

United States Patent [19]

Evans

[11] Patent Number: Des. 296,920

[45] Date of Patent: ** Jul. 26, 1988

[54] LAWN SPRINKLER

[75] Inventor: Bryn Evans, Buckinghamshire, England

[73] Assignee: Hozelock-Asl Limited, Aylesbury, England

[**] Term: 14 Years

[21] Appl. No.: 767,502

[22] Filed: Aug. 20, 1985

[30] Foreign Application Priority Data

Feb. 22, 1985 [GB] United Kingdom 1025196
[52] U.S. Cl. D23/220; D23/214
[58] Field of Search D23/6-8;
239/205, 214.15, 222.13, 225.1, 231, 247, 248,
390-392

[56] References Cited

U.S. PATENT DOCUMENTS

D. 200,041 1/1965 Boyd D23/7
D. 253,904 1/1980 Clearman D23/7

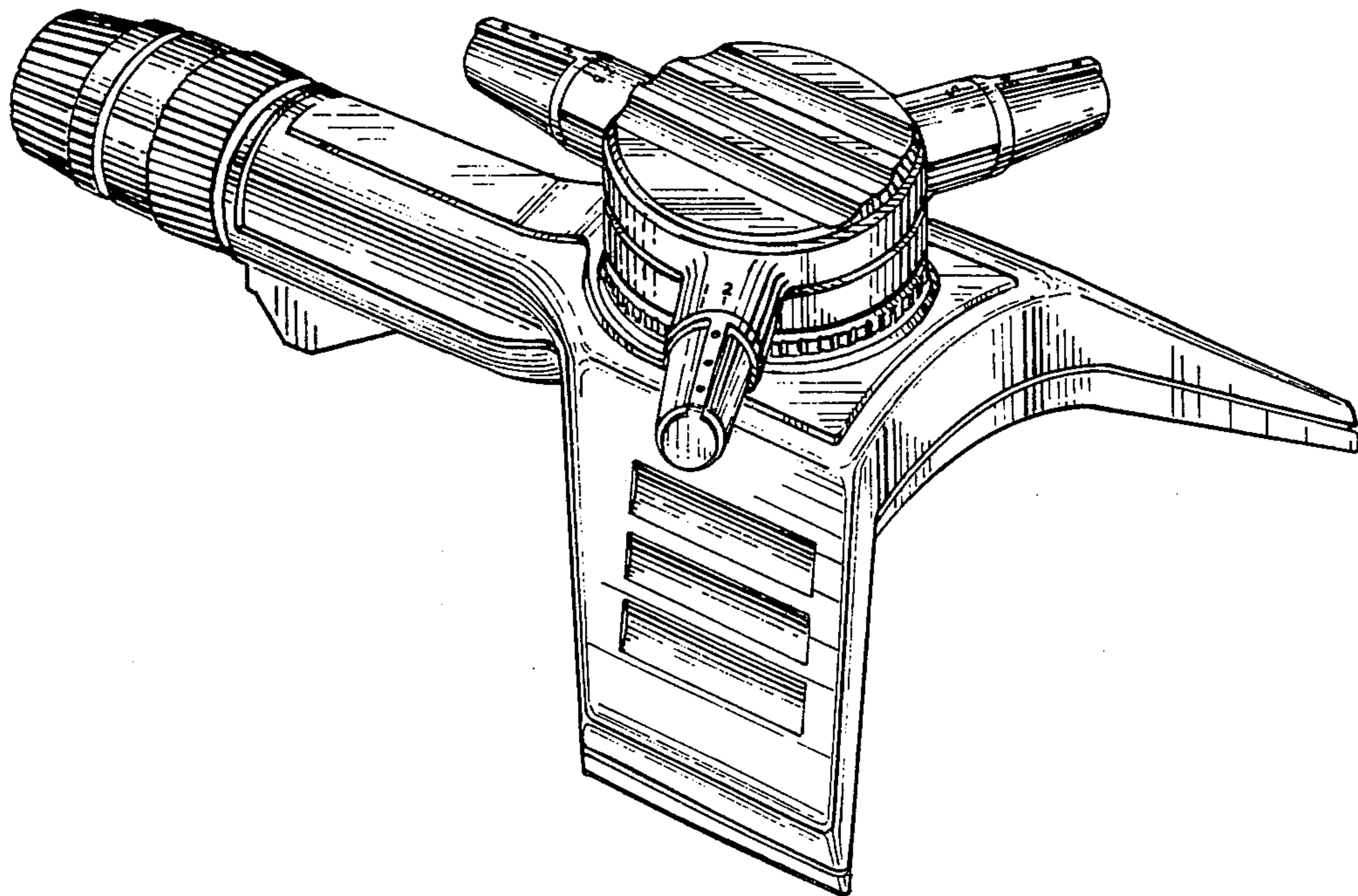
Primary Examiner—Wallace R. Burke
Assistant Examiner—Brian N. Vinson
Attorney, Agent, or Firm—Lee & Smith

[57] CLAIM

The ornamental design for a lawn sprinkler, as shown and described.

DESCRIPTION

FIG. 1 is a top plan view of a lawn sprinkler showing my new design;
FIG. 2 is a bottom plan view thereof;
FIG. 3 is a right side elevational view thereof, the left side being a mirror image;
FIG. 4 is a front end elevational view thereof;
FIG. 5 is a rear end elevational view thereof; and
FIG. 6 is a top, rear and right side perspective view thereof.



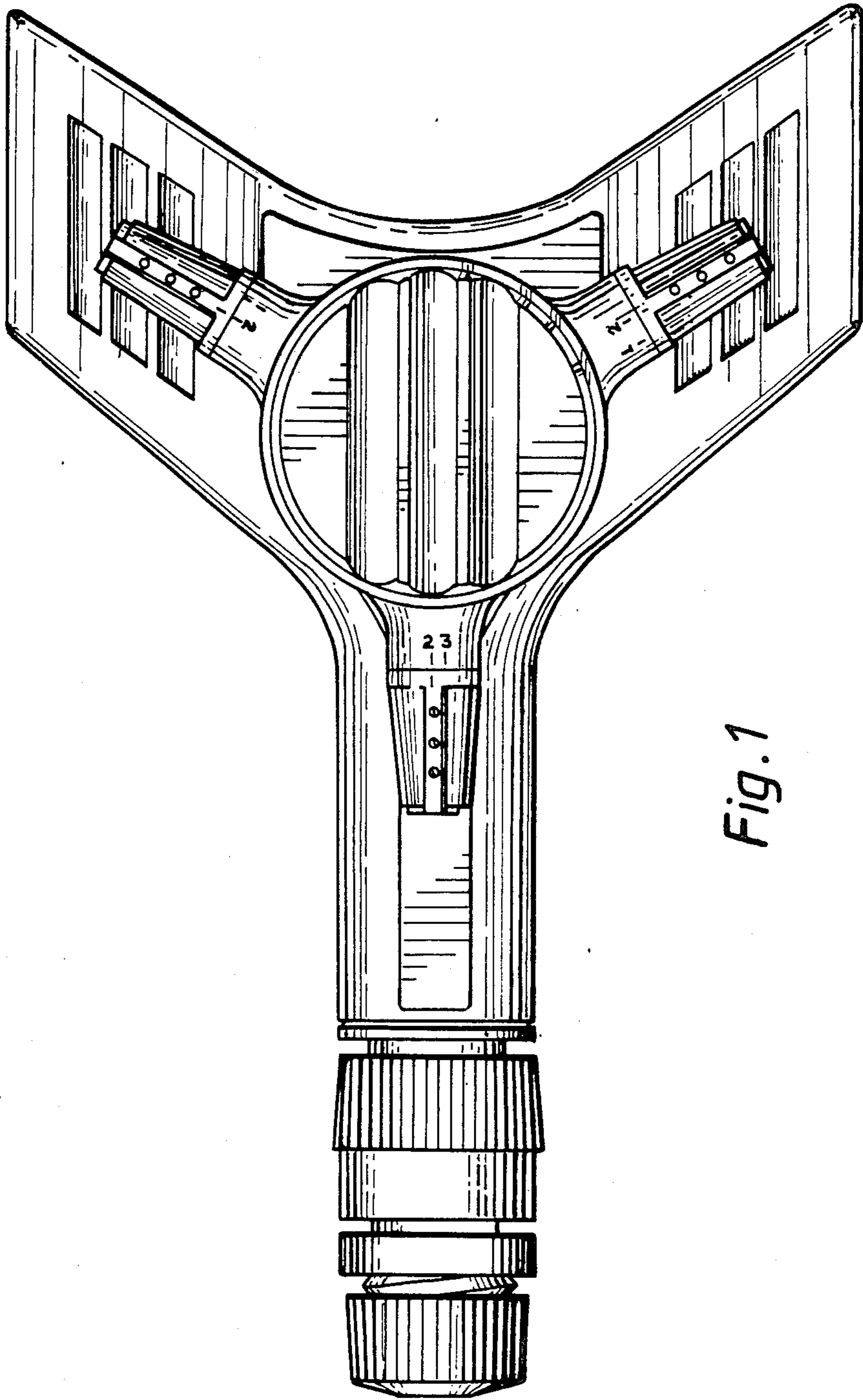


Fig. 1

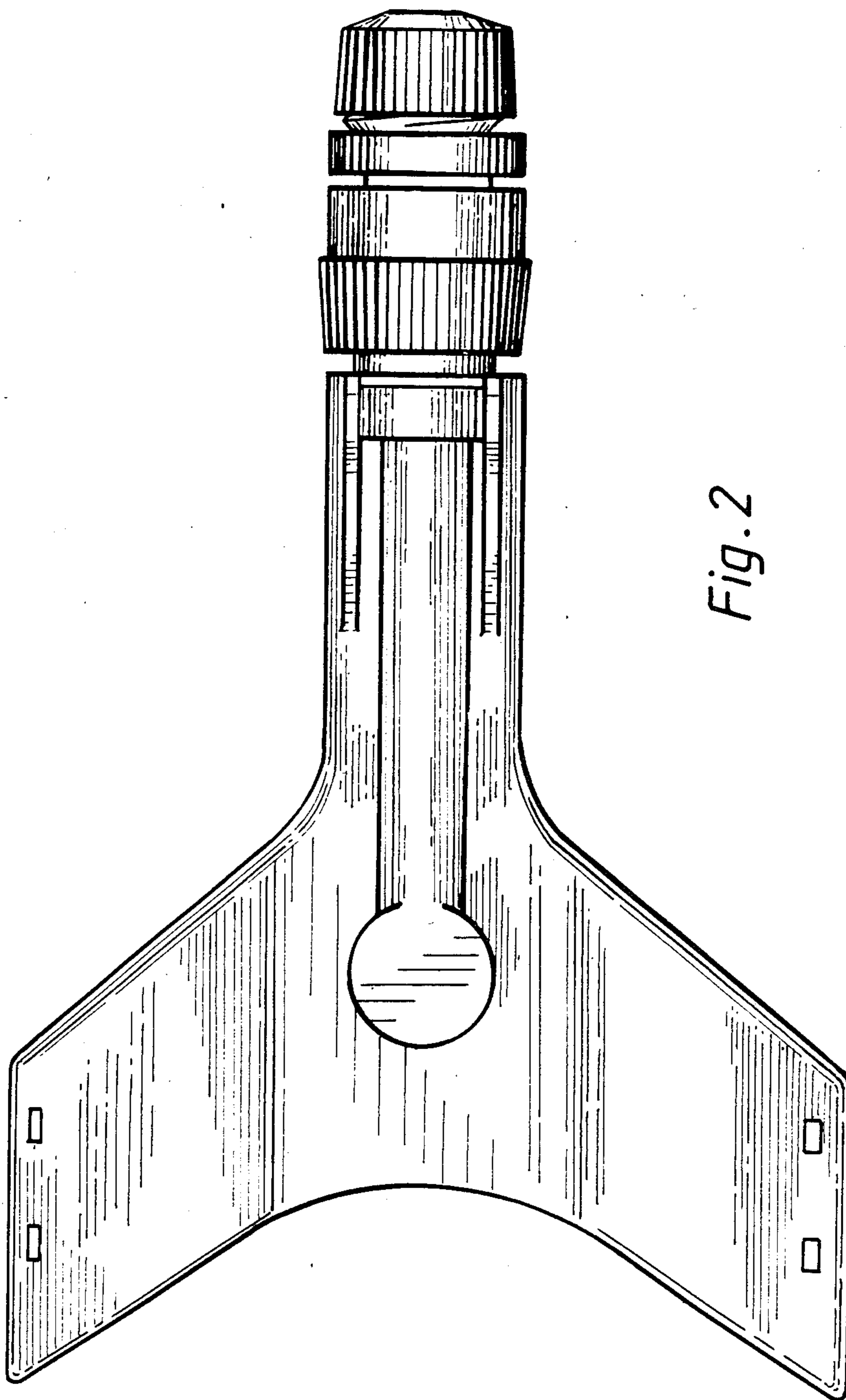


Fig. 2

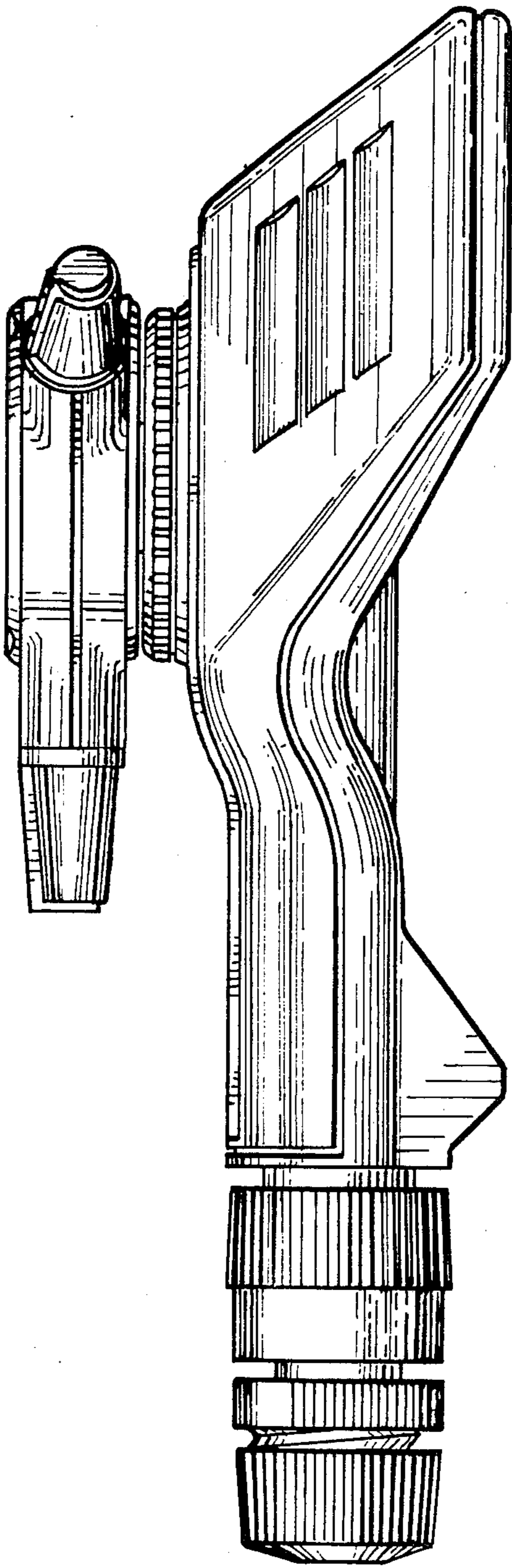


Fig. 3

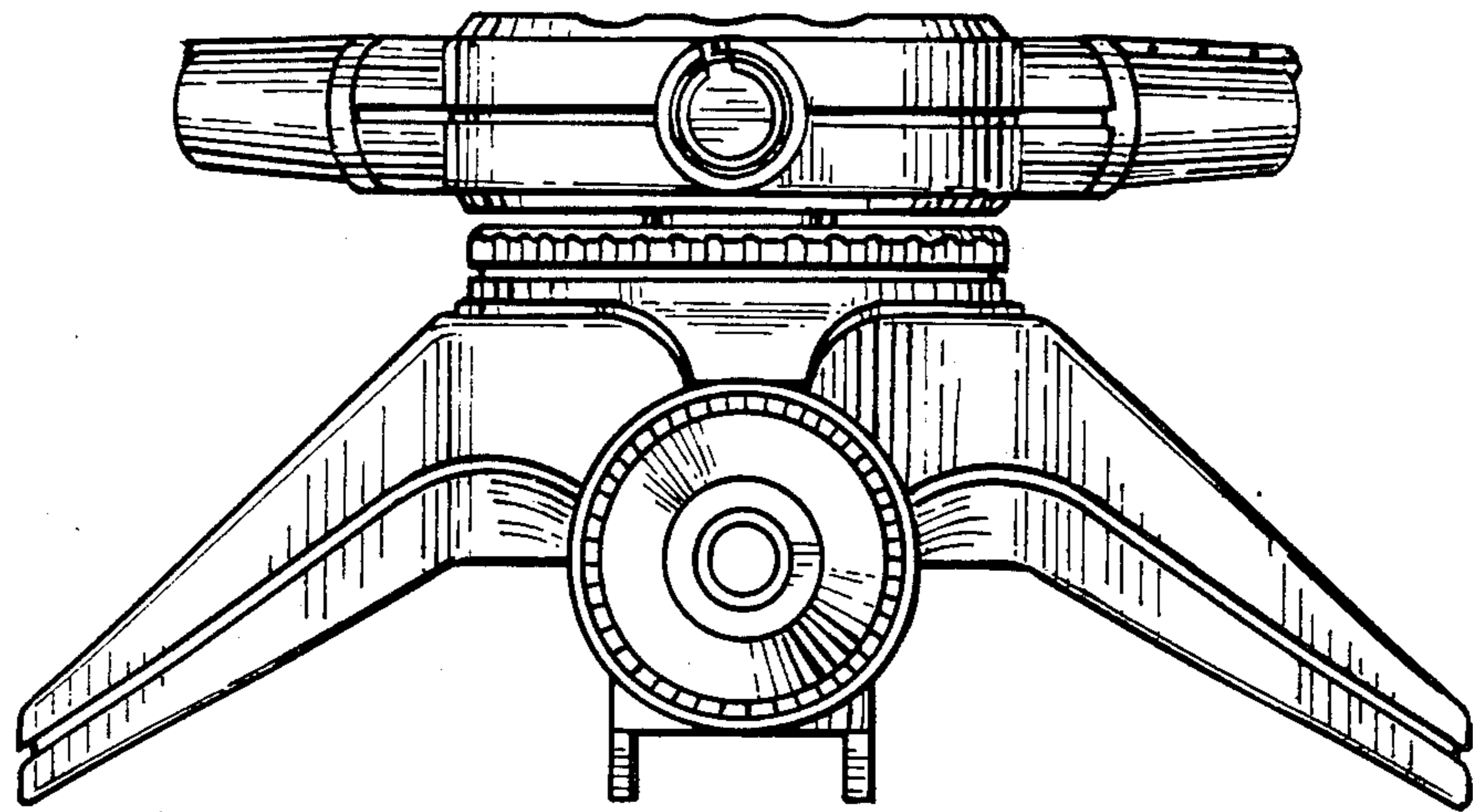


Fig. 4

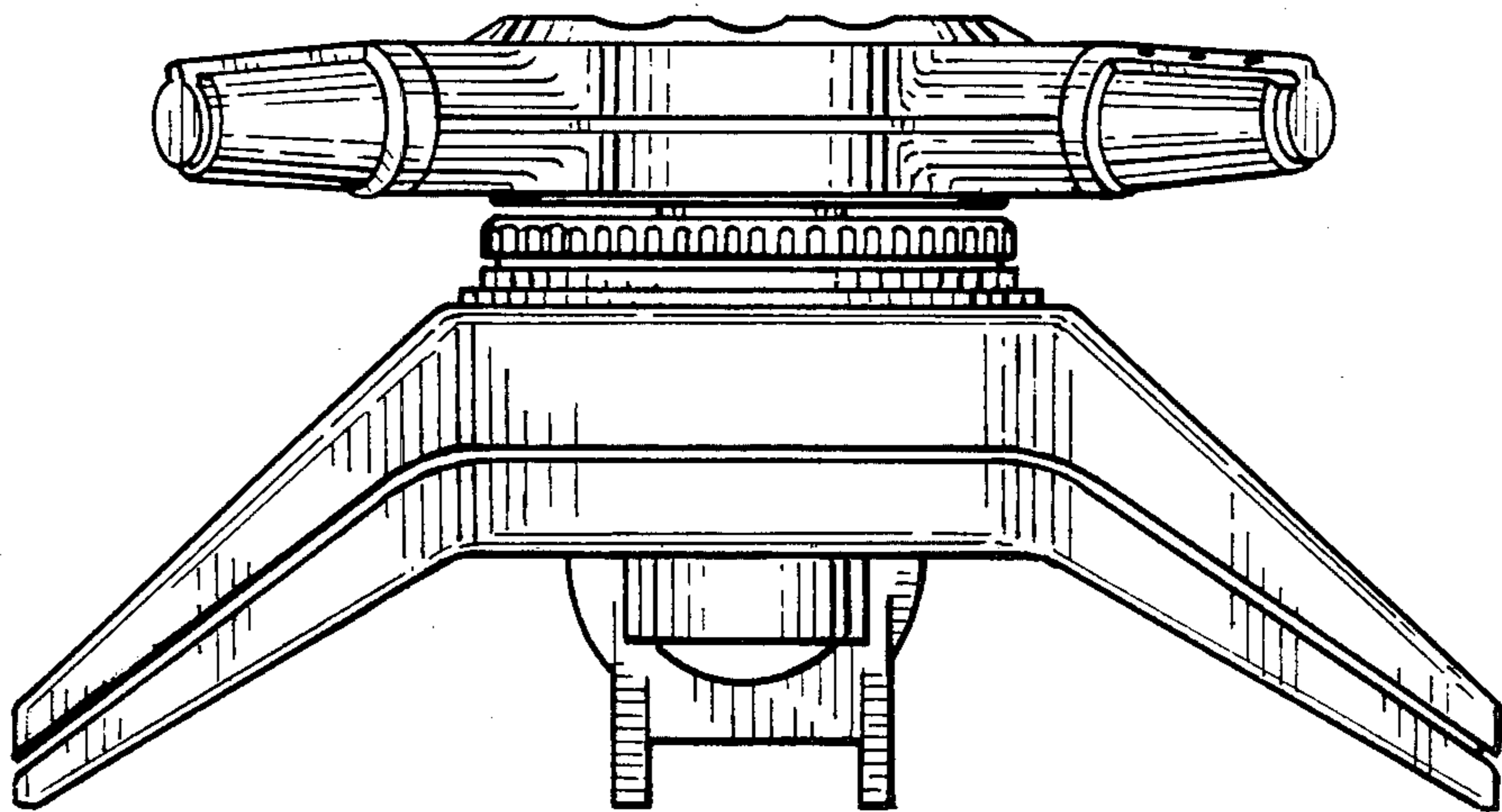


Fig. 5

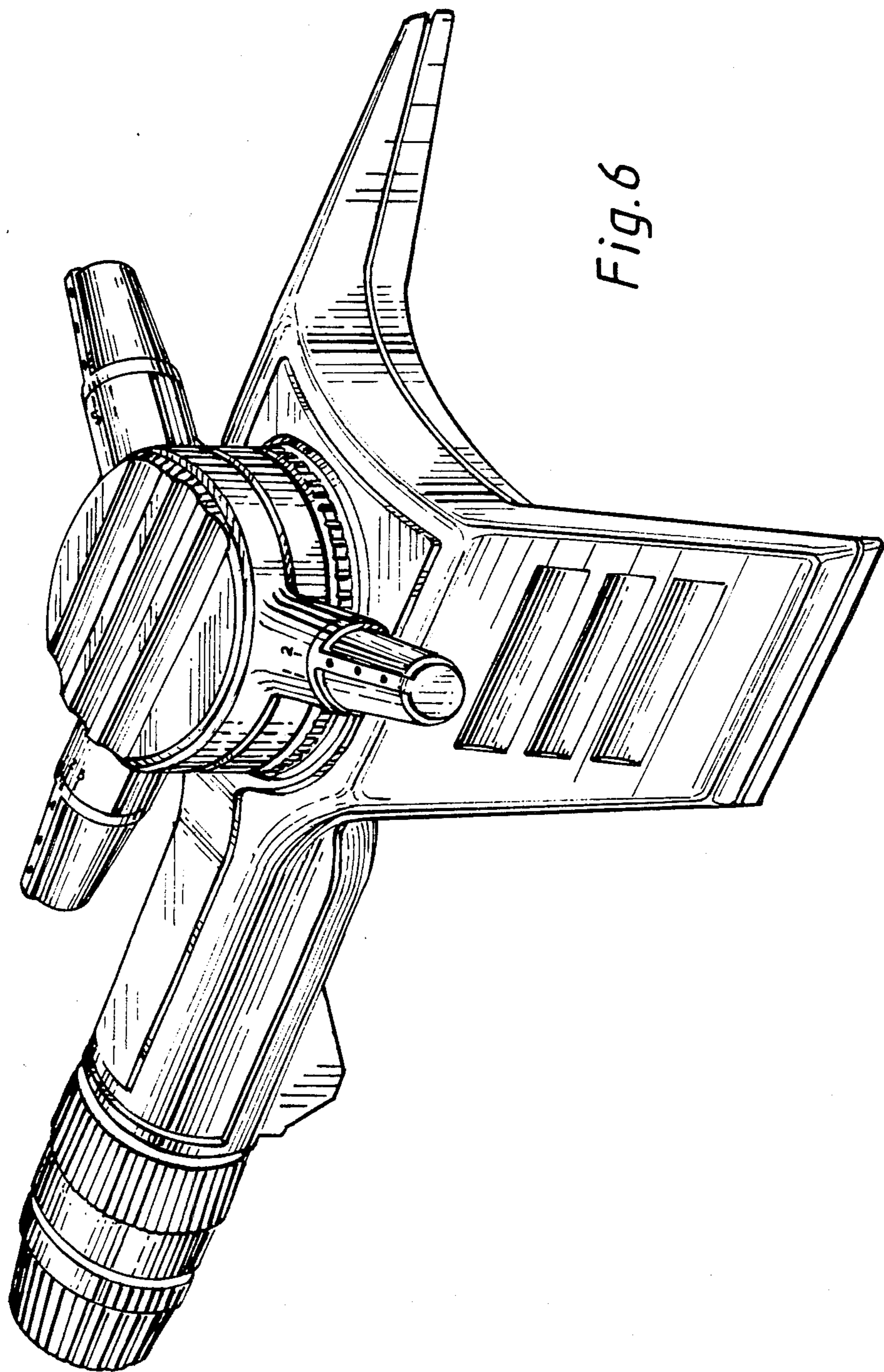


Fig. 6