

[54] ADJUSTABLE DIVER'S BELT

[75] Inventors: Mark Faulconer, Costa Mesa; Scott E. Greatrake, Fountain Valley, both of Calif.

[73] Assignee: U.S.D. Corp., Santa Ana, Calif.

[**] Term: 14 Years

[21] Appl. No.: 782,983

[22] Filed: Oct. 2, 1985

[52] U.S. Cl. D21/238

[58] Field of Search D21/236, 237, 238; 405/186, 185; 182/3

[56] References Cited

U.S. PATENT DOCUMENTS

- D. 222,511 10/1971 Ventre D21/238
- 3,049,735 8/1962 Baker D21/238

- 3,487,474 1/1970 De Meo 182/3
- 3,713,299 1/1973 Duncan 405/186
- 4,440,525 4/1984 Perla 405/186

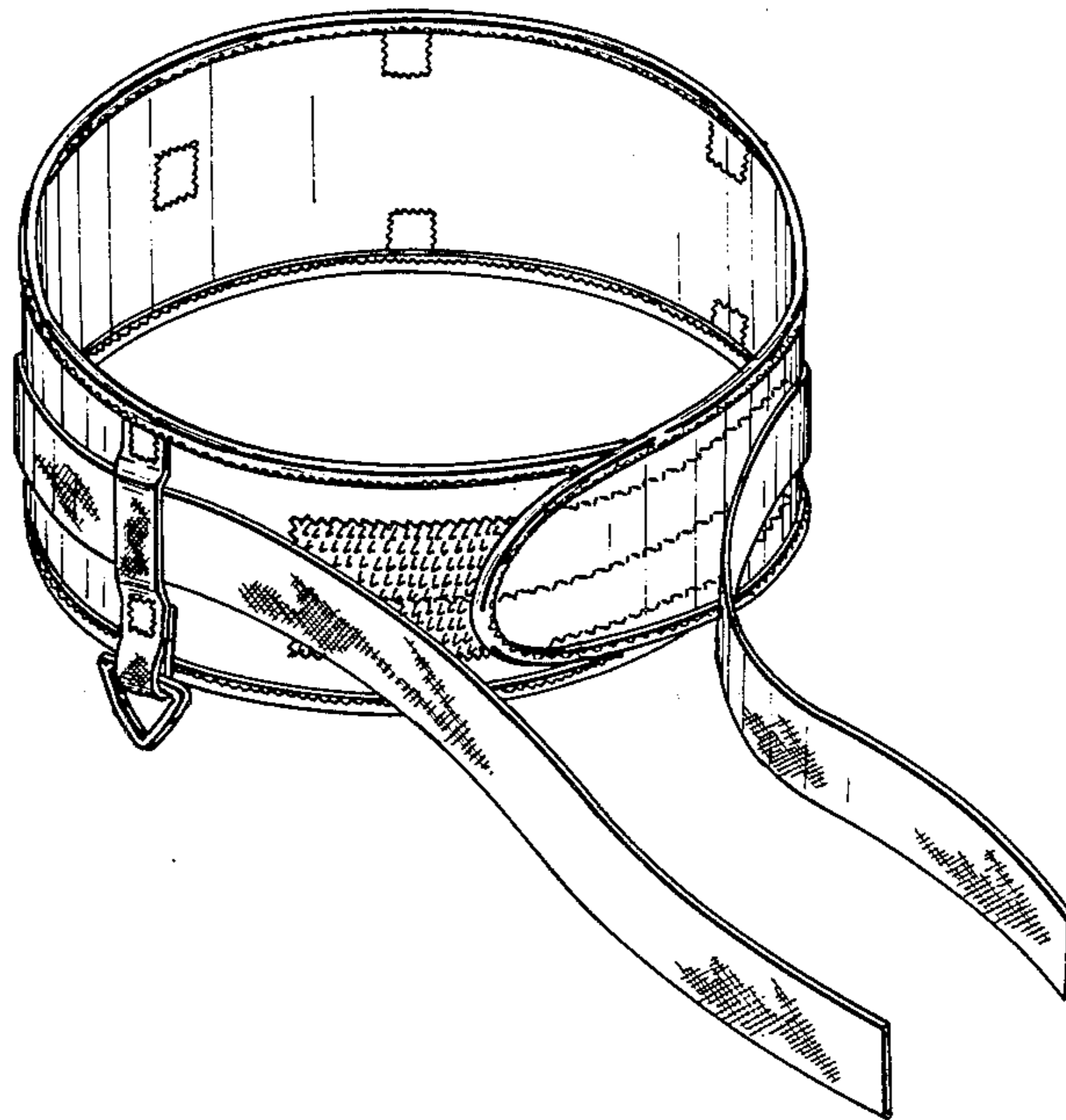
Primary Examiner—Wallace R. Burke
Assistant Examiner—Kay H. Chin
Attorney, Agent, or Firm—George F. Bethel; Patience K. Bethel

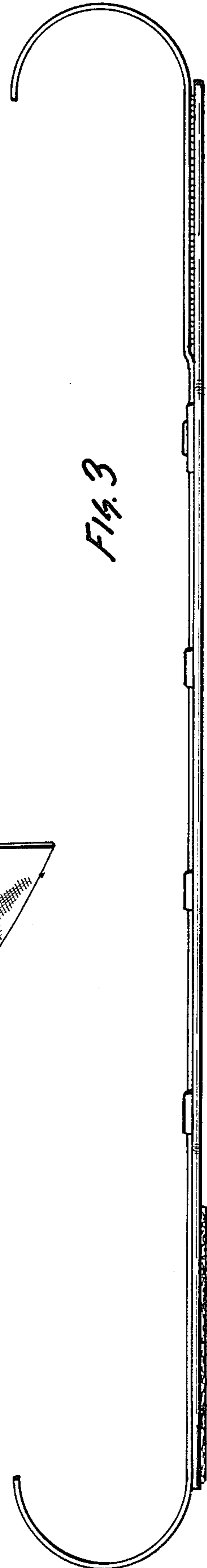
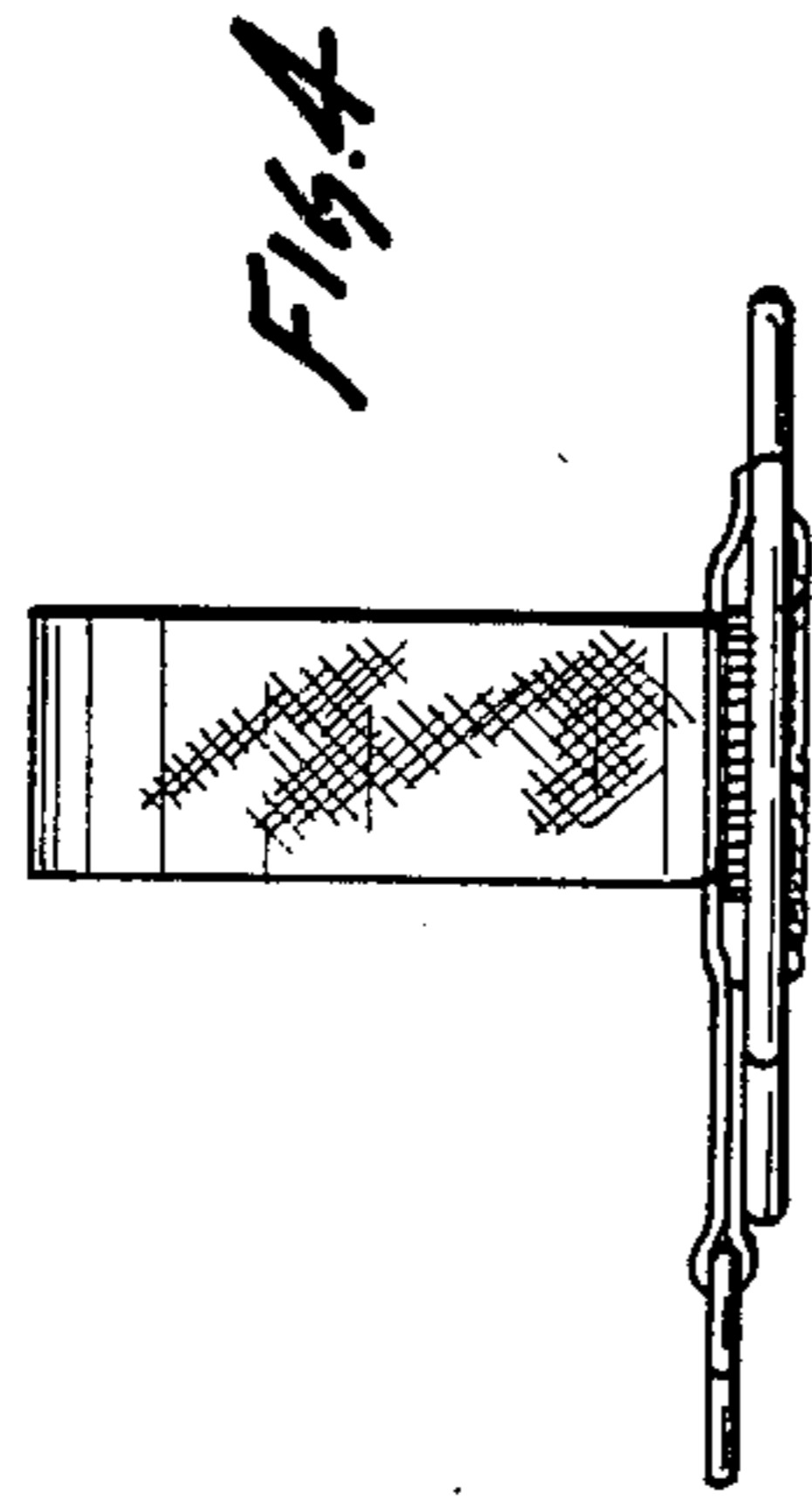
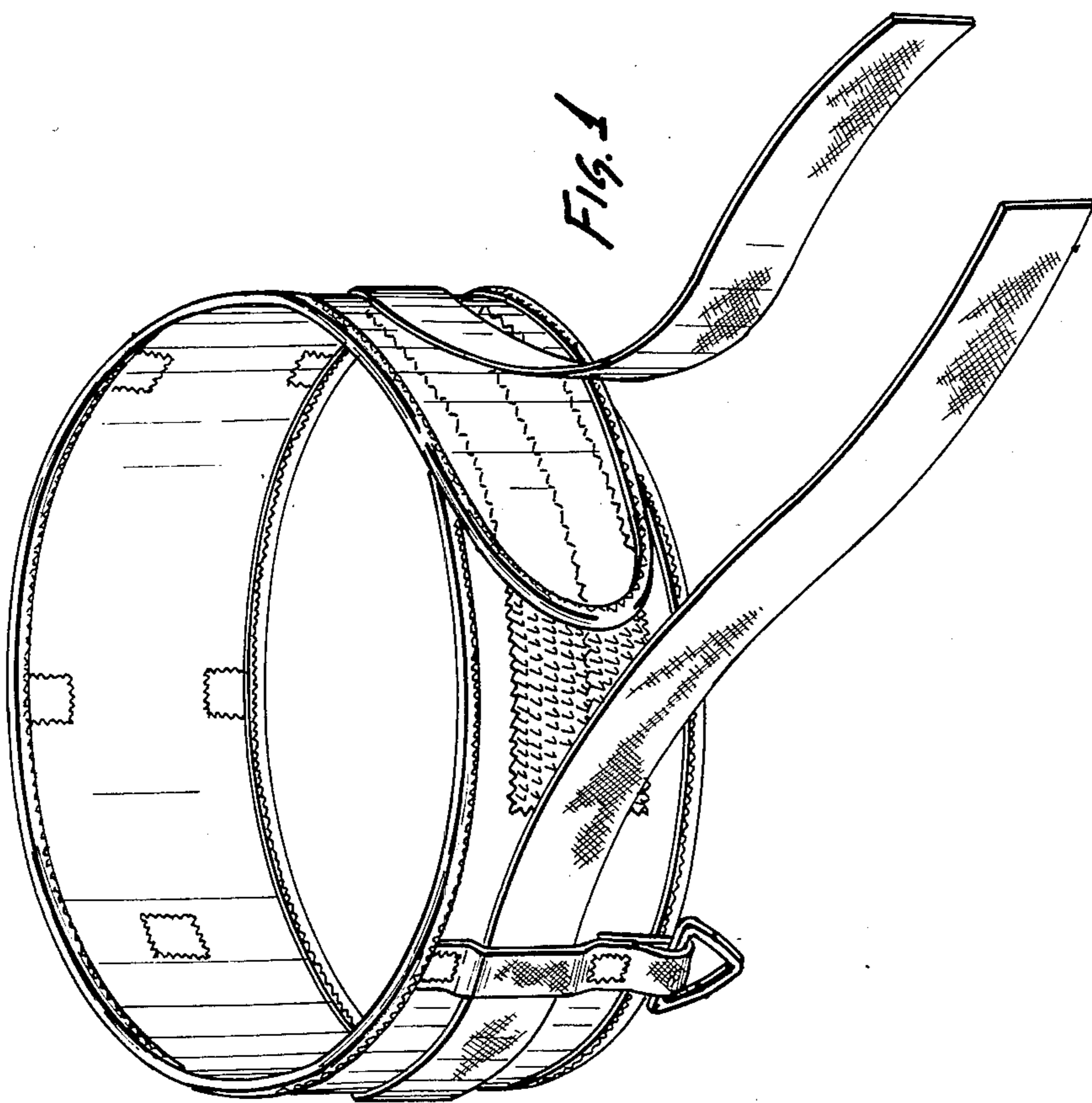
[57] CLAIM

The ornamental design for an adjustable diver's belt, substantially as shown and described.

DESCRIPTION

FIG. 1 is a perspective view of an adjustable diver's belt showing our new design;
FIG. 2 is a top plan view thereof, showing the belt in open condition;
FIG. 3 is a front elevational view of FIG. 2;
FIG. 4 is a right side elevational view of FIG. 2; and
FIG. 5 is a bottom plan view of FIG. 2.





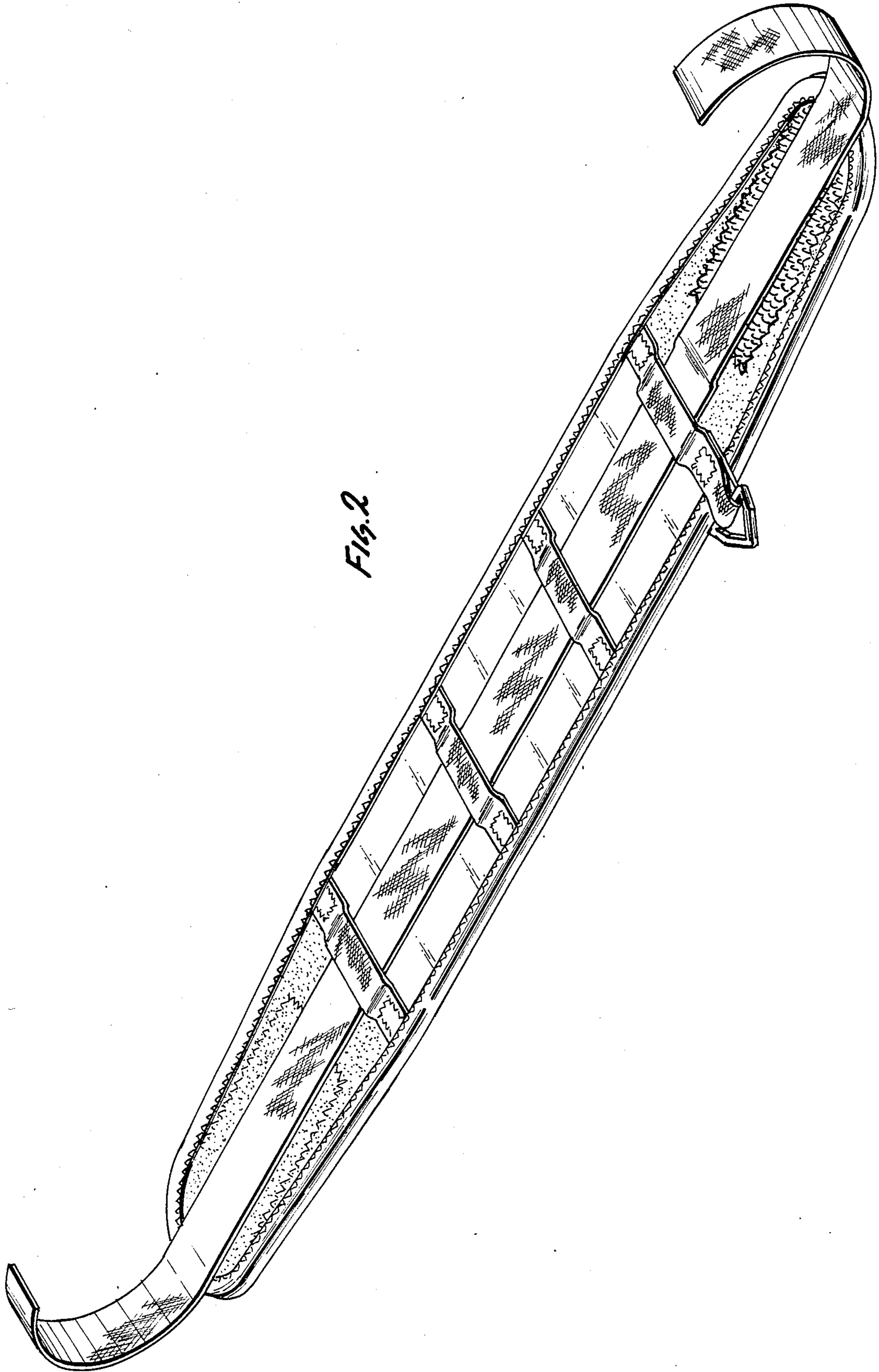


Fig. 2

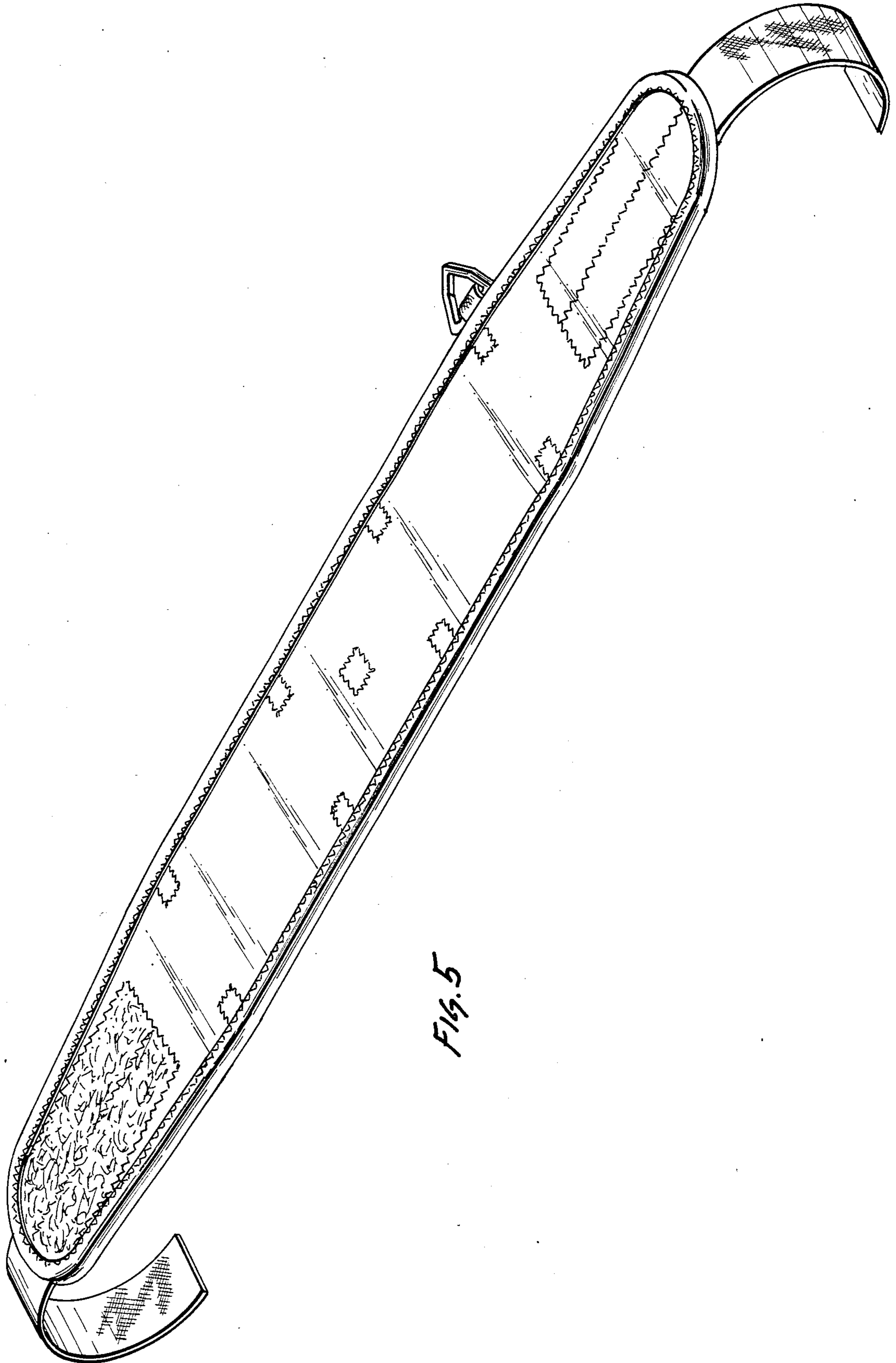


Fig. 5