

[54] RECONFIGURABLE TOY CASSETTE

[75] Inventor: Takahashi Matsuda, Tokyo, Japan

[73] Assignee: Takara Co., Ltd., Tokyo, Japan

[**] Term: 14 Years

[21] Appl. No.: 806,189

[22] Filed: Nov. 22, 1985

[30] Foreign Application Priority Data

Aug. 10, 1985 [JP] Japan 60-34301

[52] U.S. Cl. D21/150; D21/111; D21/166

[58] Field of Search D21/109-112, D21/150, 159, 59, 166; 446/71-75, 76, 80, 487; D14/11

[56] References Cited

U.S. PATENT DOCUMENTS

- D. 283,336 4/1986 Matsuda D21/150
- D. 285,464 9/1986 Koizumi D21/150
- 4,411,097 10/1983 Murakami D21/150

Primary Examiner—Charles A. Rademaker
Attorney, Agent, or Firm—Price, Gess & Ubell

[57] CLAIM

The ornamental design for a reconfigurable toy cassette, as shown and described.

DESCRIPTION

FIG. 1 is a front perspective view of a reconfigurable toy cassette, showing my new design;
 FIG. 2 is a front elevational view thereof;
 FIG. 3 is a right side elevational view thereof, the side opposite being substantially a mirror image;
 FIG. 4 is a rear elevational view thereof;
 FIG. 5 is a top plan view thereof;
 FIG. 6 is a bottom plan view thereof;
 FIG. 7 is a front perspective view of the design shown in FIGS. 1 through 6 reconfigured in robotic-humanoid configuration;
 FIG. 8 is a front elevational view thereof;
 FIG. 9 is a right side elevational view thereof, the side opposite being substantially a mirror image;
 FIG. 10 is a rear elevational view thereof;
 FIG. 11 is a top plan view thereof; and
 FIG. 12 is a bottom plan view thereof.

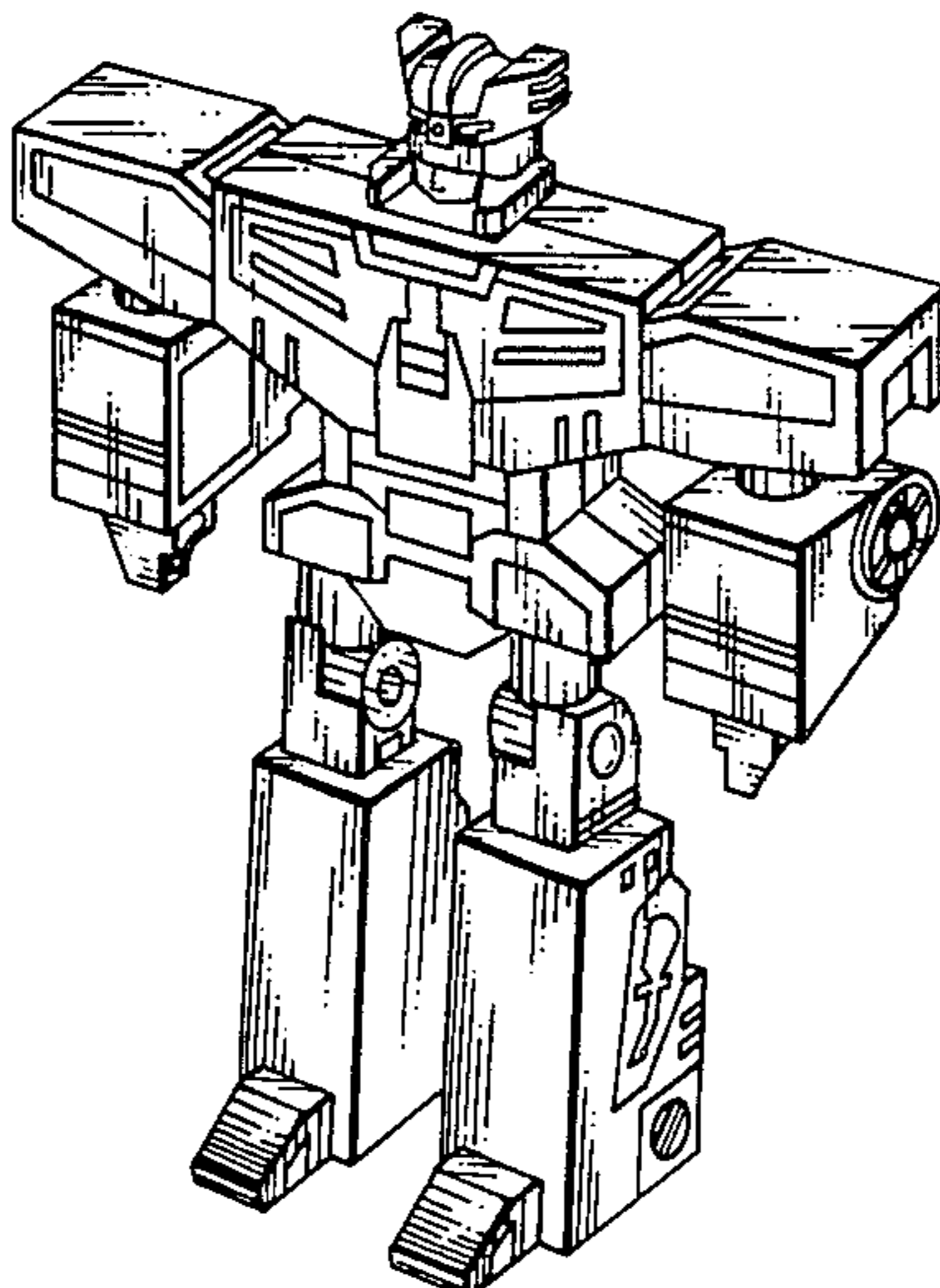
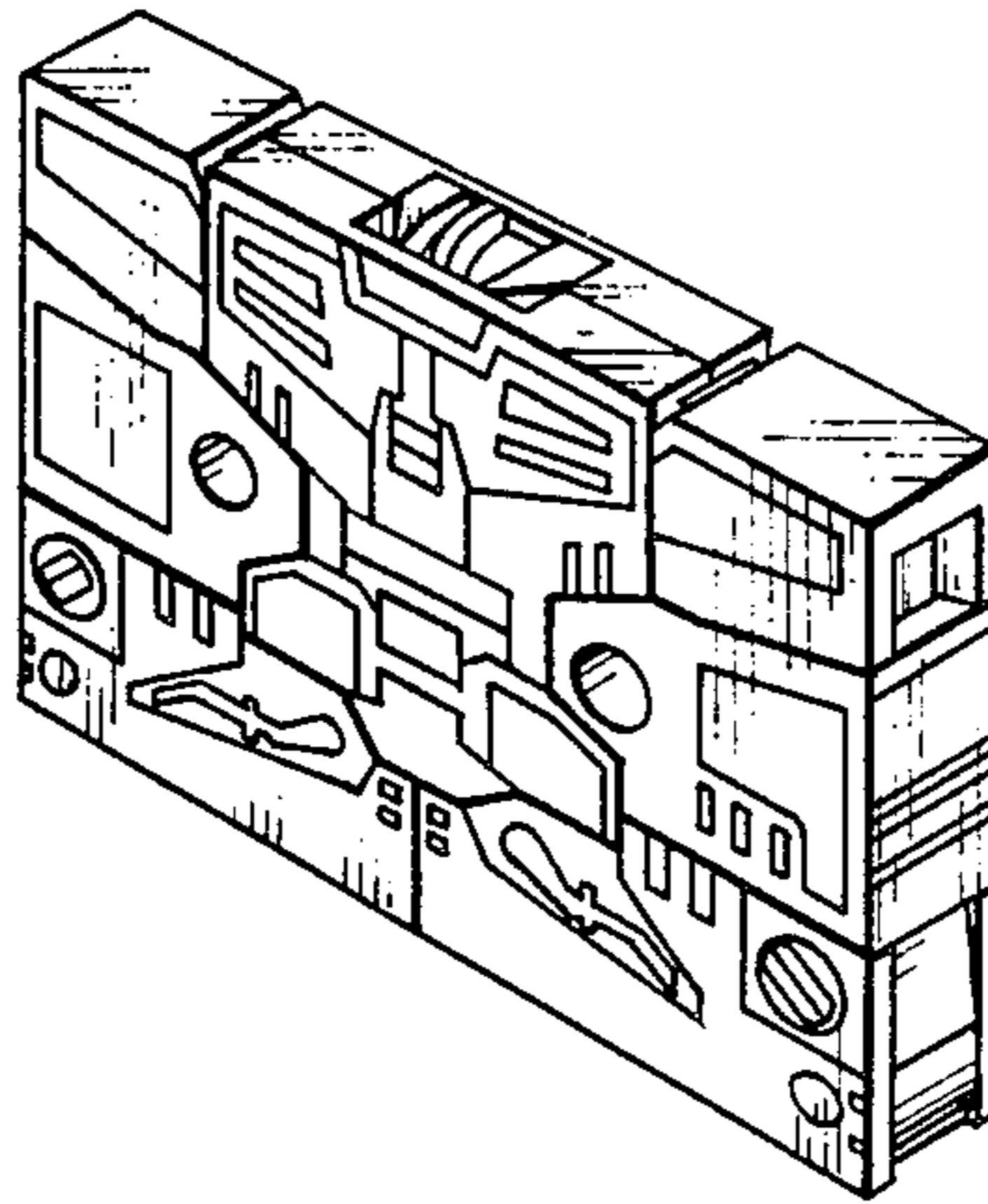


FIG. 1

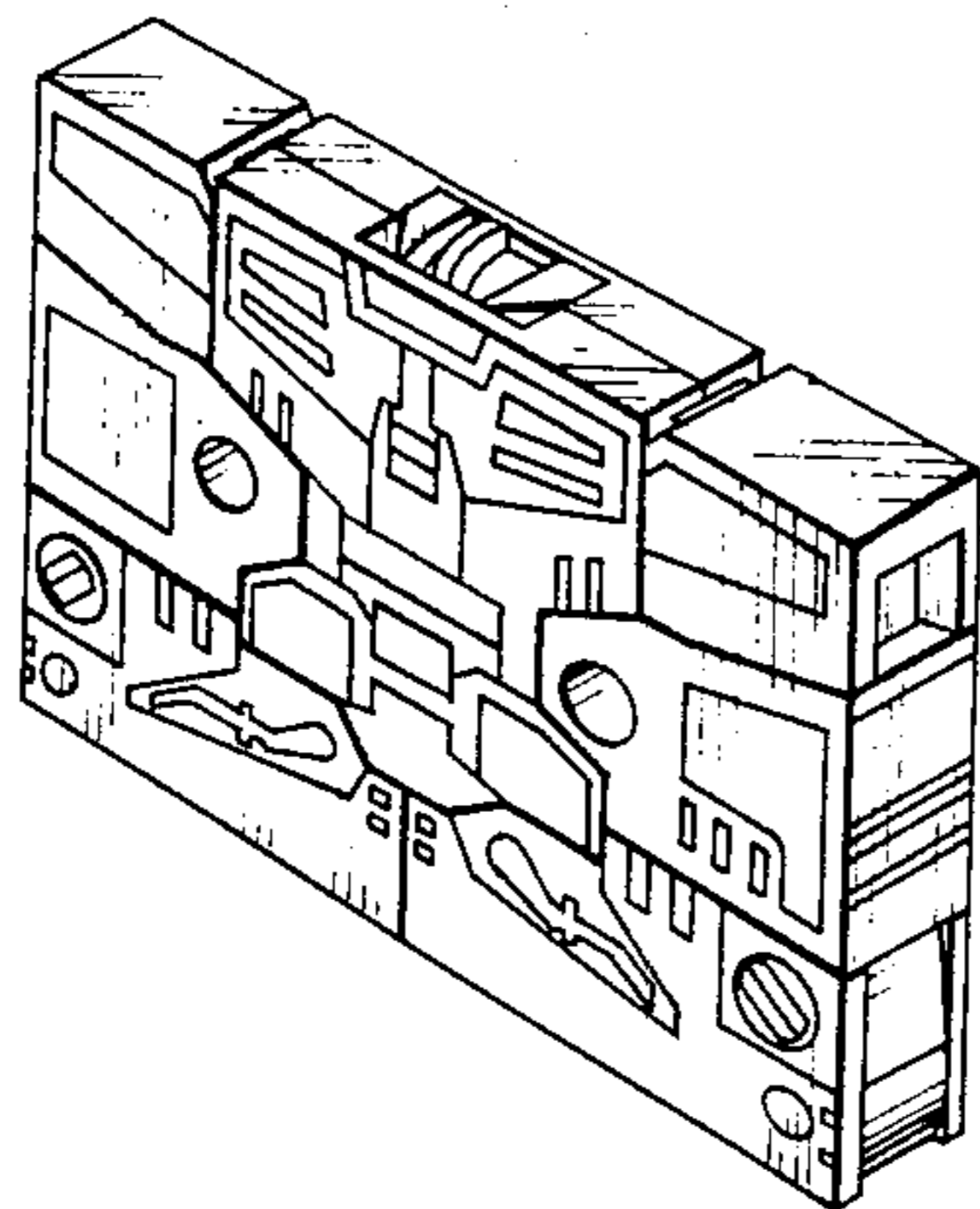


FIG. 2

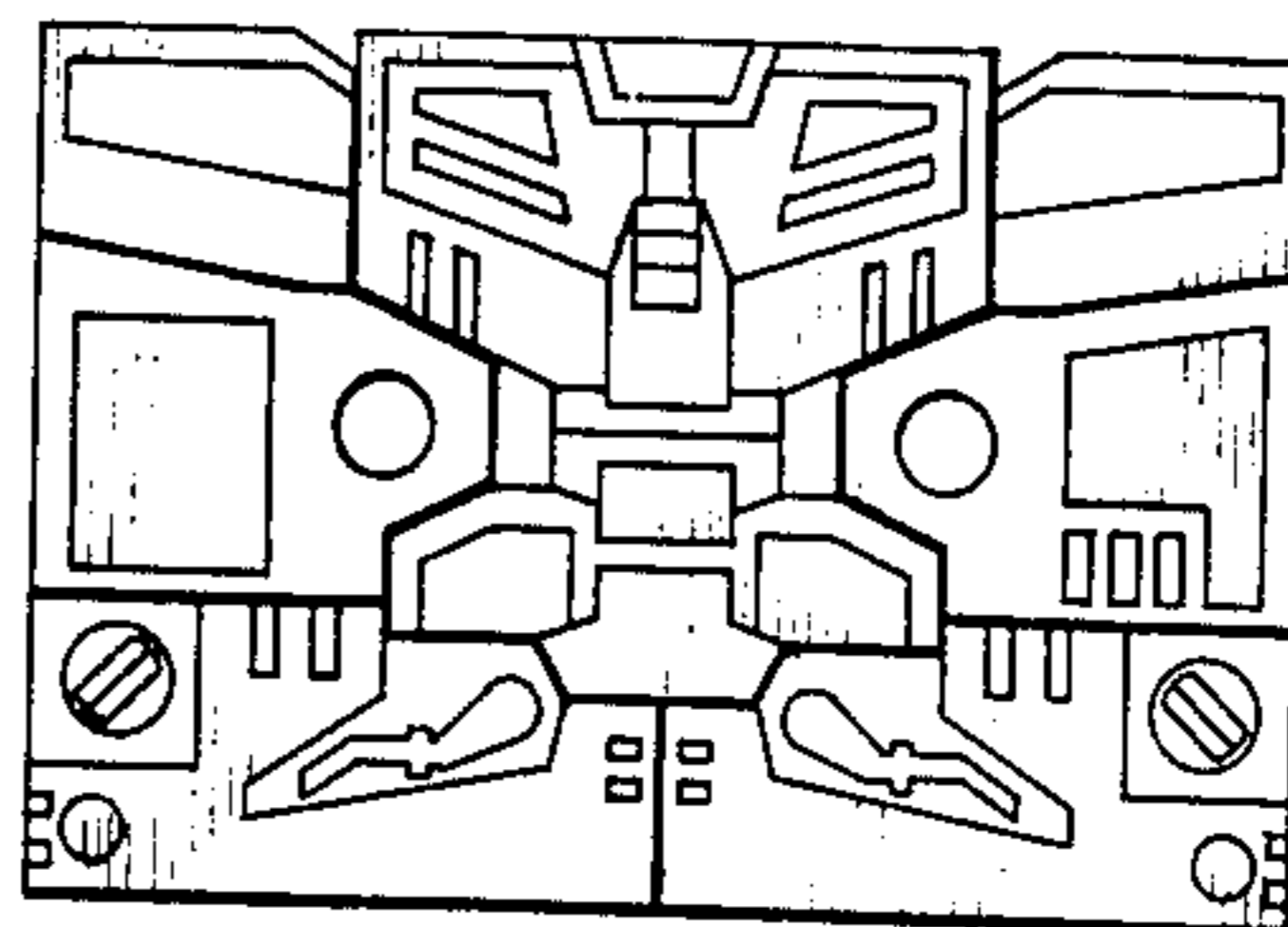


FIG. 3



FIG. 4

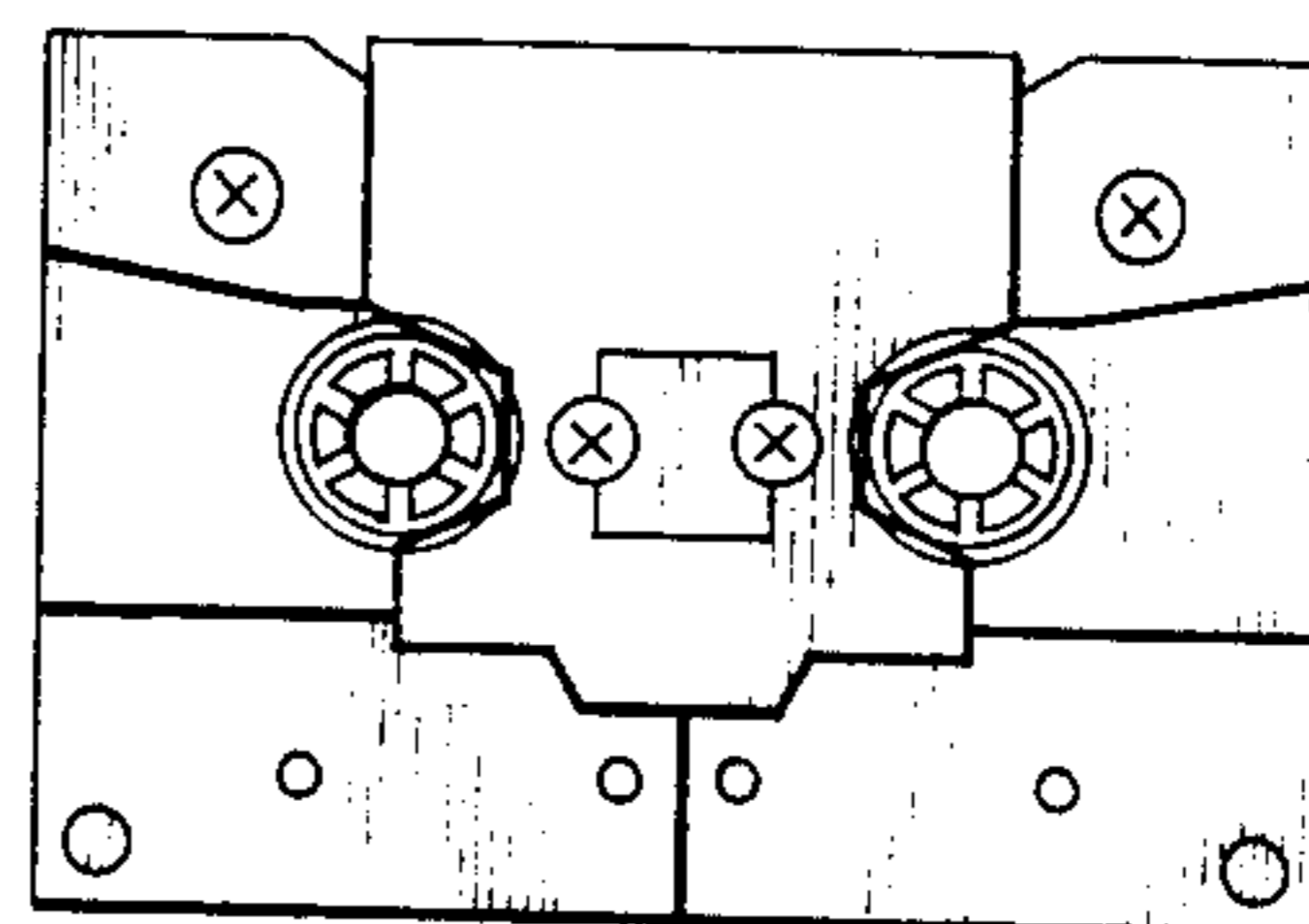


FIG. 5



FIG. 6



FIG. 7

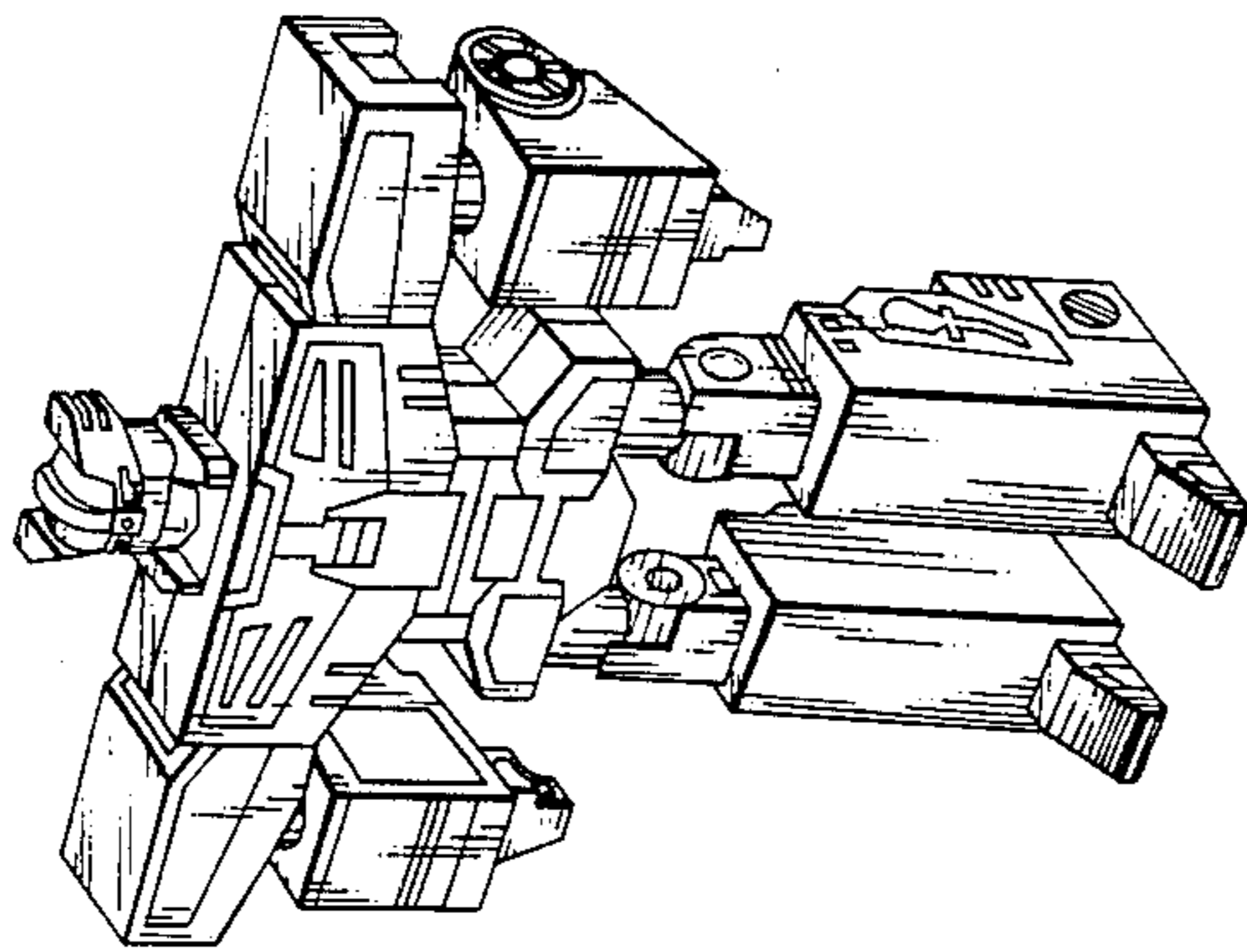


FIG. 8

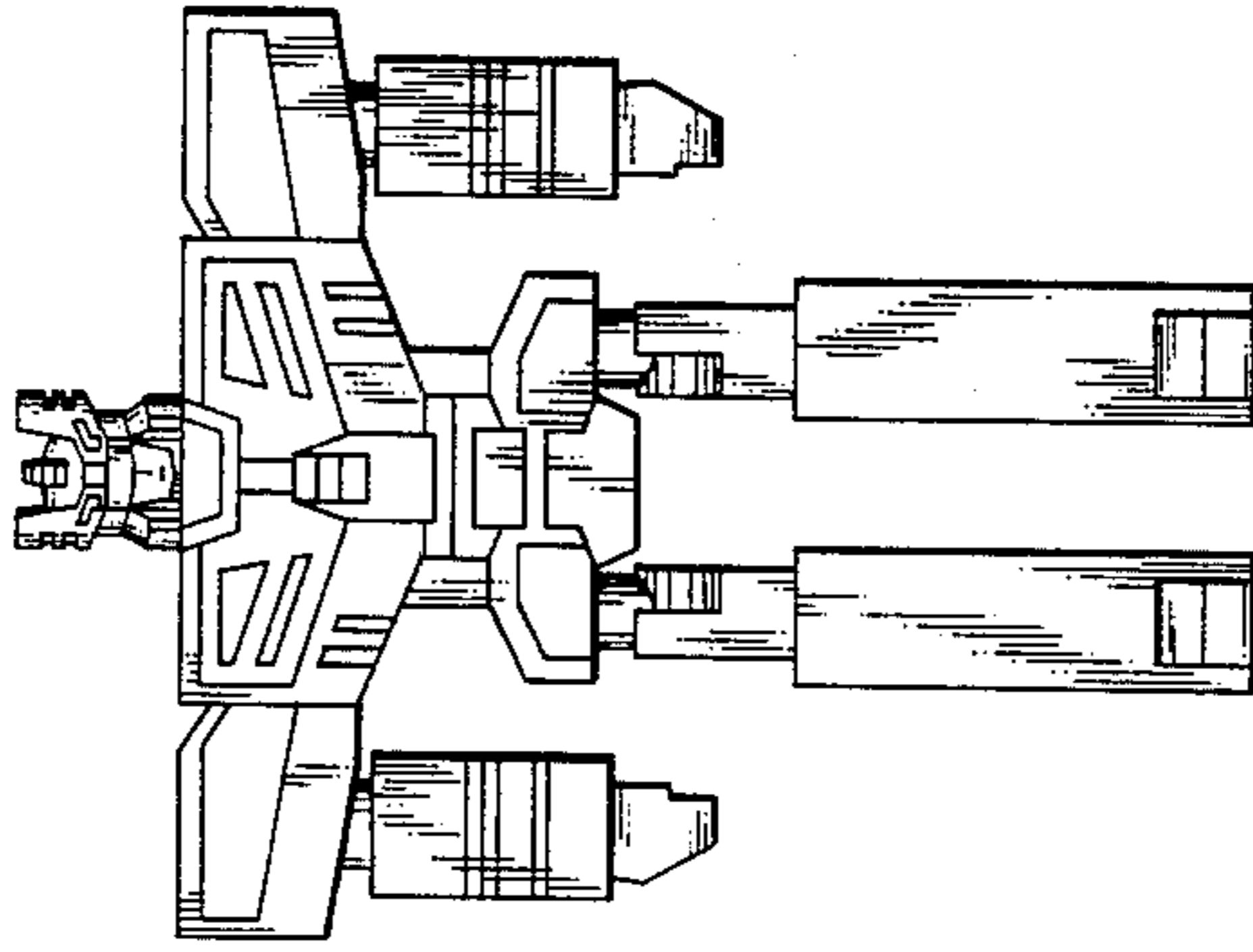


FIG. 9

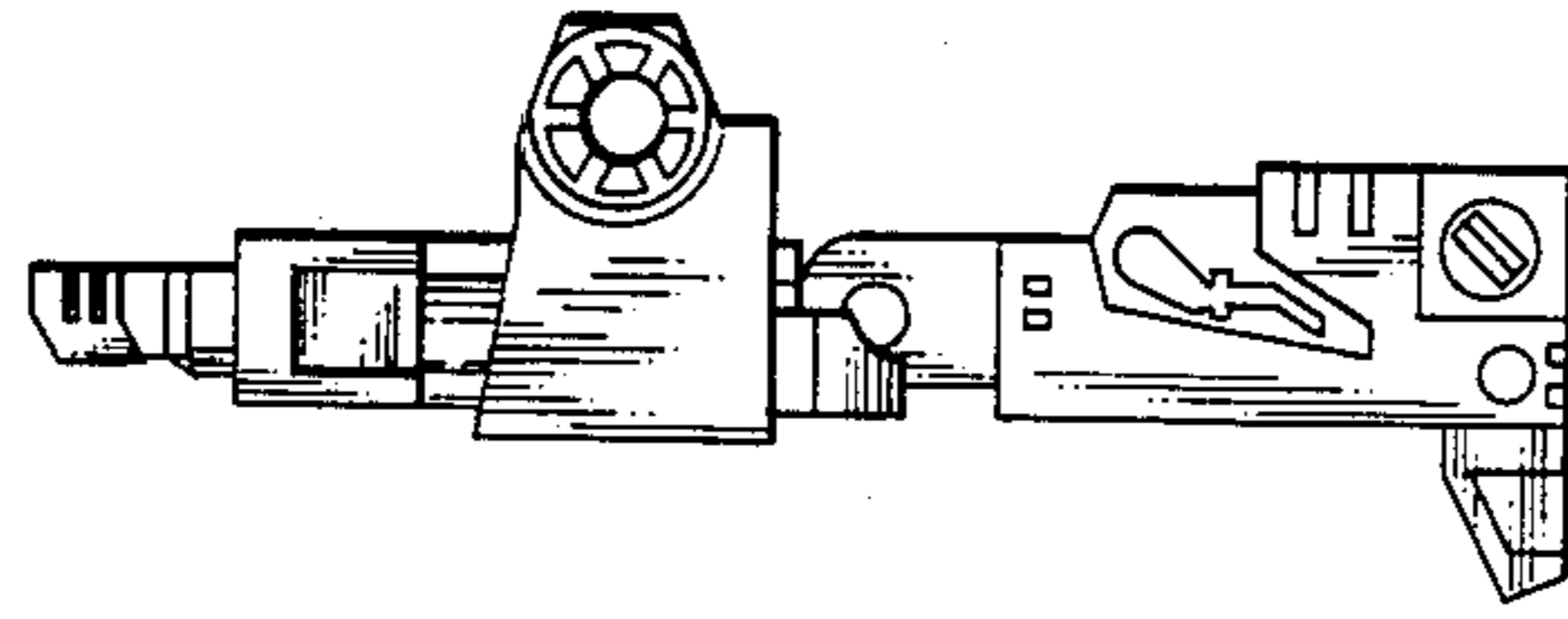


FIG. 10

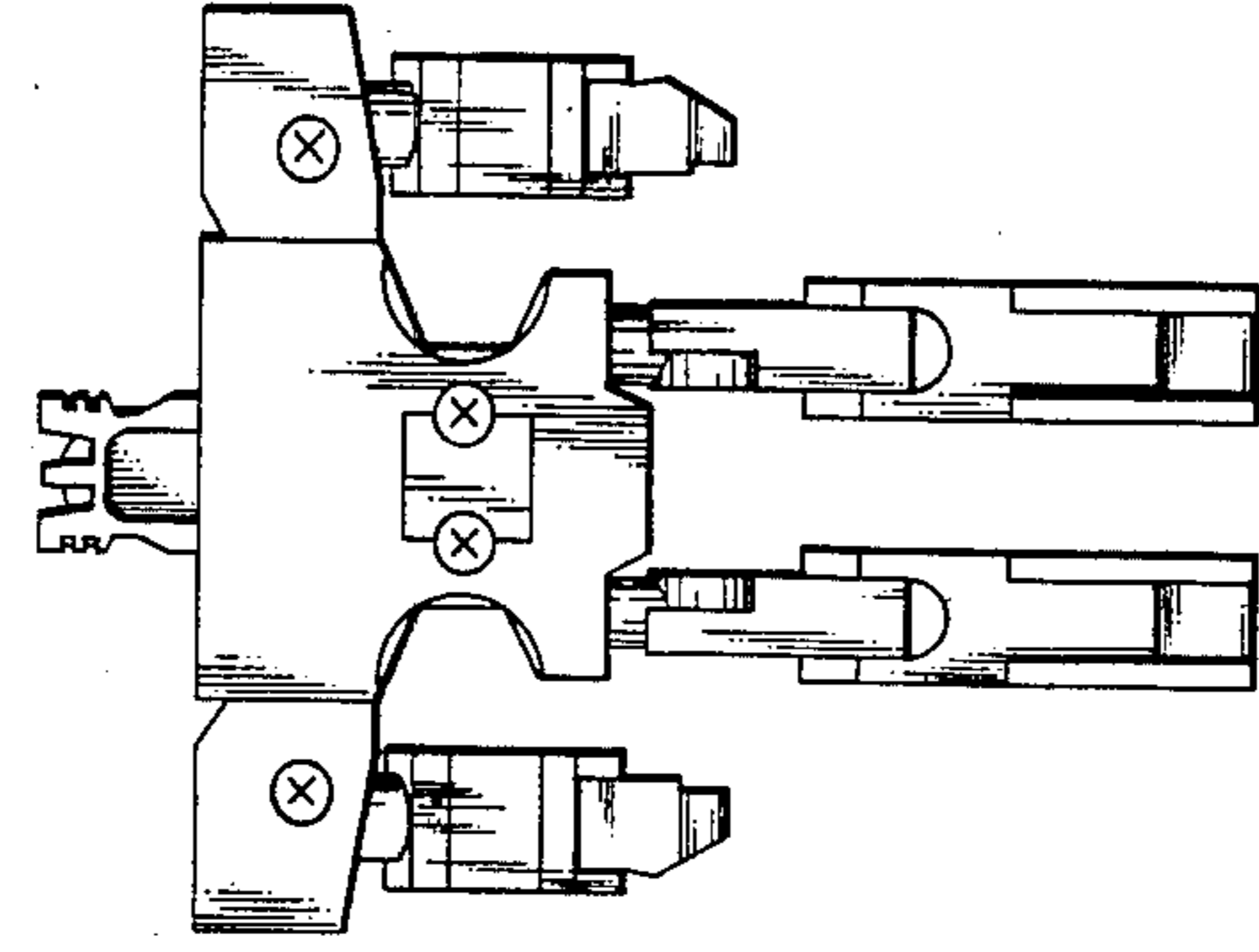


FIG. 11

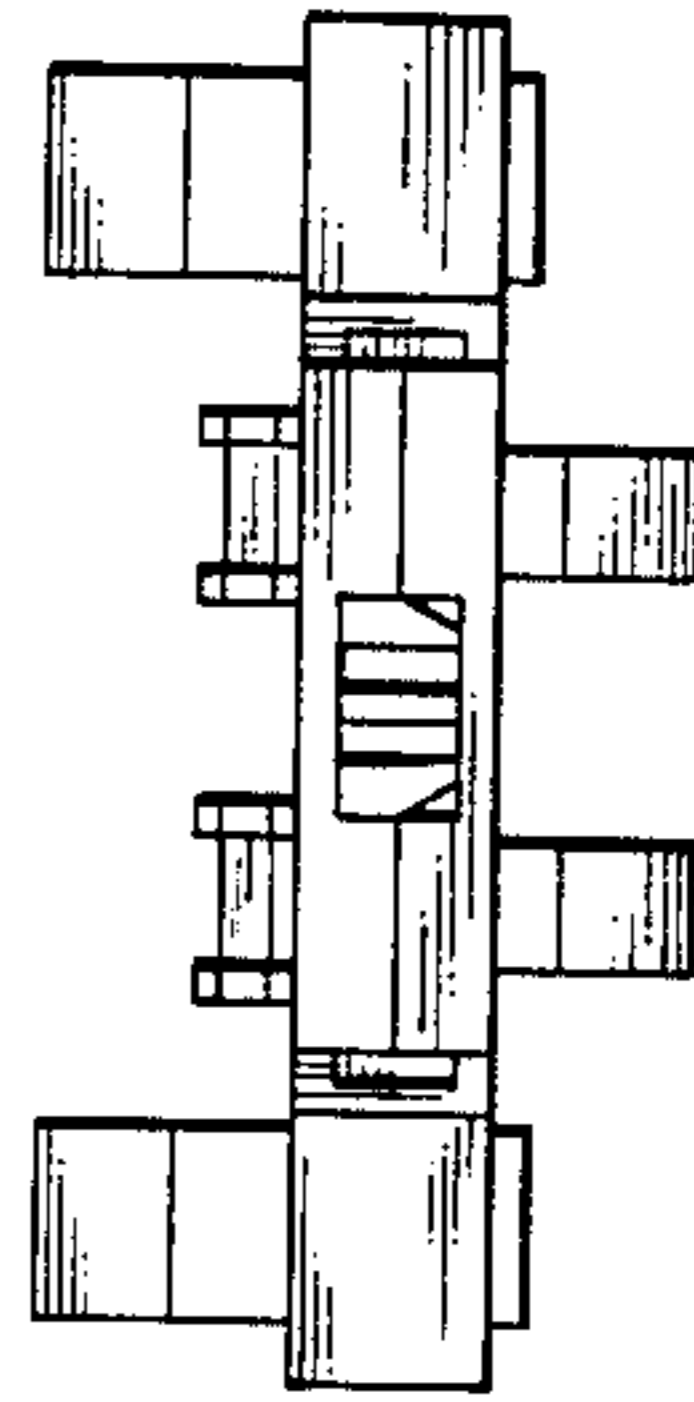


FIG. 12

