

[54] RECONFIGURABLE TOY AMBULANCE

[75] Inventor: Kaoru Matsumoto, Tokyo, Japan

[73] Assignee: Takara Co., Ltd., Tokyo, Japan

[**] Term: 14 Years

[21] Appl. No.: 806,787

[22] Filed: Dec. 9, 1985

[30] Foreign Application Priority Data

Oct. 24, 1985 [JP] Japan 60-44744

[52] U.S. Cl. D21/140; D12/99;
D21/150; D21/166

[58] Field of Search D21/128-140,
D21/150, 166; 446/72, 465, 466, 487, 78;
D12/86, 92, 90, 99

[56] References Cited

U.S. PATENT DOCUMENTS

D. 231,439	4/1974	Putnam	D12/99
D. 246,849	1/1978	Hart	D12/90
D. 279,592	7/1985	Ogawa	D21/150
D. 289,908	5/1987	Nagano	D21/150

Primary Examiner—Charles A. Rademaker
Attorney, Agent, or Firm—Price, Gess & Ubell

[57] CLAIM

The ornamental design for a reconfigurable toy ambulance, as shown and described.

DESCRIPTION

FIG. 1 is a front perspective view of a reconfigurable toy ambulance showing my new design;
 FIG. 2 is a front elevational view thereof;
 FIG. 3 is a side elevational view thereof, the side opposite being substantially a mirror image;
 FIG. 4 is a rear elevational view thereof;
 FIG. 5 is a top plan view thereof;
 FIG. 6 is a bottom plan view thereof;
 FIG. 7 is a front perspective view of the design shown in FIGS. 1 through 6 reconfigured in a robotic humanoid configuration;
 FIG. 8 is a front elevational view thereof;
 FIG. 9 is a side elevational view thereof, the side opposite being substantially a mirror image;
 FIG. 10 is a rear elevational view thereof;
 FIG. 11 is a top plan view thereof;
 FIG. 12 is a bottom plan view thereof.

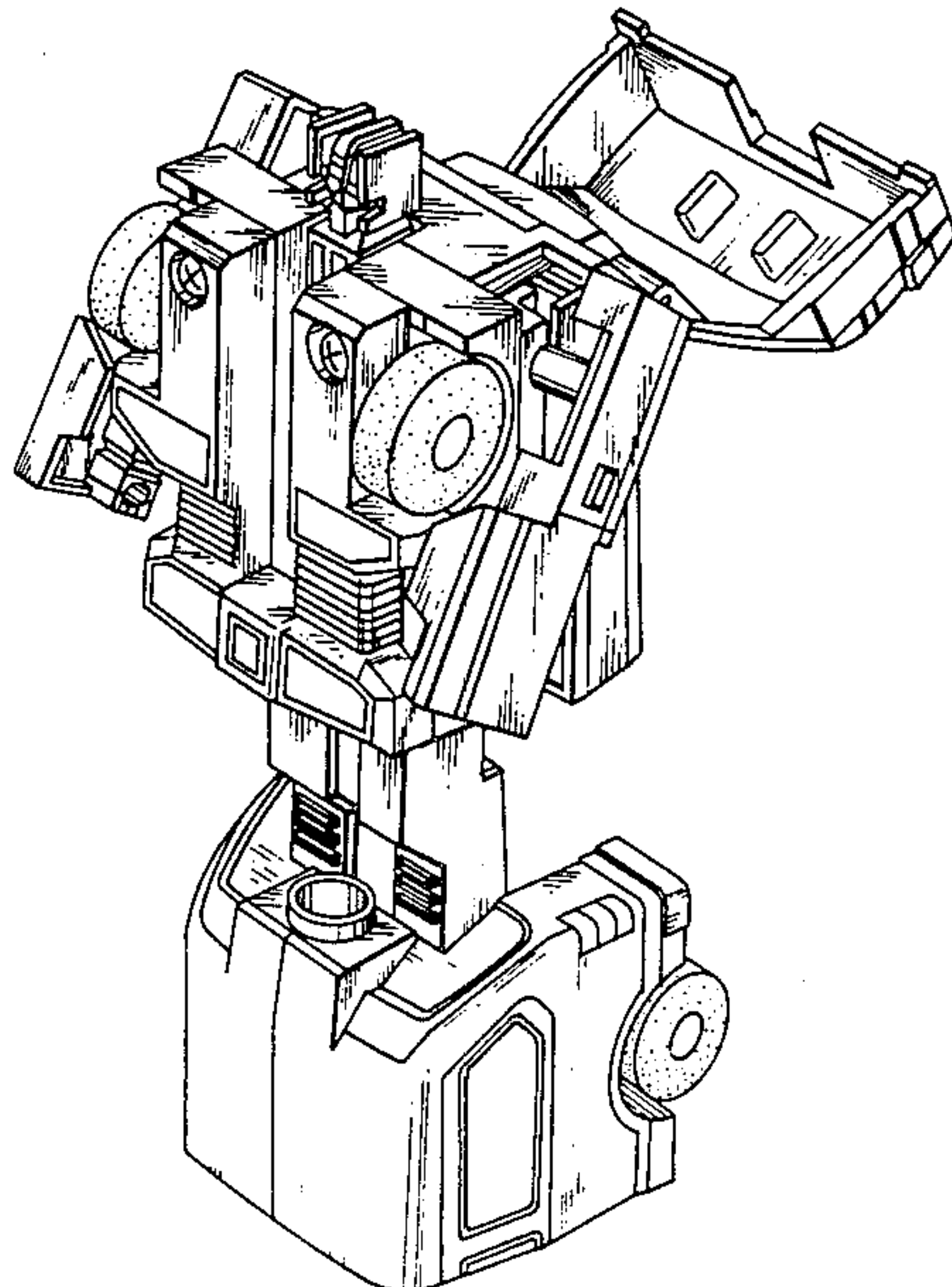
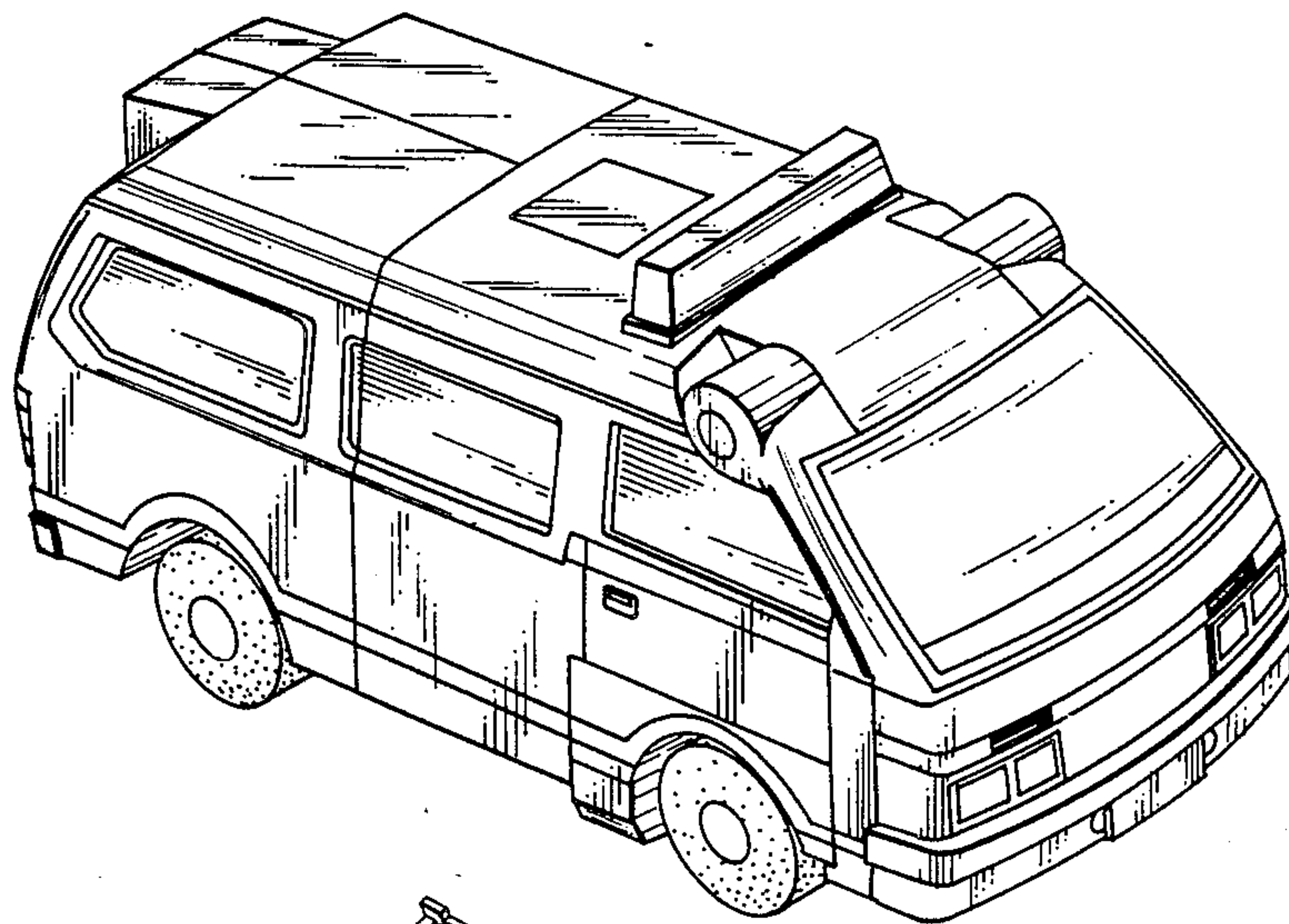


FIG. 2

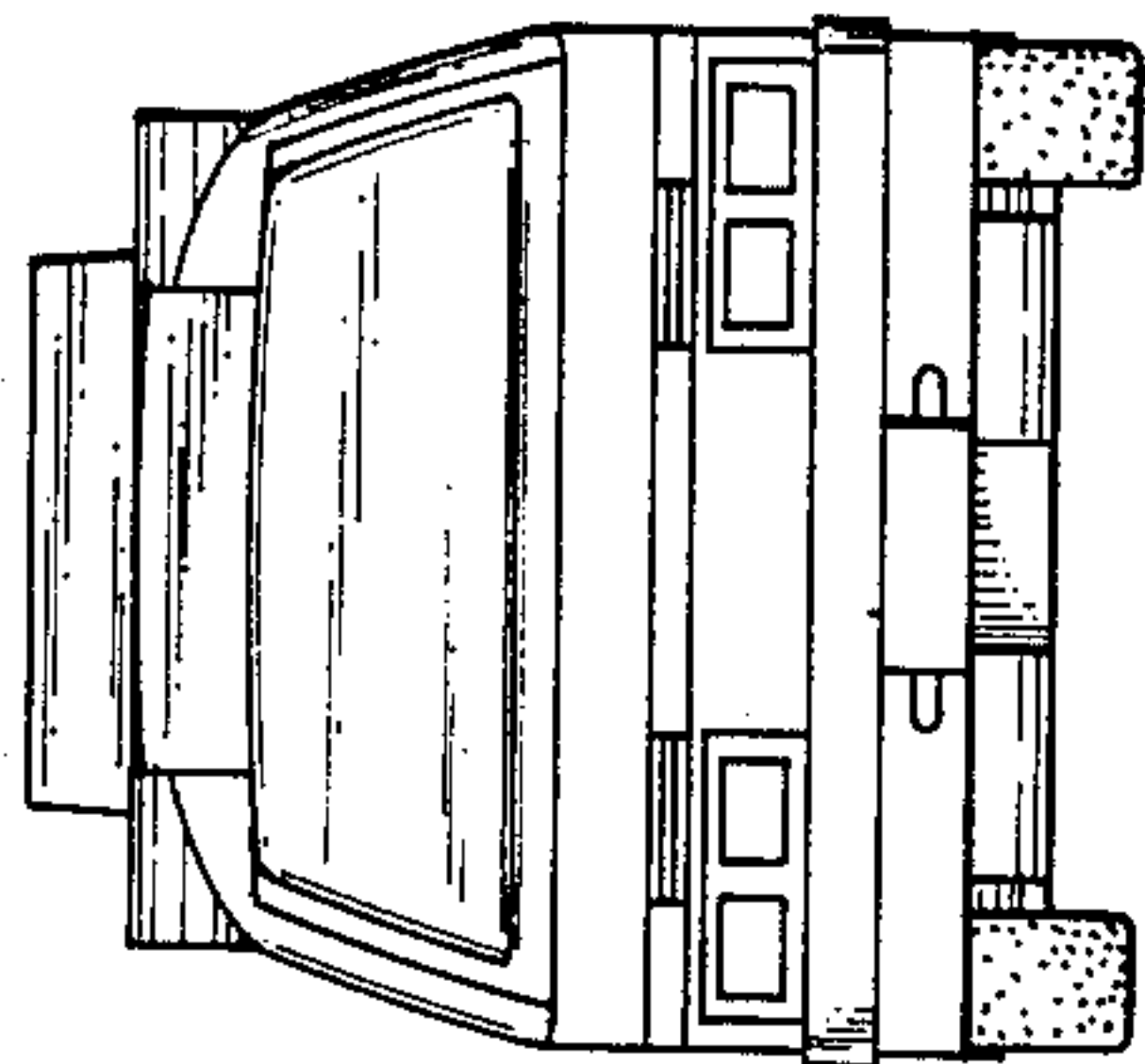


FIG. 3

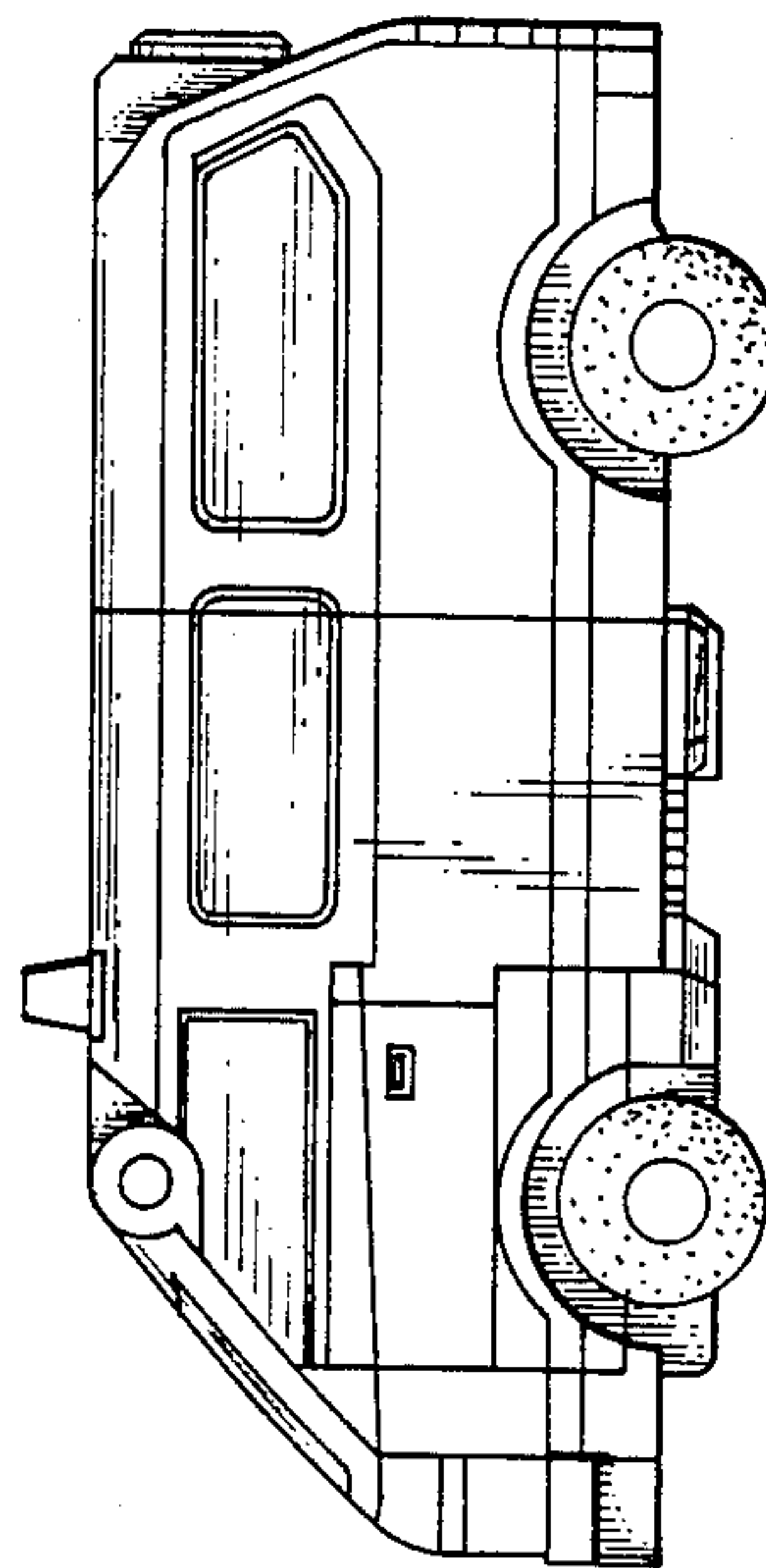


FIG. 1

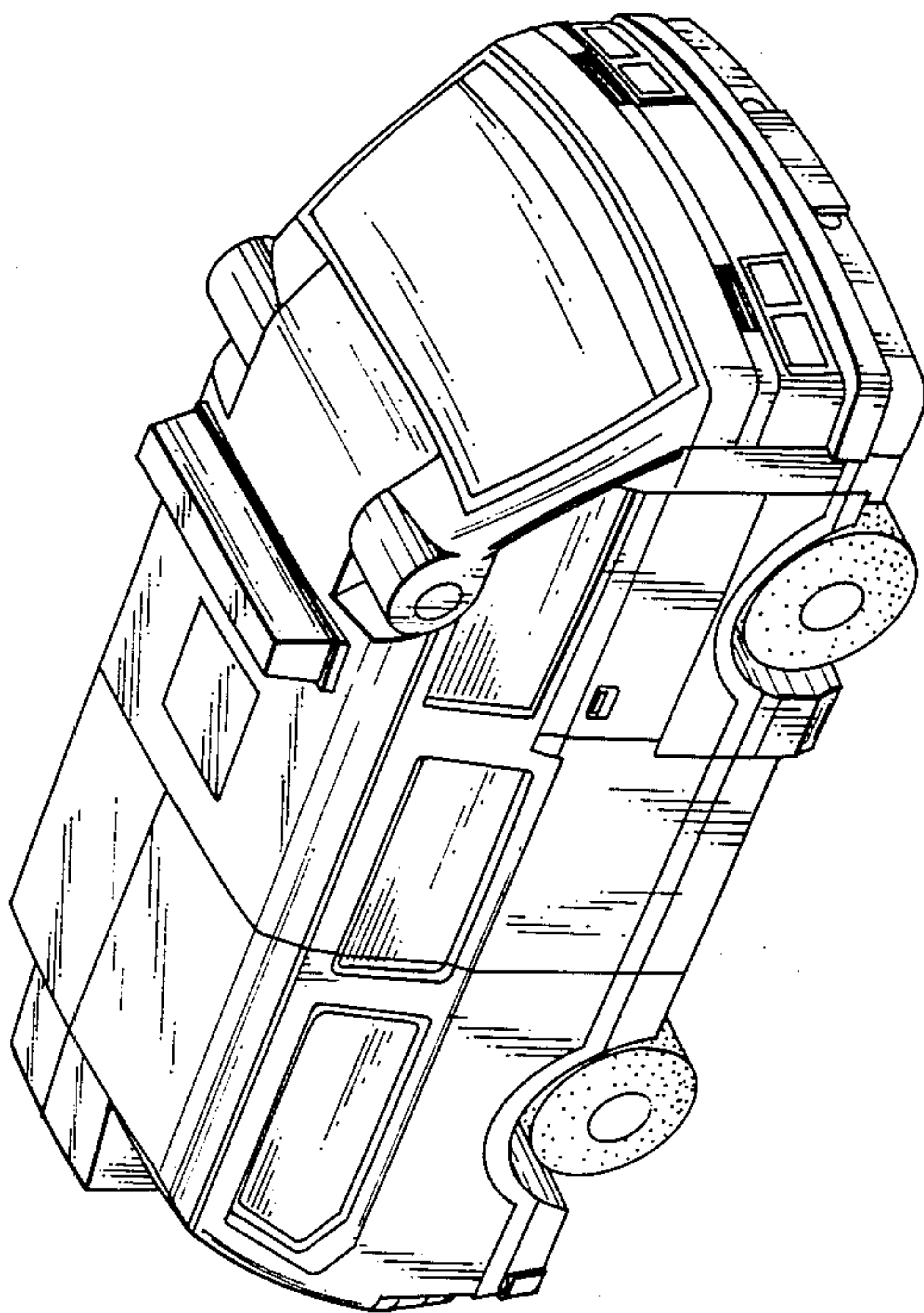


FIG. 6

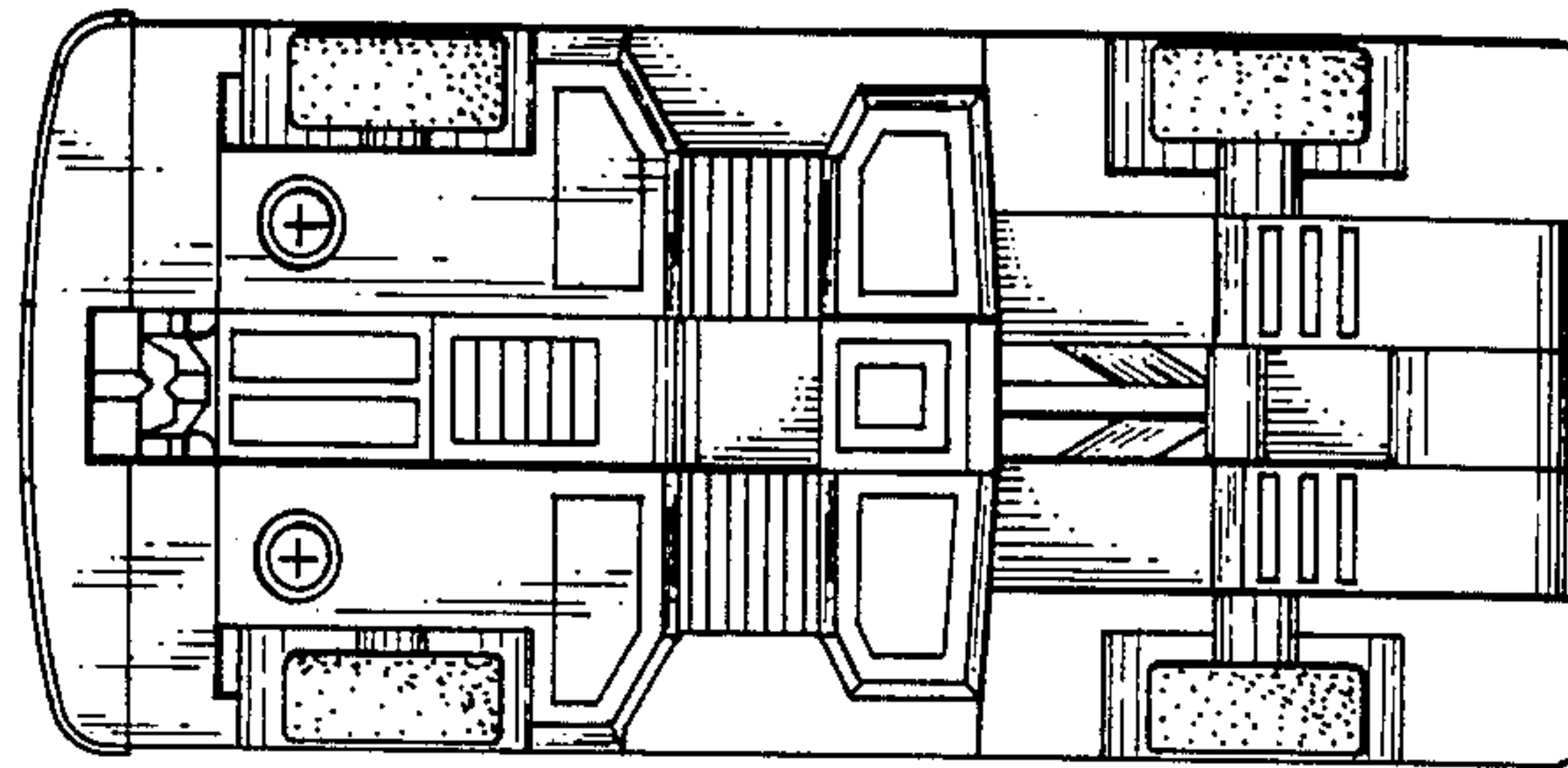


FIG. 5

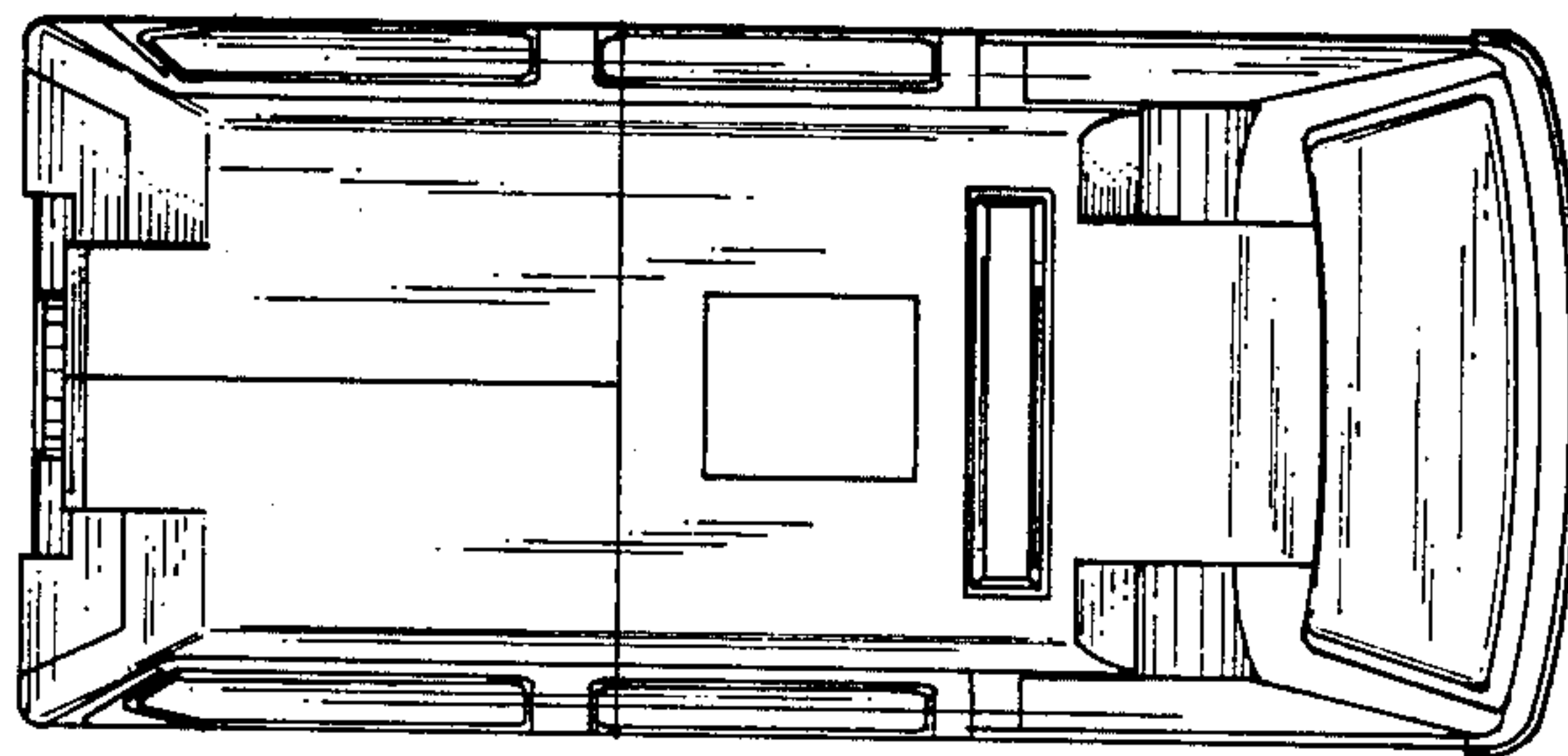


FIG. 4

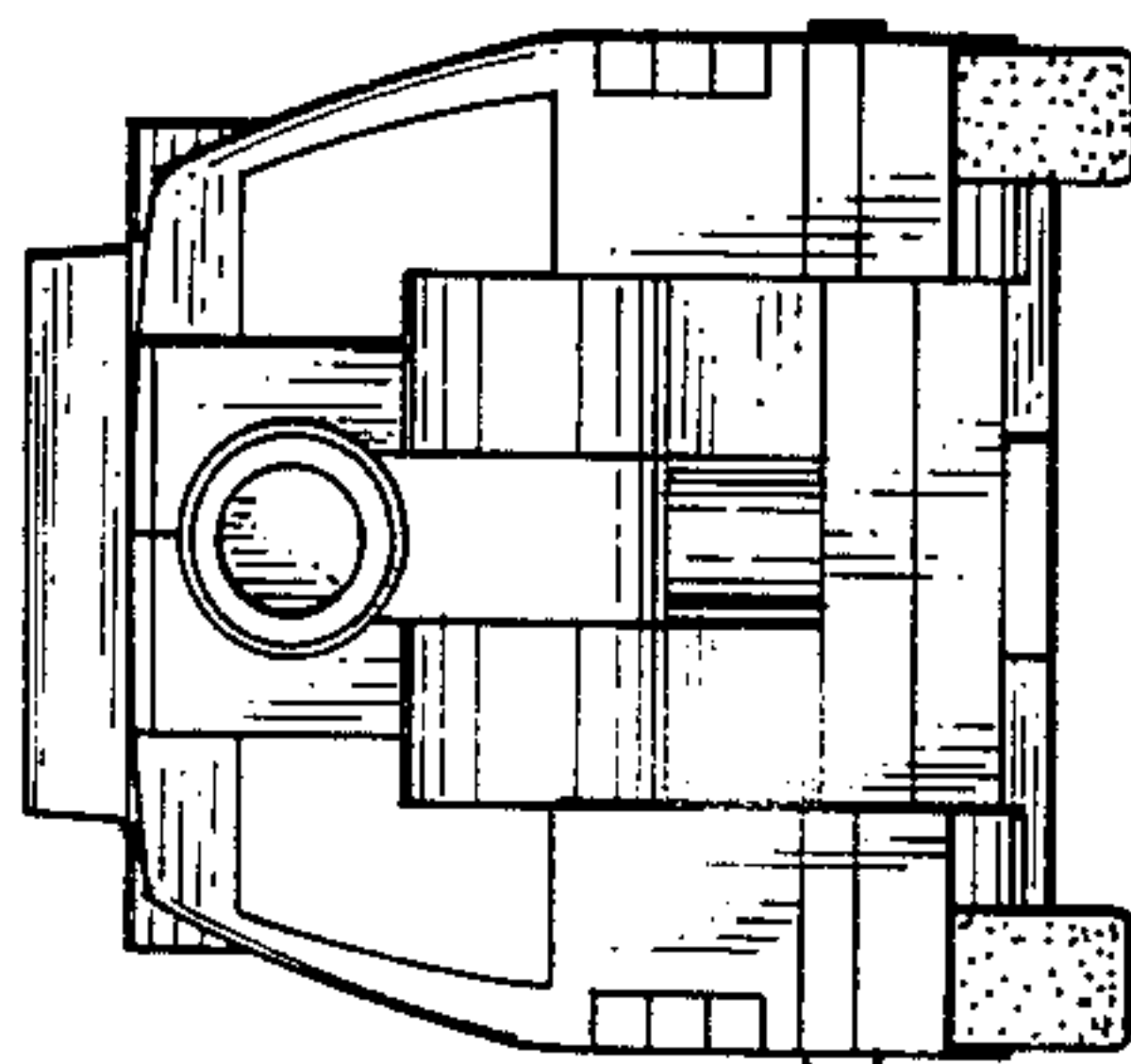


FIG. 8

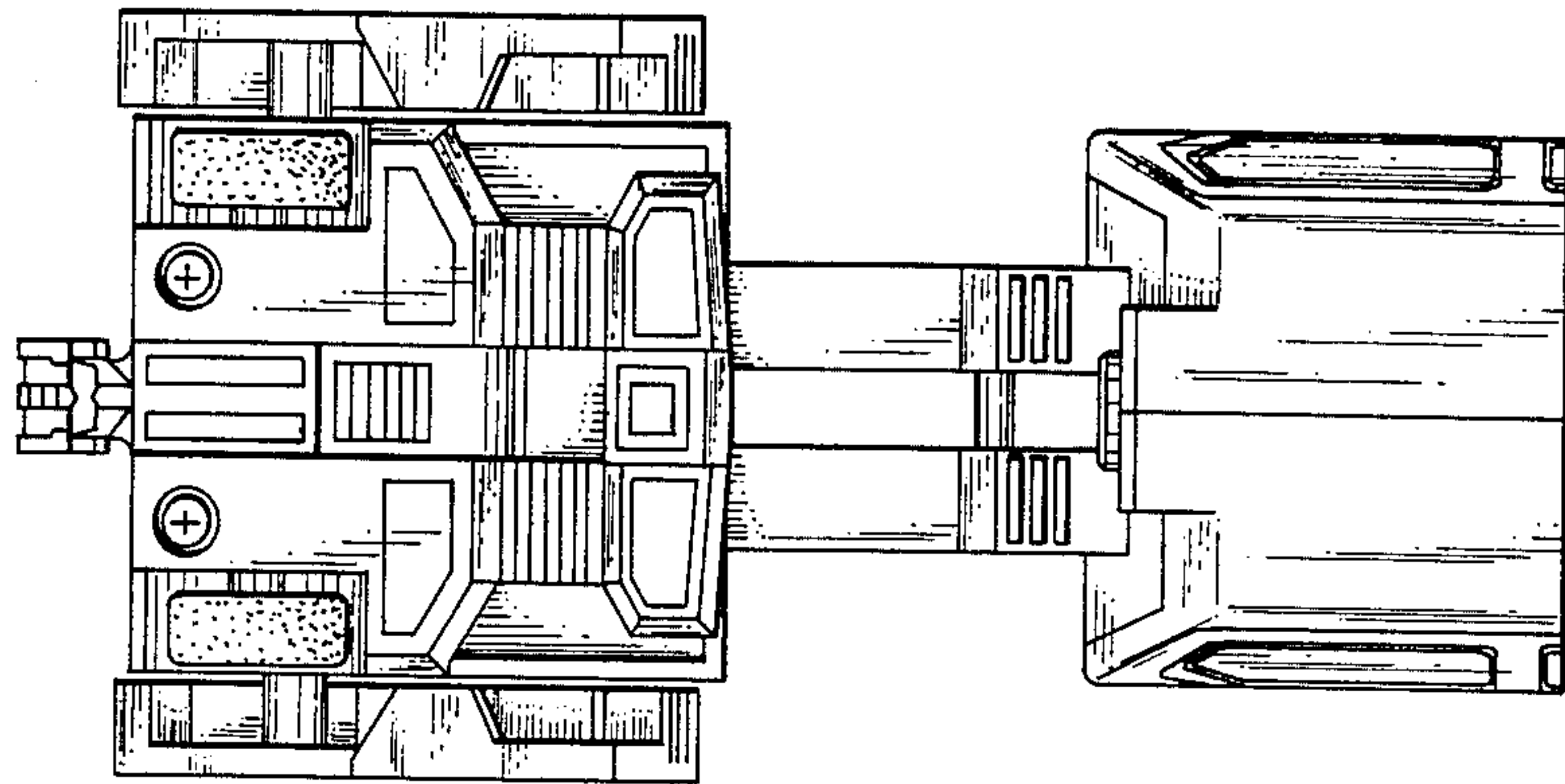


FIG. 7

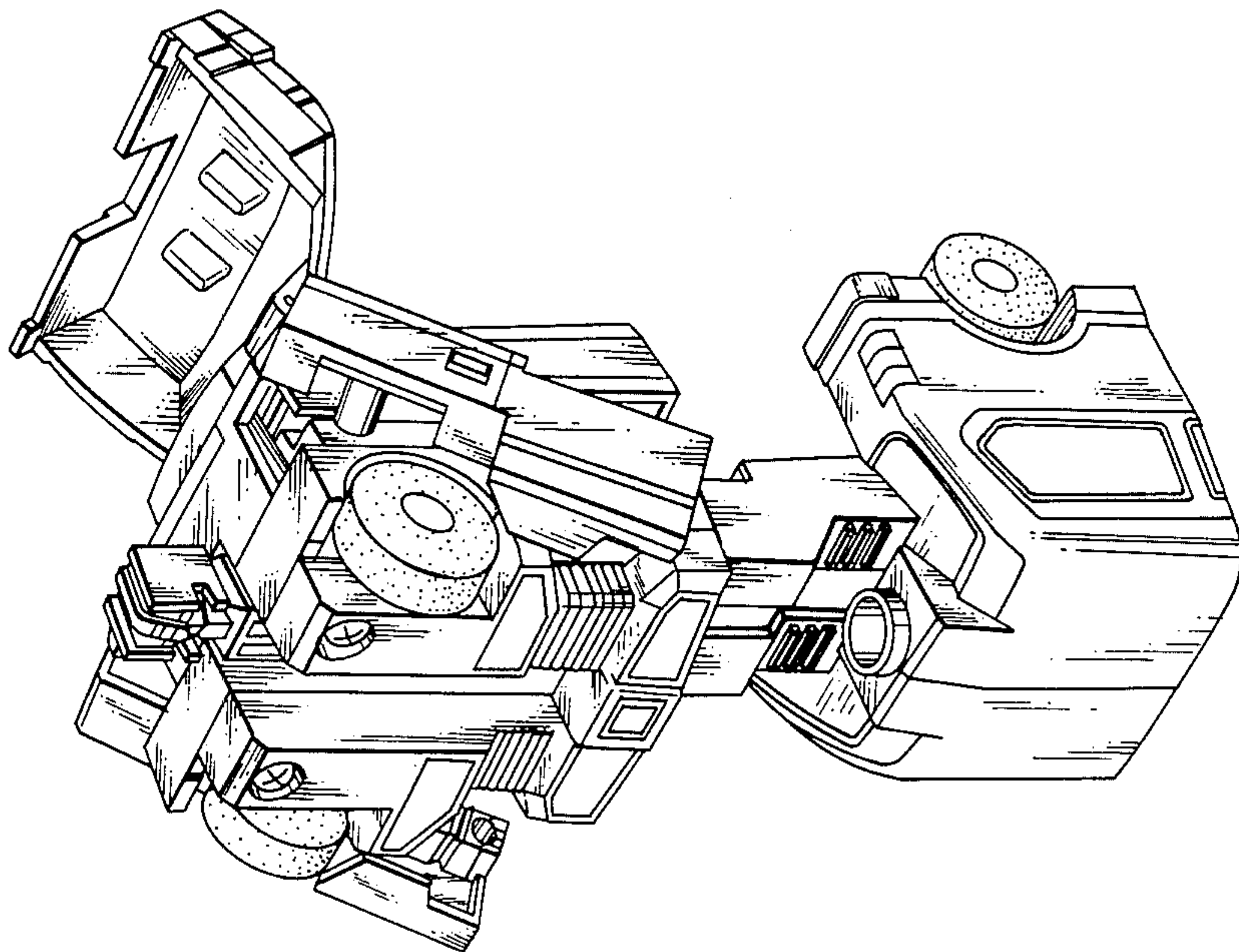


FIG.10

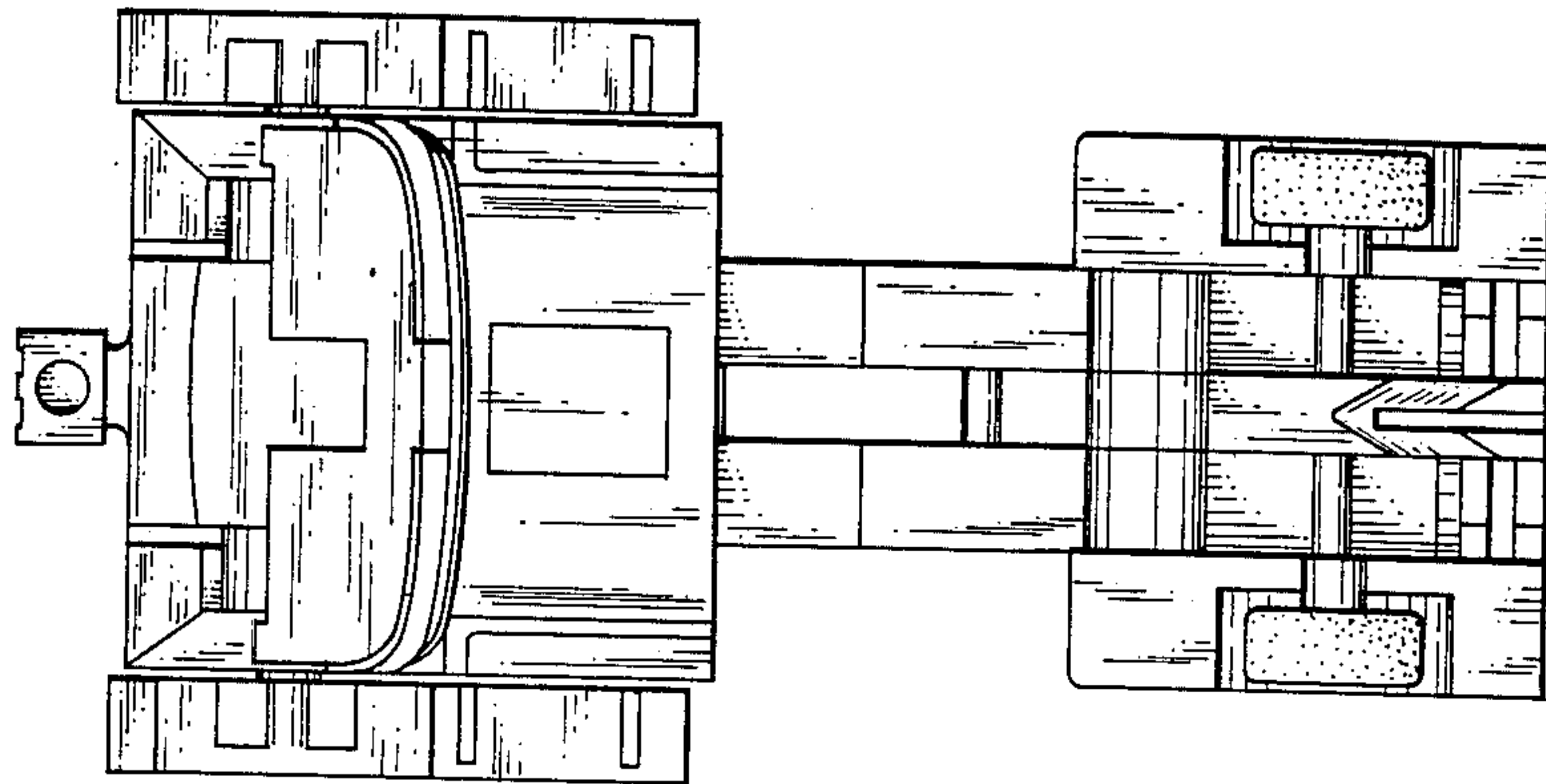


FIG. 9

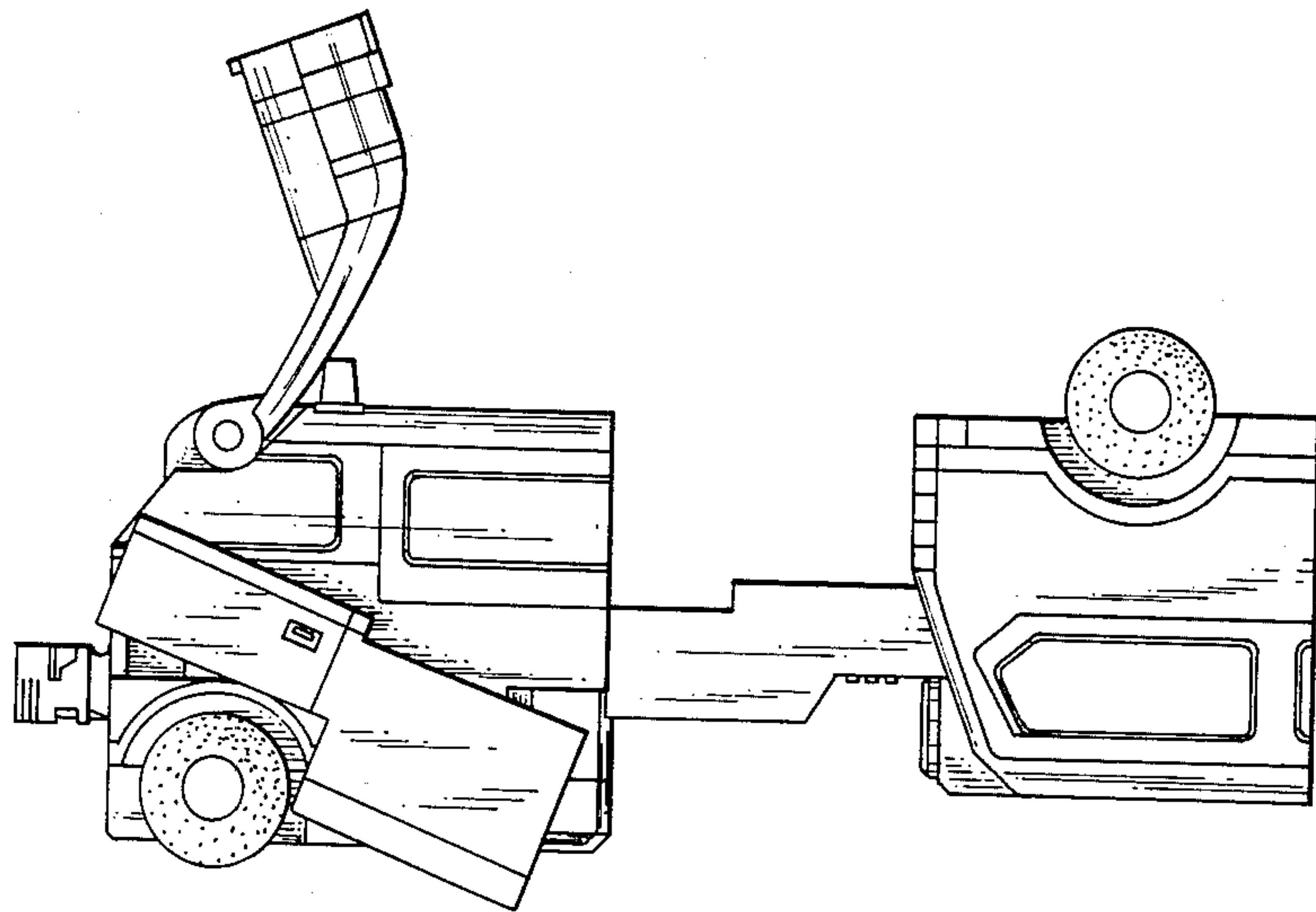


FIG.12

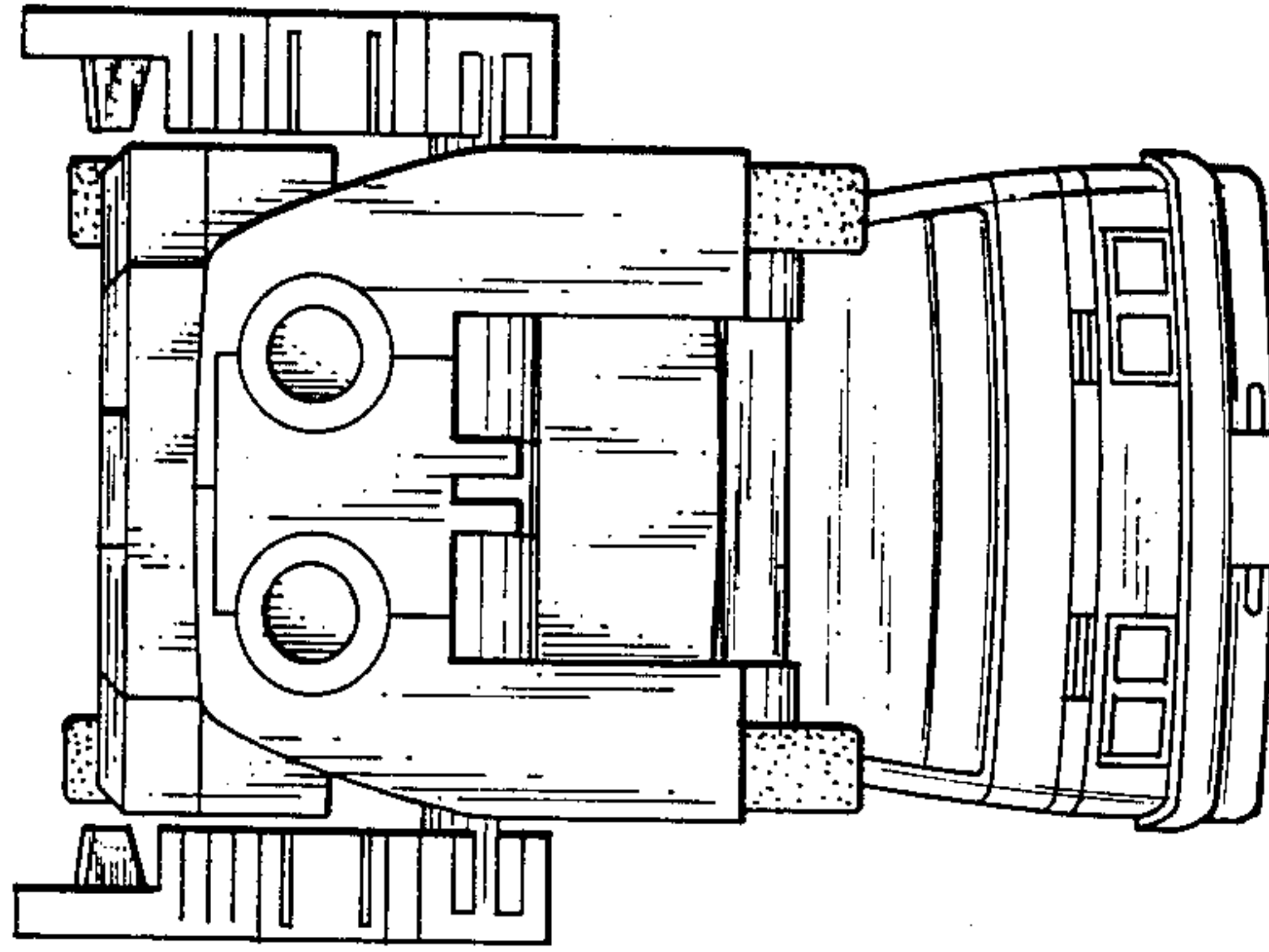


FIG.11

