

- [54] RECONFIGURABLE TOY TANK
- [75] Inventor: Daishirou Shibukawa, Tokyo, Japan
- [73] Assignee: Takara Co., Ltd., Tokyo, Japan
- [\*\*] Term: 14 Years
- [21] Appl. No.: 806,225
- [22] Filed: Nov. 22, 1985

[30] Foreign Application Priority Data

- Oct. 14, 1985 [JP] Japan ..... 60-42972
- [52] U.S. Cl. .... D21/131; D21/150;  
D21/166
- [58] Field of Search ..... D21/128-140;  
496/71, 72, 73-76, 78, 376, 378, 487

[56] References Cited

U.S. PATENT DOCUMENTS

- D. 191,793 11/1961 Alvanev ..... D21/131
- D. 279,592 7/1985 Ogawa ..... D21/150
- D. 285,589 9/1986 Matsushiro ..... D21/150
- D. 290,630 6/1987 Kitamura ..... D21/150
- 3,917,270 11/1975 Gothard et al. .... D21/131

Primary Examiner—Charles A. Rademaker

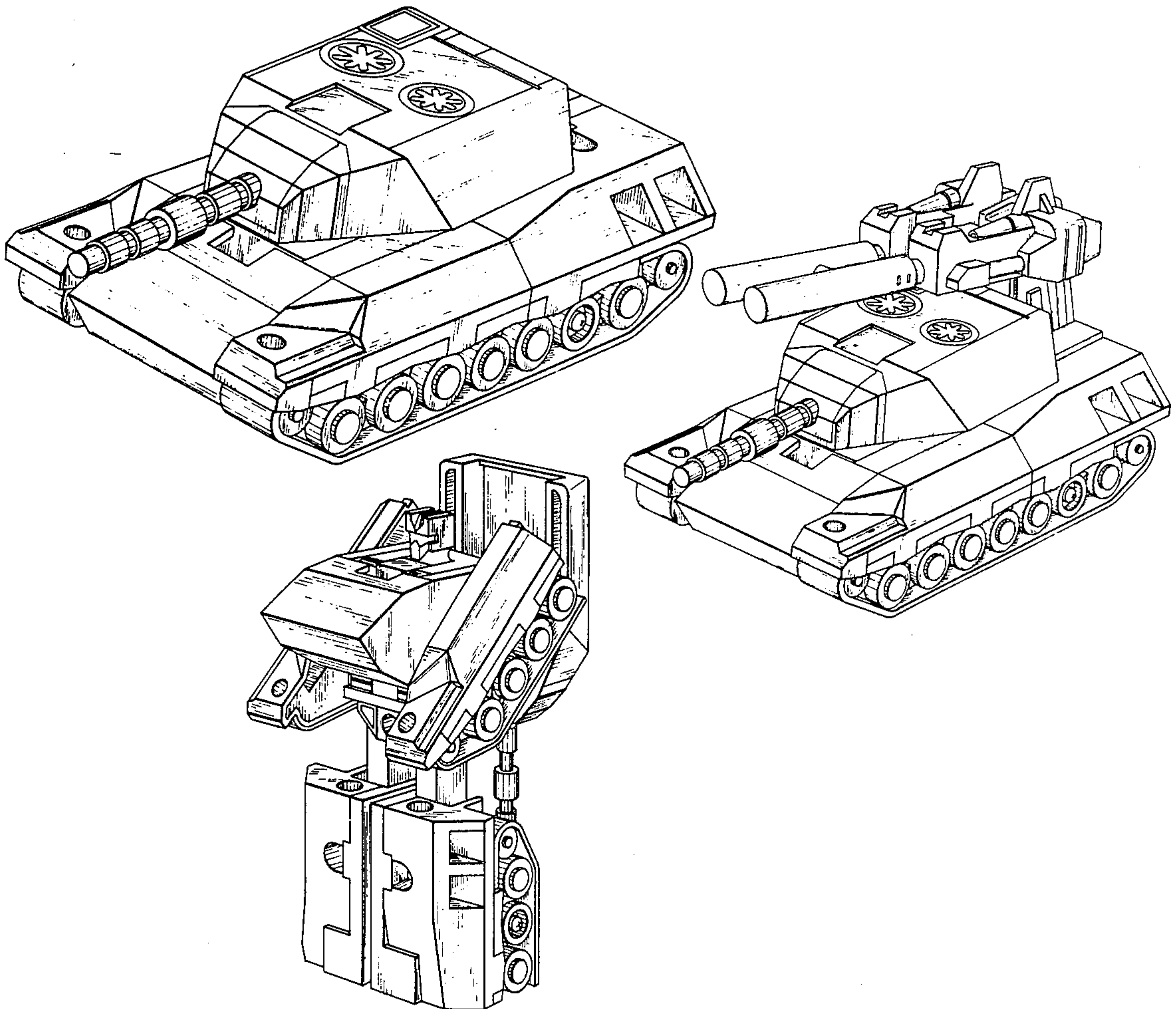
Attorney, Agent, or Firm—Price, Gess & Ubell

[57] CLAIM

The ornamental design for a reconfigurable toy tank, substantially as shown and described.

DESCRIPTION

FIG. 1 is a front perspective view of a reconfigurable toy tank showing my new design; FIG. 2 is a front elevational view thereof; FIG. 3 is a right side elevational view thereof, the side opposite being substantially a mirror image; FIG. 4 is a rear elevational view thereof; FIG. 5 is a top plan view thereof; FIG. 6 is a bottom plan view thereof; FIG. 7 is a front perspective view of a modified embodiment of the design shown in FIGS. 1 through 6; FIG. 8 is a front perspective view of the design shown in FIGS. 1 through 6 reconfigured into a robotic-humanoid configuration; FIG. 9 is a front elevational view thereof; FIG. 10 is a right side elevational view thereof, the side opposite being substantially a mirror image; FIG. 11 is a rear elevational view thereof; FIG. 12 is a top plan view thereof; and FIG. 13 is a bottom plan view thereof.



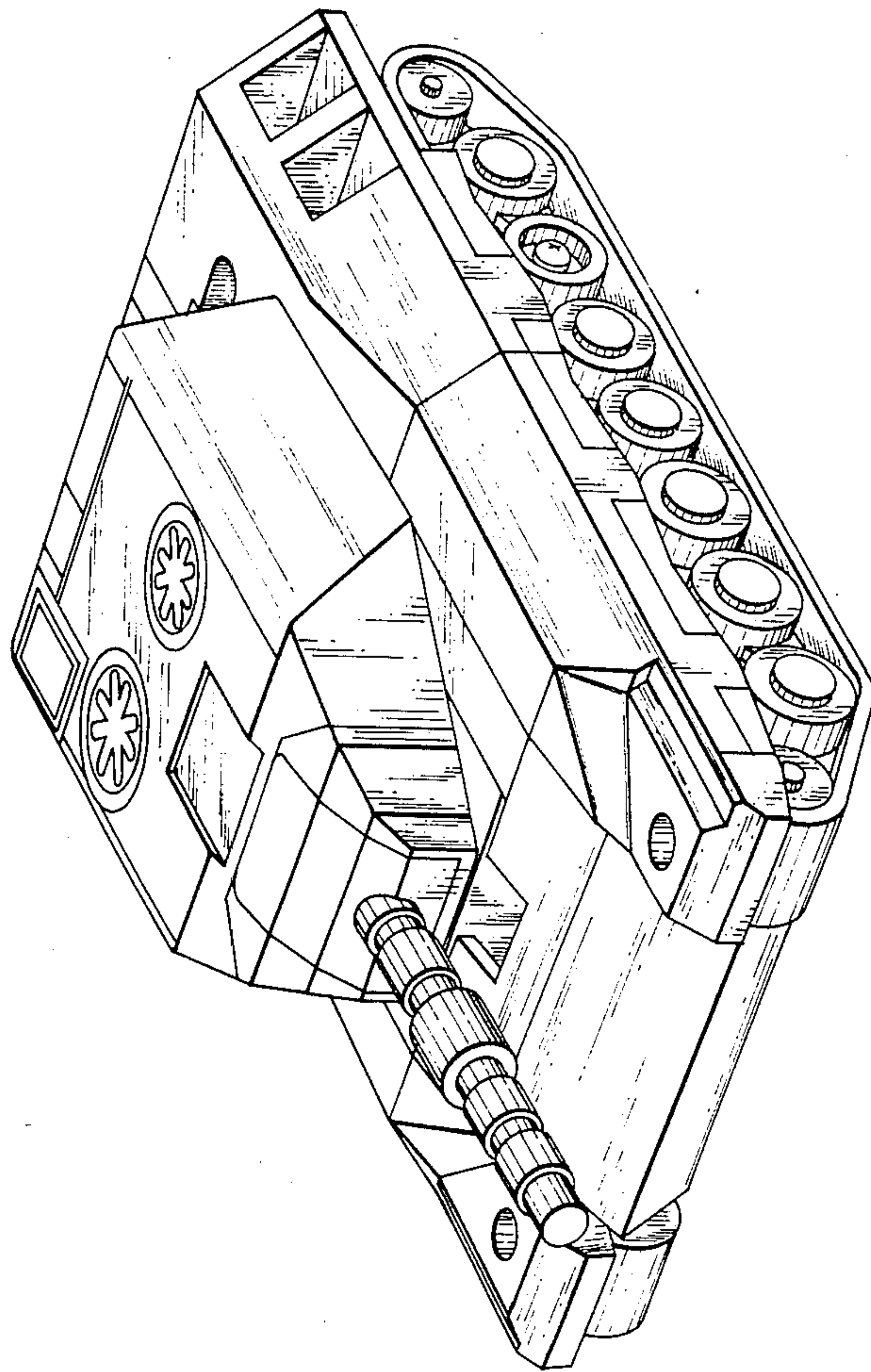


FIG. 1

FIG. 2

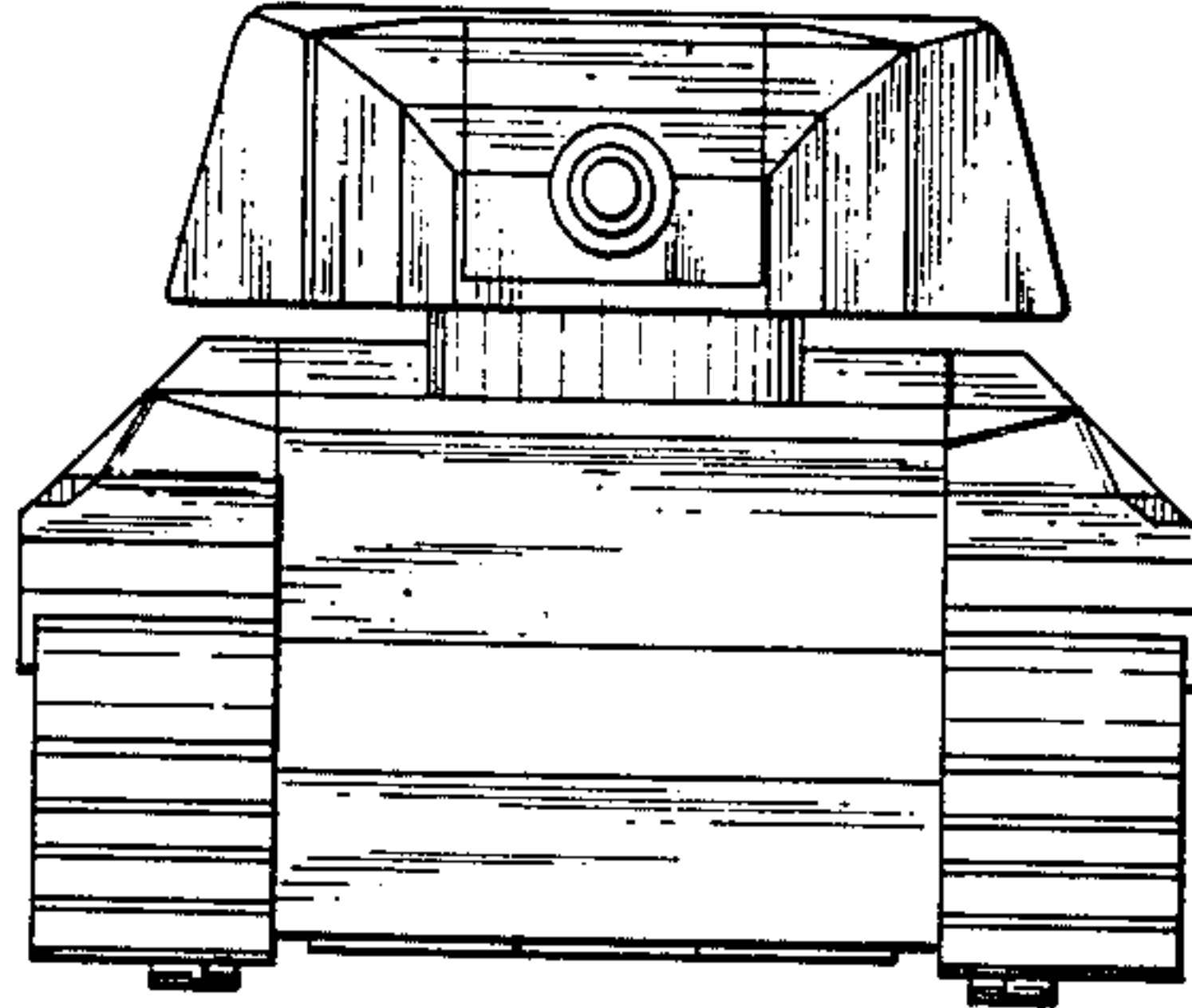


FIG. 3

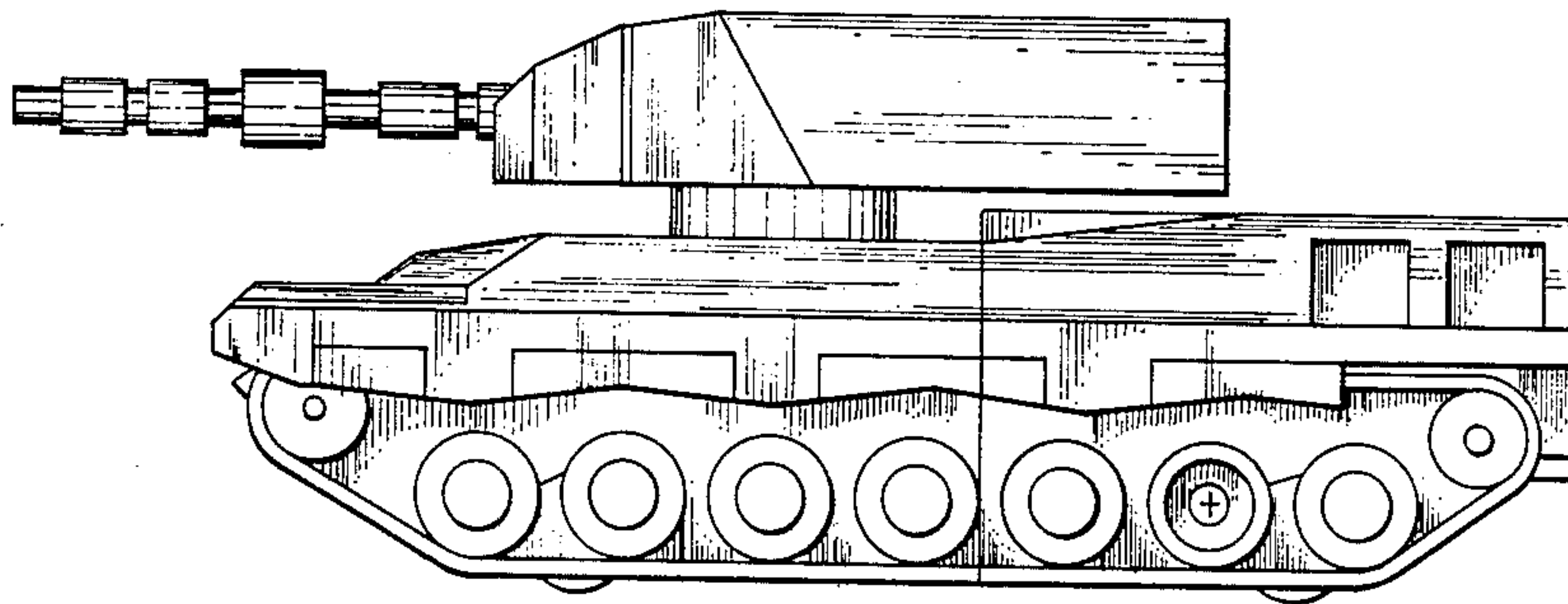


FIG. 4

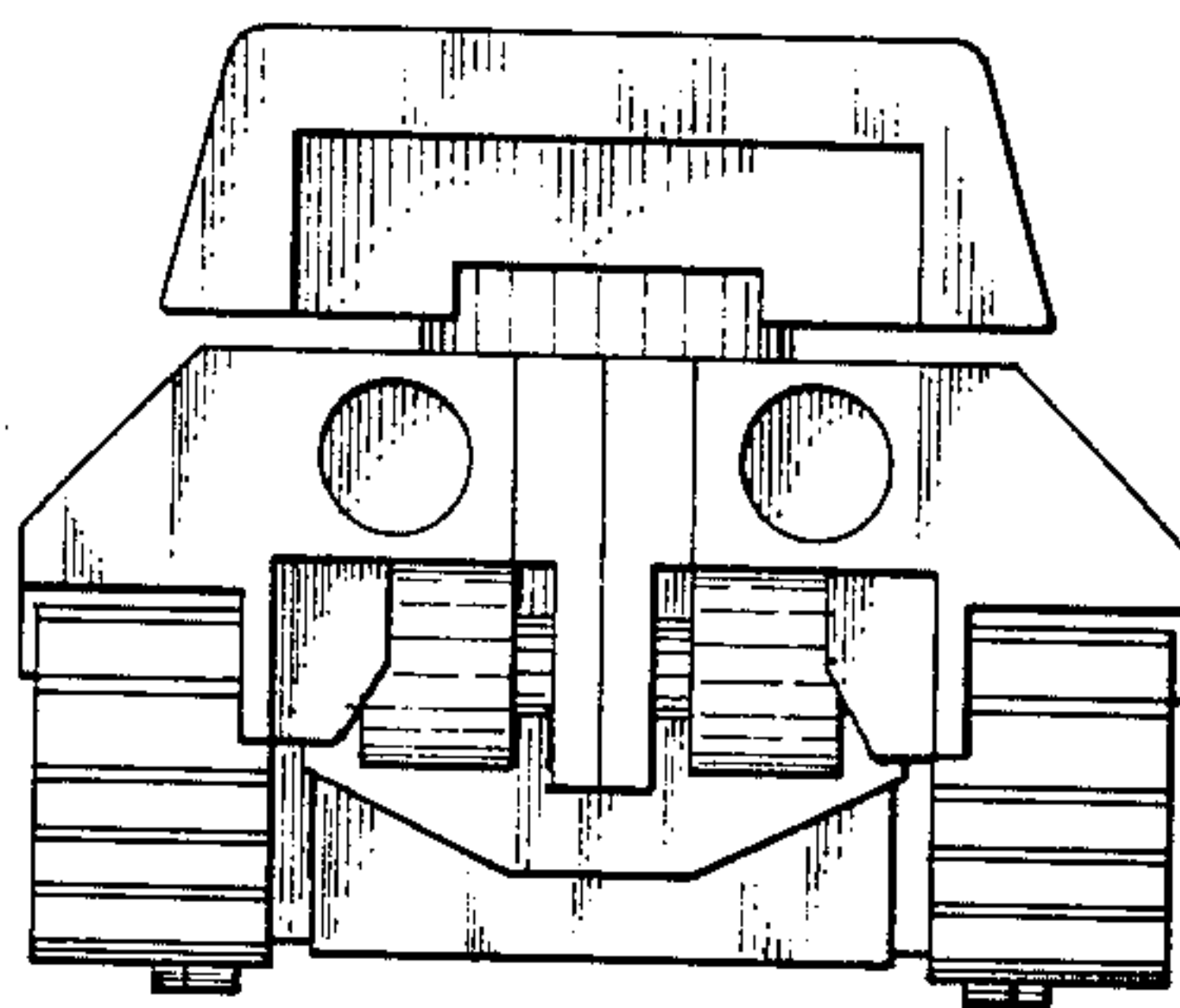




FIG. 6

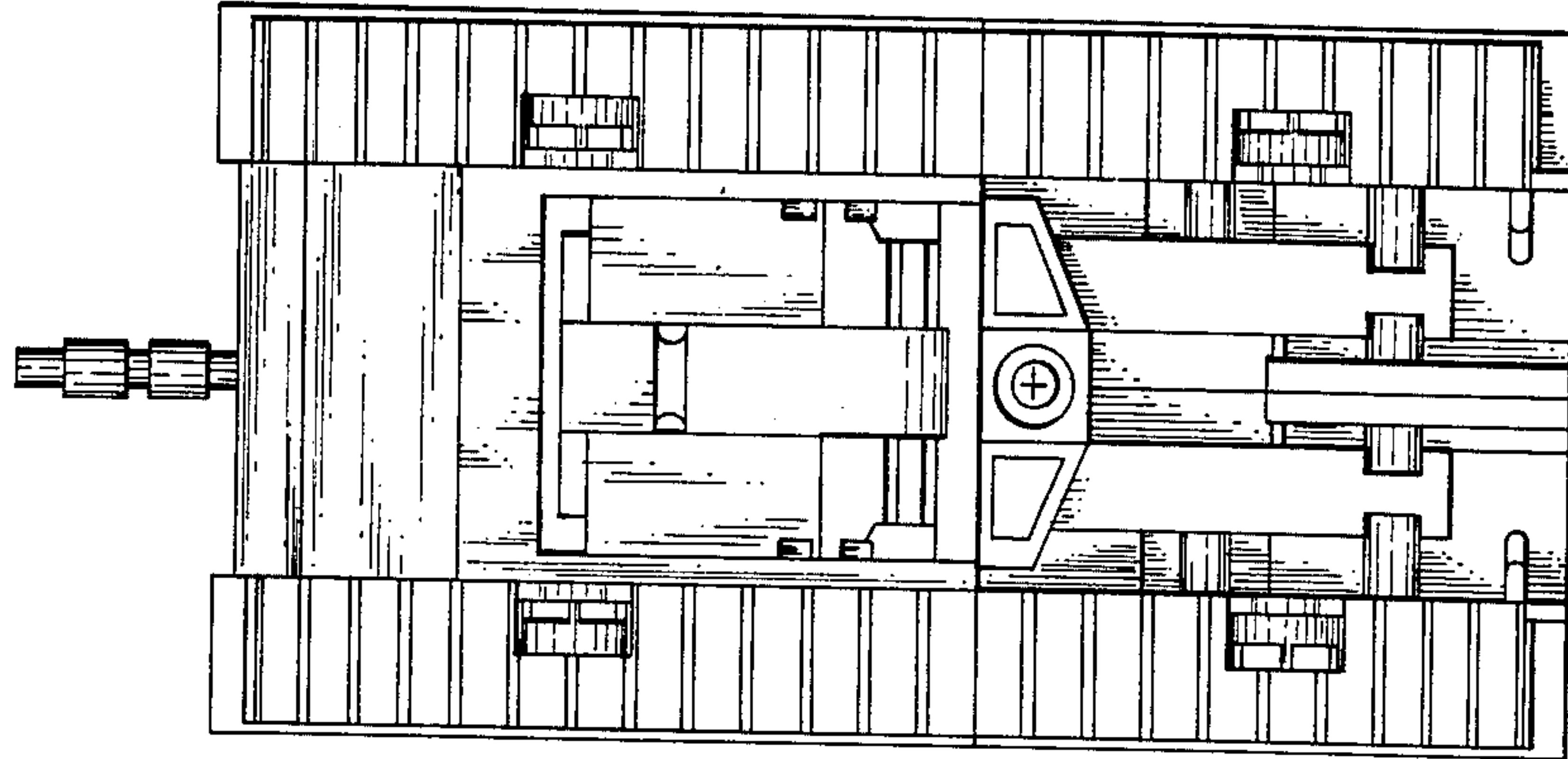


FIG. 5

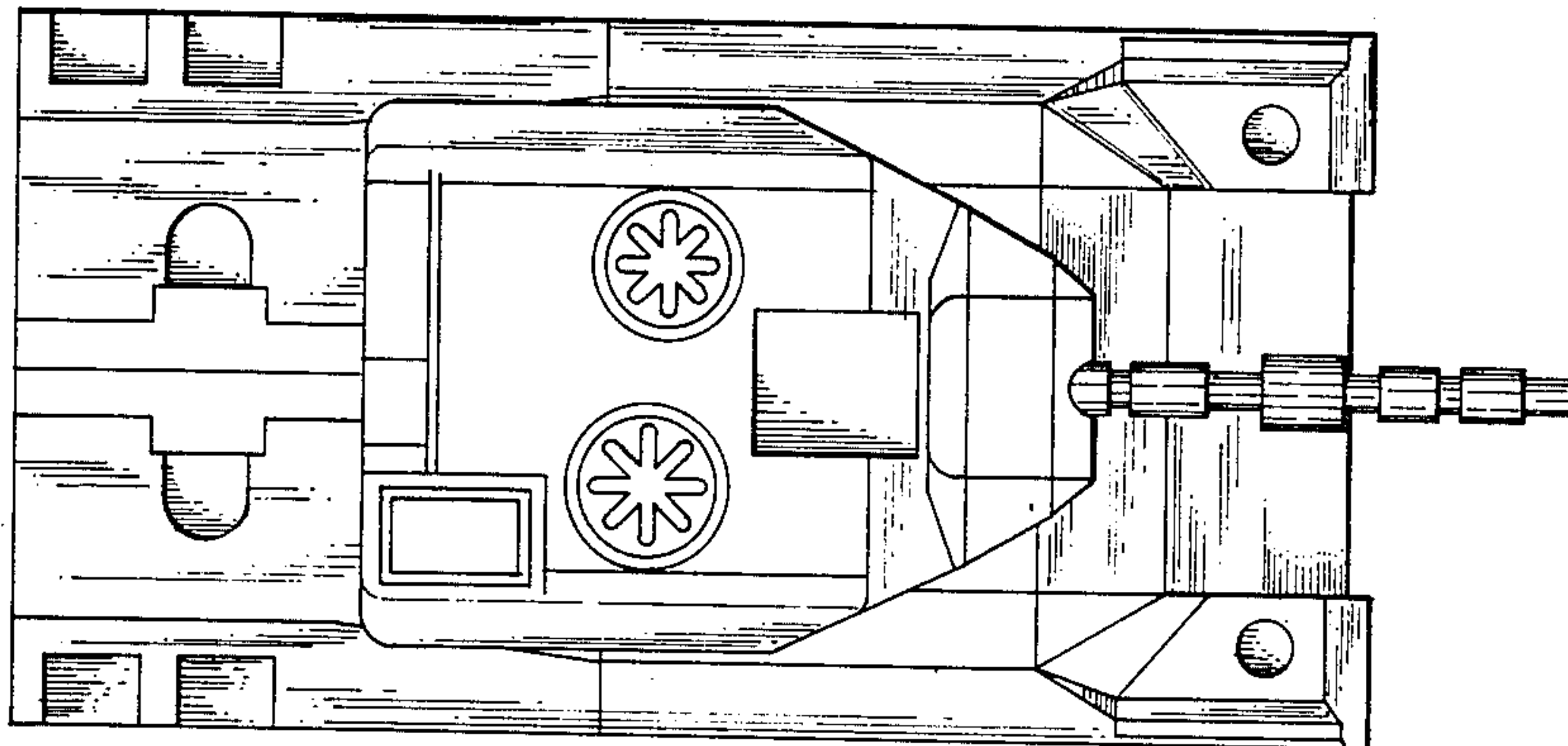


FIG. 7

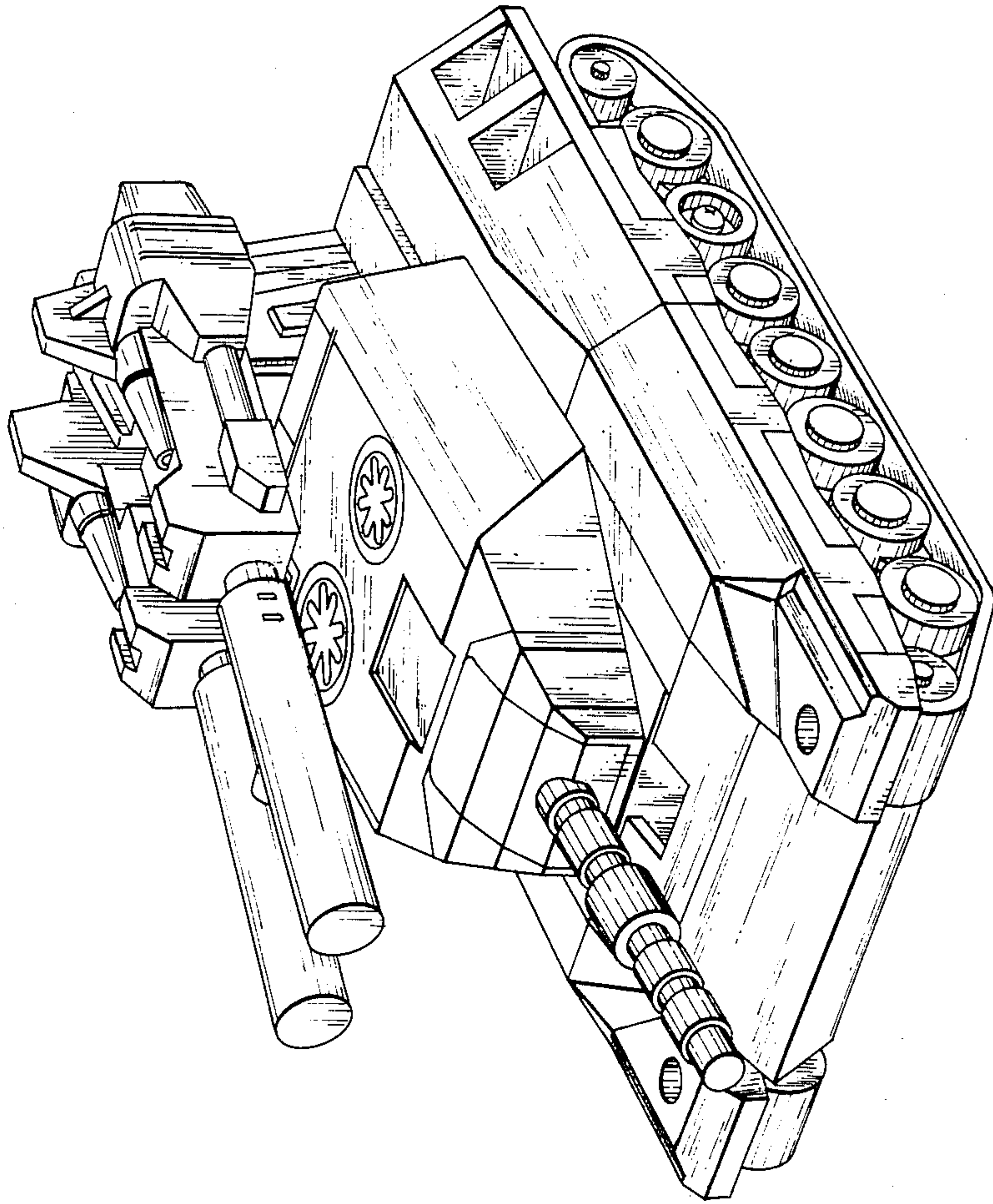


FIG. 9

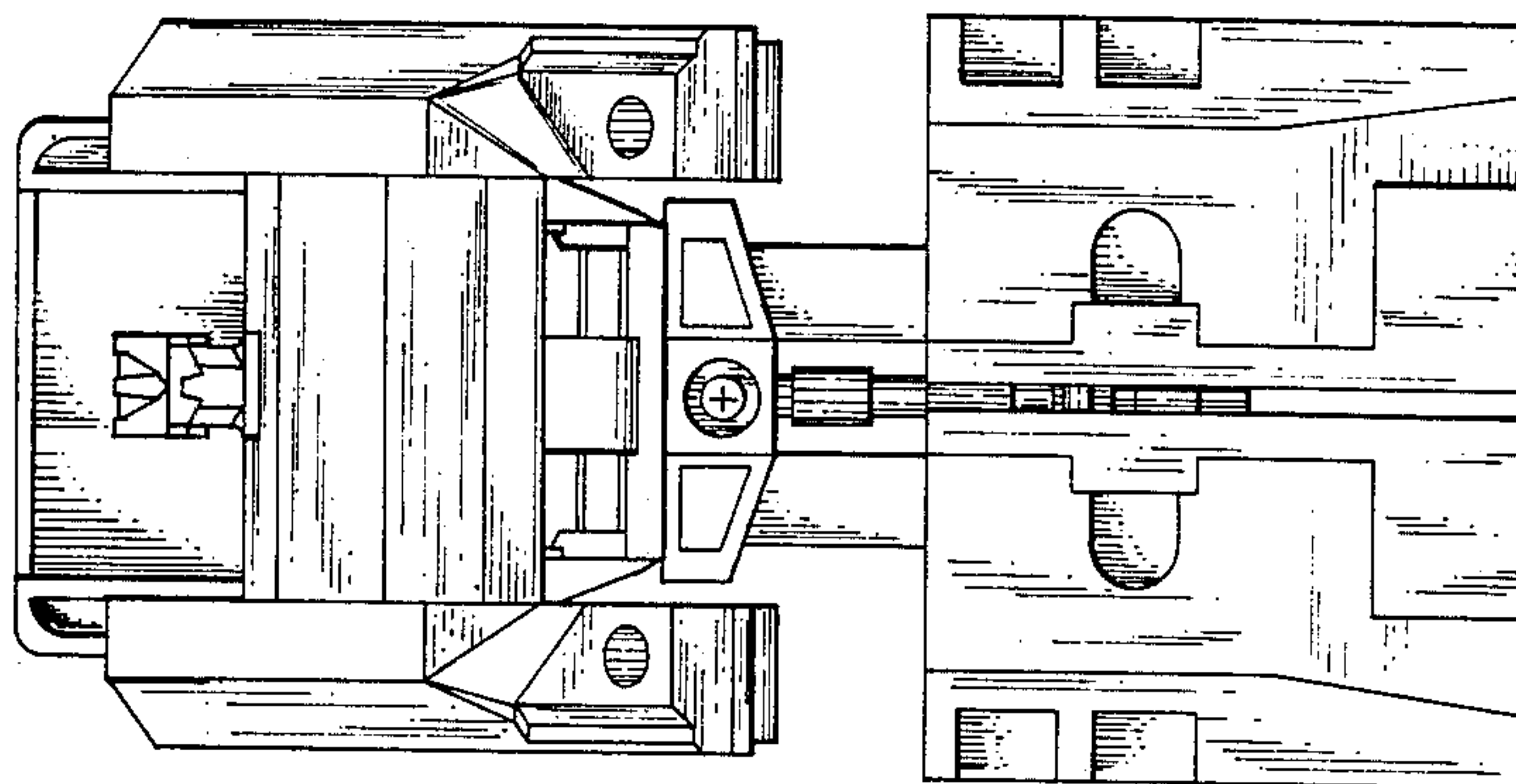


FIG. 8

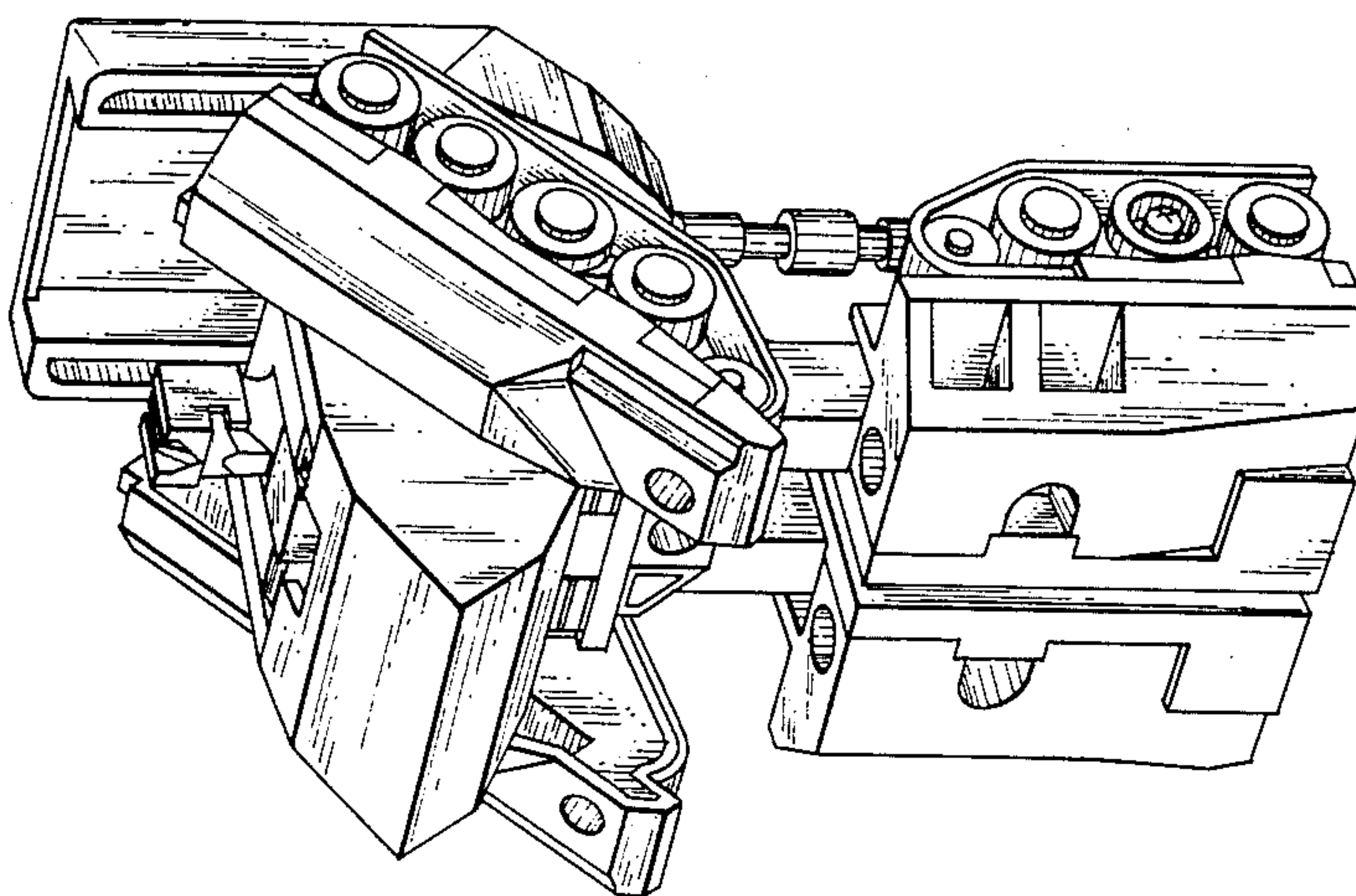


FIG.11

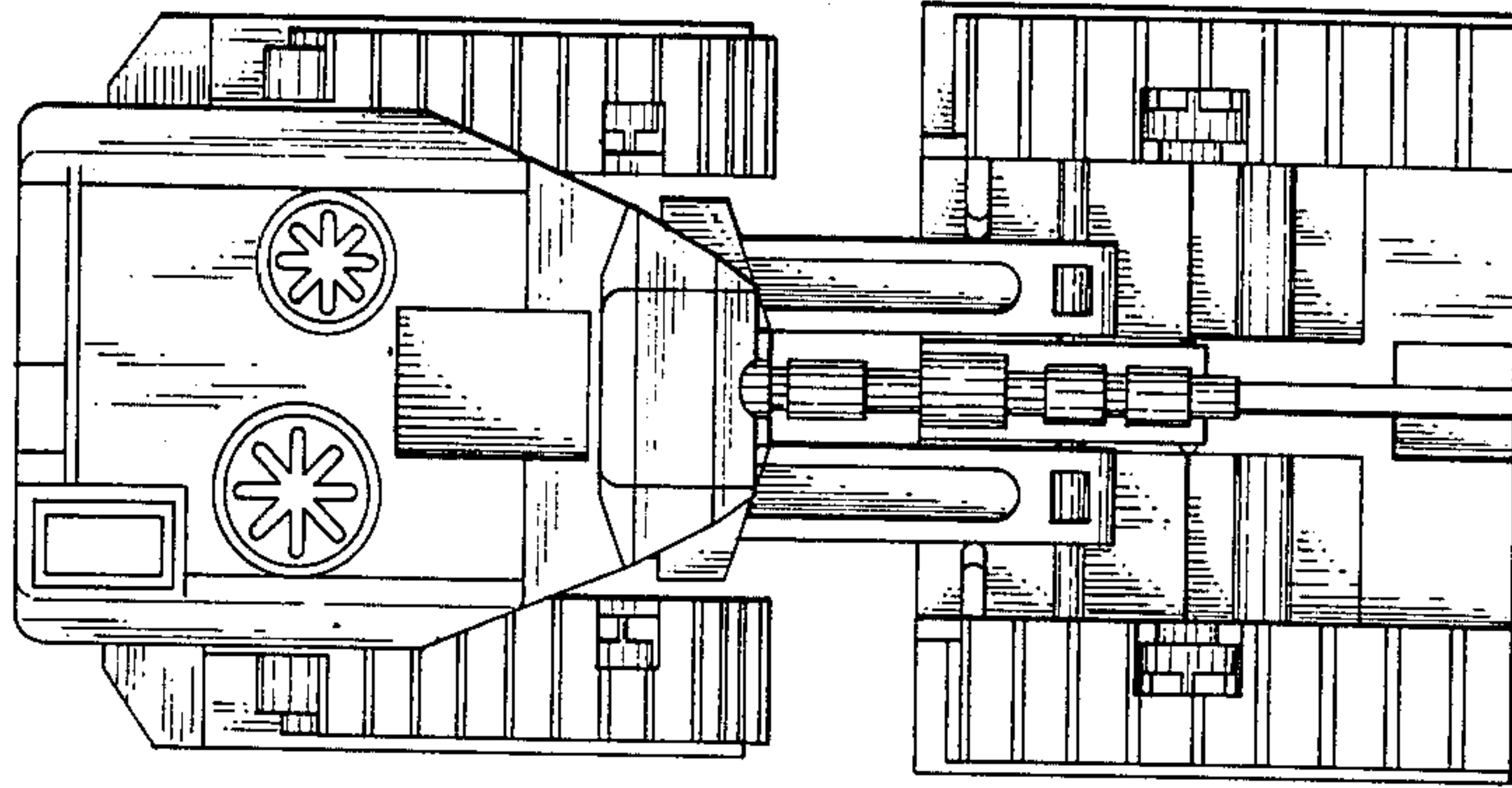


FIG.10

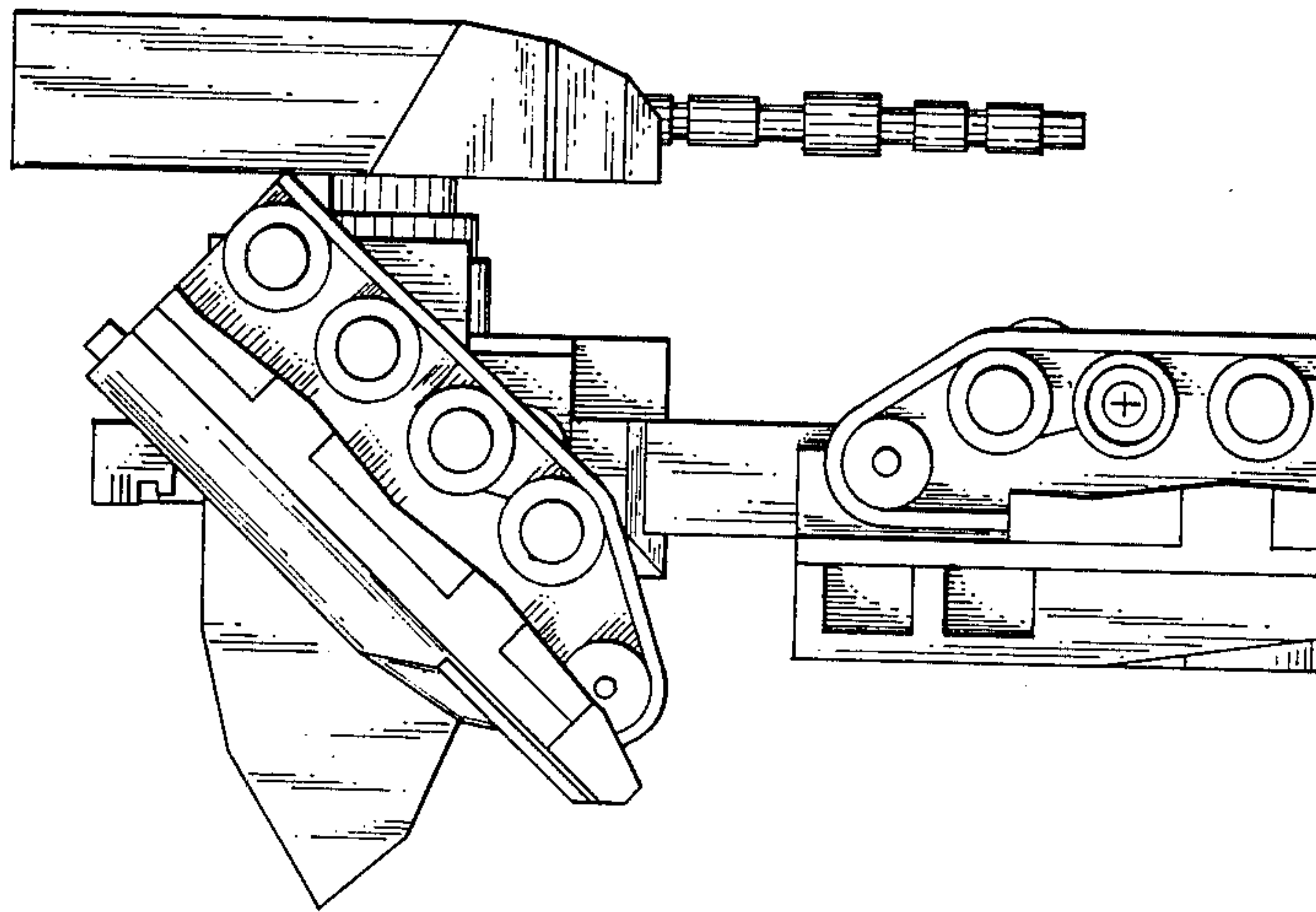


FIG.13

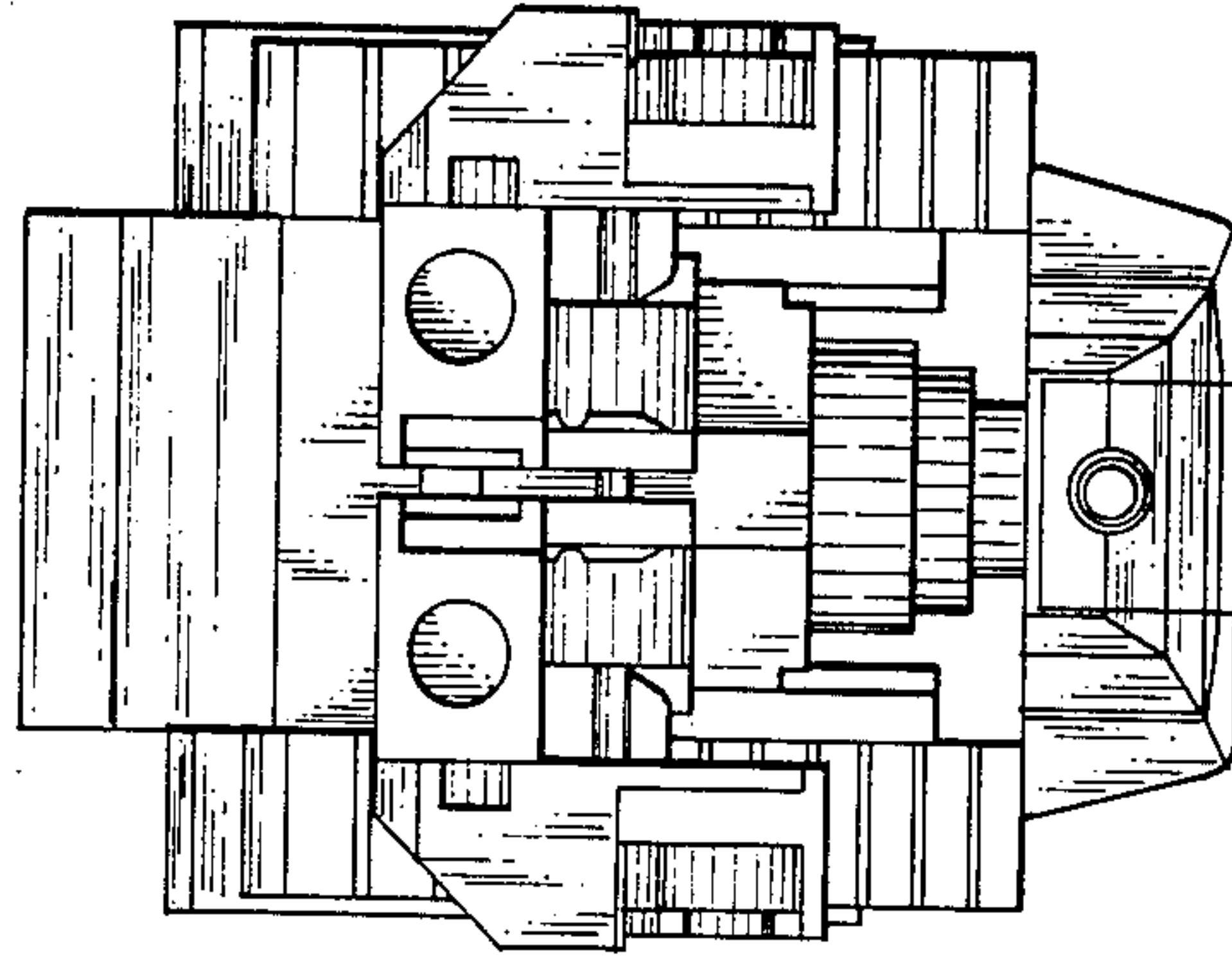


FIG.12

