

[54] FLEXIBLE BOARD FOR A GAME OR SIMILAR ARTICLE

[76] Inventor: Jerry Lin, P.O. Box 576, Taipei, Taiwan

[**] Term: 14 Years

[21] Appl. No.: 805,387

[22] Filed: Nov. 18, 1985

[30] Foreign Application Priority Data

Sep. 25, 1985 [CA] Canada 25-09-85-6
 [52] U.S. Cl. D21/15; D21/24
 [58] Field of Search D21/14-36;
 273/260, 285, 286

[56] References Cited

U.S. PATENT DOCUMENTS

D. 287,146 12/1986 Lin D21/24
 343,496 6/1886 Seliger 273/285
 2,424,123 7/1947 Schruben 273/285

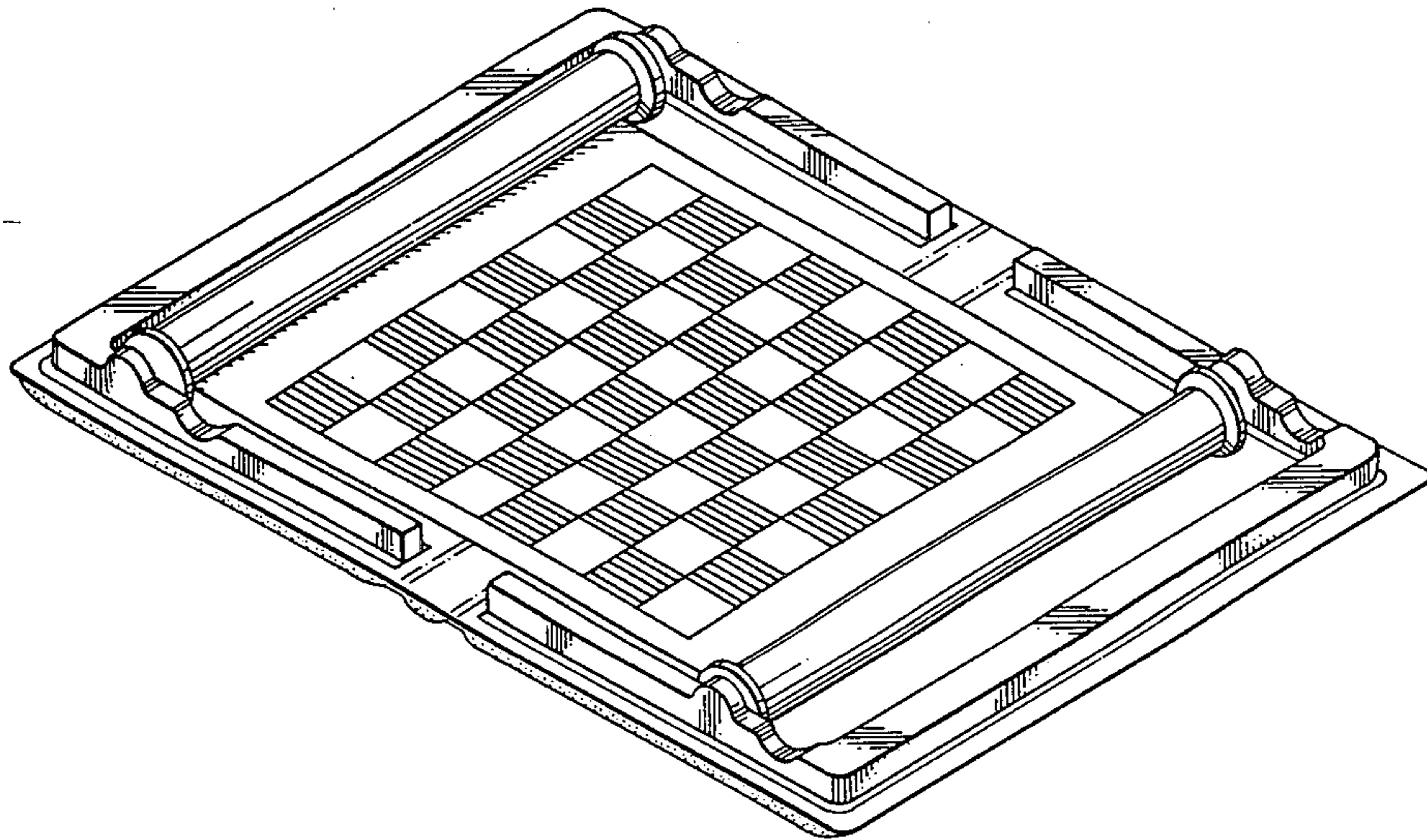
Primary Examiner—Melvin B. Feifer
Attorney, Agent, or Firm—Birch, Stewart, Kolasch & Birch

[57] CLAIM

The ornamental design for flexible board for a game or similar article, as shown and described.

DESCRIPTION

FIG. 1 is a front elevational view of flexible board for a game showing my new design;
 FIG. 2 is a rear elevational view thereof;
 FIG. 3 is a right side elevational view thereof;
 FIG. 4 is a left side elevational view thereof;
 FIG. 5 is a top plan view thereof;
 FIG. 6 is a bottom plan view thereof; and
 FIG. 7 is a perspective view thereof;
 FIG. 8 is a right side elevational view of said design of the same embodiment in its folded position;
 FIG. 9 is a left side elevational view thereof;
 FIG. 10 is a front elevational view thereof; and
 FIG. 11 is a perspective view thereof.



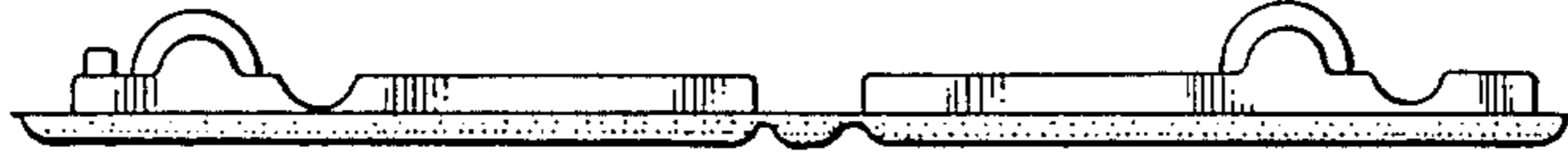


FIG. 1



FIG. 2

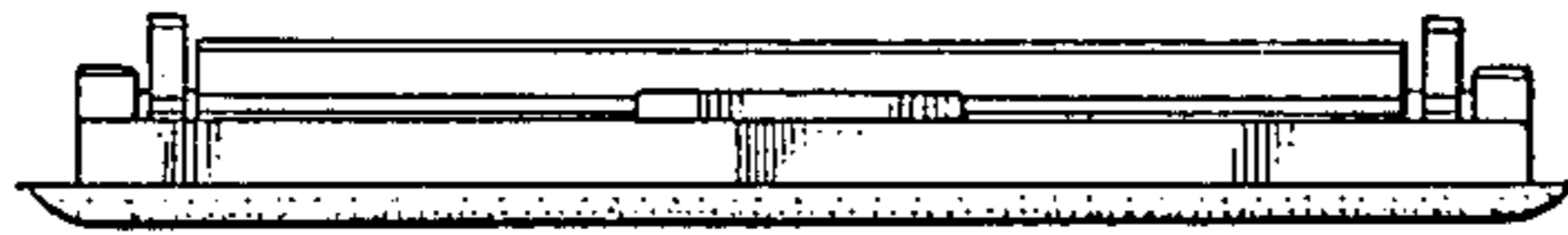


FIG. 3

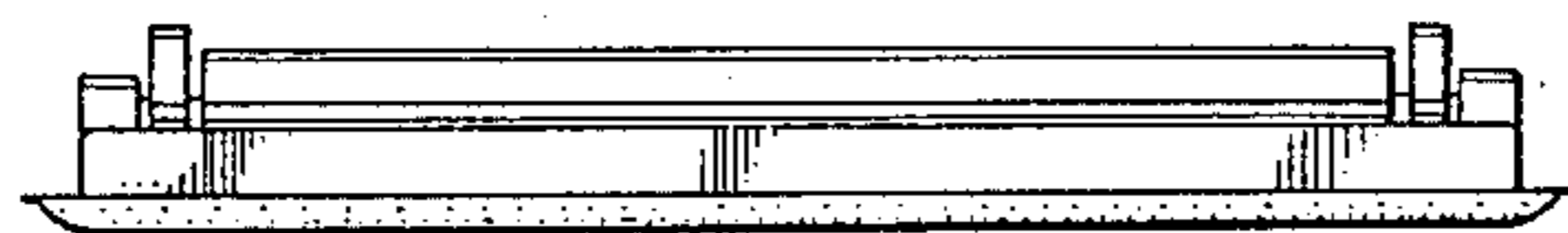


FIG. 4

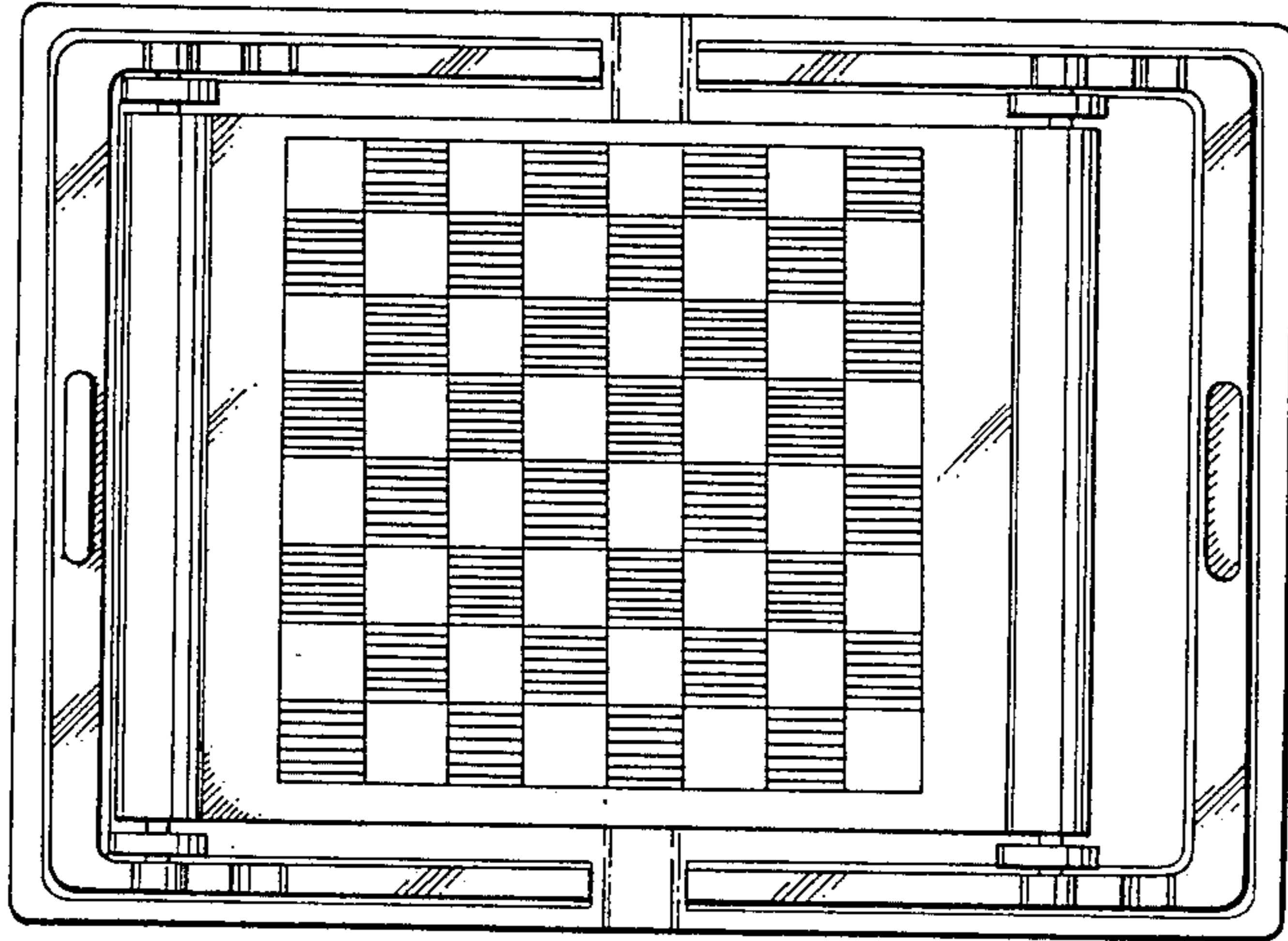


FIG. 5

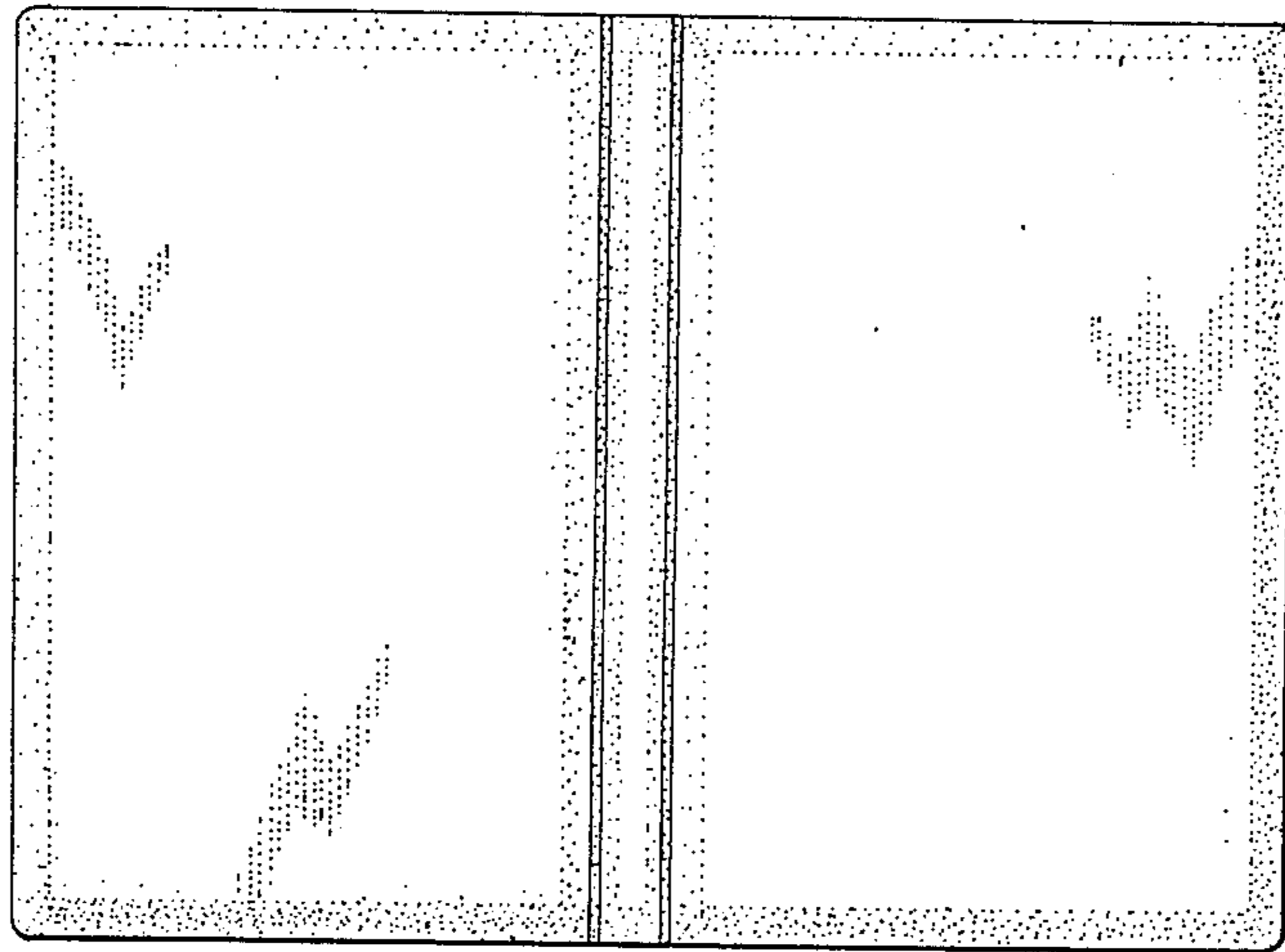


FIG. 6

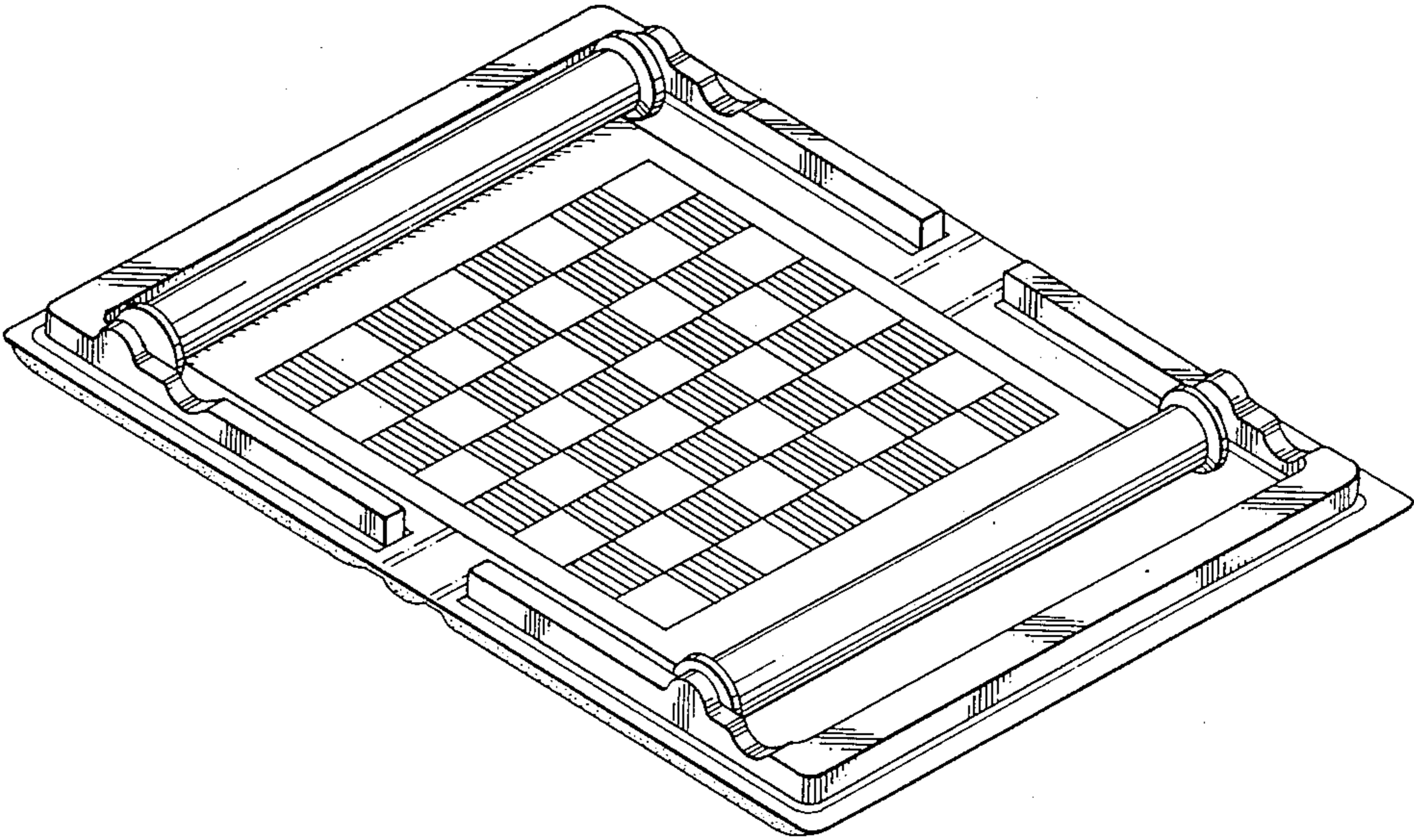


FIG. 7

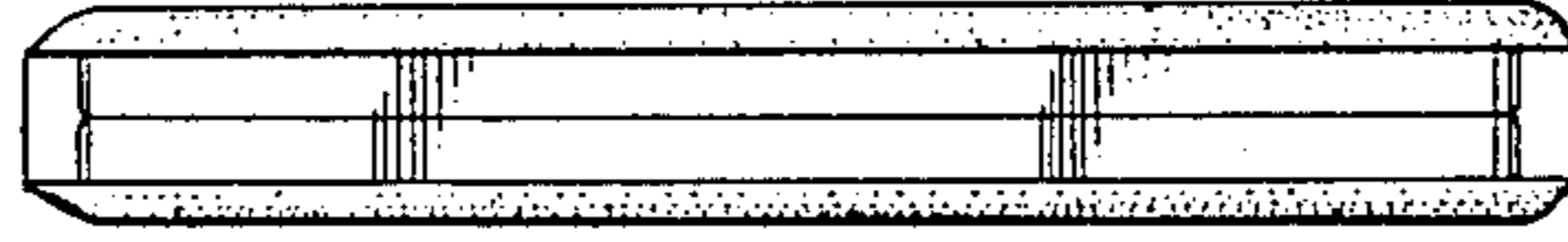


FIG. 8

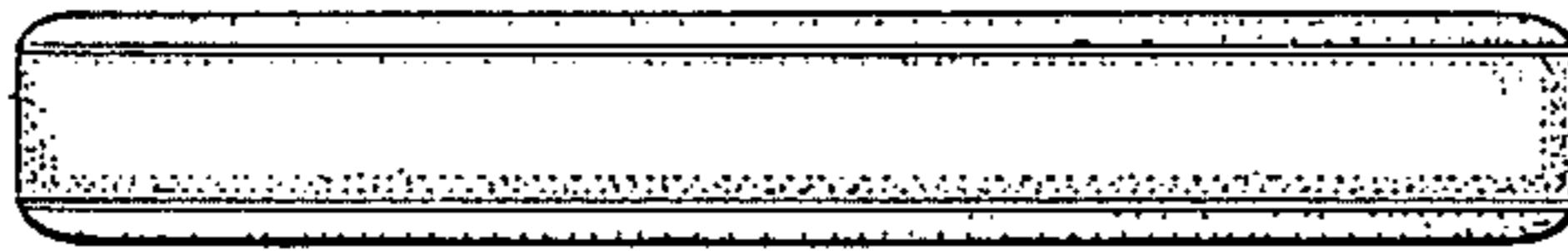


FIG. 9

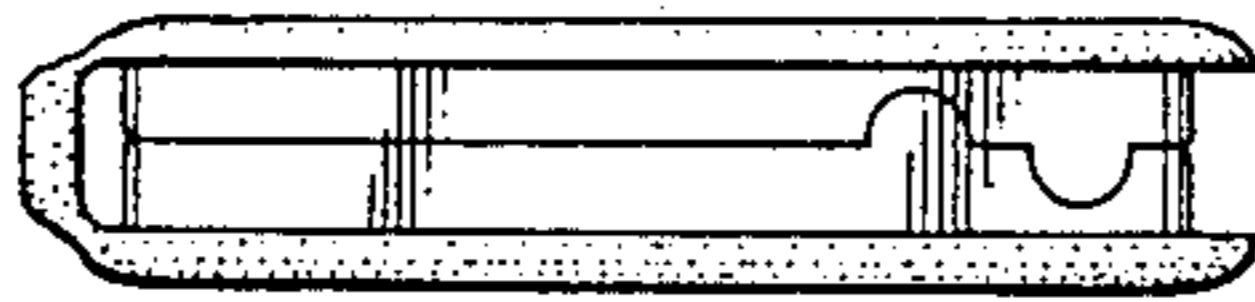


FIG. 10

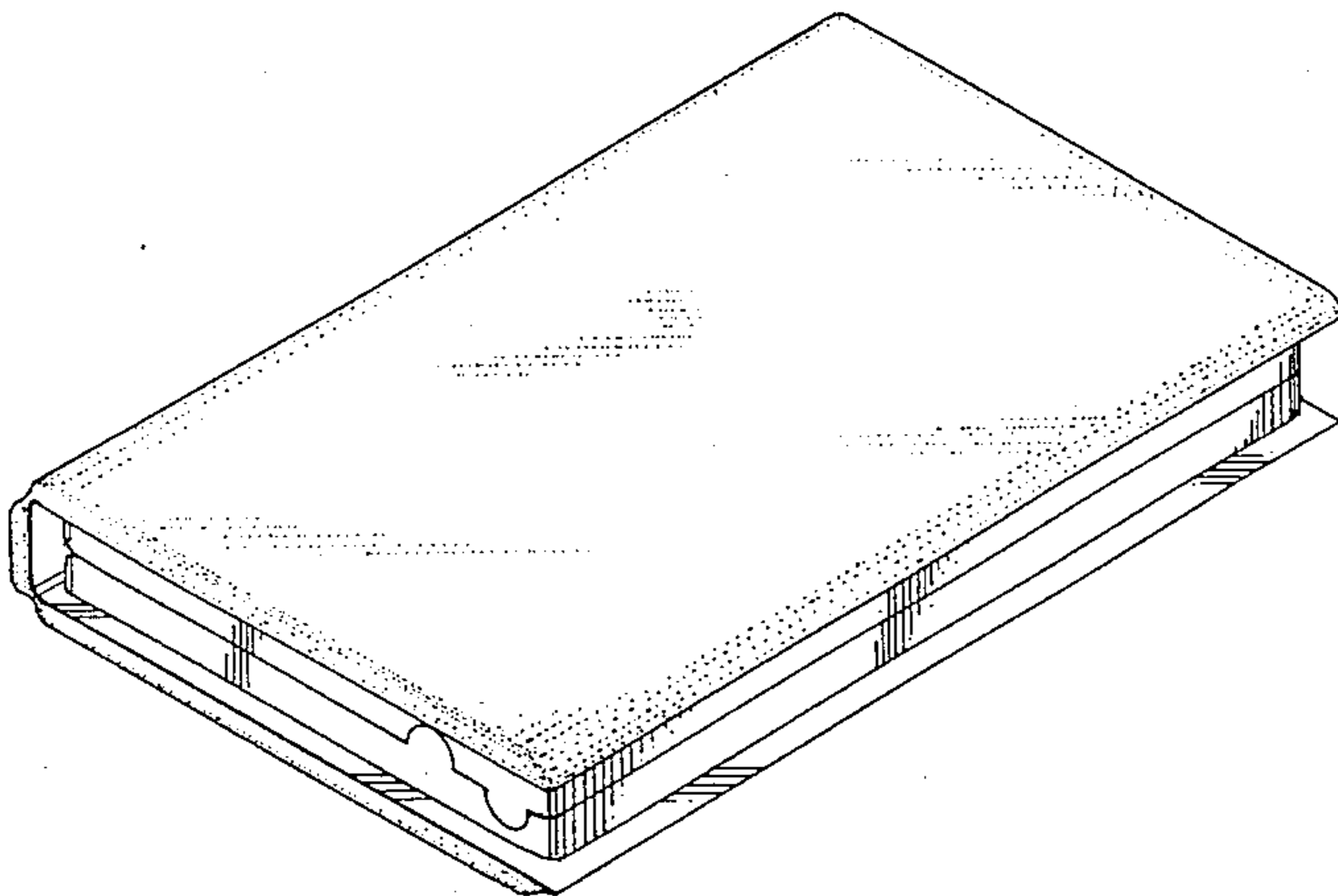


FIG. 11