

# United States Patent [19]

Danielsson

[11] Patent Number: **Des. 296,907**

[45] Date of Patent: **\*\* Jul. 26, 1988**

[54] **DESK ORGANIZER**

[76] Inventor: **Hans O. Danielsson, Box 16502,  
S-250 16 Helsingborg, Sweden**

[\*\*] Term: **14 Years**

[21] Appl. No.: **787,756**

[22] Filed: **Oct. 15, 1985**

[30] **Foreign Application Priority Data**

Apr. 18, 1985 [SE] Sweden ..... 850997

[52] U.S. Cl. .... **D19/75**

[58] Field of Search ..... **D19/75-86;  
D3/74, 75; 211/9-11, 126; 206/425, 216**

[56] **References Cited**

## U.S. PATENT DOCUMENTS

D. 156,665 12/1949 Rodbell ..... D19/78

D. 209,882 1/1968 Andersen ..... D19/78

D. 245,783 9/1977 Fieni ..... D19/77

D. 257,778 1/1981 Macowski ..... D19/77

*Primary Examiner*—Charles A. Rademaker  
*Attorney, Agent, or Firm*—Shapiro and Shapiro

[57] **CLAIM**

The ornamental design for a desk organizer, substantially as shown and described.

## DESCRIPTION

FIG. 1 is a front perspective view of a desk organizer showing my new design with the cover in a raised position;

FIG. 2 is a rear perspective view thereof;

FIG. 3 is another front perspective view thereof with the cover in a closed position;

FIG. 4 is a front perspective view thereof with the cover removed; and

FIG. 5 is a rear perspective view thereof.

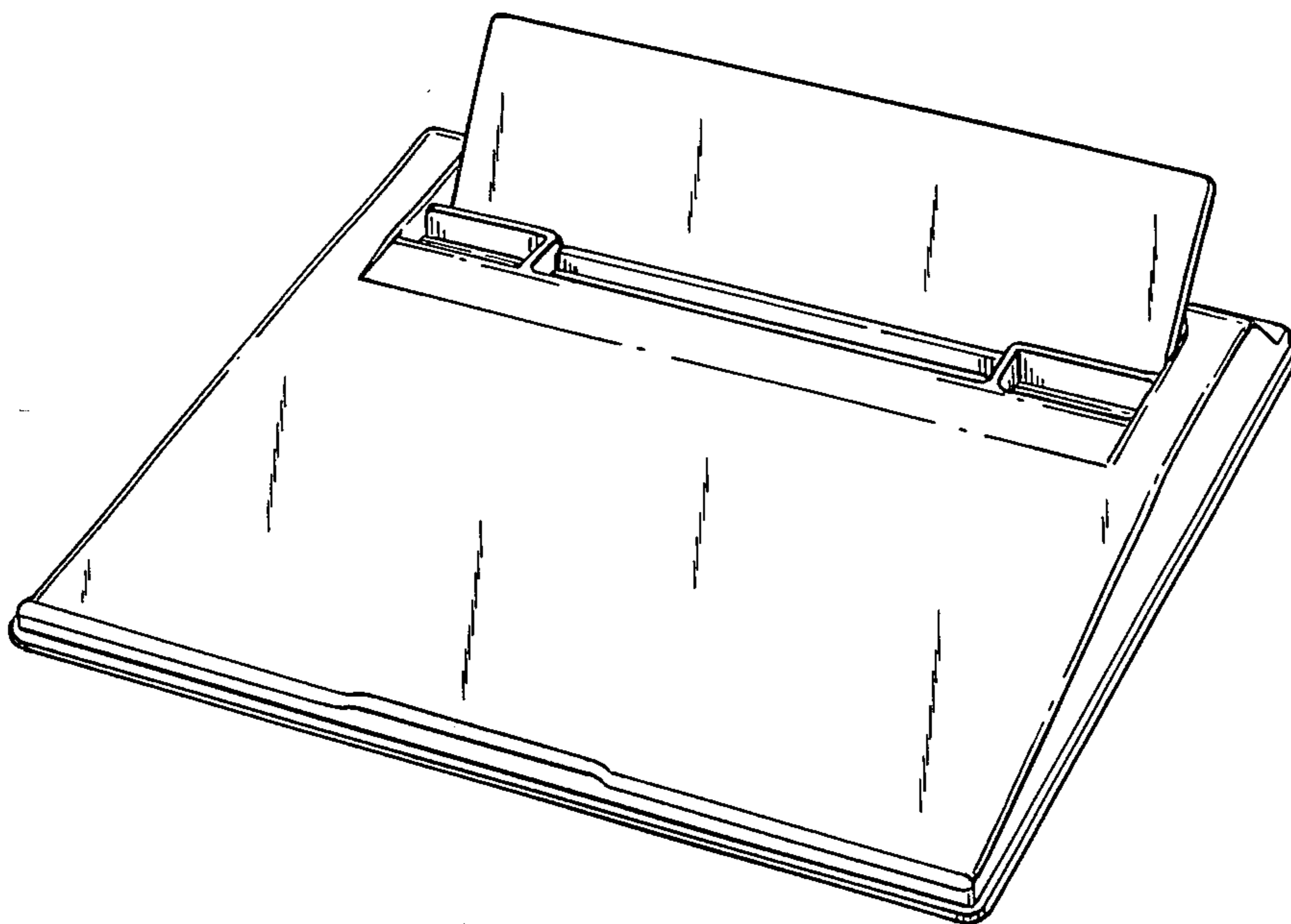


FIG. 1

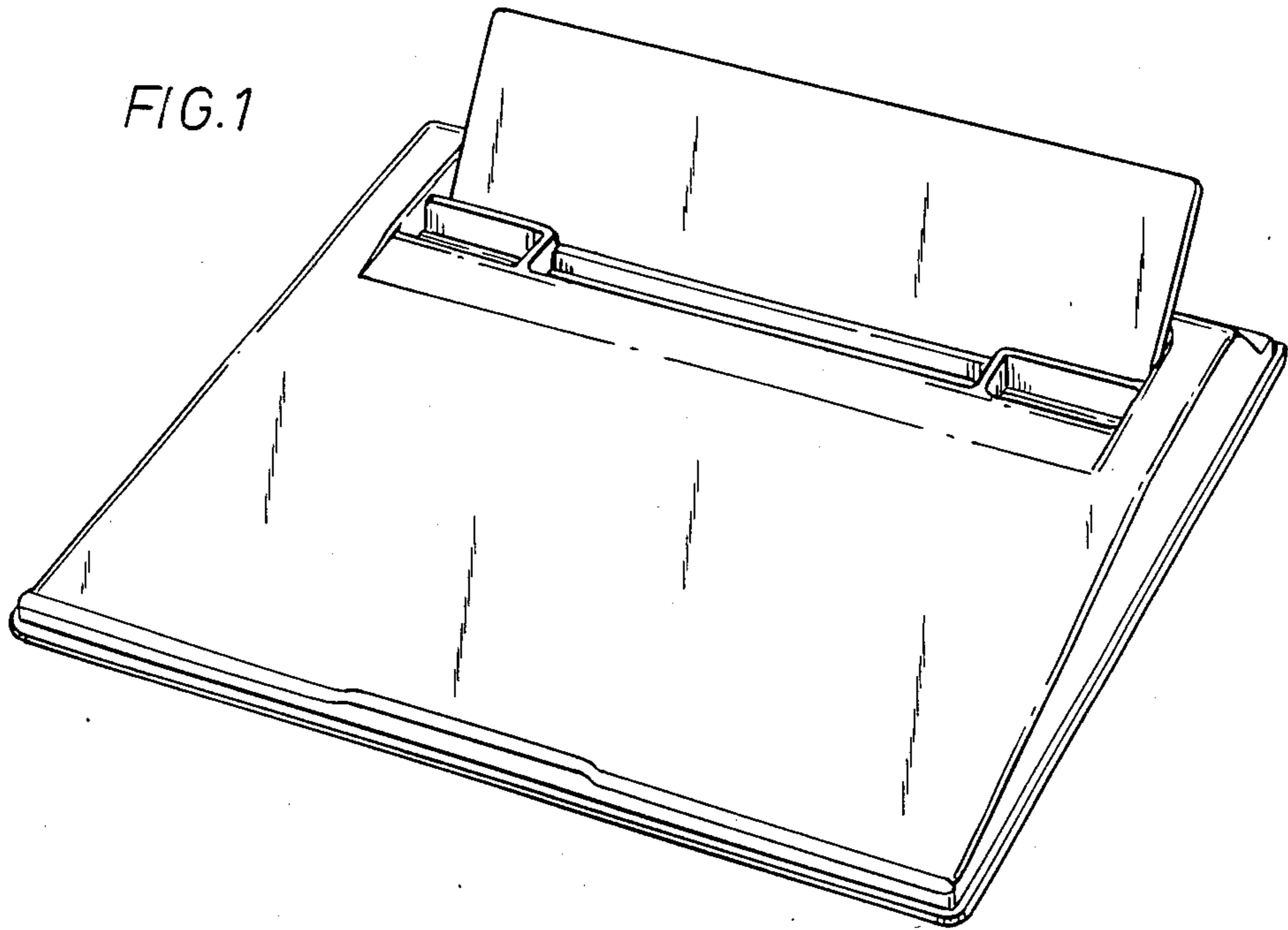


FIG. 2

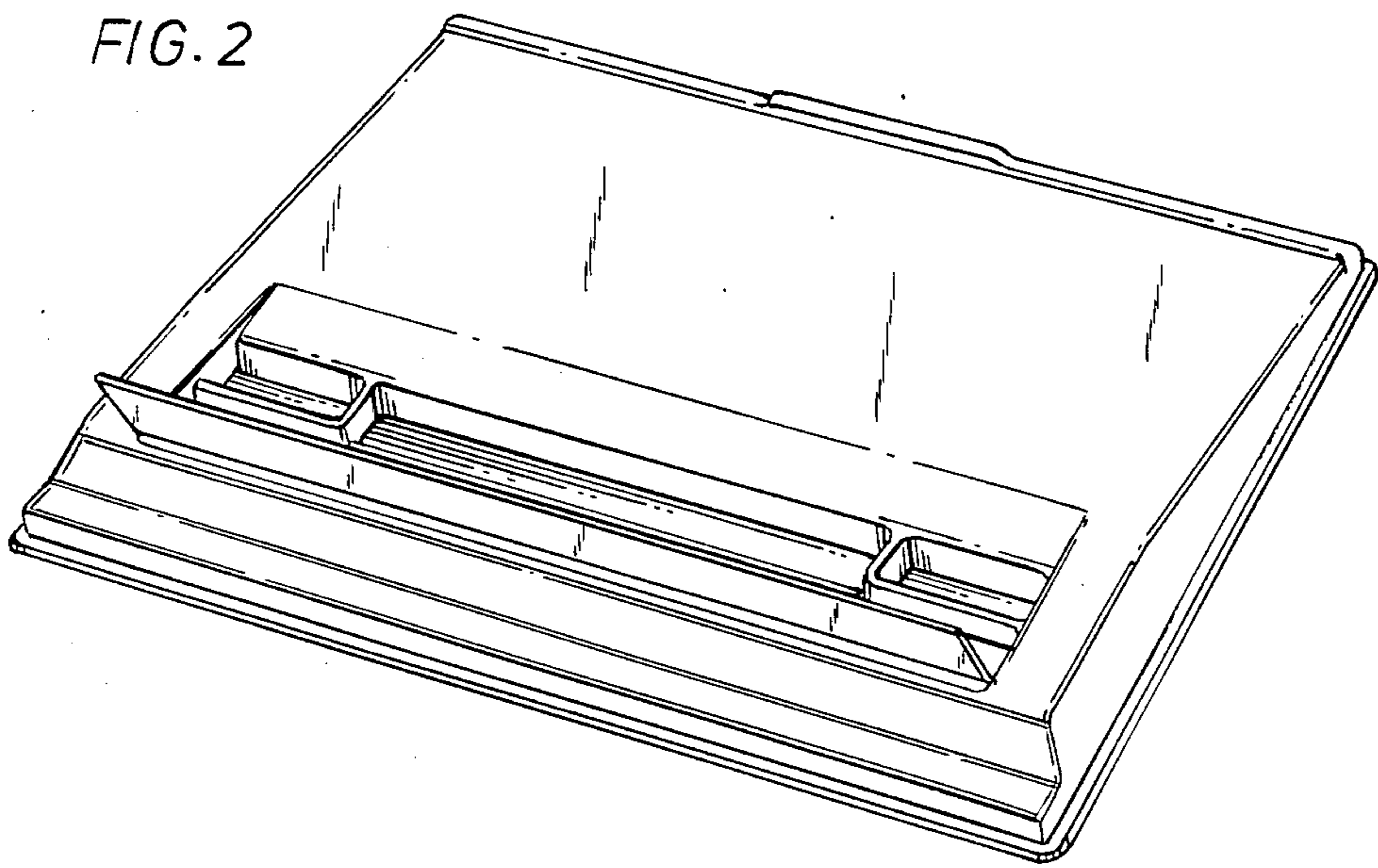


FIG. 3

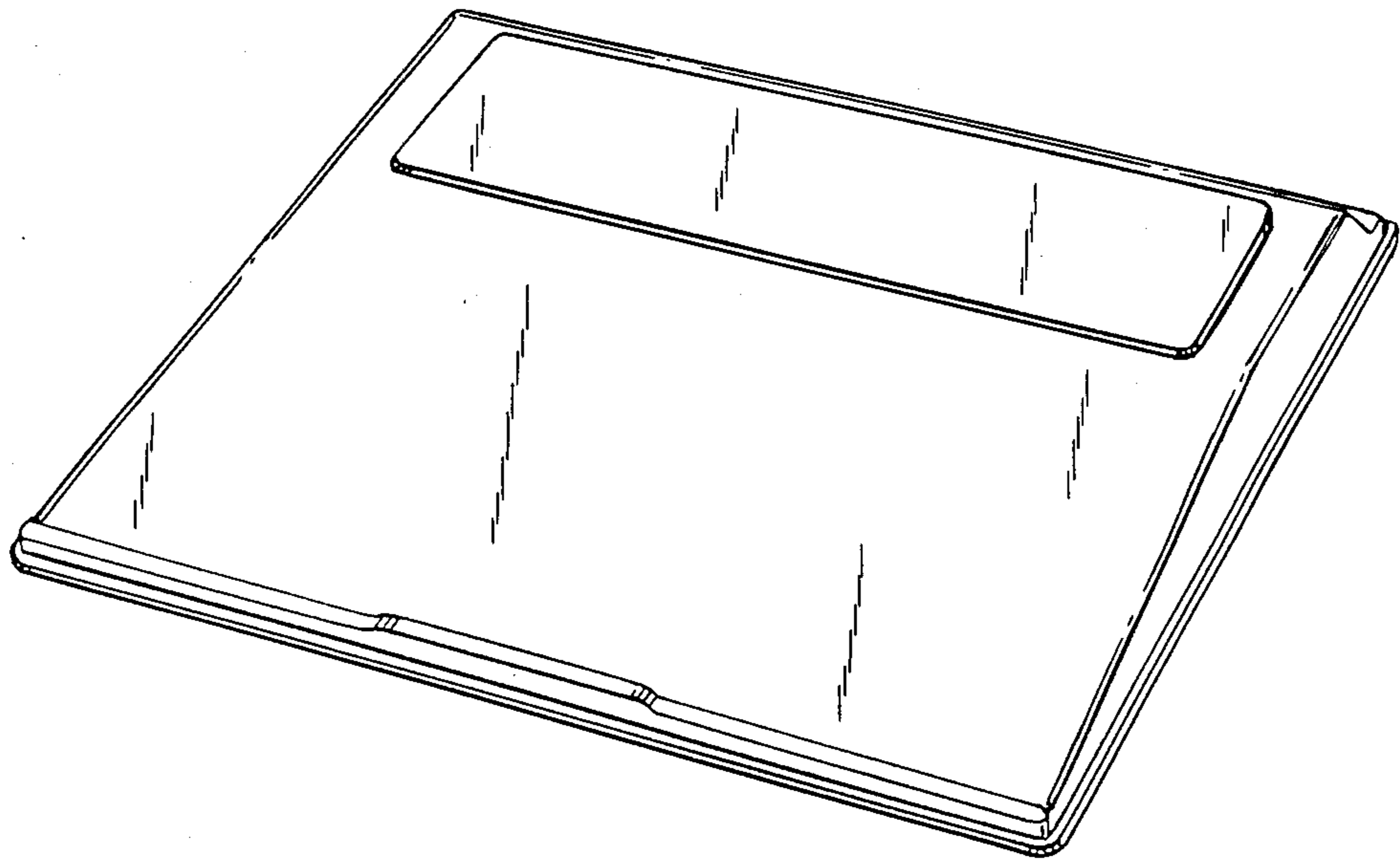


FIG. 4

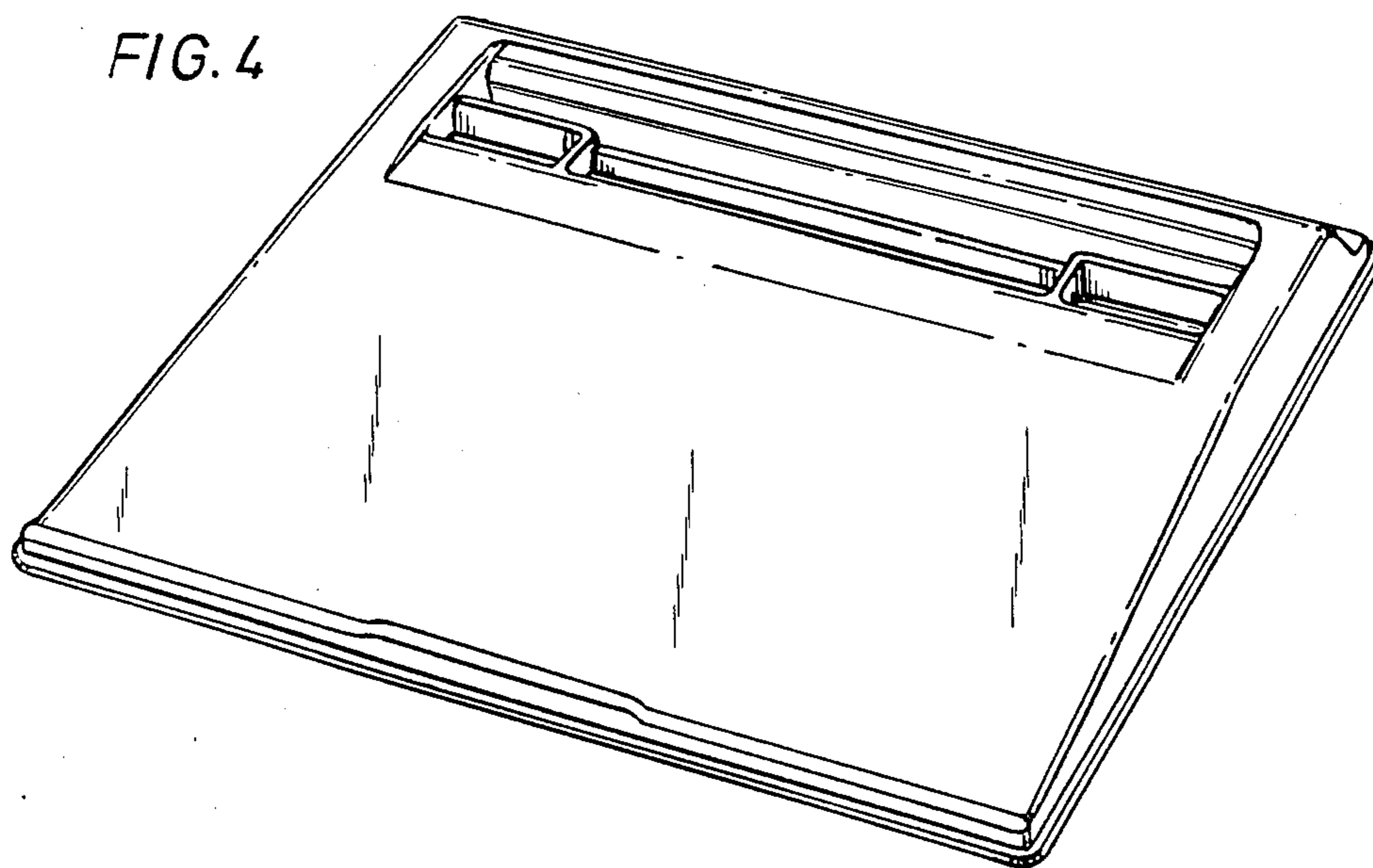


FIG. 5

