

[54] **SNARE DRUM LUG**

4,334,458 6/1982 Grauso 84/411 R

[76] **Inventor: Charles J. Donnelli, 309 Connecticut Ave., Newington, Conn. 06111**

Primary Examiner—Bernard Ansher
Assistant Examiner—Theodore M. Shooman
Attorney, Agent, or Firm—McCormick, Paulding & Huber

[**] **Term: 14 Years**

[21] **Appl. No.: 822,647**

[57] **CLAIM**

[22] **Filed: Jan. 27, 1986**

The ornamental design for a snare drum lug, as shown and described.

[52] **U.S. Cl. D17/22**

[58] **Field of Search D17/22, 99; 84/411, 84/411 A, 411 M, 411 P, 413, 419, 420, 421**

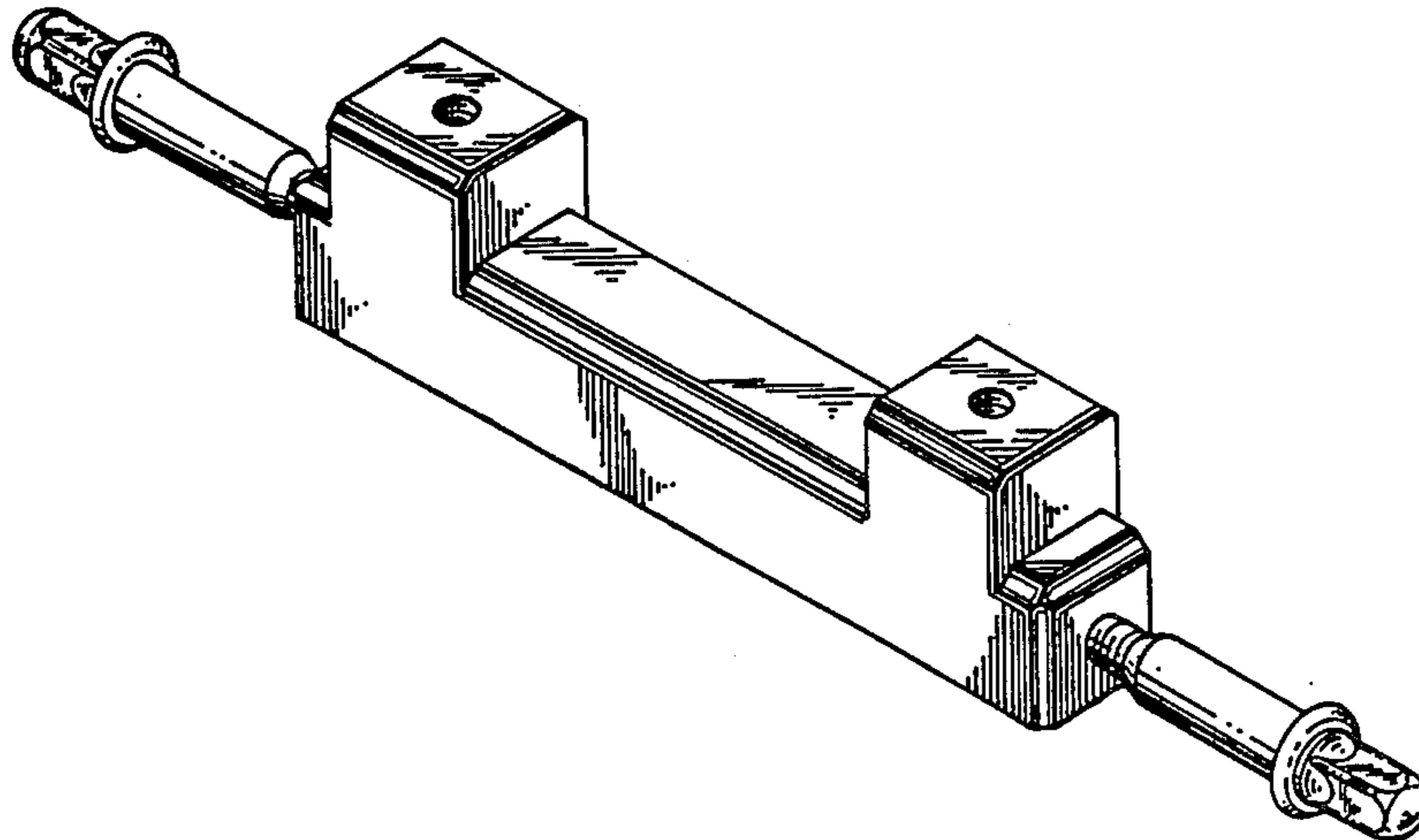
DESCRIPTION

[56] **References Cited**

U.S. PATENT DOCUMENTS

D. 151,640 11/1948 Ludwig D17/22
D. 279,906 7/1985 Ireland D17/22
570,693 11/1896 Bemis 84/411
3,136,201 6/1964 Lang et al. 84/411

FIG. 1 is a top, front and right side perspective view of a snare drum lug showing my new design;
FIG. 2 is a top plan view thereof;
FIG. 3 is a front elevational view thereof, the rear being a mirror image;
FIG. 4 is a bottom plan view thereof; and
FIG. 5 is a left side elevational view thereof, the right side being a mirror image.



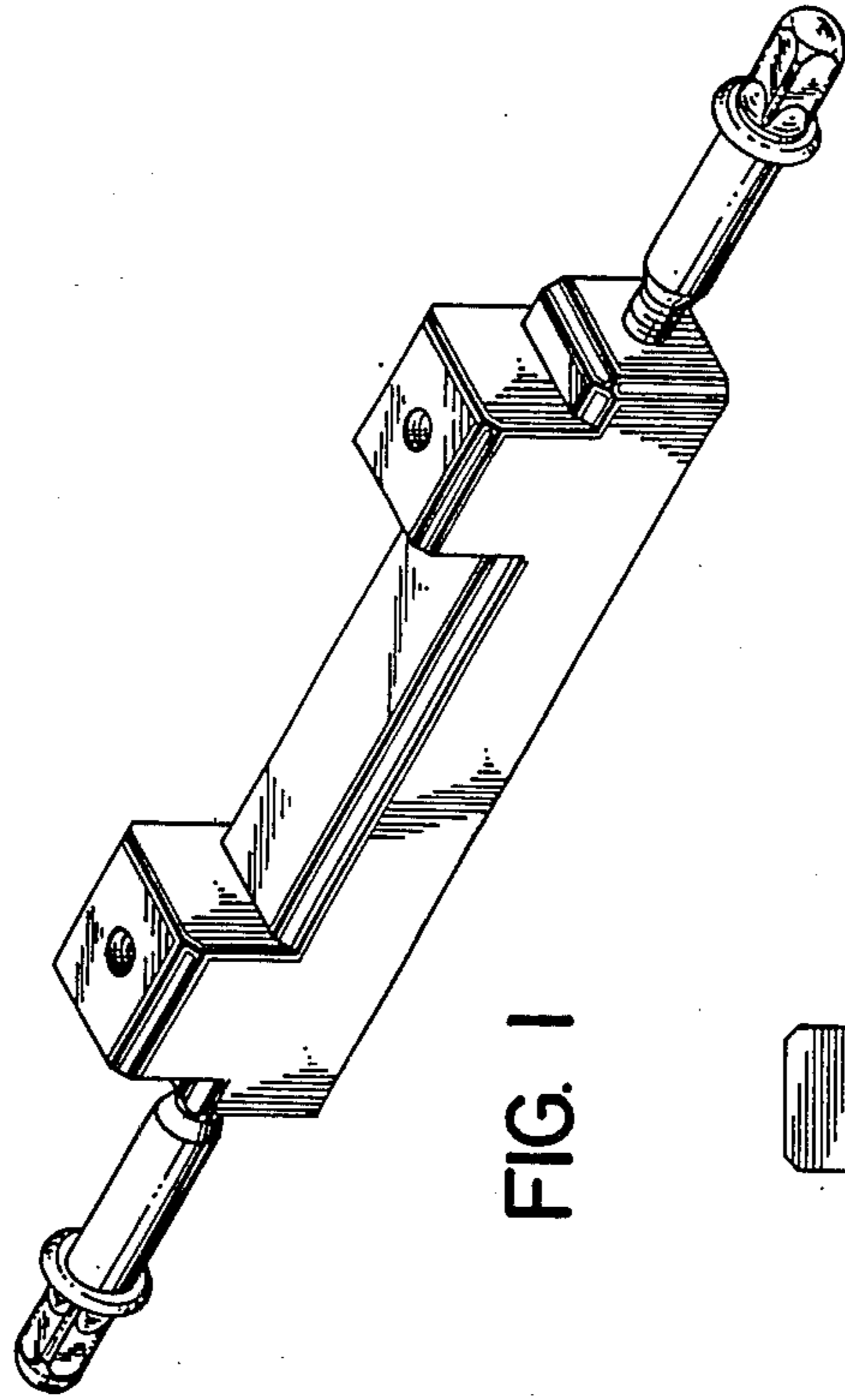


FIG. 1

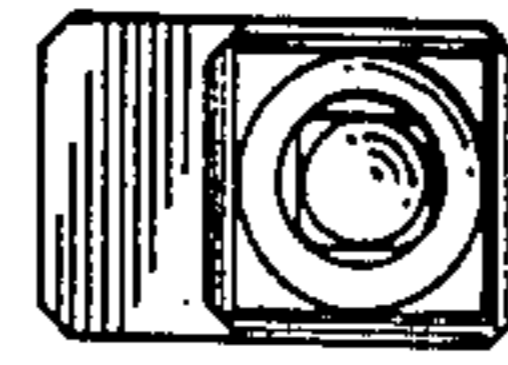


FIG. 5



FIG. 2



FIG. 3

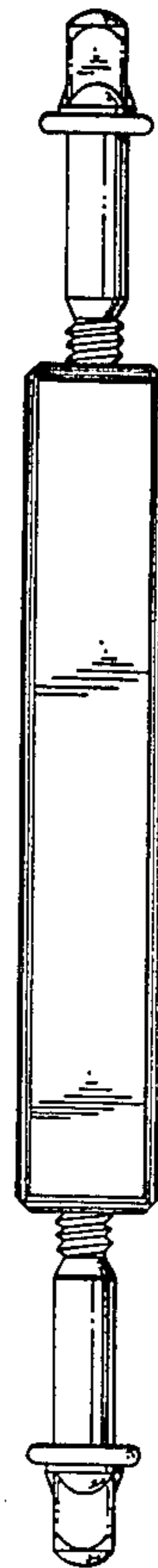


FIG. 4