

[54] **COPYING MACHINE**

[75] **Inventor: Yoshihisa Ooie, Osaka, Japan**

[73] **Assignee: Sharp Corporation, Osaka, Japan**

[**] **Term: 14 Years**

[21] **Appl. No.: 813,100**

[22] **Filed: Dec. 24, 1985**

[30] **Foreign Application Priority Data**

Jun. 25, 1985 [JP] Japan 60-27351

[52] **U.S. Cl. D16/31**

[58] **Field of Search D16/27-32;**
355/3 R, 3 SH, 5-11, 14 R, 14 SH, 18-19, 51,
54, 64-65

[56] **References Cited**

U.S. PATENT DOCUMENTS

D. 250,030 10/1978 Mikami D16/31

D. 267,802 2/1983 Yasutami D16/31
D. 280,907 10/1985 Imada D16/31
D. 292,591 11/1987 Morozumi D16/31
D. 292,593 11/1987 Morozumi D16/31

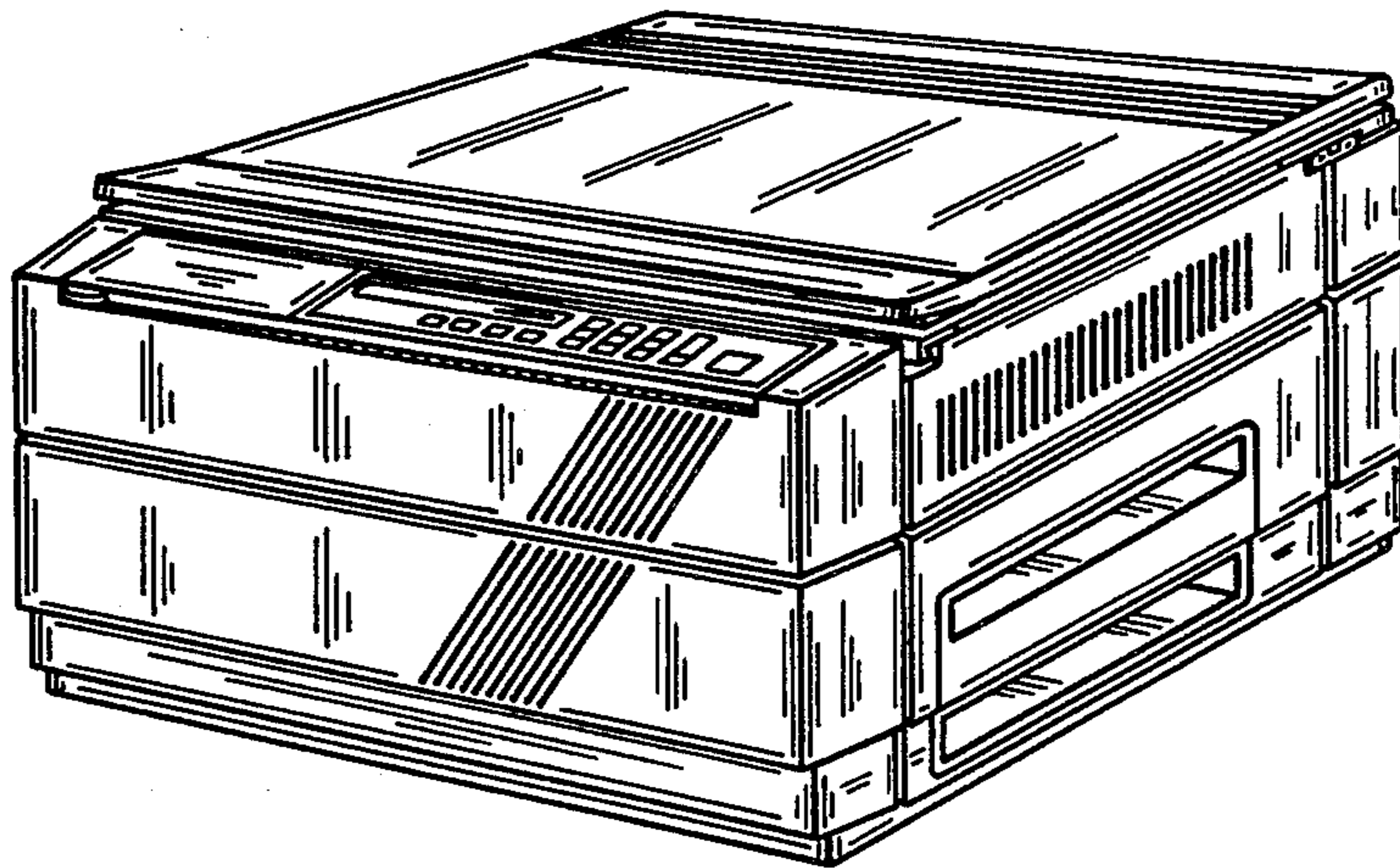
Primary Examiner—Nelson C. Holtje
Attorney, Agent, or Firm—Flehr, Hohbach, Test,
Albritton & Herbert

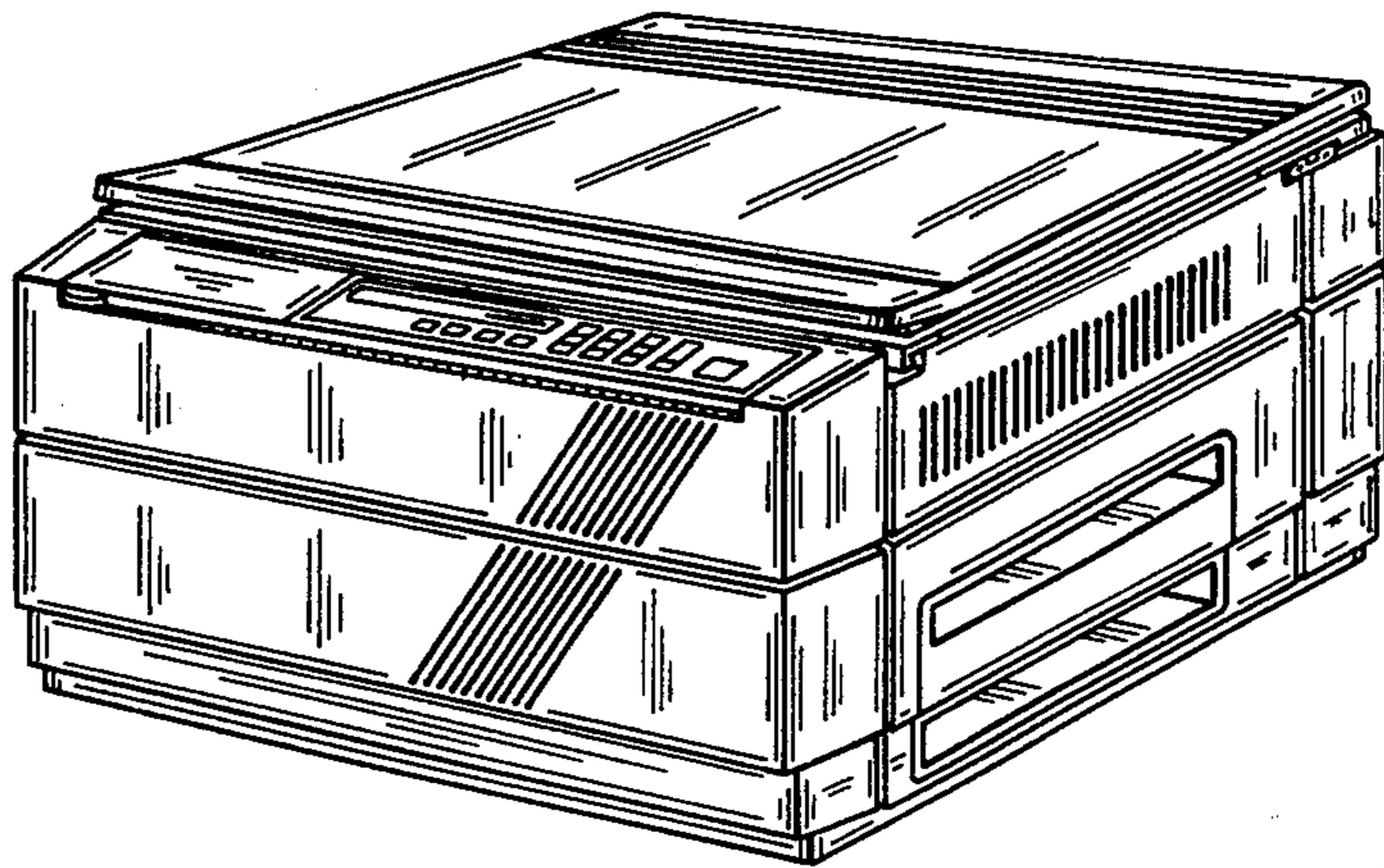
[57] **CLAIM**

The ornamental design for a copying machine, as shown and described.

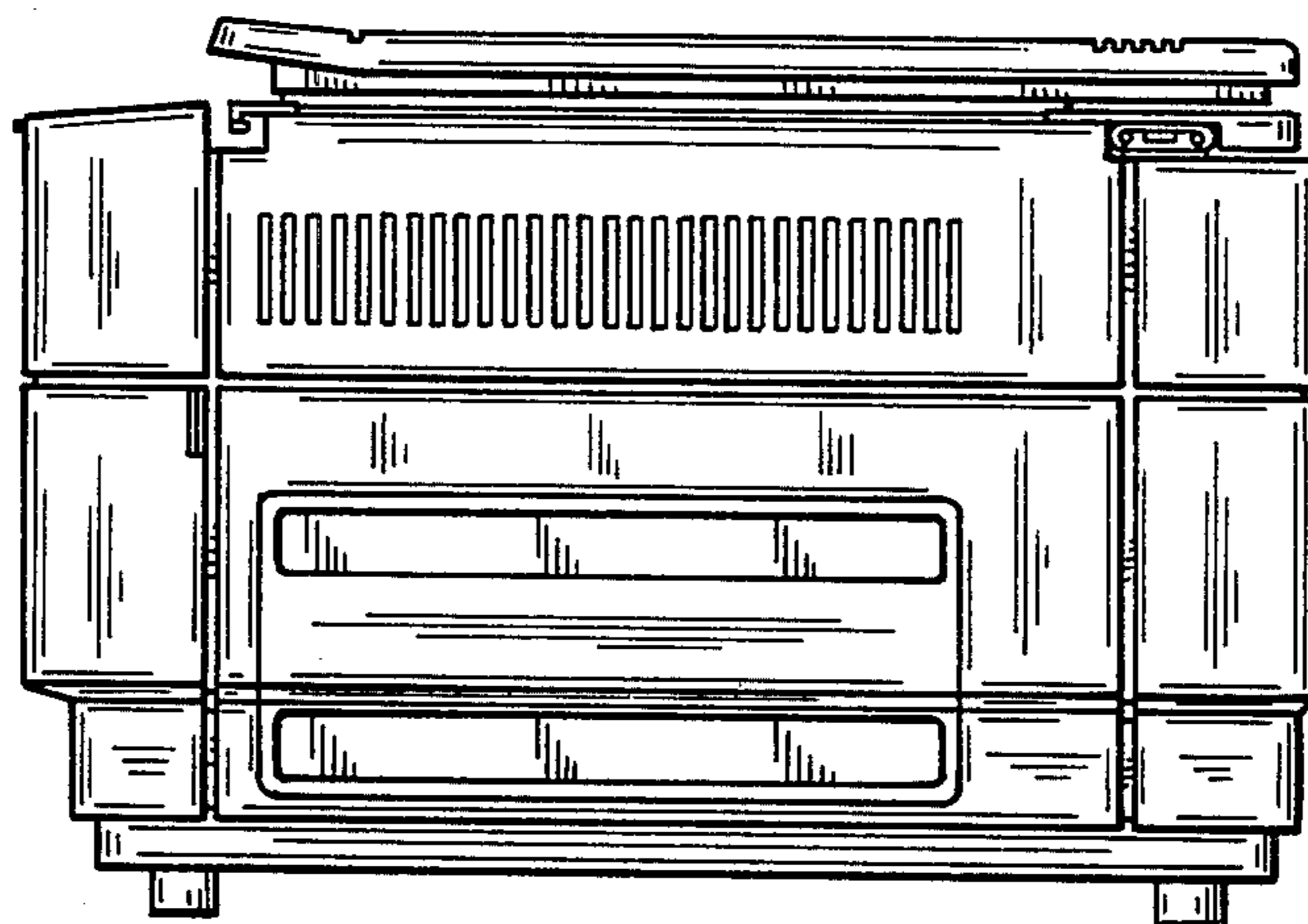
DESCRIPTION

FIG. 1 is a perspective view on a reduced scale of the copying machine showing my new design; FIG. 2 is a top plan view thereof; FIG. 3 is a bottom plan view thereof; FIG. 4 is a front elevational view thereof; FIG. 5 is a rear elevational view thereof; FIG. 6 is a right side elevational view thereof; and FIG. 7 is a left side elevational view thereof.

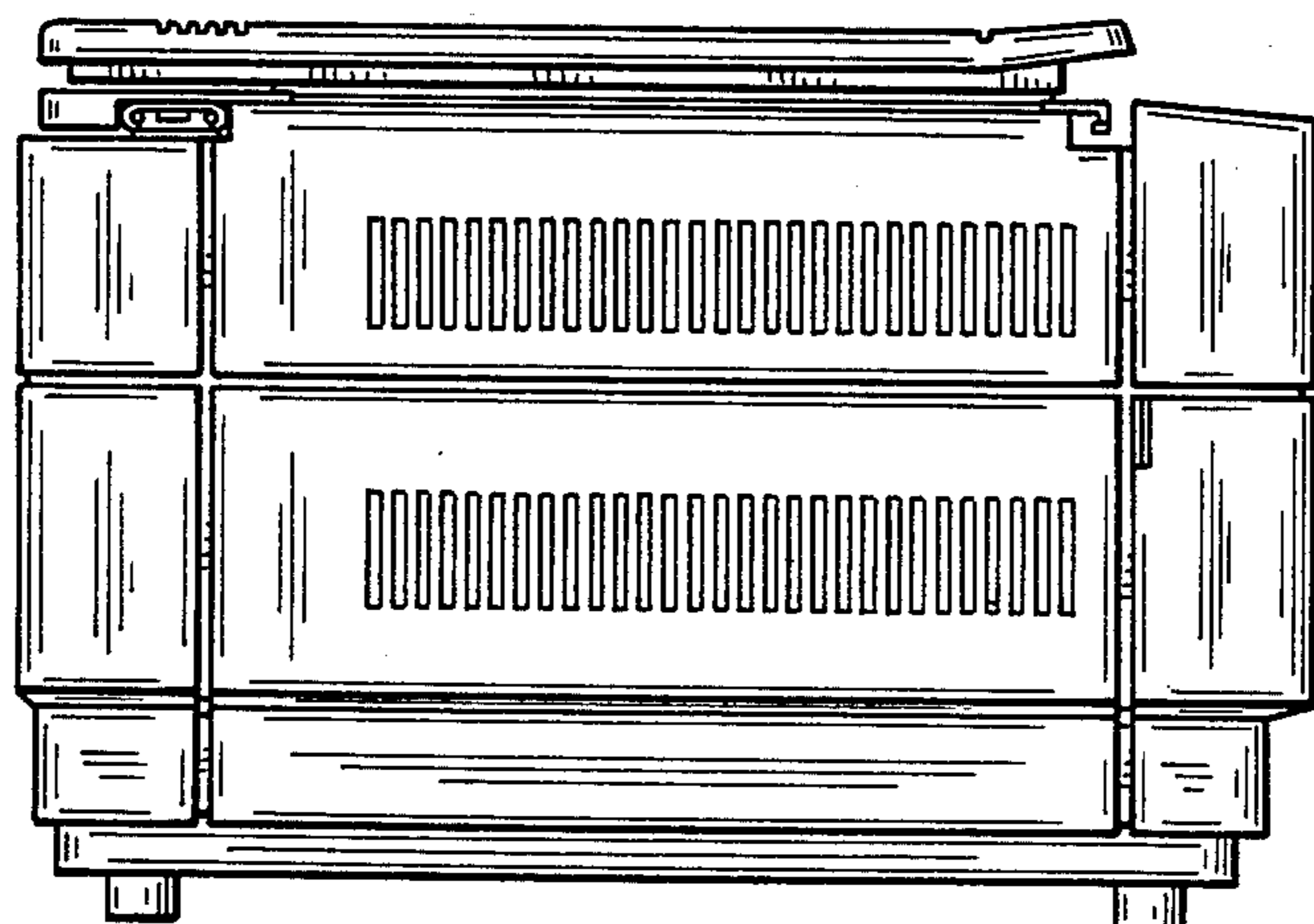




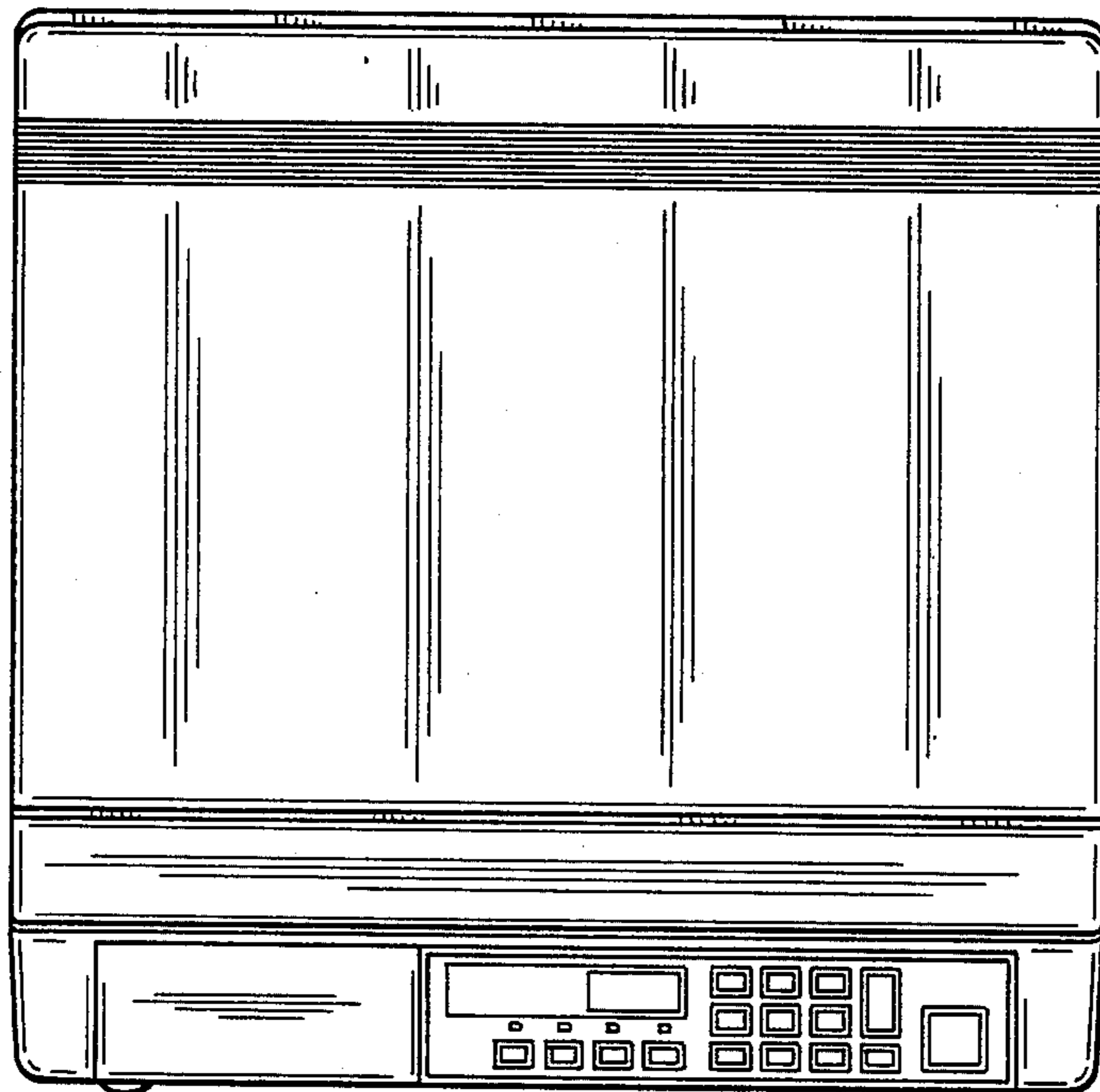
FIG_1



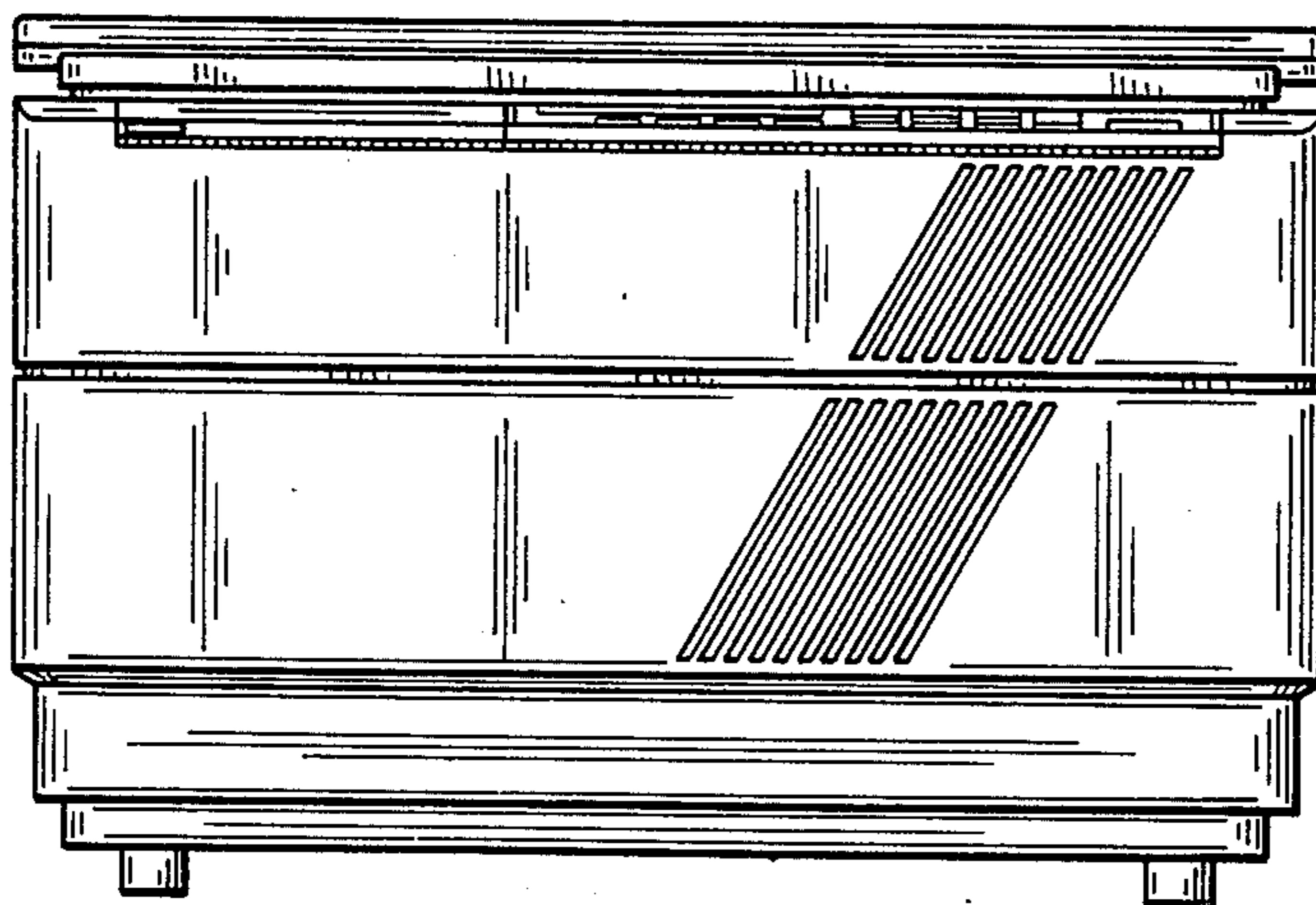
FIG_6



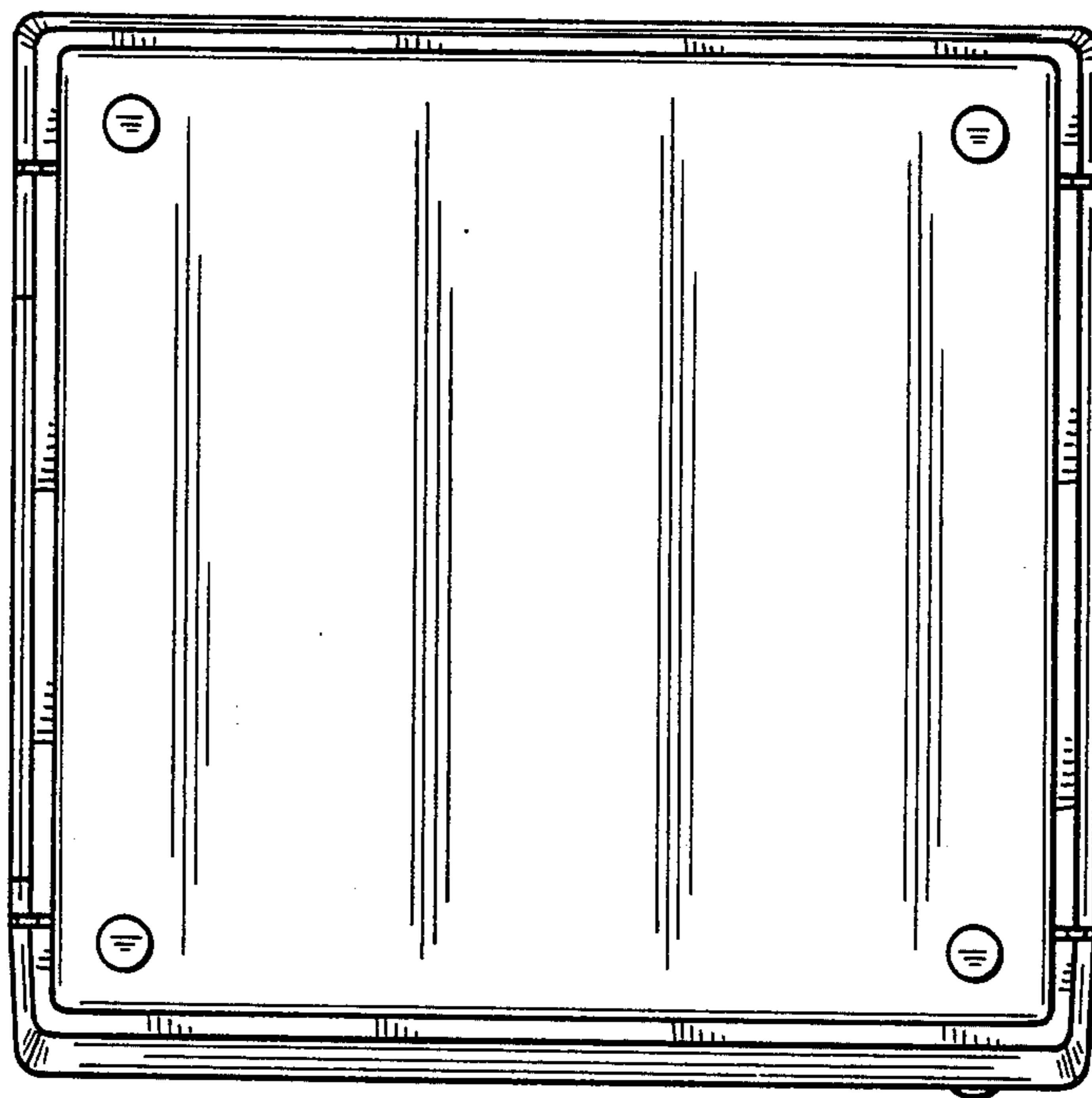
FIG_7



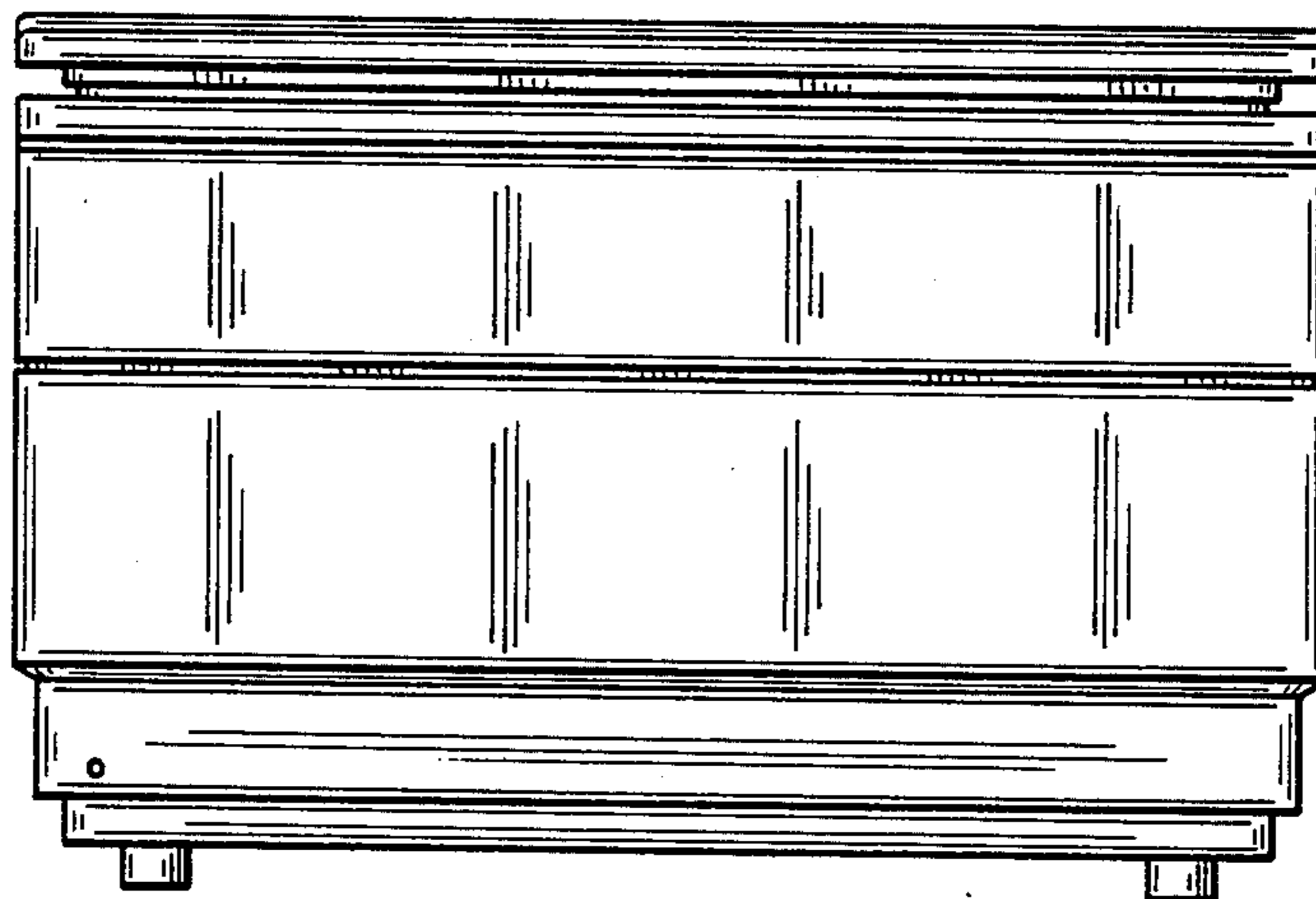
FIG_2



FIG_4



FIG_3



FIG_5