

# United States Patent [19]

Kosako et al.

[11] Patent Number: **Des. 296,901**

[45] Date of Patent: **\*\* Jul. 26, 1988**

[54] **COPYING MACHINE**

[75] Inventors: **Mikio Kosako; Hiroshi Nishibori,**  
both of Osaka, Japan

[73] Assignee: **Sharp Corporation, Osaka, Japan**

[\*\*] Term: **14 Years**

[21] Appl. No.: **814,193**

[22] Filed: **Dec. 27, 1985**

[30] **Foreign Application Priority Data**

Jul. 8, 1985 [JP] Japan ..... 60-29437

[52] U.S. Cl. .... **D16/30**

[58] Field of Search ..... **D16/27-32;**  
**355/3 R, 3 SH, 5-11, 14 R, 14 SH, 18-19, 51,**  
**54, 97**

[56] **References Cited**

**U.S. PATENT DOCUMENTS**

D. 200,129	1/1965	Plantholt	.....	D16/30
D. 218,576	9/1970	Van Acker	.....	D16/30
D. 240,554	7/1976	Cross	.....	D16/30
D. 268,345	3/1983	Robertson	.....	D16/30
D. 270,537	9/1983	Hara	.....	D16/30

D. 275,863	10/1984	Hawley	.....	D16/30
3,602,639	8/1971	Alden	.....	355/8 X
4,165,168	8/1979	Baumann	.....	355/3 R
4,627,715	12/1986	Kikuno	.....	355/14 R

**OTHER PUBLICATIONS**

*Office Products Dealer*—5/83—p. 109—copier at top—right.

*Xerox 1035 Marathon brochure*—7/84—front—copier.

*Primary Examiner*—Nelson C. Holtje

*Attorney, Agent, or Firm*—Flehr, Hohbach, Test, Albritton & Herbert

[57] **CLAIM**

The ornamental design for a copying machine, as shown and described.

**DESCRIPTION**

FIG. 1 is a perspective view of the copying machine showing our new design;

FIG. 2 is a front elevational view thereof;

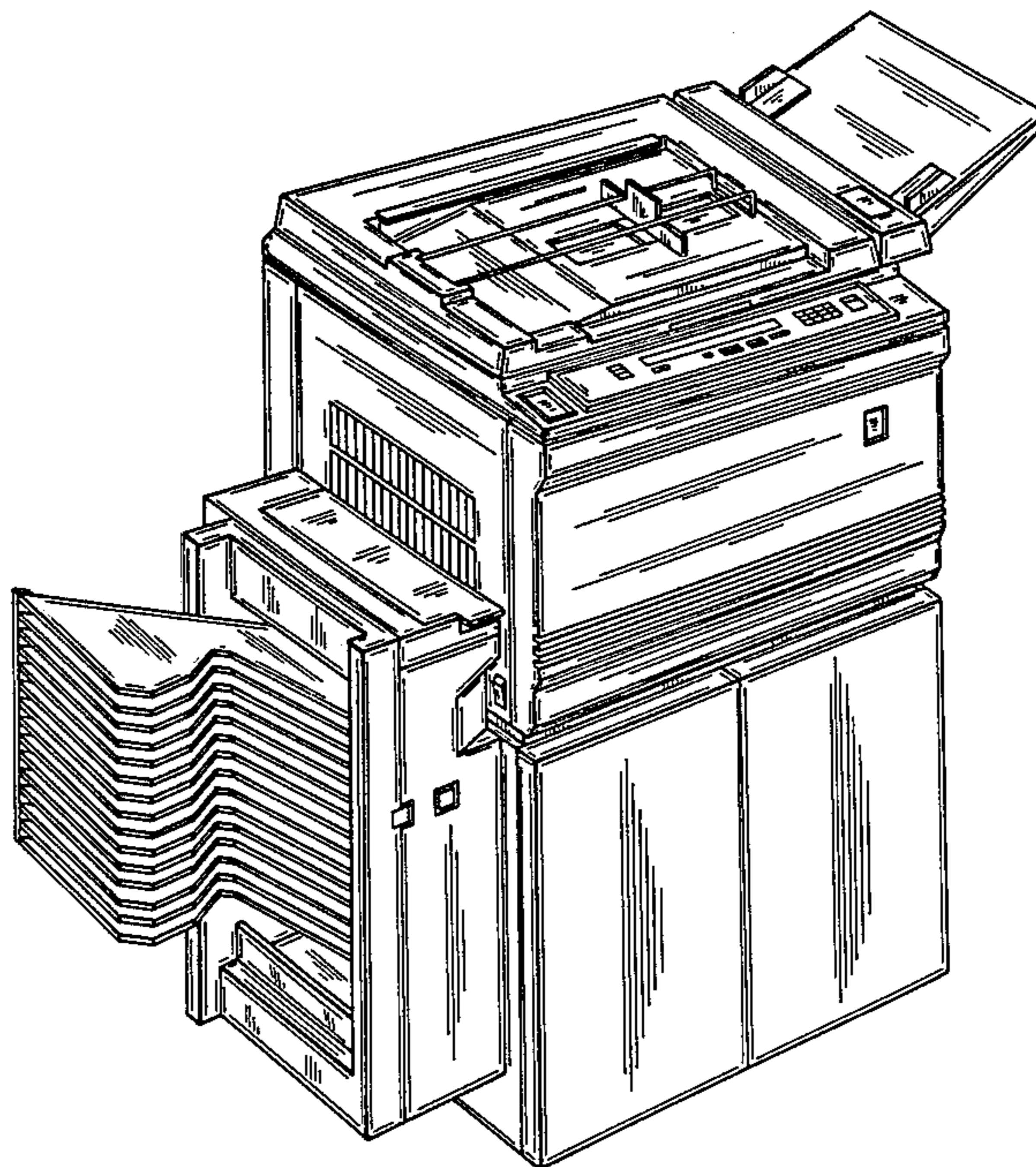
FIG. 3 is a rear elevational view thereof;

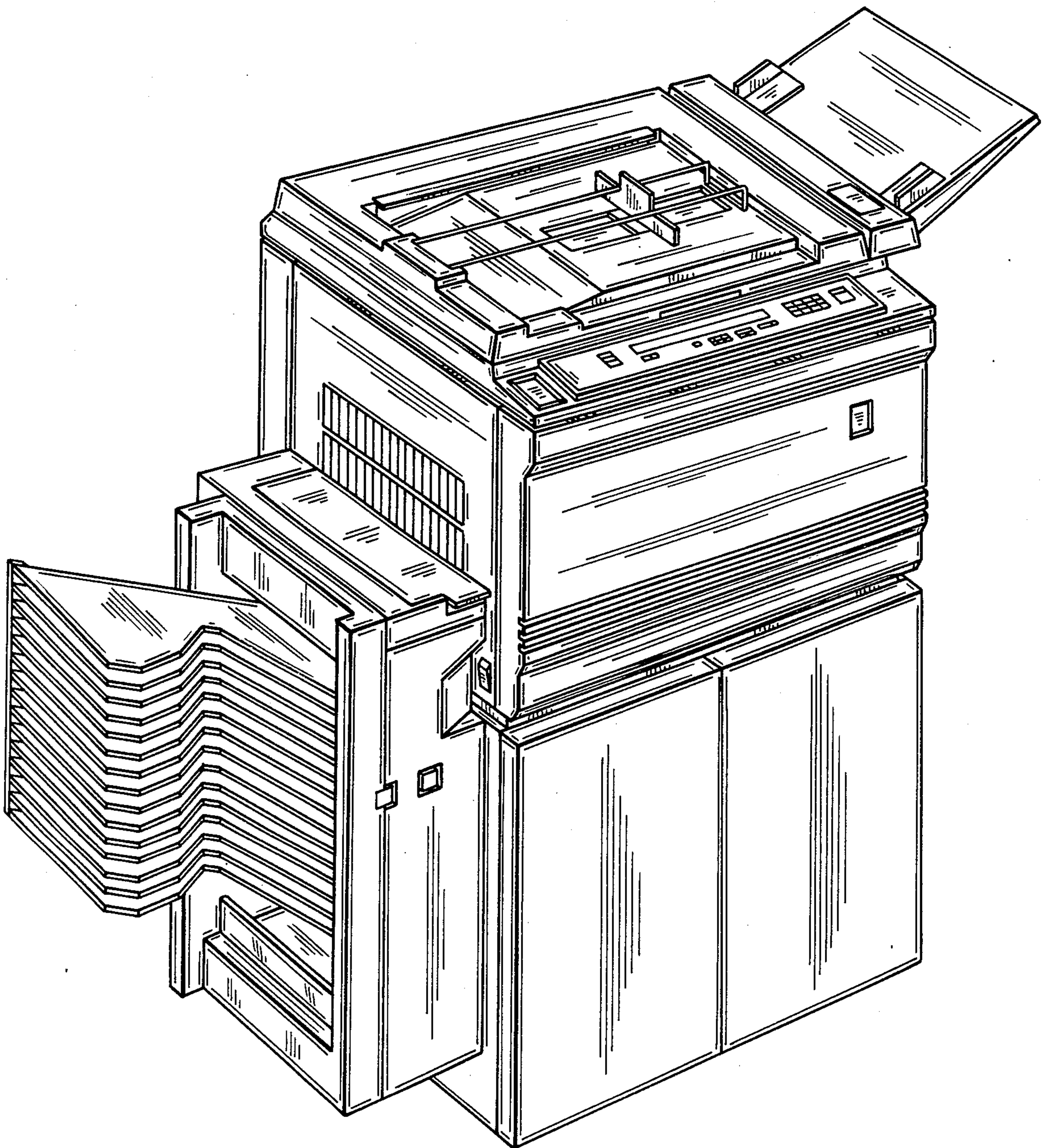
FIG. 4 is a right side elevational view thereof;

FIG. 5 is a left side elevational view thereof;

FIG. 6 is a top plan view thereof; and

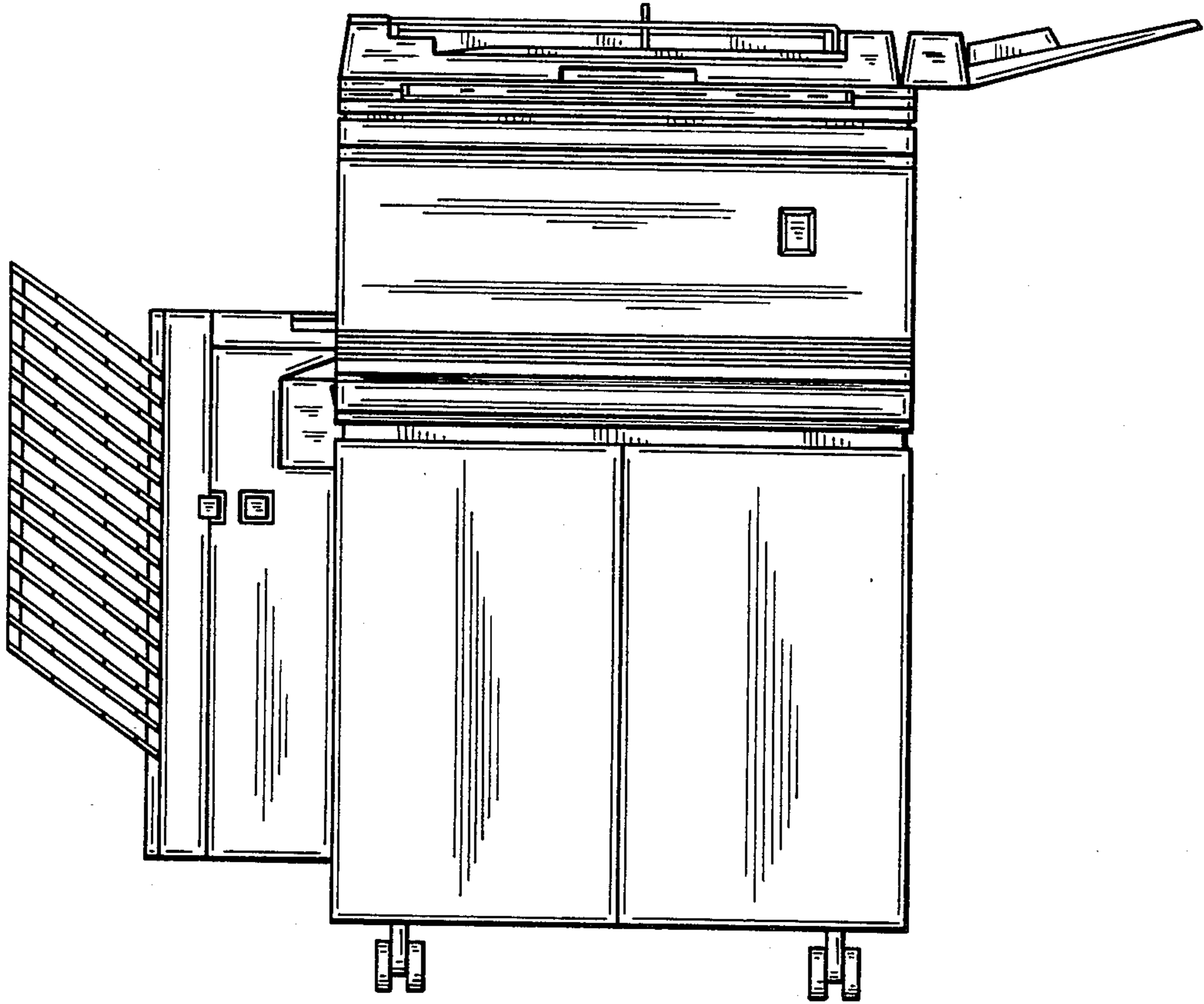
FIG. 7 is a bottom plan view thereof.



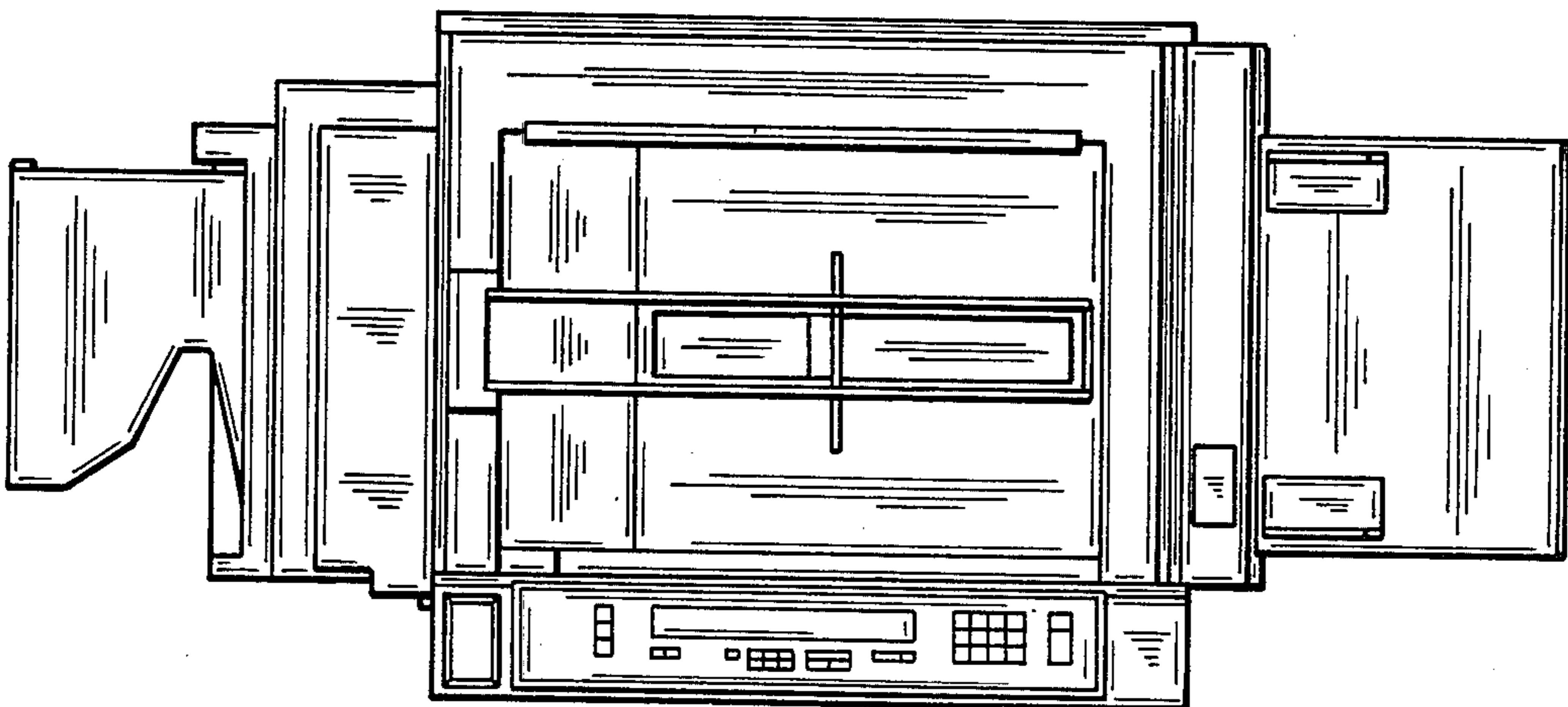


FIG\_1

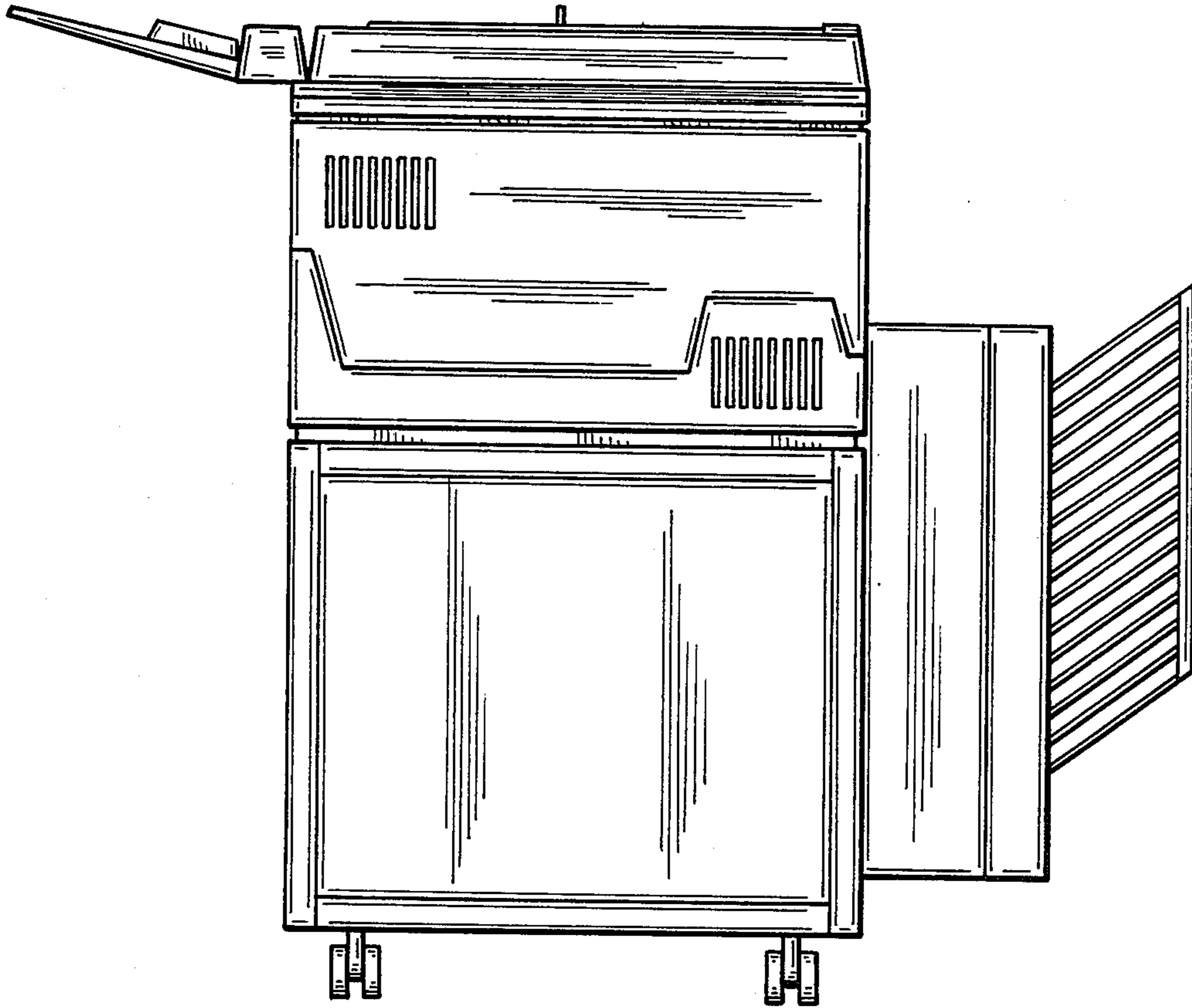




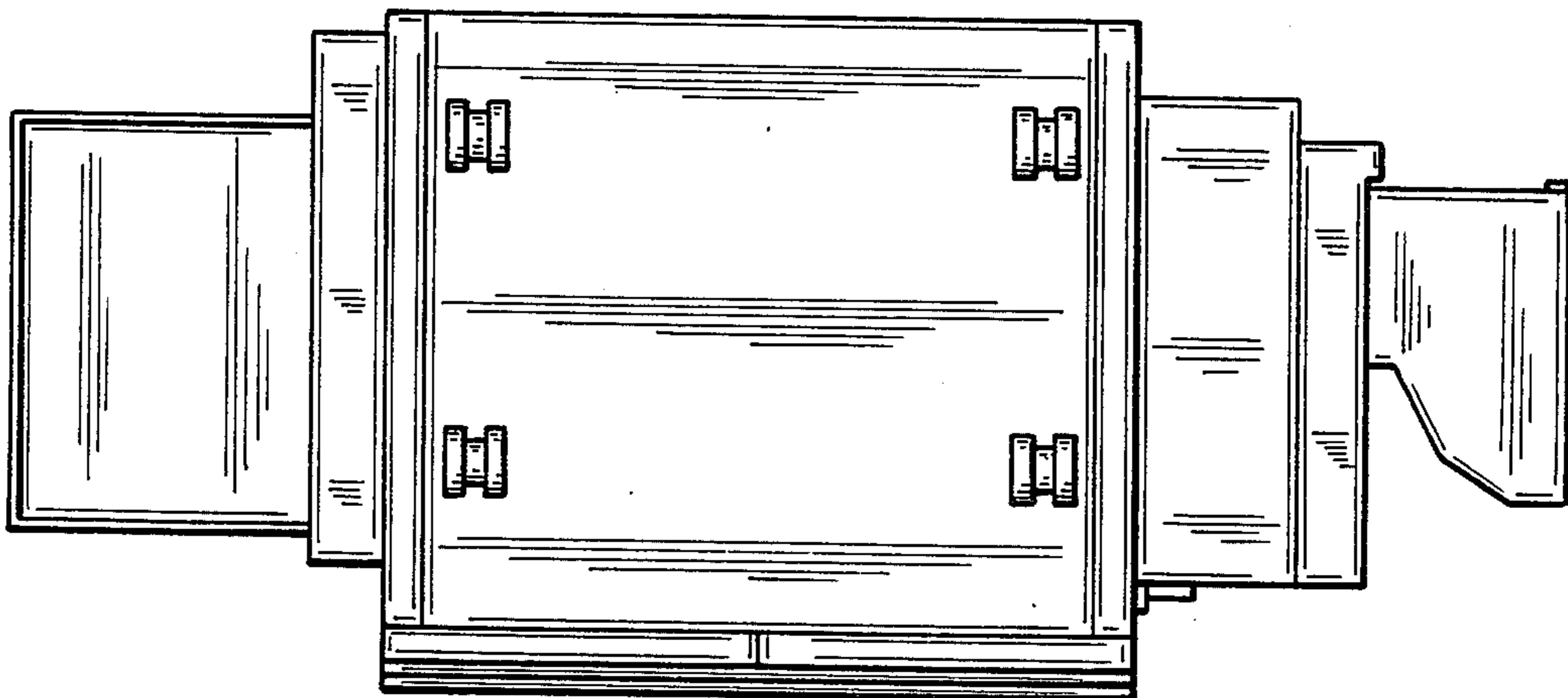
FIG\_2



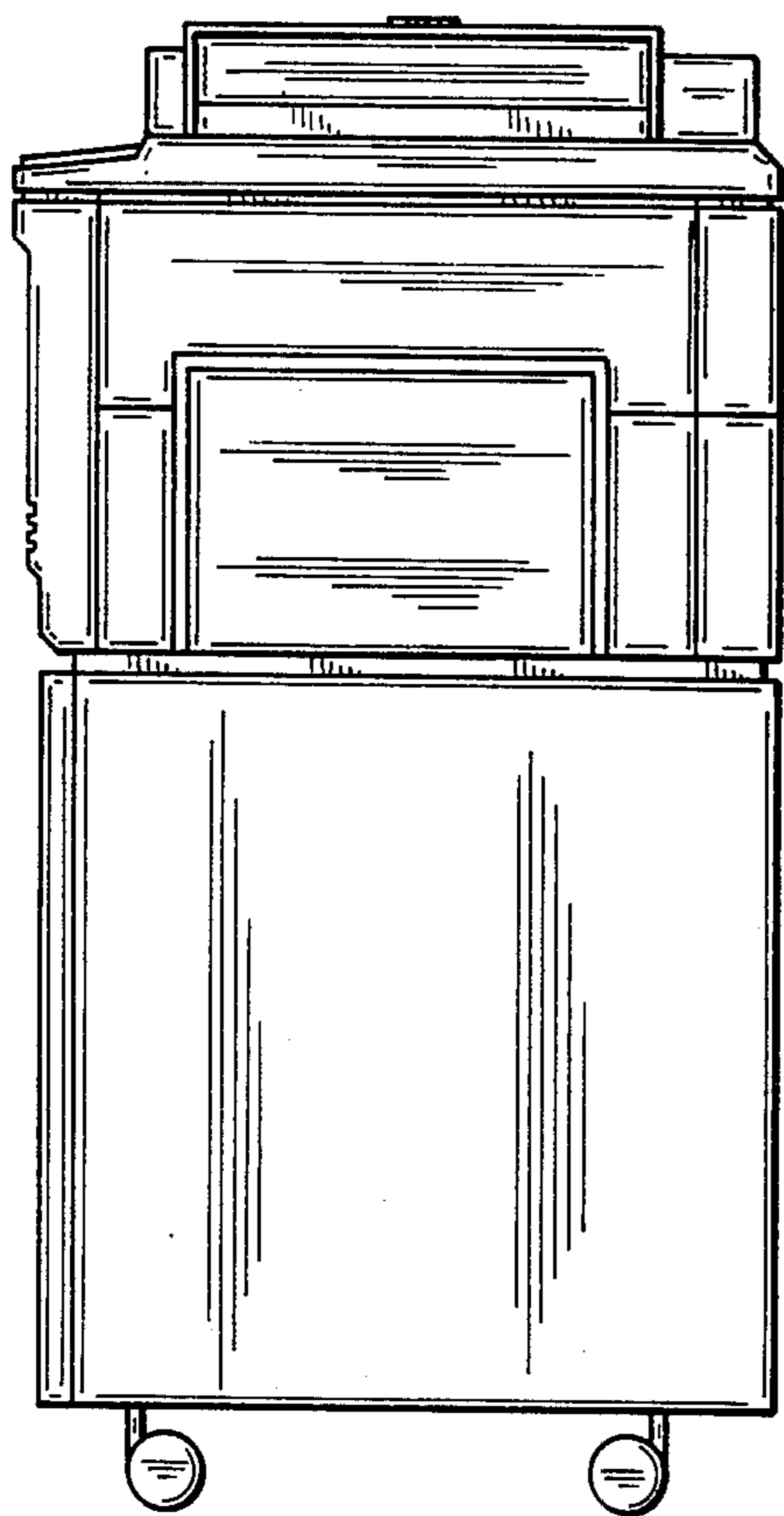
FIG\_6



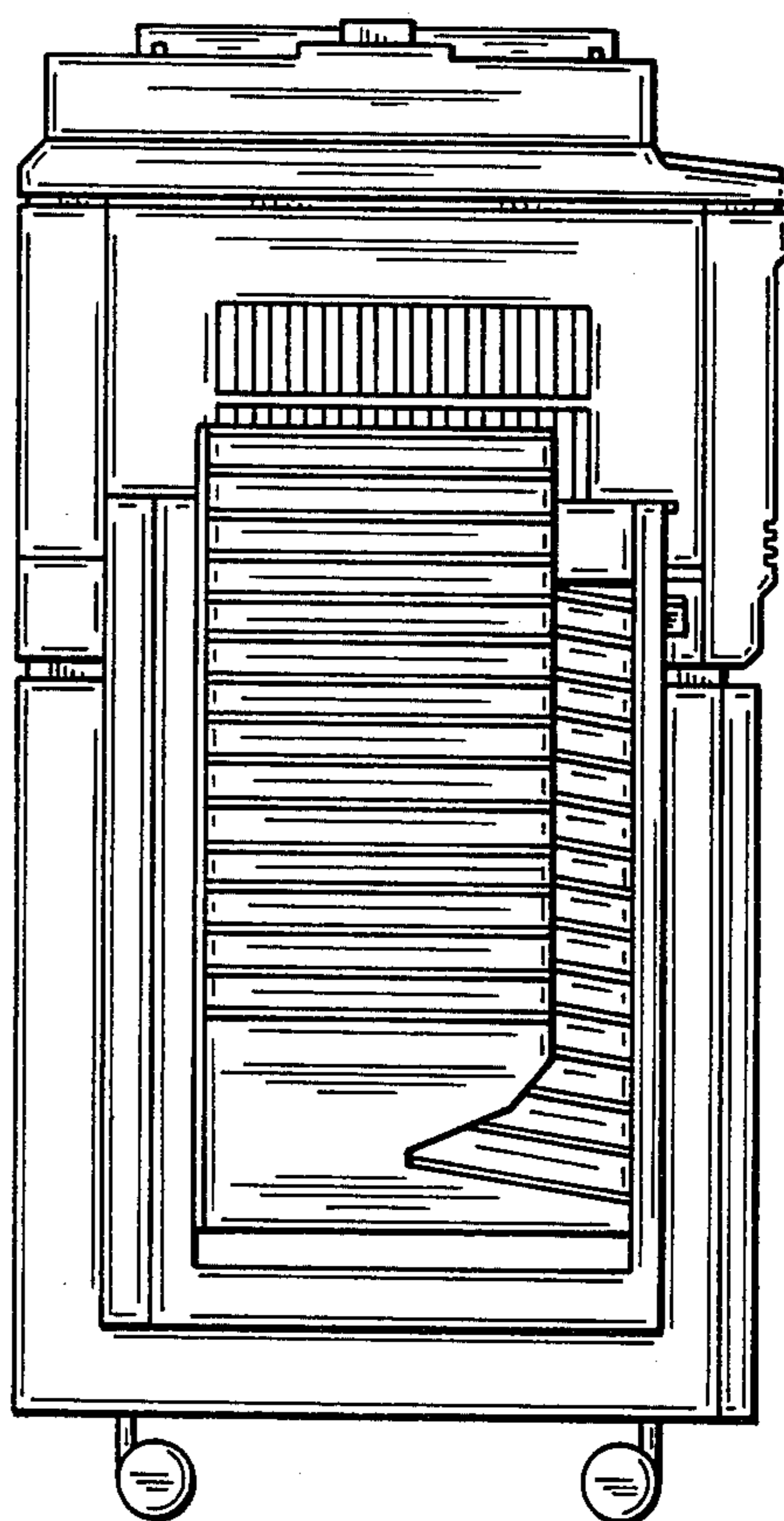
FIG\_3



FIG\_7



FIG\_4



FIG\_5