

[54] **COVER FOR A GEAR DRIVE OR SIMILAR ARTICLE**

[75] **Inventor: Douglas E. Randolph, Lubbock, Tex.**

[73] **Assignee: De'Ran, Inc., Lubbock, Tex.**

[**] **Term: 14 Years**

[21] **Appl. No.: 709,936**

[22] **Filed: Mar. 8, 1985**

[52] **U.S. Cl. D15/148**

[58] **Field of Search D15/148; D8/310, 312;
D9/453, 454; 474/606 R**

[56] **References Cited**

U.S. PATENT DOCUMENTS

D. 212,871 12/1968 Anderson D9/453
D. 284,266 6/1986 Resan D8/312
2,968,971 1/1961 Beadle et al. 74/606

3,417,636 12/1968 Randolph .
4,333,358 6/1982 Grattapaglia 74/606 R
4,470,324 9/1984 Renk et al. 74/606 R

OTHER PUBLICATIONS

Randolph Manufacturing Co., catalog No. PC-82 revised; cover (undated).

Primary Examiner—B. J. Bullock

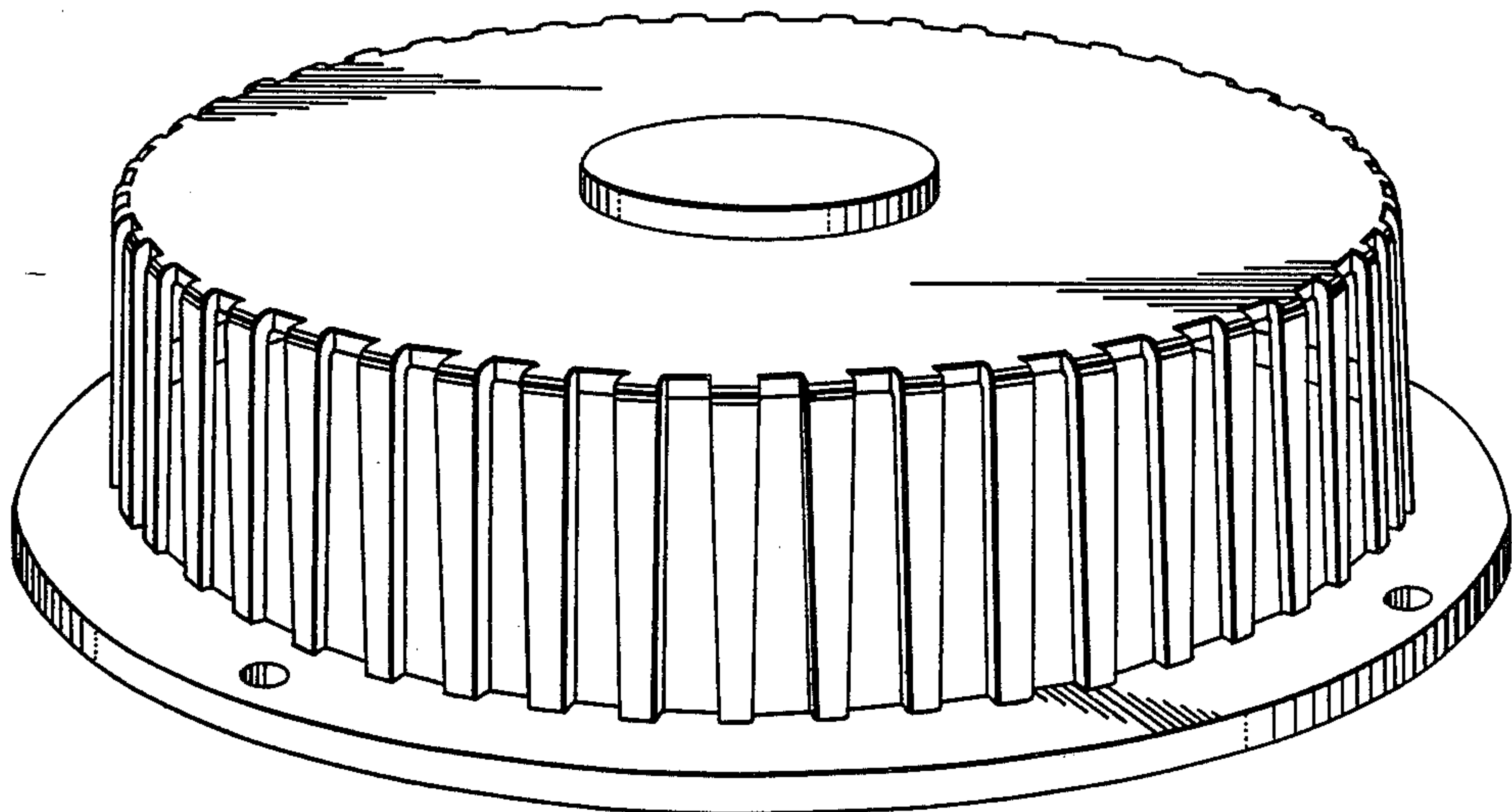
Attorney, Agent, or Firm—Litman, McMahon & Brown

[57] **CLAIM**

The ornamental design for a cover for a gear drive or similar article, as shown and described.

DESCRIPTION

FIG. 1 is a perspective view of a cover for a gear drive or similar article showing my new design;
FIG. 2 is a reduced top plan view thereof;
FIG. 3 is a reduced bottom plan thereof.



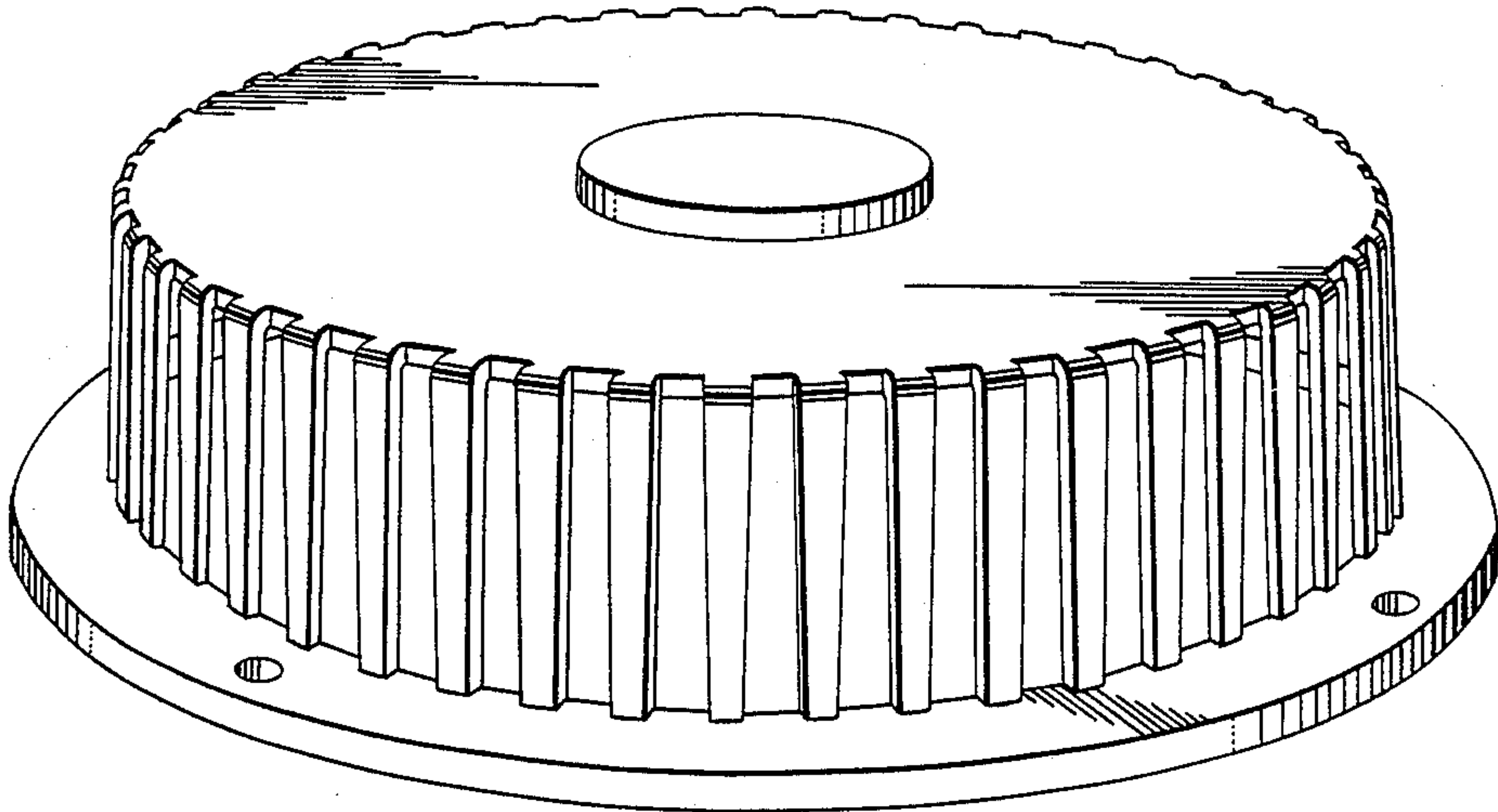


Fig. 1.

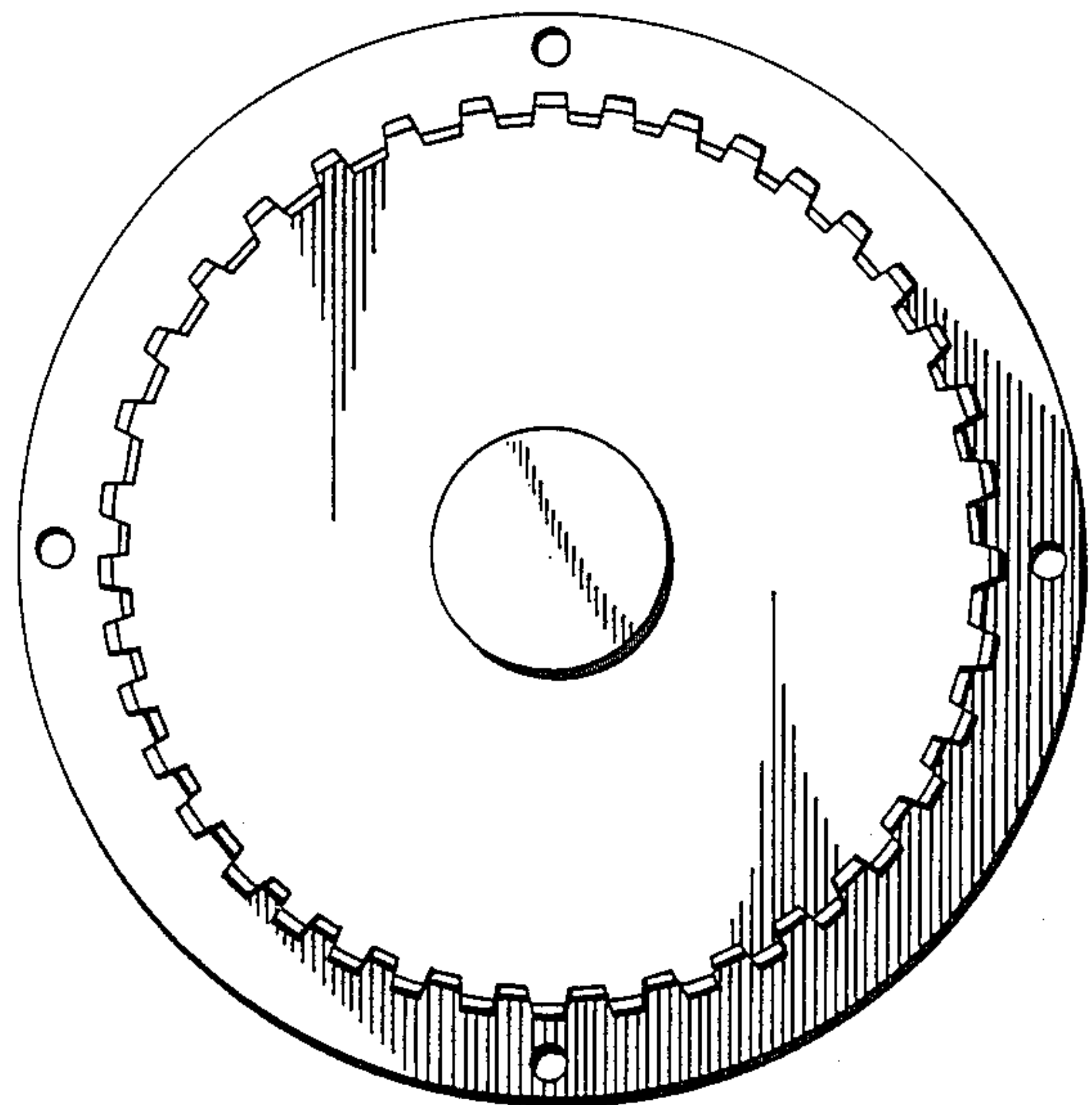


Fig. 2.

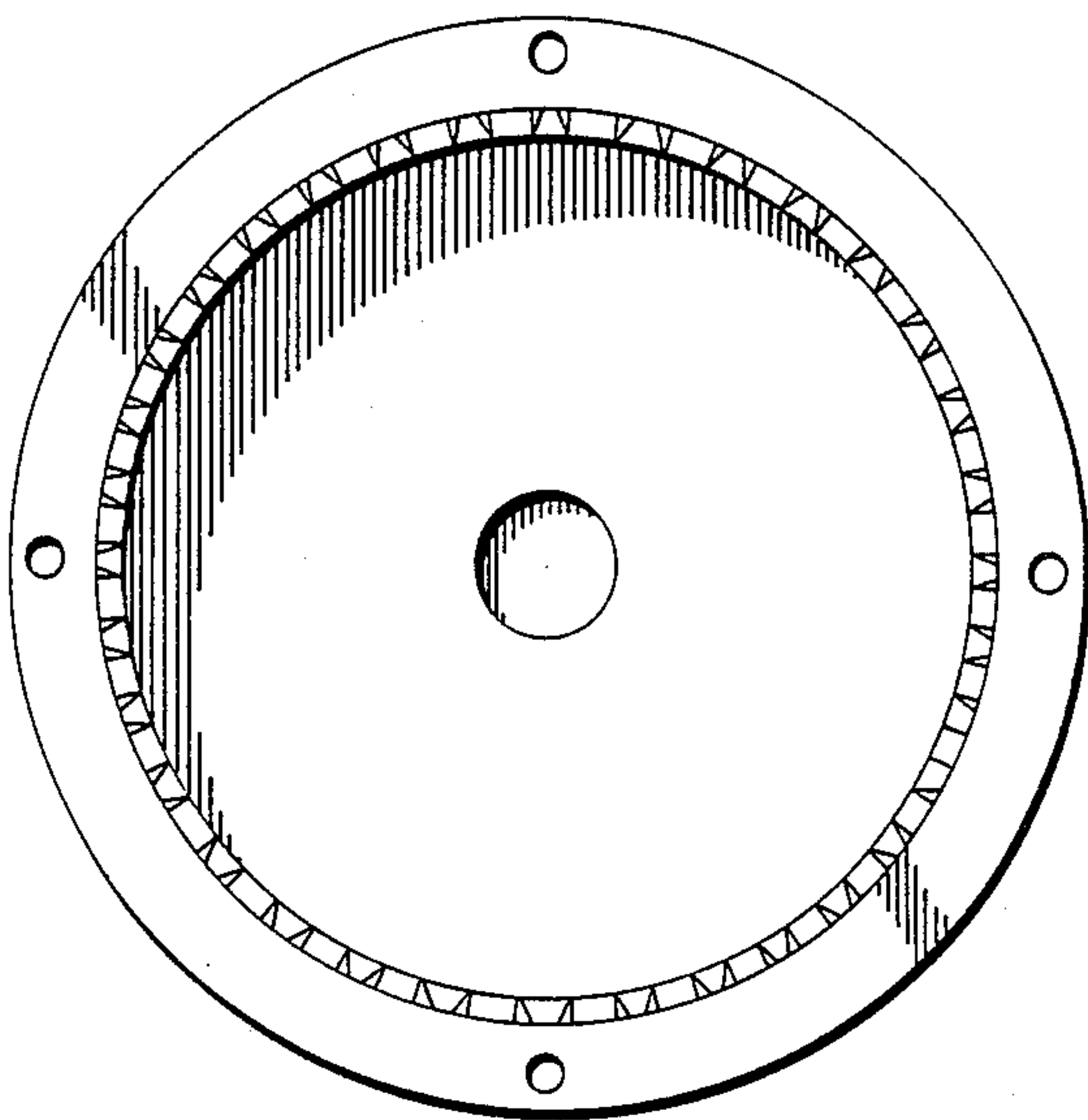


Fig. 3.