

[54] **DISK DRIVE PERIPHERAL OR SIMILAR ARTICLE**

[75] **Inventors: Robin Chu, San Francisco; John W. Toor, Palo Alto, both of Calif.**

[73] **Assignee: Xerox Corporation, Stamford, Conn.**

[**] **Term: 14 Years**

[21] **Appl. No.: 791,840**

[22] **Filed: Oct. 28, 1985**

[52] **U.S. Cl. D14/109; D14/107**

[58] **Field of Search D14/100, 102, 107, 108, D14/109; D13/40, 41; 361/331, 380, 381, 390, 392; 360/97, 98, 99; 364/708**

[56] **References Cited**

U.S. PATENT DOCUMENTS

- D. 214,909 8/1969 Brefka D13/40
- D. 276,234 11/1984 Banks et al. D14/107
- D. 281,245 11/1985 Lewis D14/100

D. 289,875 5/1987 Satherley D14/100 X

Primary Examiner—Susan J. Lucas

Attorney, Agent, or Firm—W. Douglas Carothers, Jr.

[57] **CLAIM**

The ornamental design for the disk drive peripheral or similar article, as shown and described.

DESCRIPTION

FIG. 1 is a top, front perspective view of a disk drive peripheral or similar article showing our new design;

FIG. 2 is a top, rear perspective view thereof;

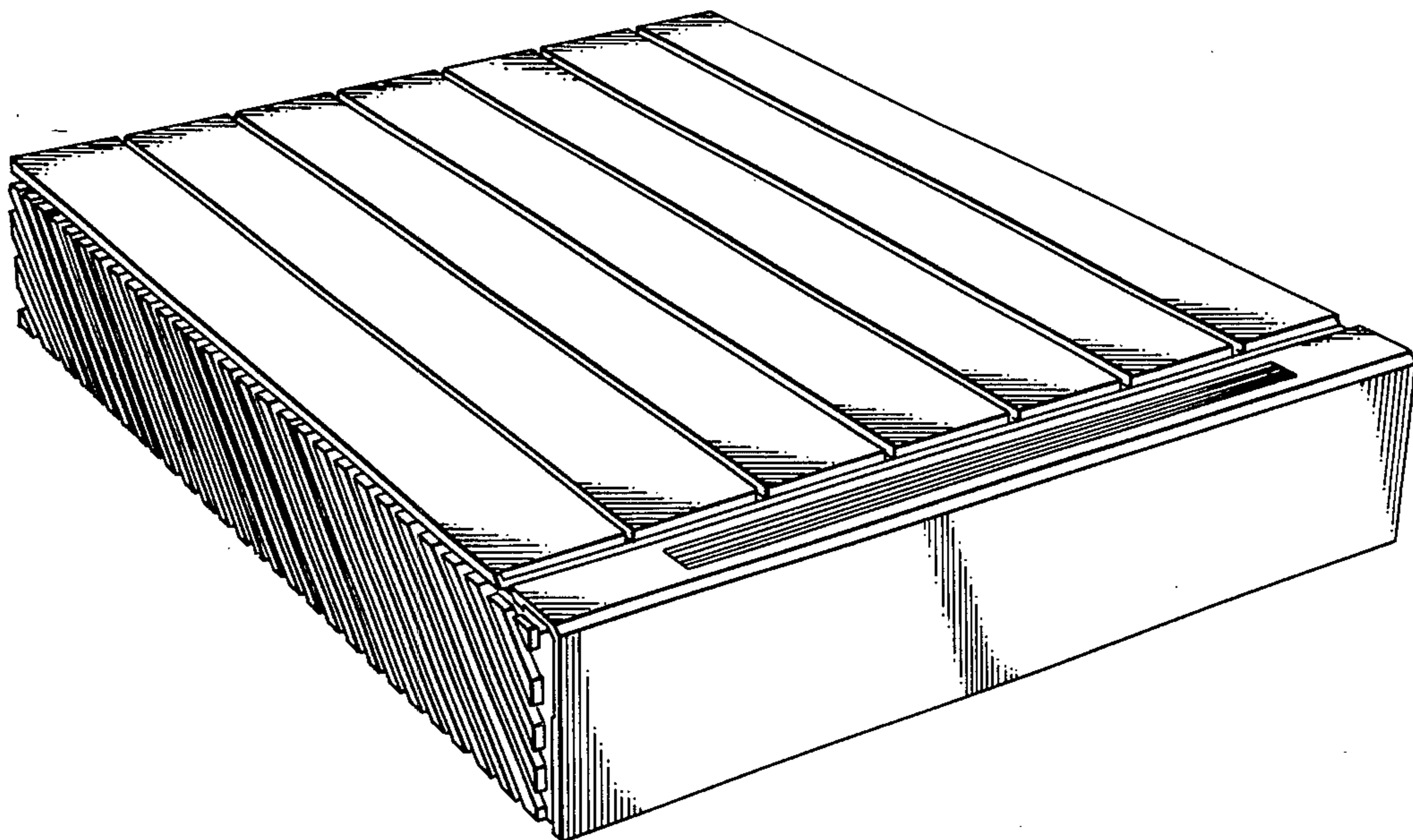
FIG. 3 is a front elevational view thereof on a reduced scale;

FIG. 4 is a right side elevational view thereof on a reduced scale;

FIG. 5 is a rear elevational view thereof on a reduced scale;

FIG. 6 is a left side elevational view thereof on a reduced scale;

FIG. 7 is a top plan view thereof on a reduced scale.



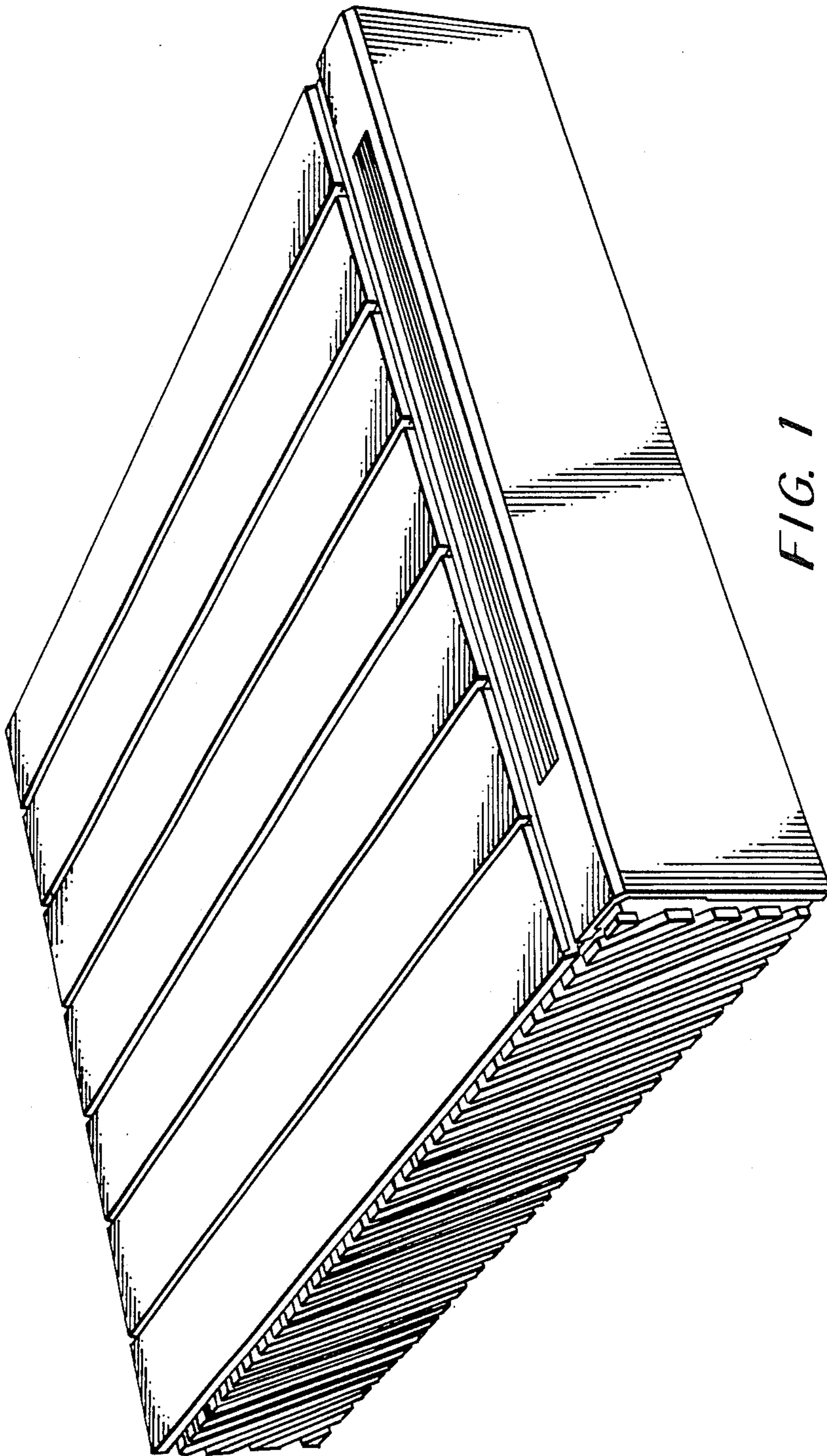


FIG. 1

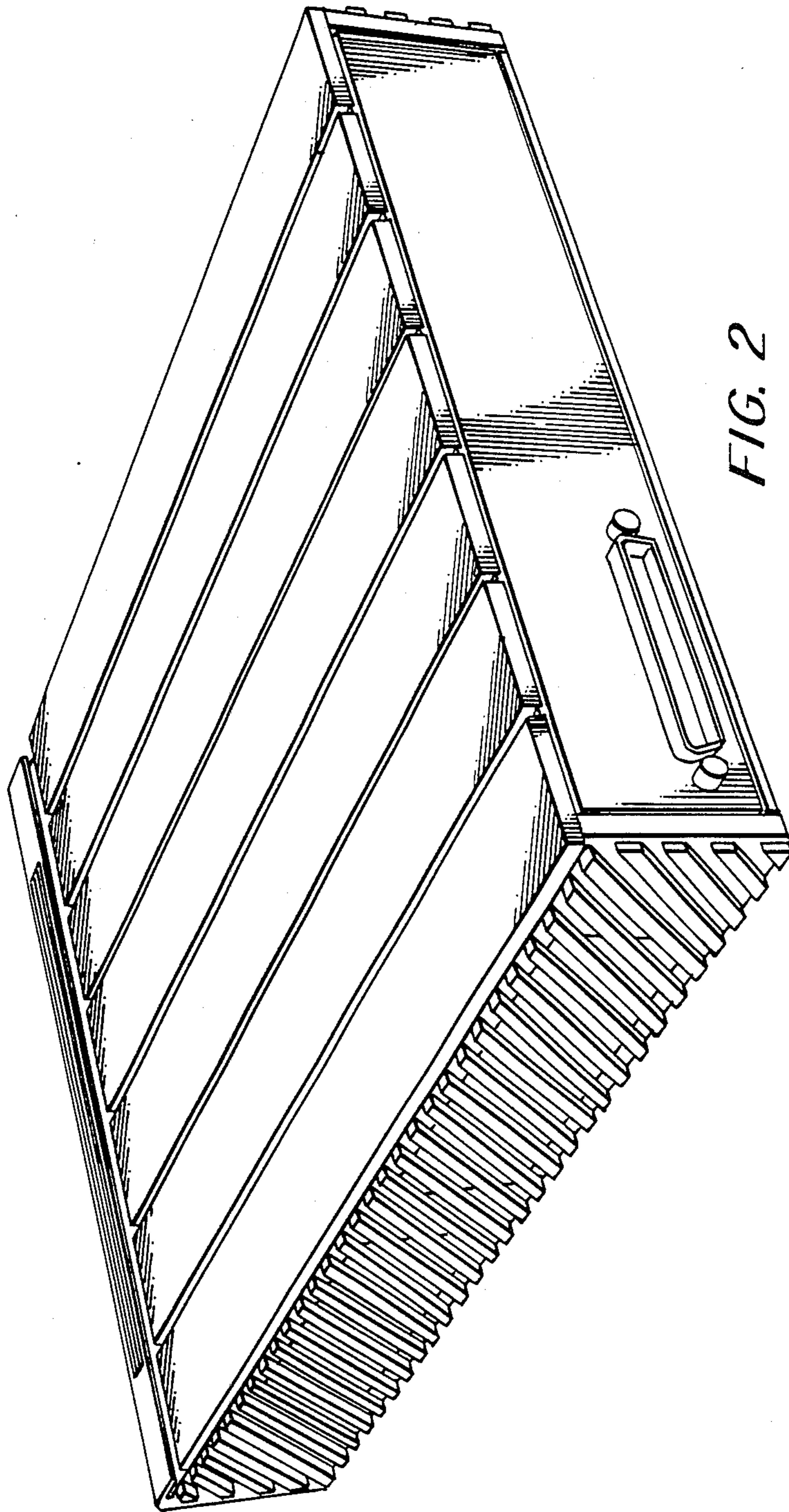


FIG. 2

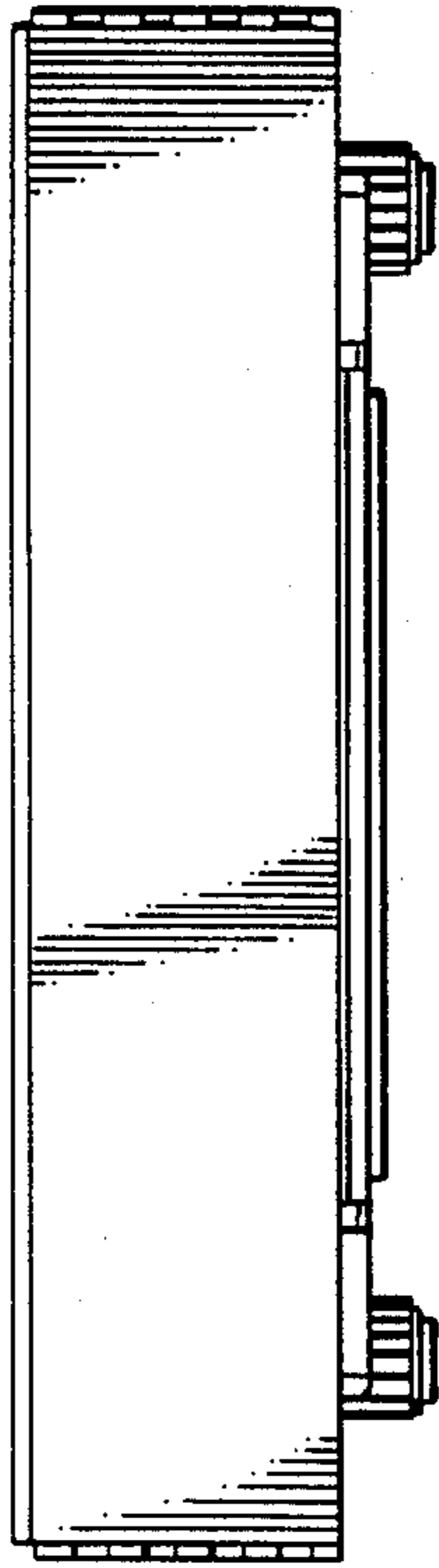


FIG. 3

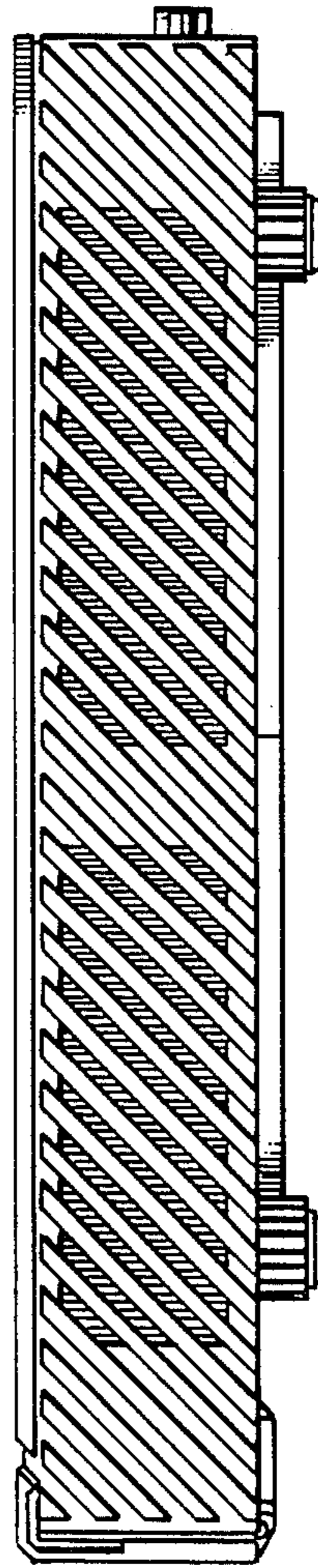


FIG. 4

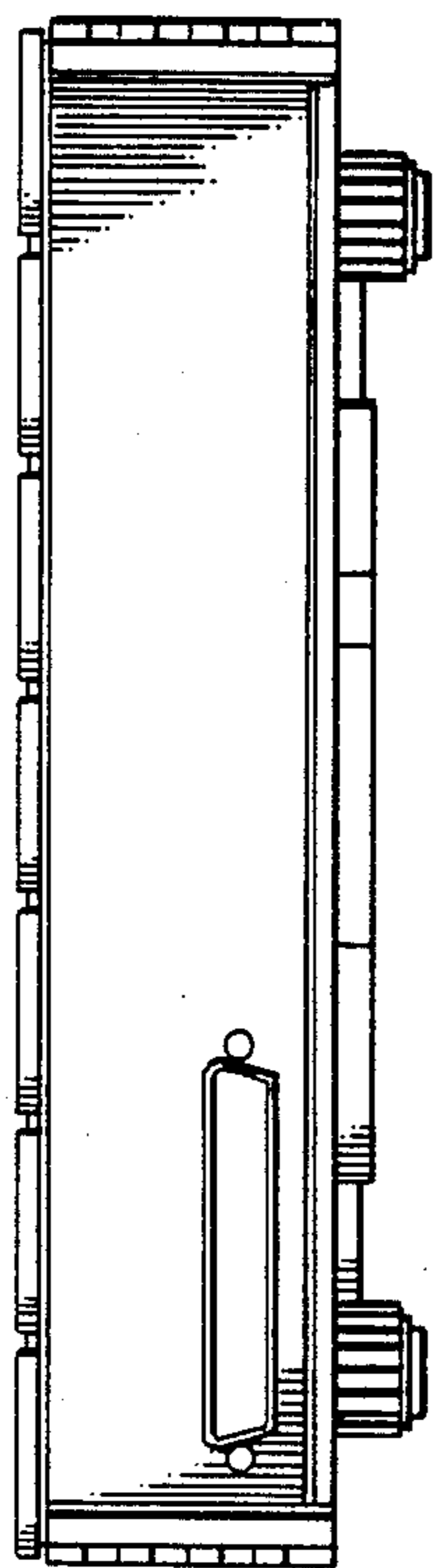


FIG. 5

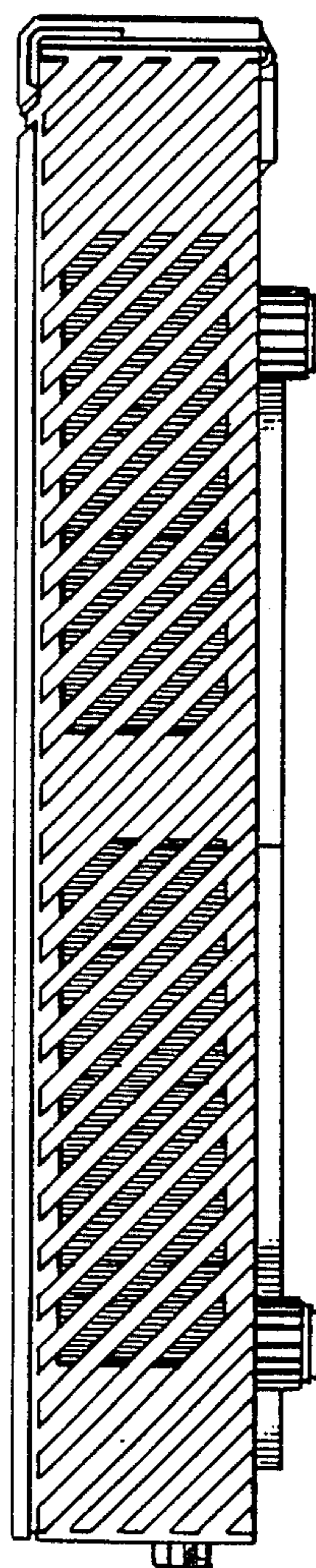


FIG. 6



FIG. 7