

[54] **COMPUTER EXPANSION BOX HOUSING**

[75] **Inventors: Christian C. Landry; Robert T. Faranda, both of Acton, Mass.**

[73] **Assignee: Digital Equipment Corporation, Maynard, Mass.**

[\*\*] **Term: 14 Years**

[21] **Appl. No.: 792,707**

[22] **Filed: Oct. 29, 1985**

[52] **U.S. Cl. .... D14/107**

[58] **Field of Search ..... D14/100, 107, 114;  
D13/40, 41; 174/52 R; 361/331, 380, 390-395,  
399; 364/708**

[56] **References Cited**

**U.S. PATENT DOCUMENTS**

4,530,066 7/1985 Ohwaki et al. .... 361/390 X  
4,672,510 6/1987 Castner ..... 361/394 X

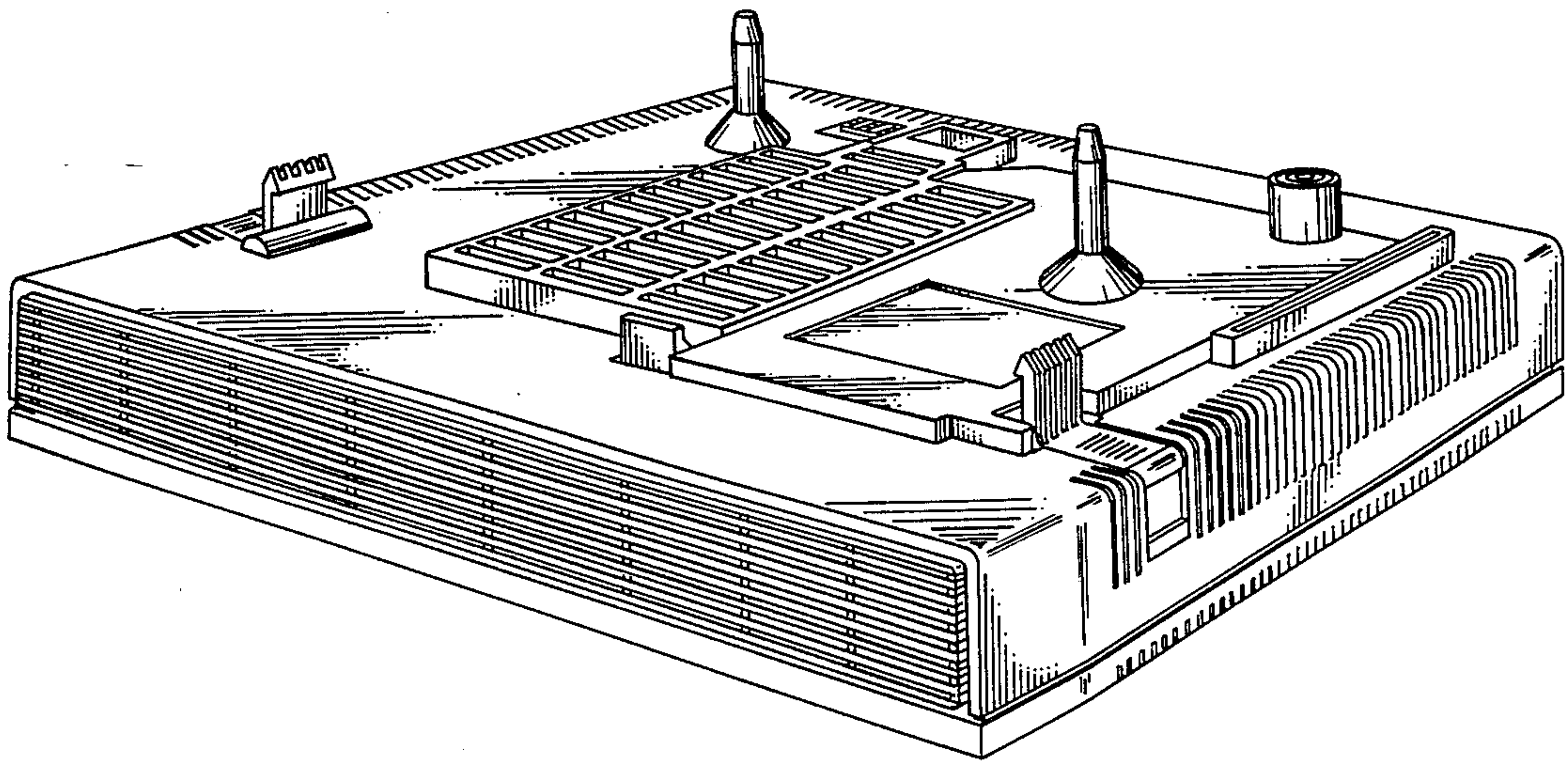
*Primary Examiner*—Susan J. Lucas

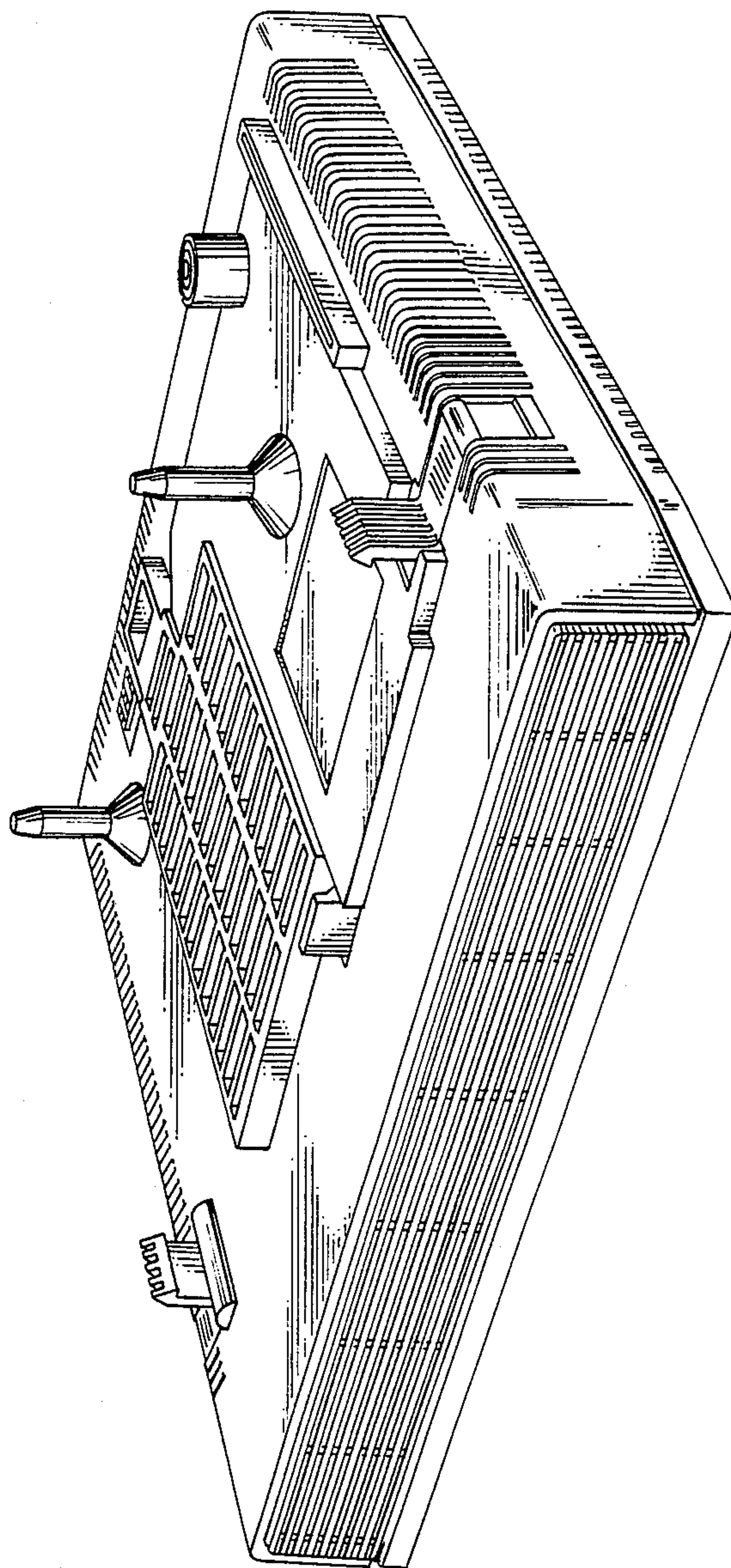
[57] **CLAIM**

The ornamental design for a computer expansion box housing, substantially as shown and described.

**DESCRIPTION**

FIG. 1 is a top, front perspective view of a computer expansion box housing embodying our new design; FIG. 2 is a front elevation view thereof; FIG. 3 is a top plan view thereof; FIG. 4 is a rear elevation view thereof; FIG. 5 is a bottom plan view thereof; FIG. 6 is a right side elevation view thereof; FIG. 7 is a left side elevation view thereof.





*Fig. 1.*

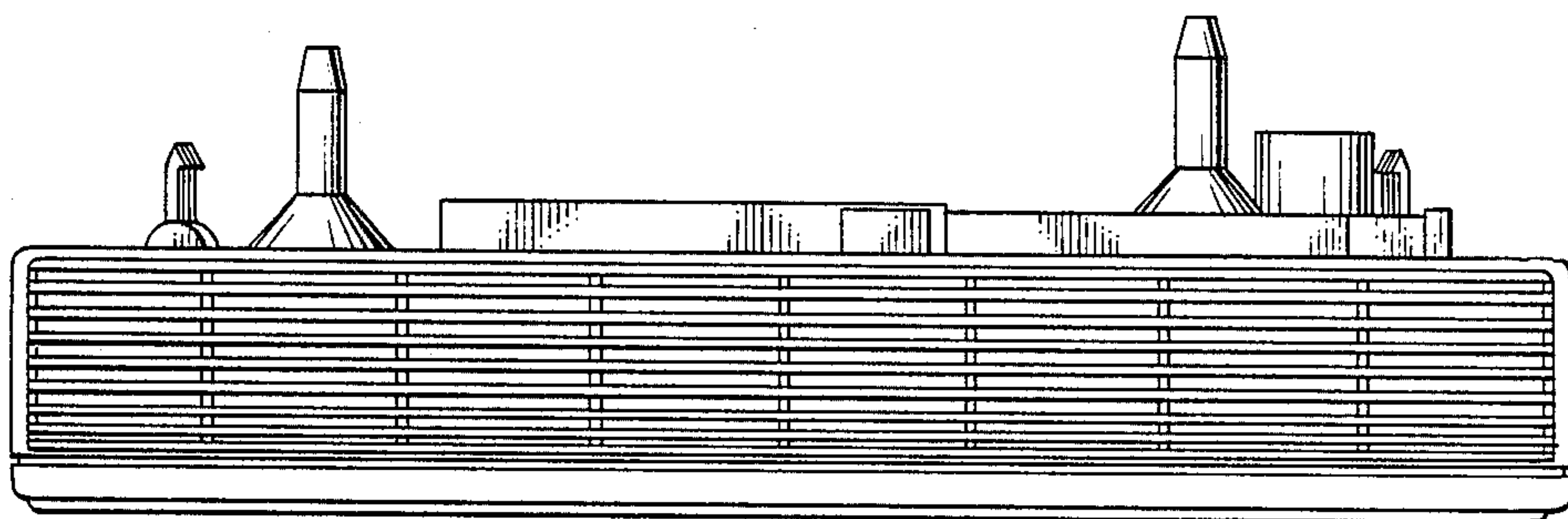


Fig. 2.

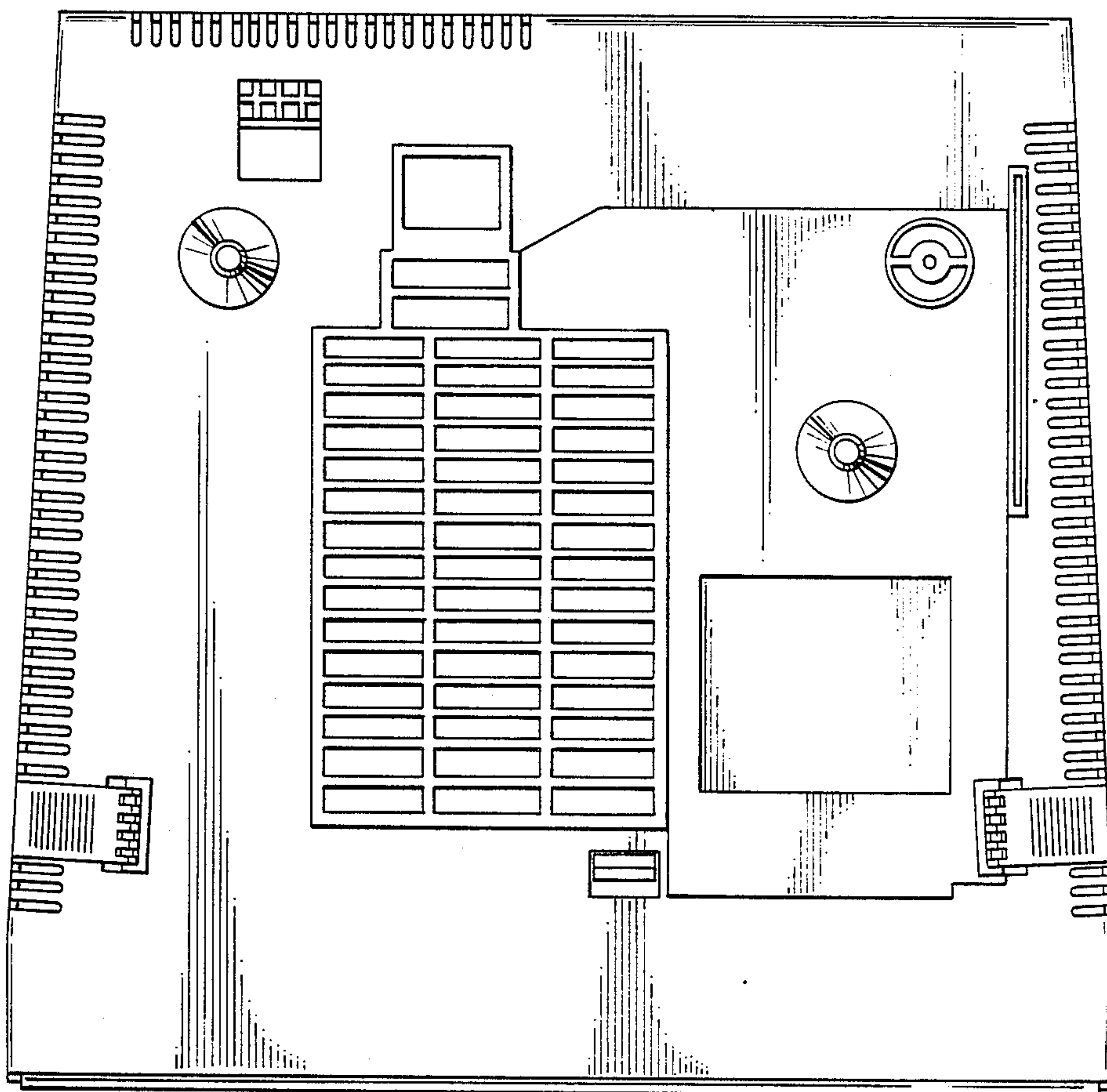


Fig. 3.



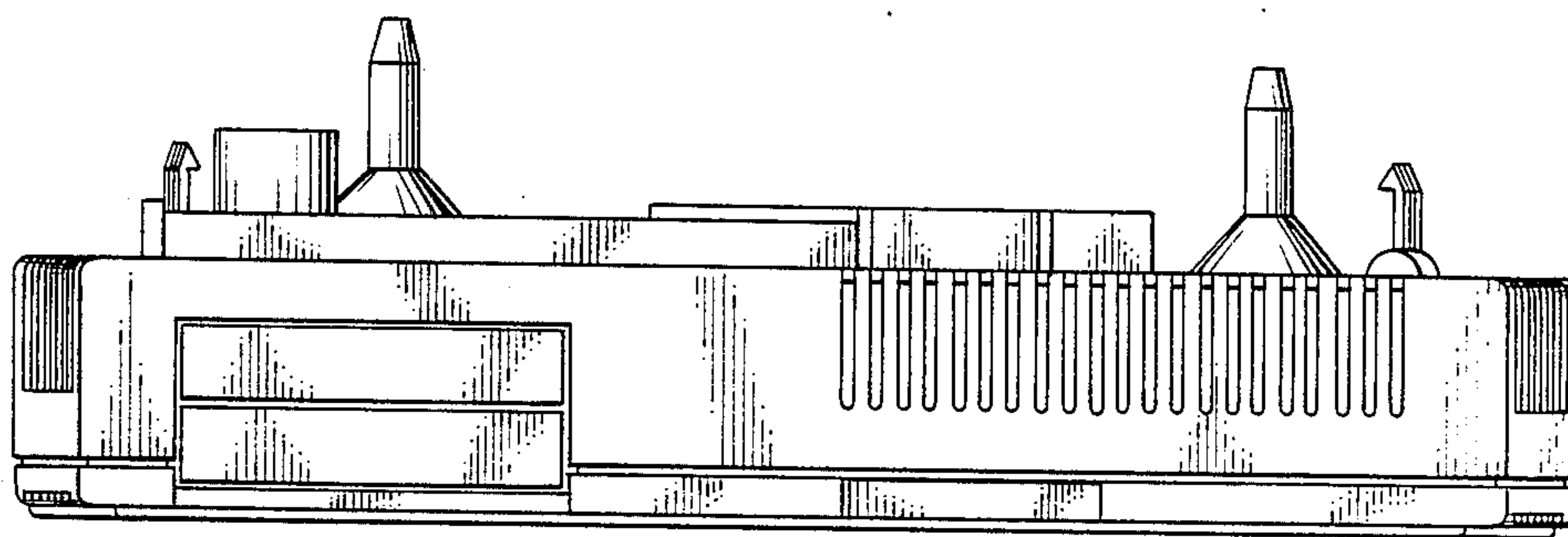


Fig. 4.

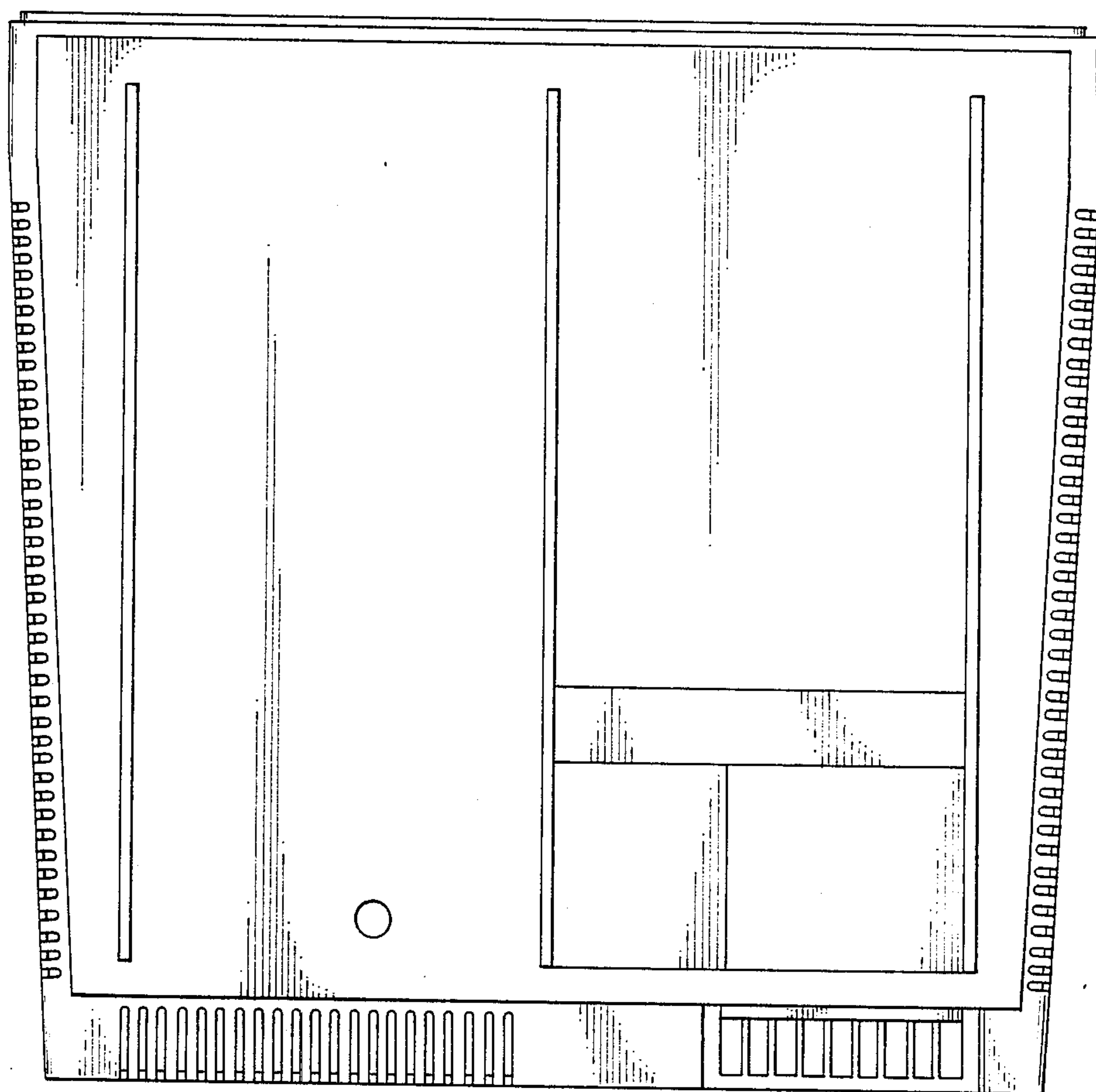


Fig. 5.

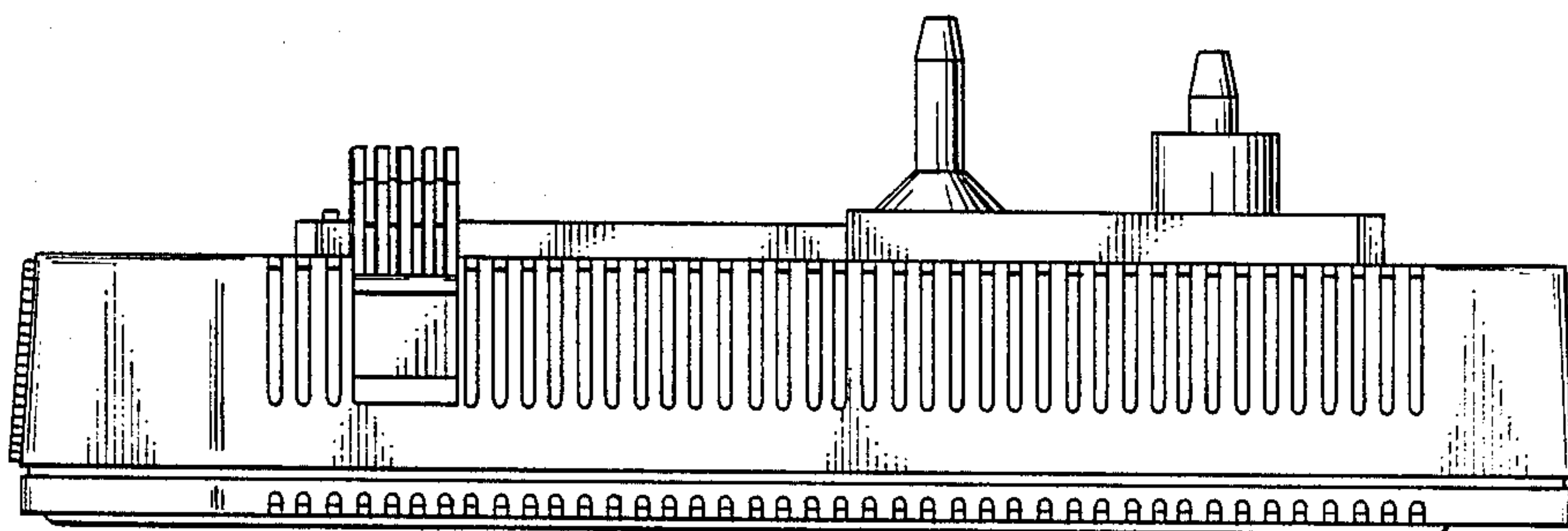


Fig. 6.

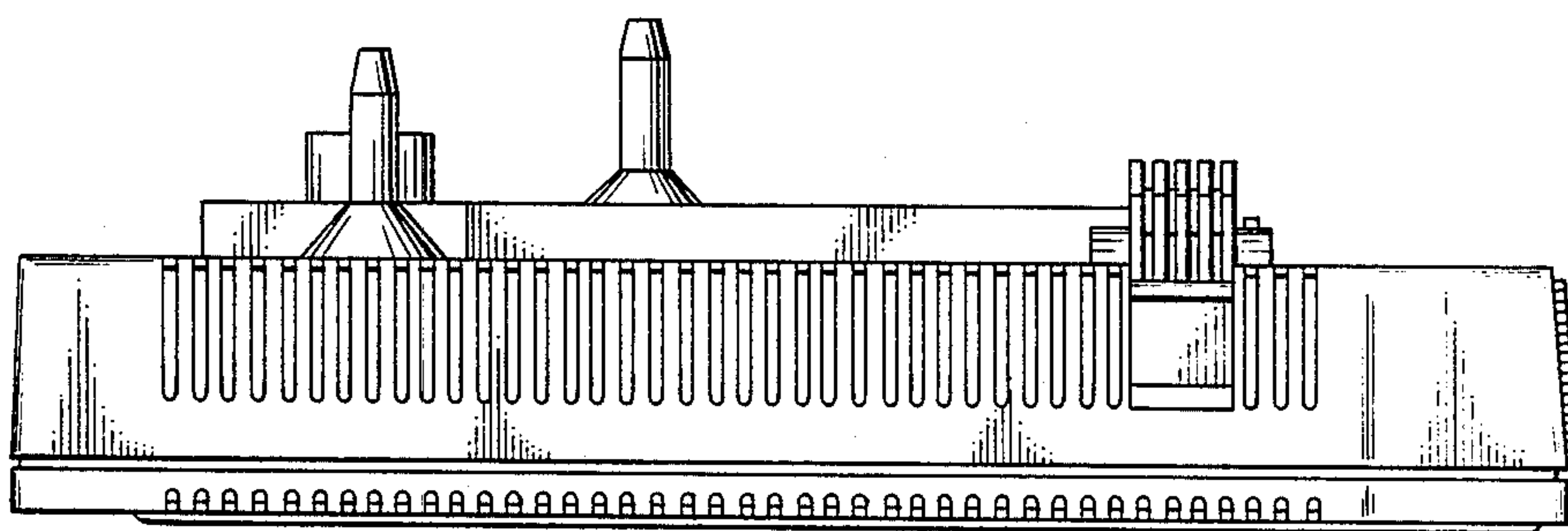


Fig. 7.