

[54] **TELEPHONE MACHINE WITH TV RECEIVER**

[75] Inventors: **Takeshi Taniuchi; Seiji Wada**, both of Kanagawa, Japan; **Michael A. Cooper-Hart**, Cupertino, Calif.

[73] Assignee: **Mitsubishi Denki Kabushiki Kaisha**, Tokyo, Japan

[\*] Notice: The portion of the term of this patent subsequent to Jul. 26, 2002 has been disclaimed.

[\*\*] Term: **14 Years**

[21] Appl. No.: **851,422**

[22] Filed: **Apr. 11, 1986**

[30] **Foreign Application Priority Data**

Oct. 14, 1985 [JP] Japan ..... 60-42980  
 [52] U.S. Cl. .... **D14/54; D14/63; D14/62; D14/77**

[58] Field of Search ..... **D14/53, 54, 63, 58, D14/60, 61, 106, 101, 105; 379/428, 419, 420, 422, 433, 436, 440, 53, 54, 96; 358/85**

[56] **References Cited**

**U.S. PATENT DOCUMENTS**

D. 267,945	2/1983	Sawaya	.....	D14/54
D. 275,196	8/1984	Hirang	.....	D14/54
D. 275,857	10/1984	Moraine	.....	D14/101
D. 275,954	10/1984	Gibson	.....	D14/106 X
D. 279,563	2/1985	Menei et al.	.....	D14/106 X
D. 282,929	3/1986	Bangham	.....	D14/106 X
D. 284,193	6/1986	Marshall	.....	D14/106 X
D. 289,762	5/1987	Alterio et al.	.....	D14/54 X
4,533,791	8/1985	Read et al.	.....	D14/54 X
4,577,068	3/1986	Kelly et al.	.....	379/428

**FOREIGN PATENT DOCUMENTS**

3329493 9/1984 Fed. Rep. of Germany ..... 379/53

**OTHER PUBLICATIONS**

Commutation & Transmission (France), Dec. 1984: the "Videotex": at p. 68 Biarritz Upholstery the Videophone Set.

Telephony/Dec. 2, 1985, vol. 209, No. 23: *Workstation*, (R. S. Card No. 182) Video-Display Terminal, Insystec Inc.

Washington Times, 9/2/86, p. 9C; "Luma" Video Telephone Article: Picture.

The "Sharper Image", Aug. 1986.

*Primary Examiner*—Horace B. Fay

*Attorney, Agent, or Firm*—Bernard, Rothwell & Brown

[57] **CLAIM**

The ornamental design for a telephone machine with TV receiver, as shown and described.

**DESCRIPTION**

FIGS. 1 and 2 are respectively front and rear elevational views of a telephone machine with TV receiver showing our new design, and with the handset cradled in the stand;

FIGS. 3 and 4 are respectively left and right side elevational views thereof;

FIGS. 5 and 6 are respectively top and bottom plan views thereof;

FIG. 7 is a top and front perspective view thereof;

FIG. 8 is also a perspective view of the machine in use, with the handset inverted and spaced apart from the stand which is shown alone, and

FIG. 9 is also a perspective view, from a different vantage point, of the machine in use, with the handset inverted and spaced apart from the stand which is shown alone.

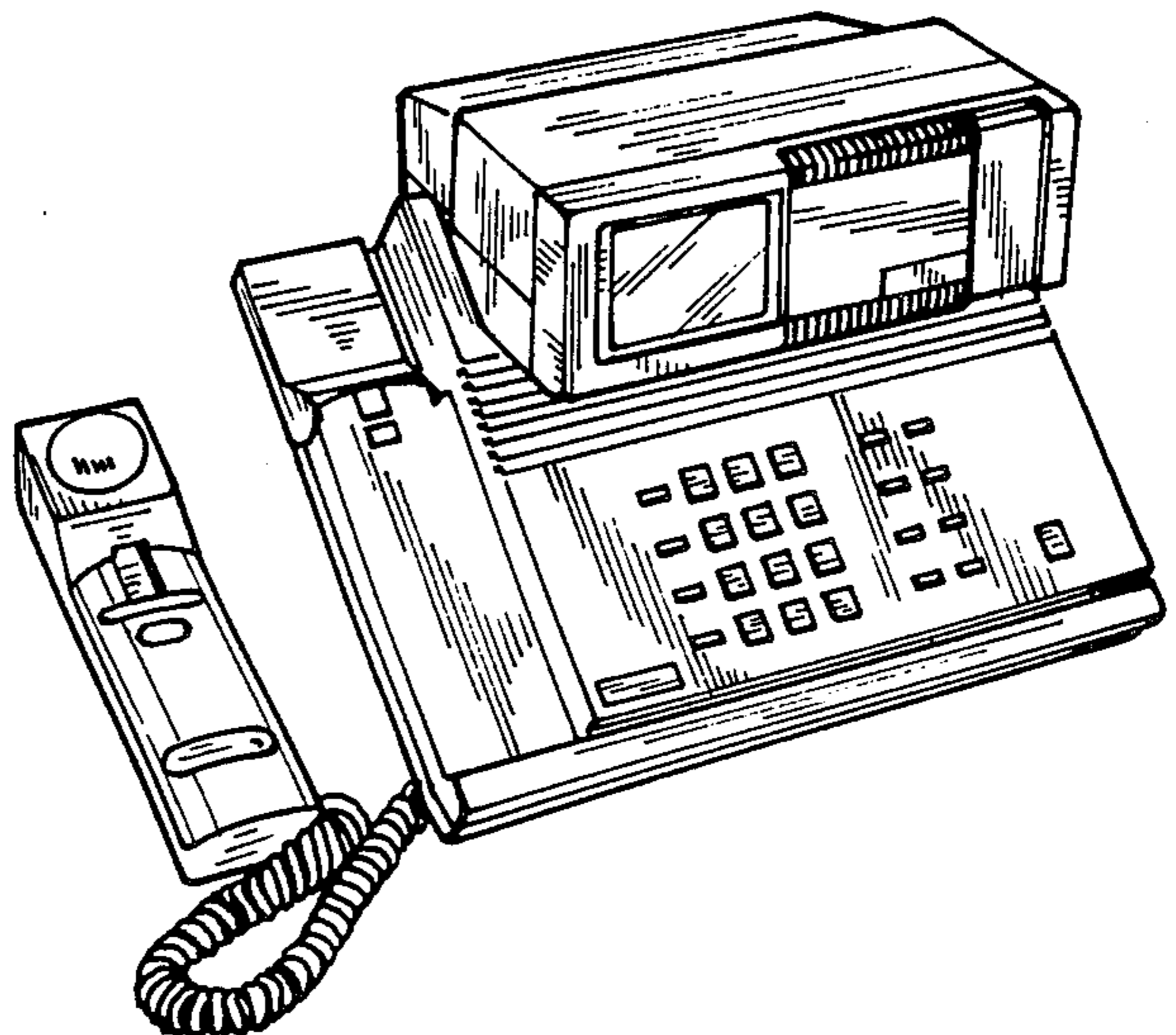
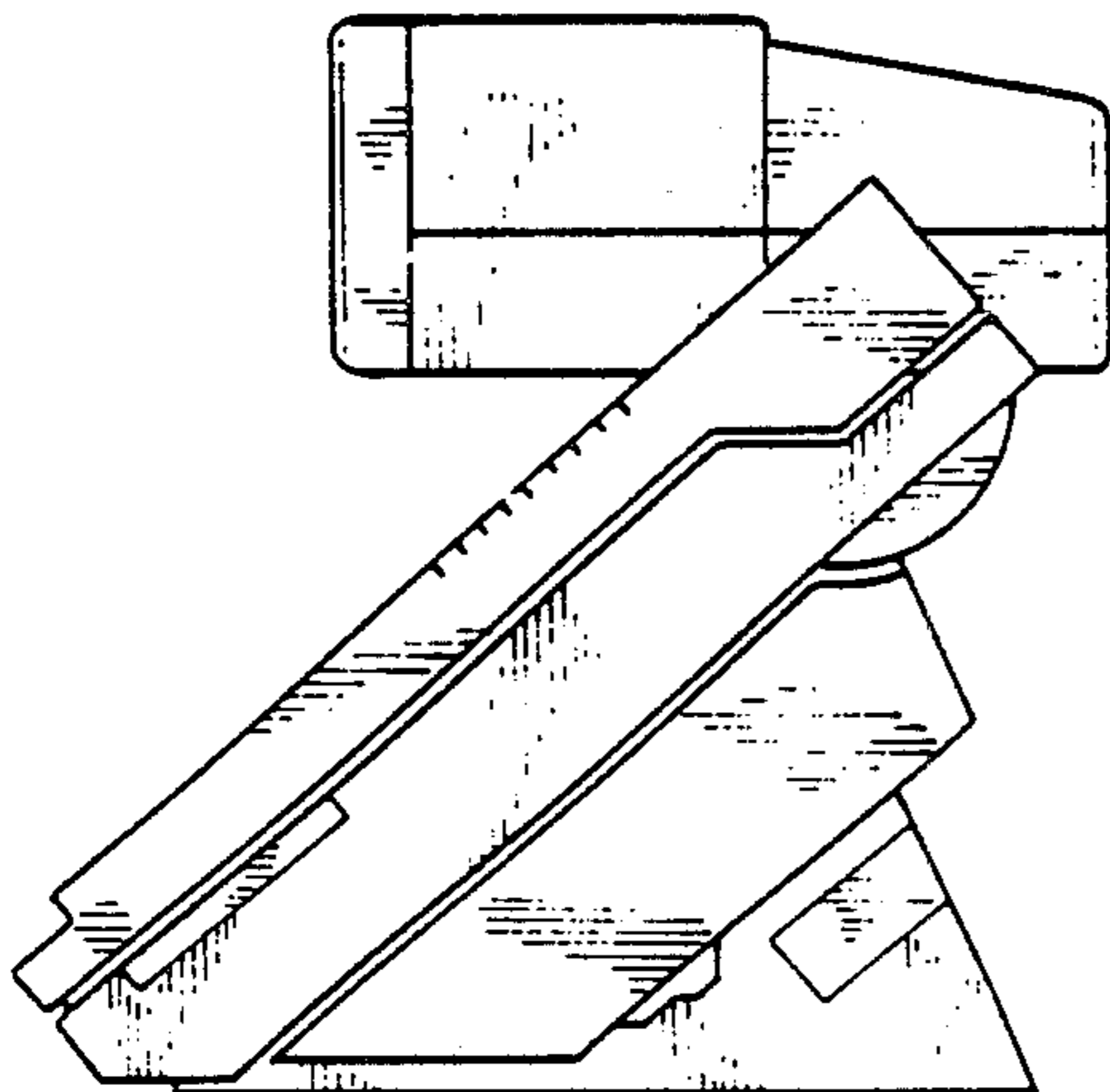


FIG. 1

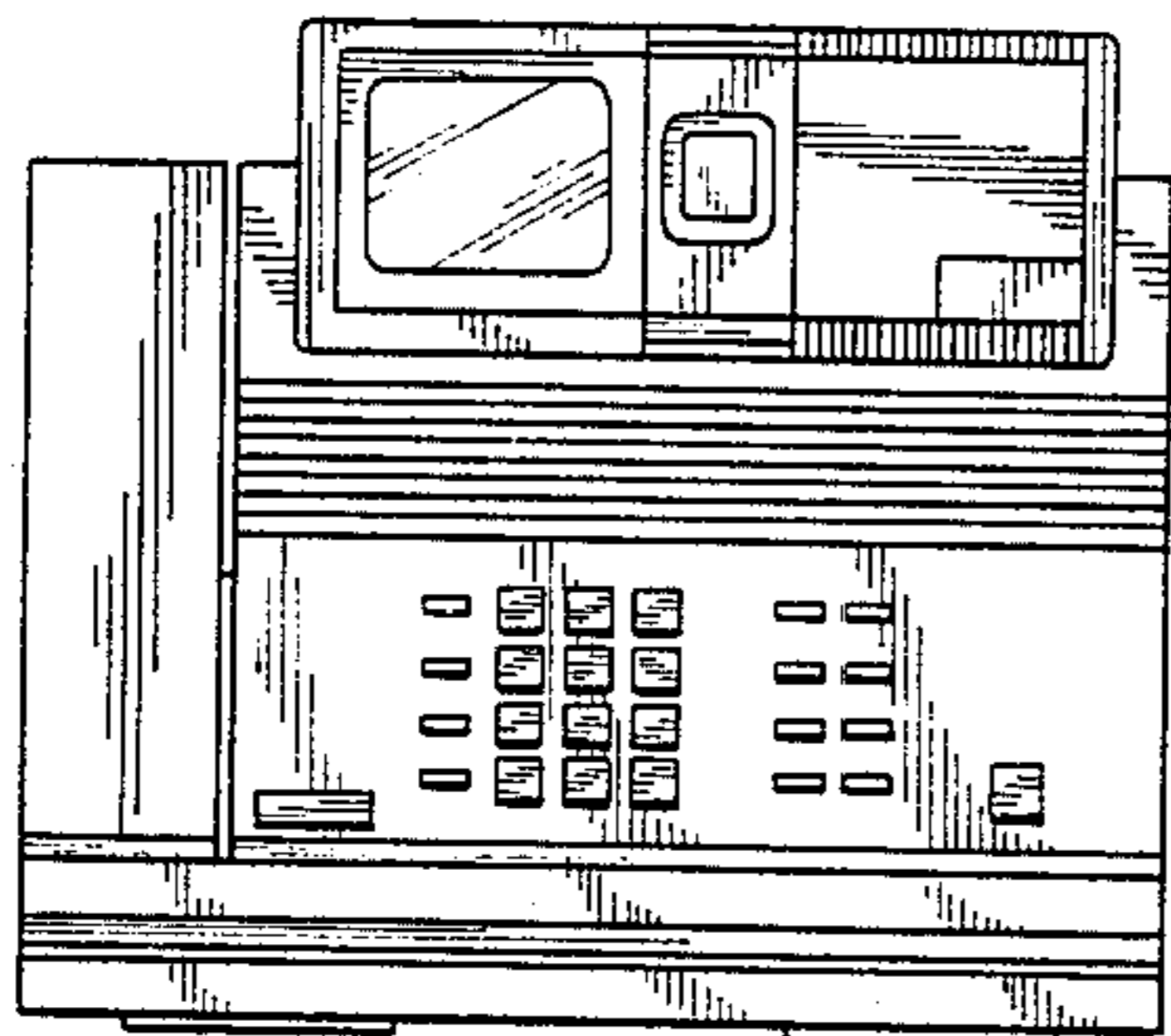


FIG. 2

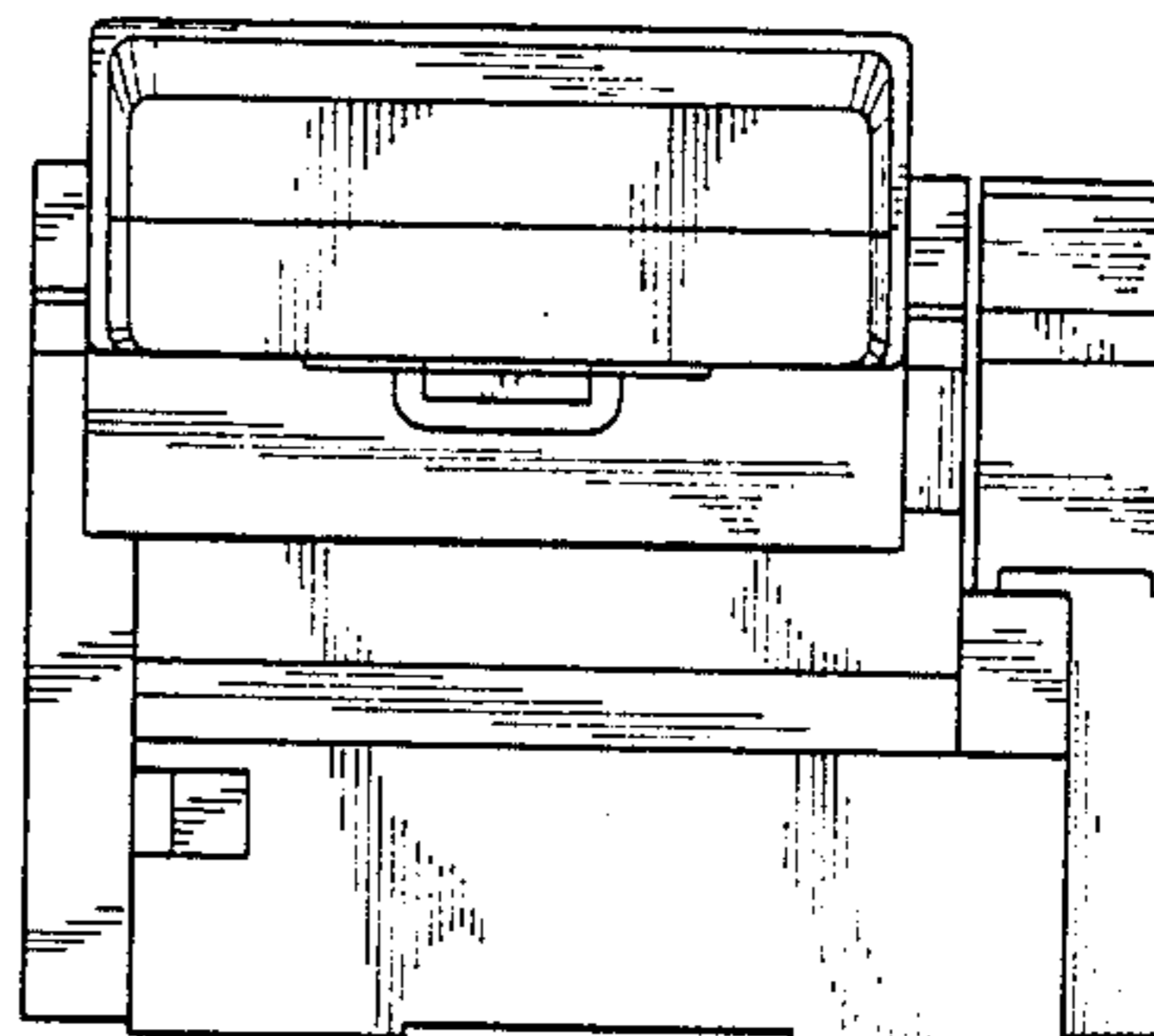


FIG. 3

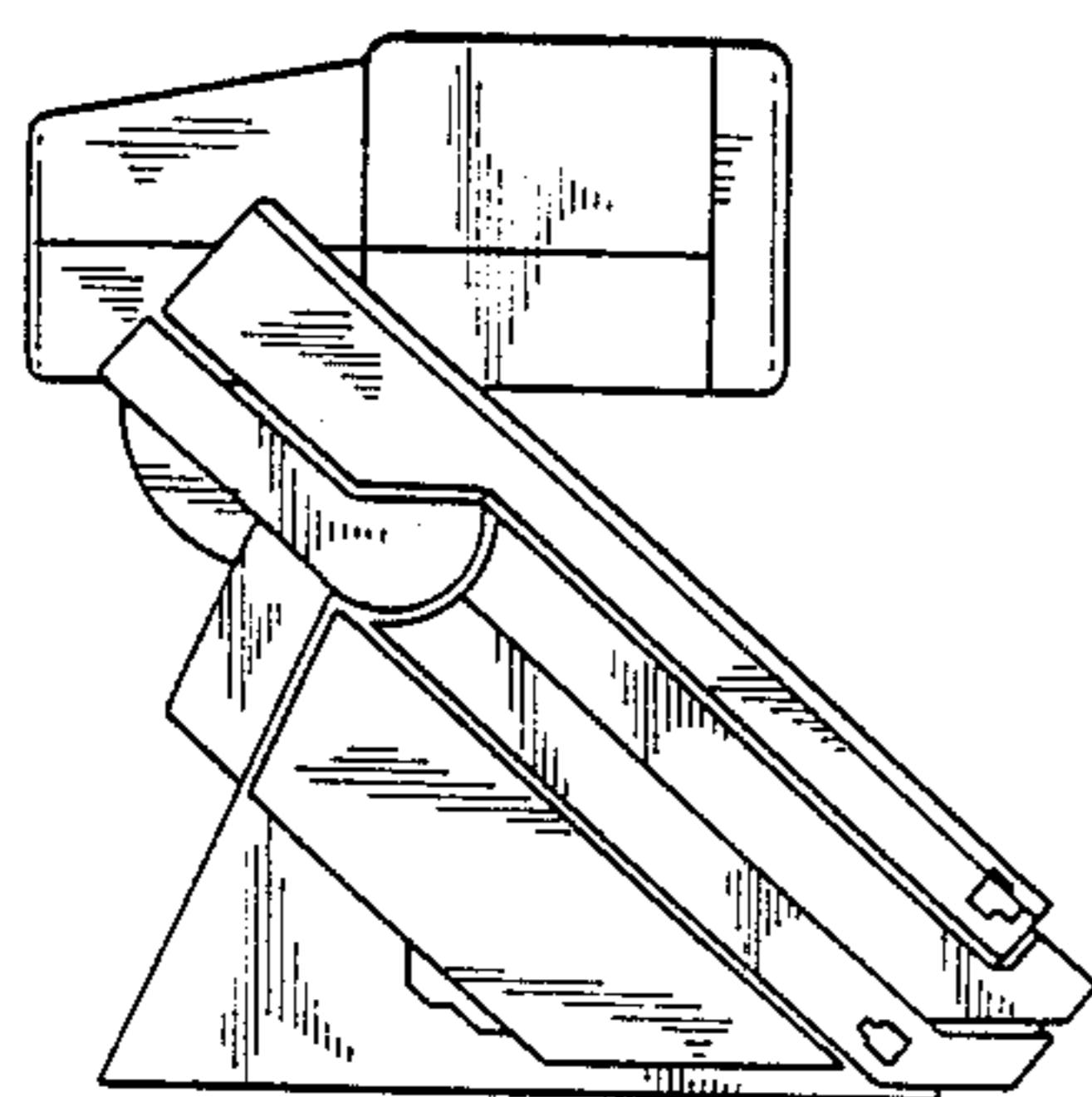


FIG. 4

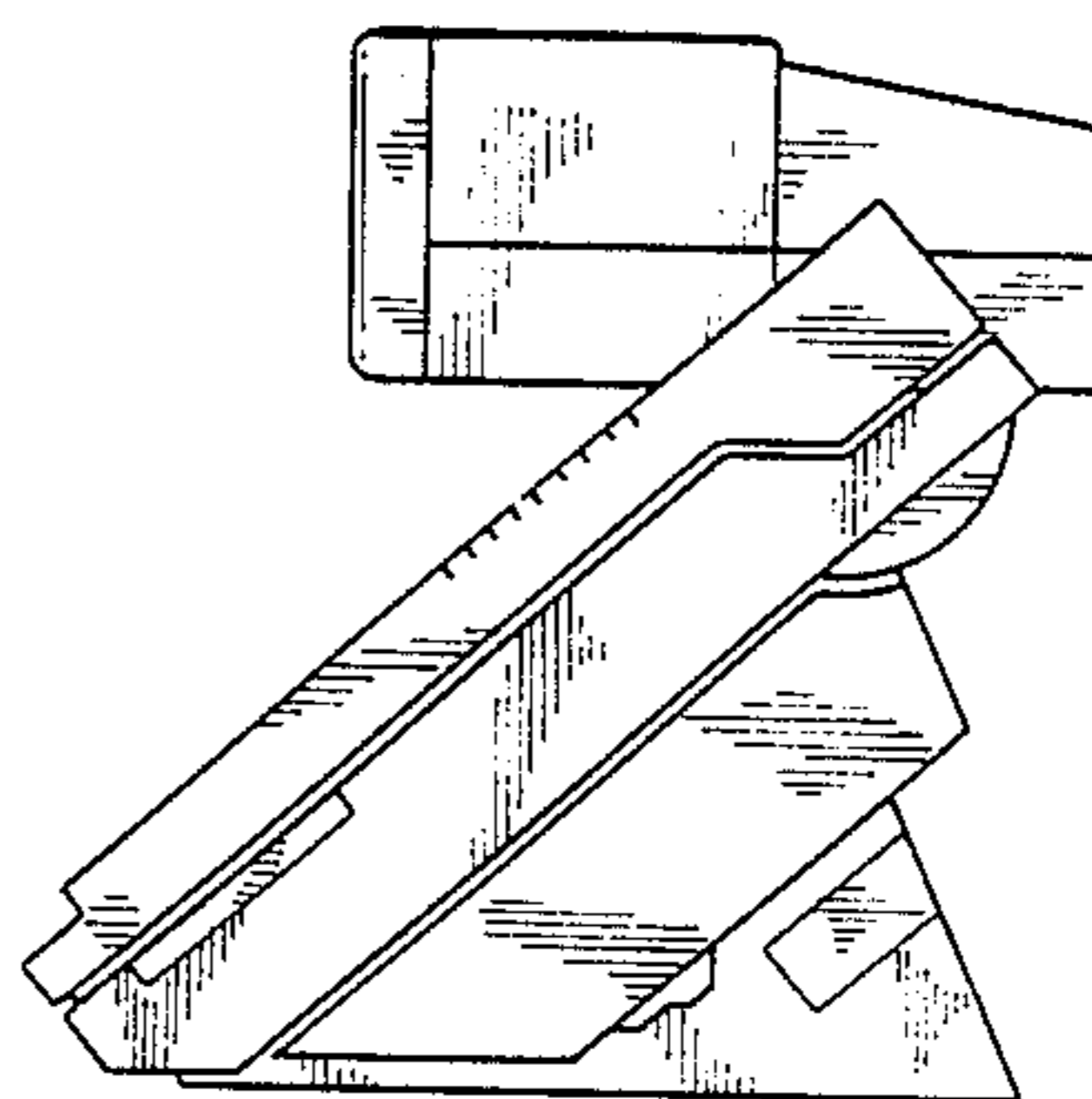


FIG. 5

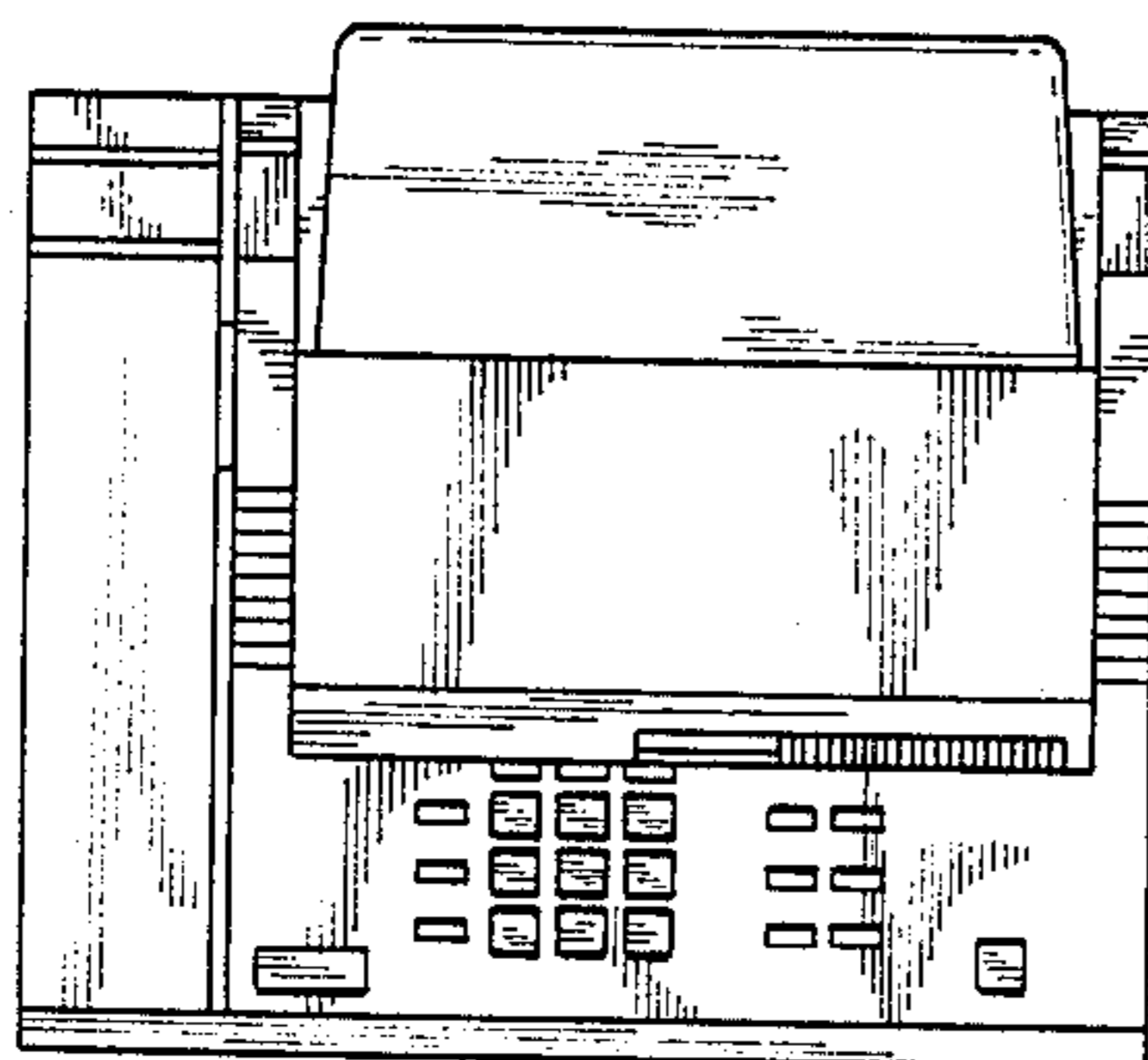


FIG. 6

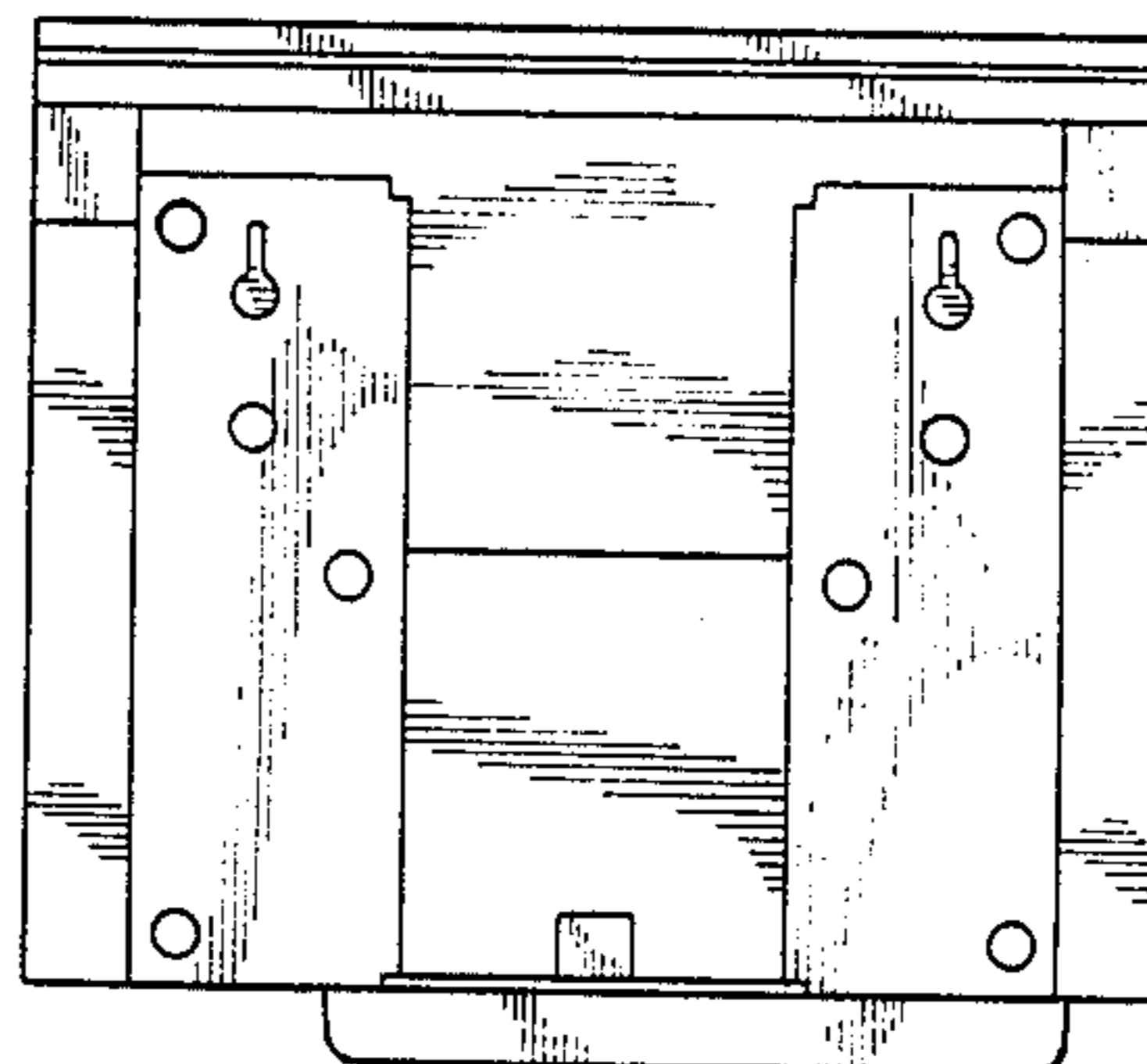


FIG. 7

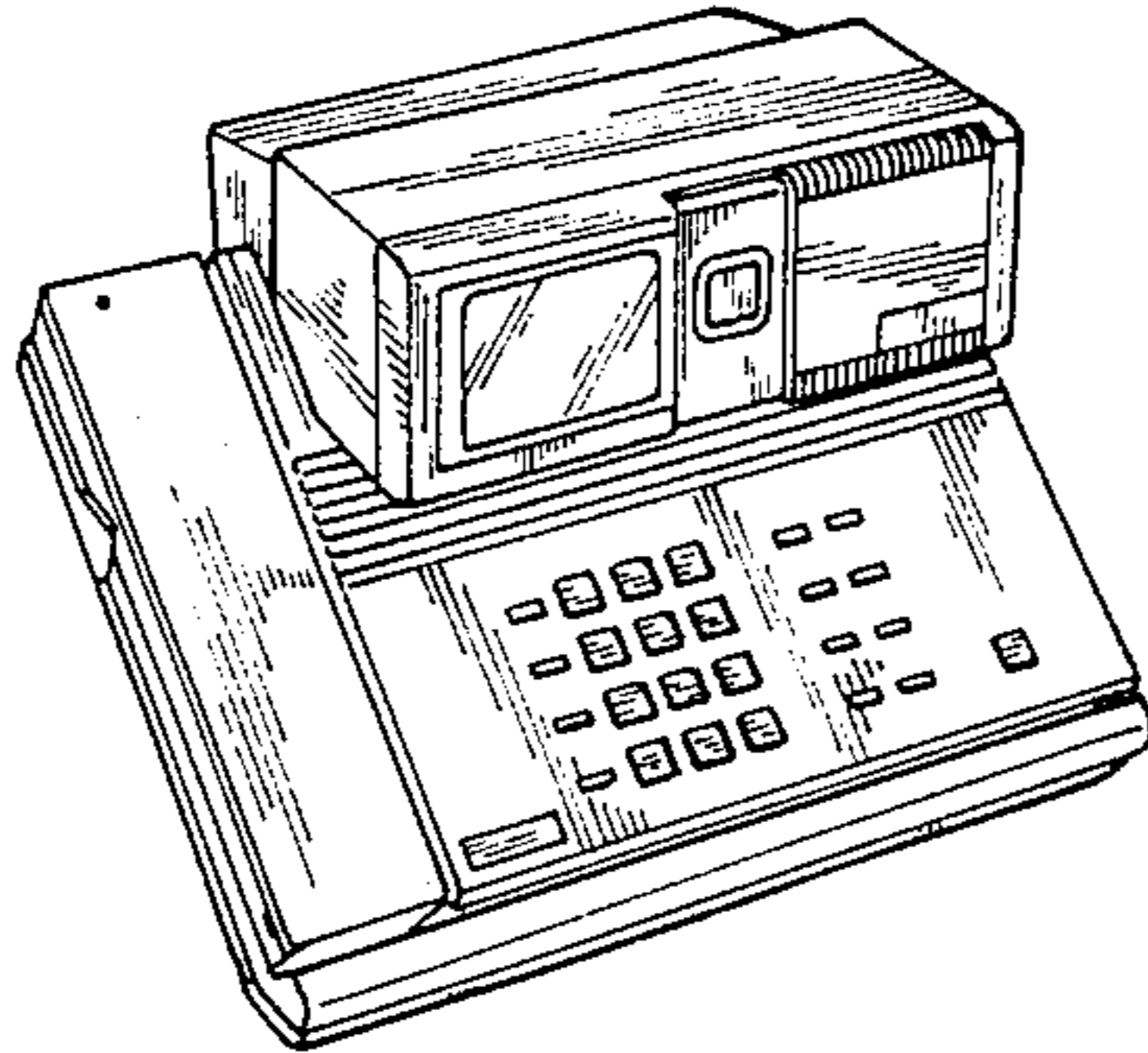


FIG. 8

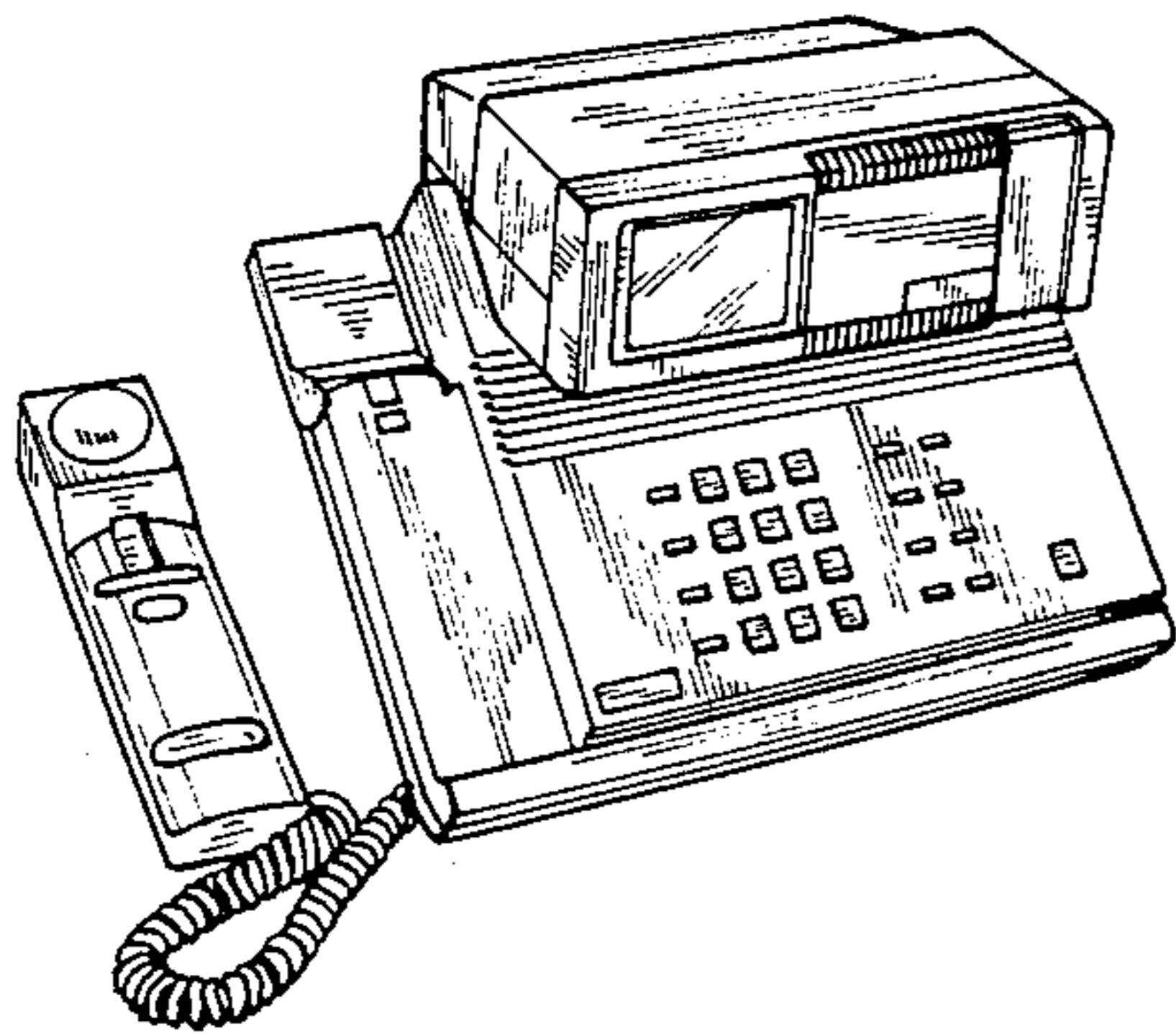


FIG. 9

