

[54] CORD AND CABLE STRAIN RELIEF

[75] Inventor: Jacques Filbert, Longueuil, Canada

[73] Assignee: Leviton Manufacturing Company, Inc., Little Neck, N.Y.

[\*\*] Term: 14 Years

[21] Appl. No.: 773,242

[22] Filed: Sep. 9, 1985

[52] U.S. Cl. .... D13/12; D13/24; D8/356

[58] Field of Search ..... D13/12, 28, 99; 174/153 R, 153 G; D8/356, 364

[56] References Cited

U.S. PATENT DOCUMENTS

3,958,300 5/1976 Tanaka ..... 174/153 G  
4,272,645 6/1981 Kornatowski ..... 174/153 G

FOREIGN PATENT DOCUMENTS

2238126 2/1974 Fed. Rep. of Germany ... 174/153 G

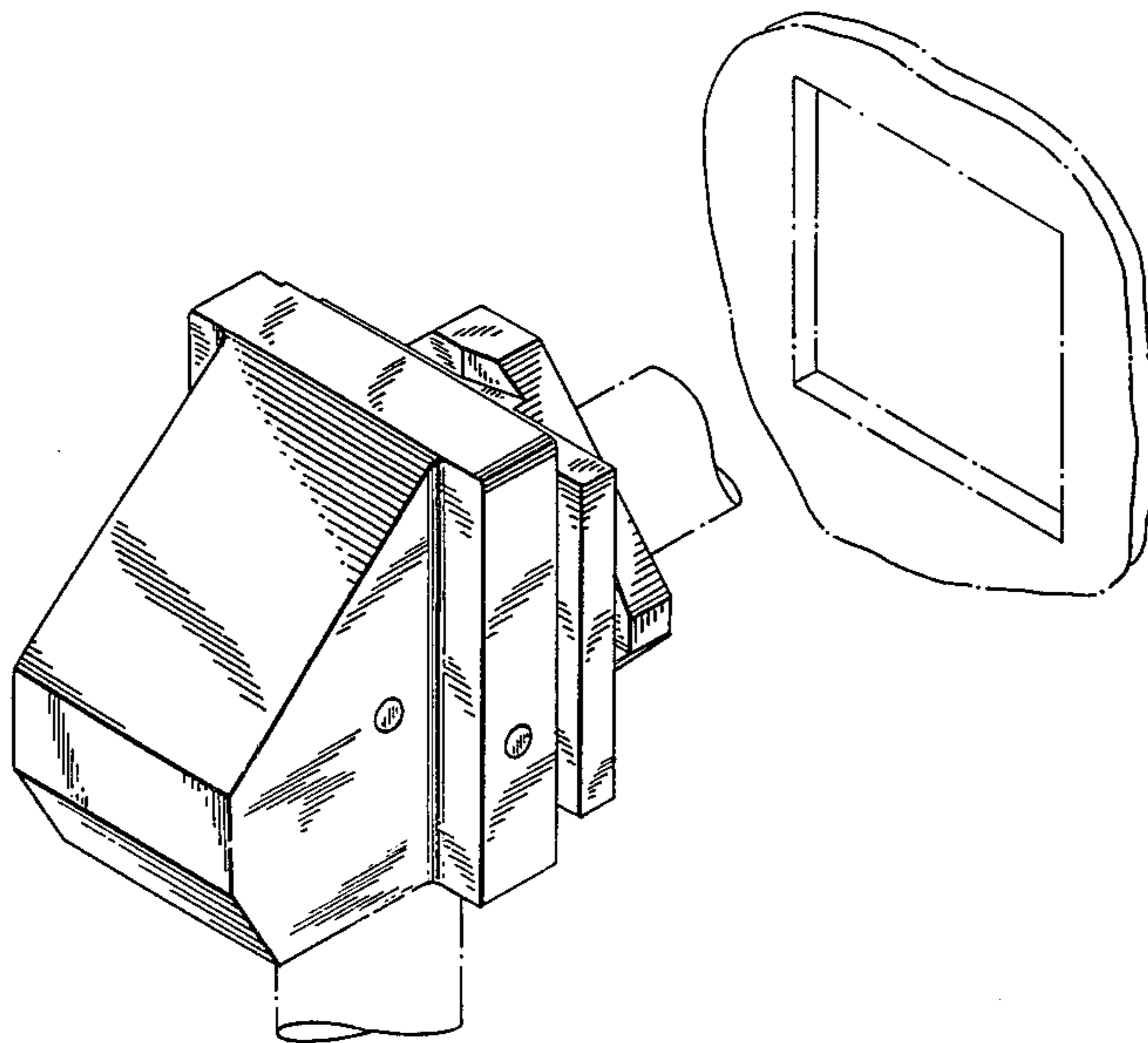
Primary Examiner—James M. Gandy  
Attorney, Agent, or Firm—Paul J. Sutton

[57] CLAIM

The ornamental design for a cord and cable strain relief, as shown and described.

DESCRIPTION

FIG. 1 is a top, left rear perspective view of a cord and cable strain relief showing my new design it being understood that the broken lines are for illustrative purposes only and form no part of the claimed design; FIG. 2 is a top plan view thereof; FIG. 3 is a front elevational view thereof; FIG. 4 is a right side elevational view thereof; FIG. 5 is a left side elevational view thereof; FIG. 6 is a rear elevational view thereof; and FIG. 7 is a bottom plan view thereof.



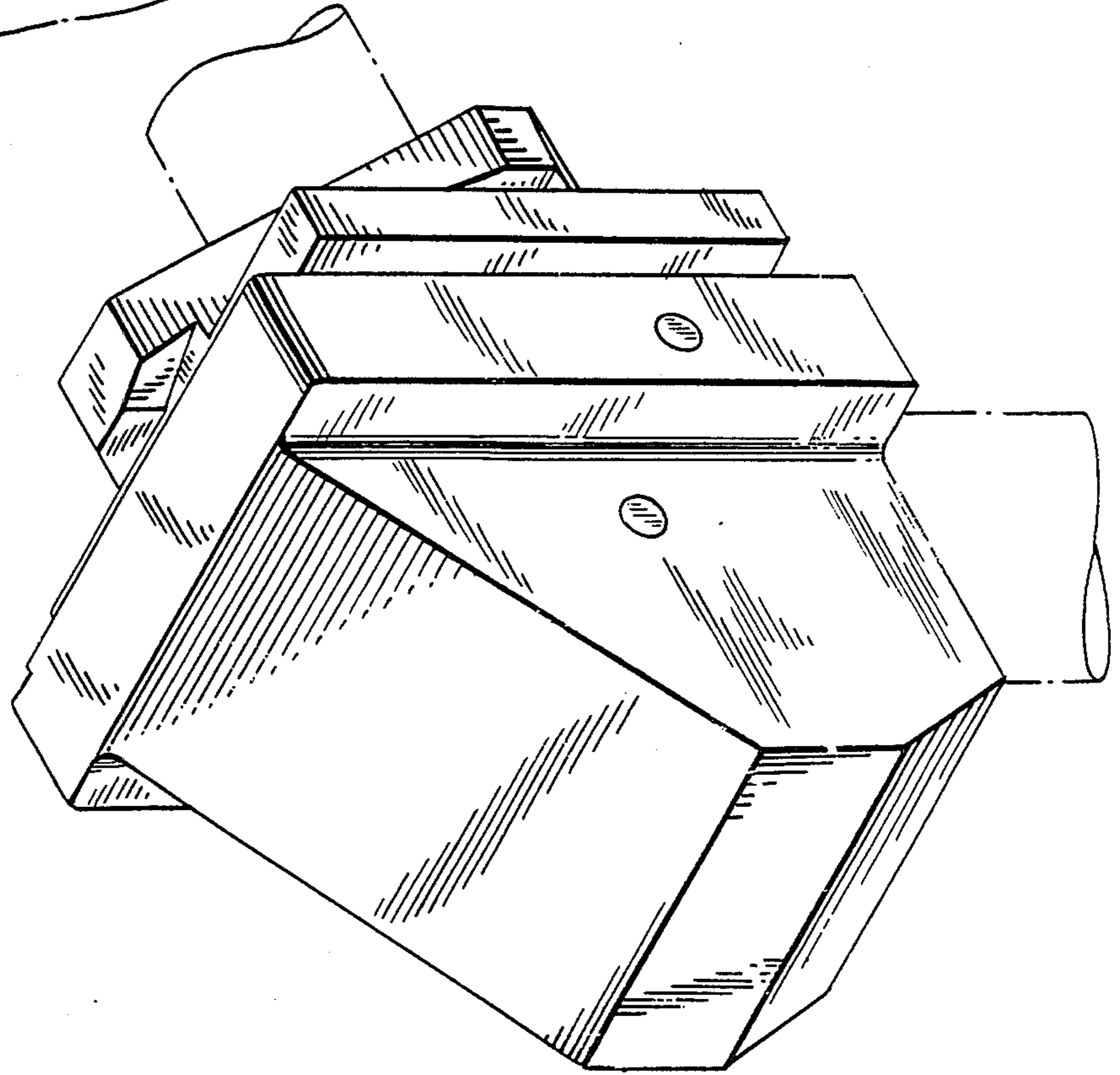
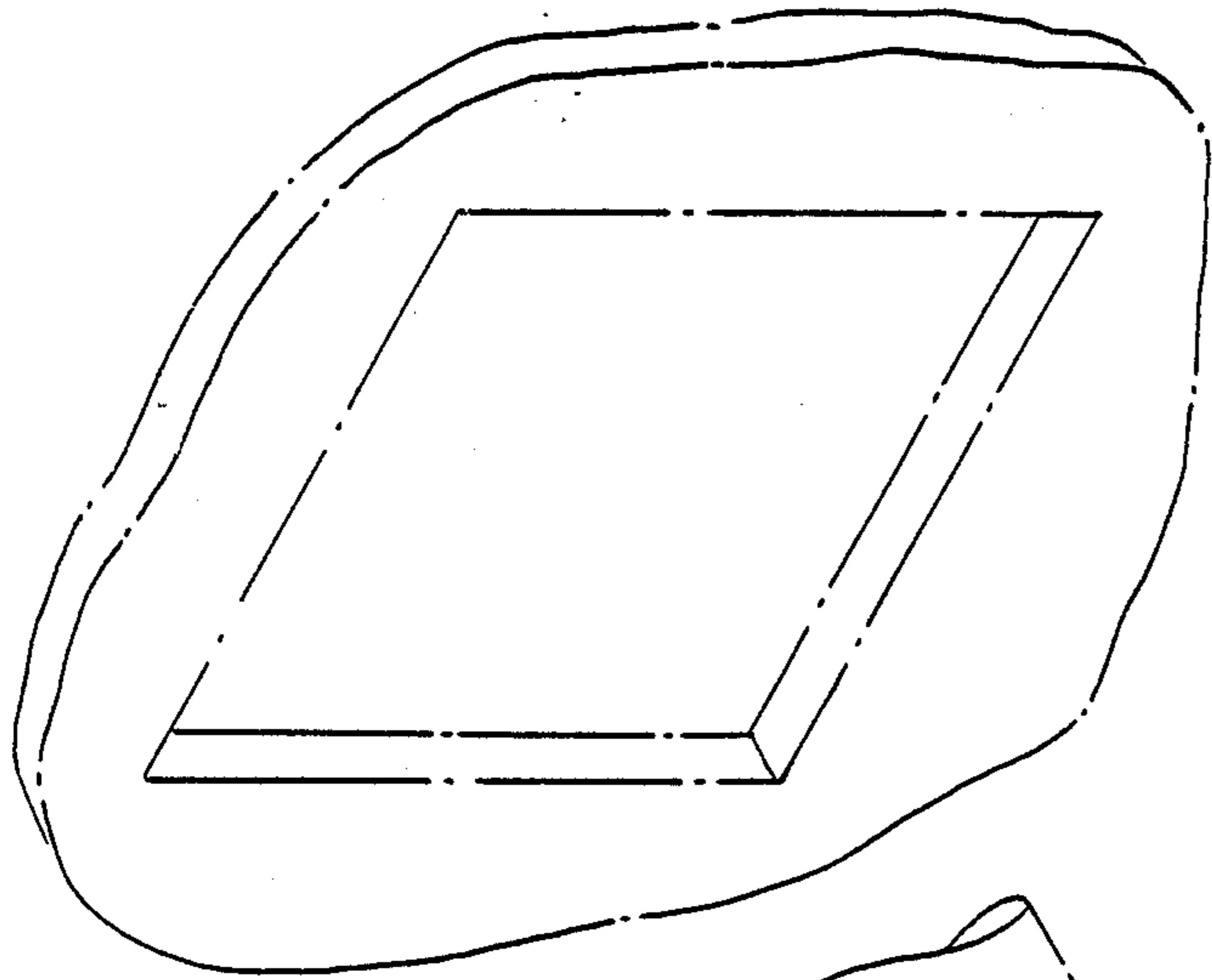


FIG. 1

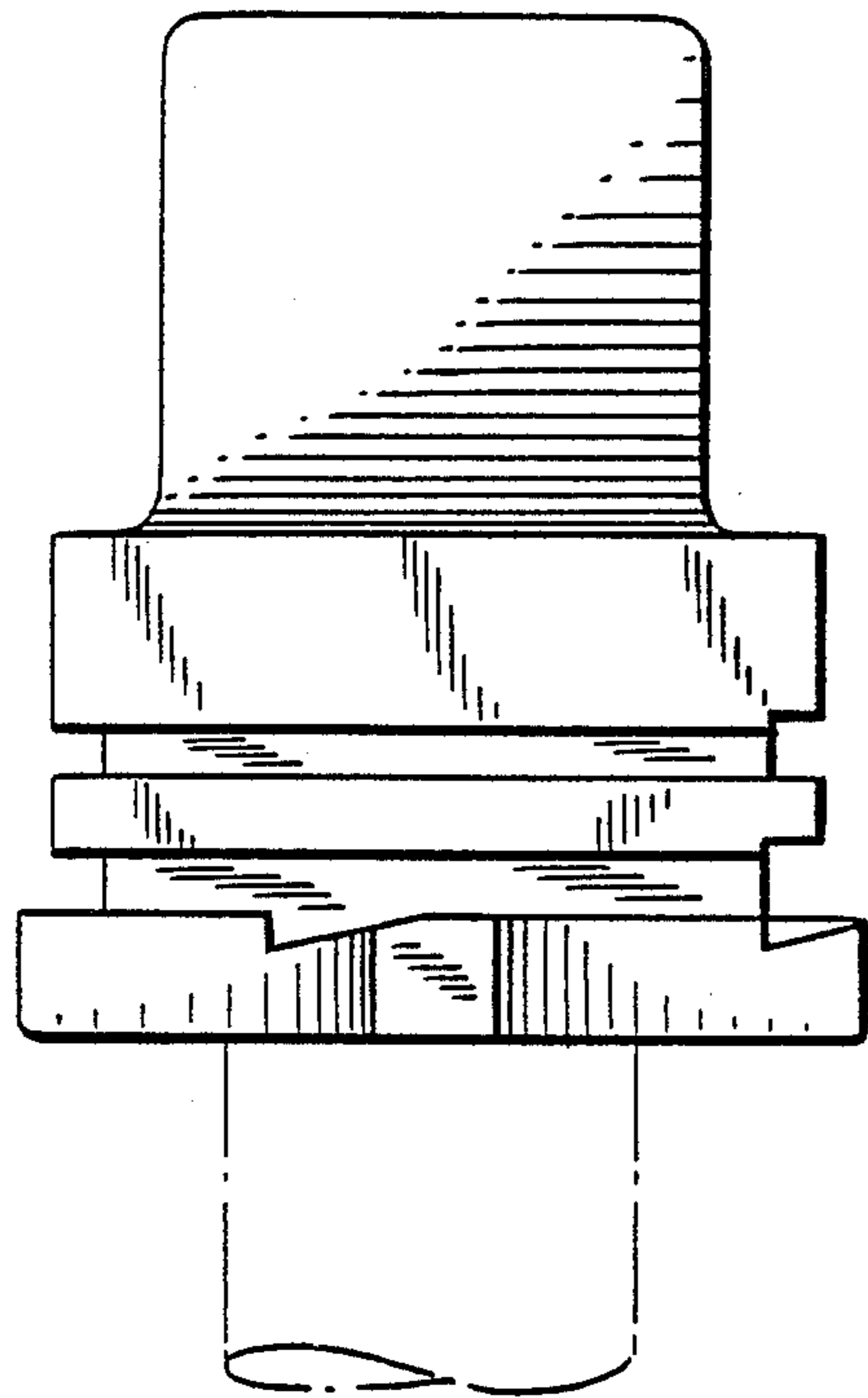


FIG. 2

FIG. 3

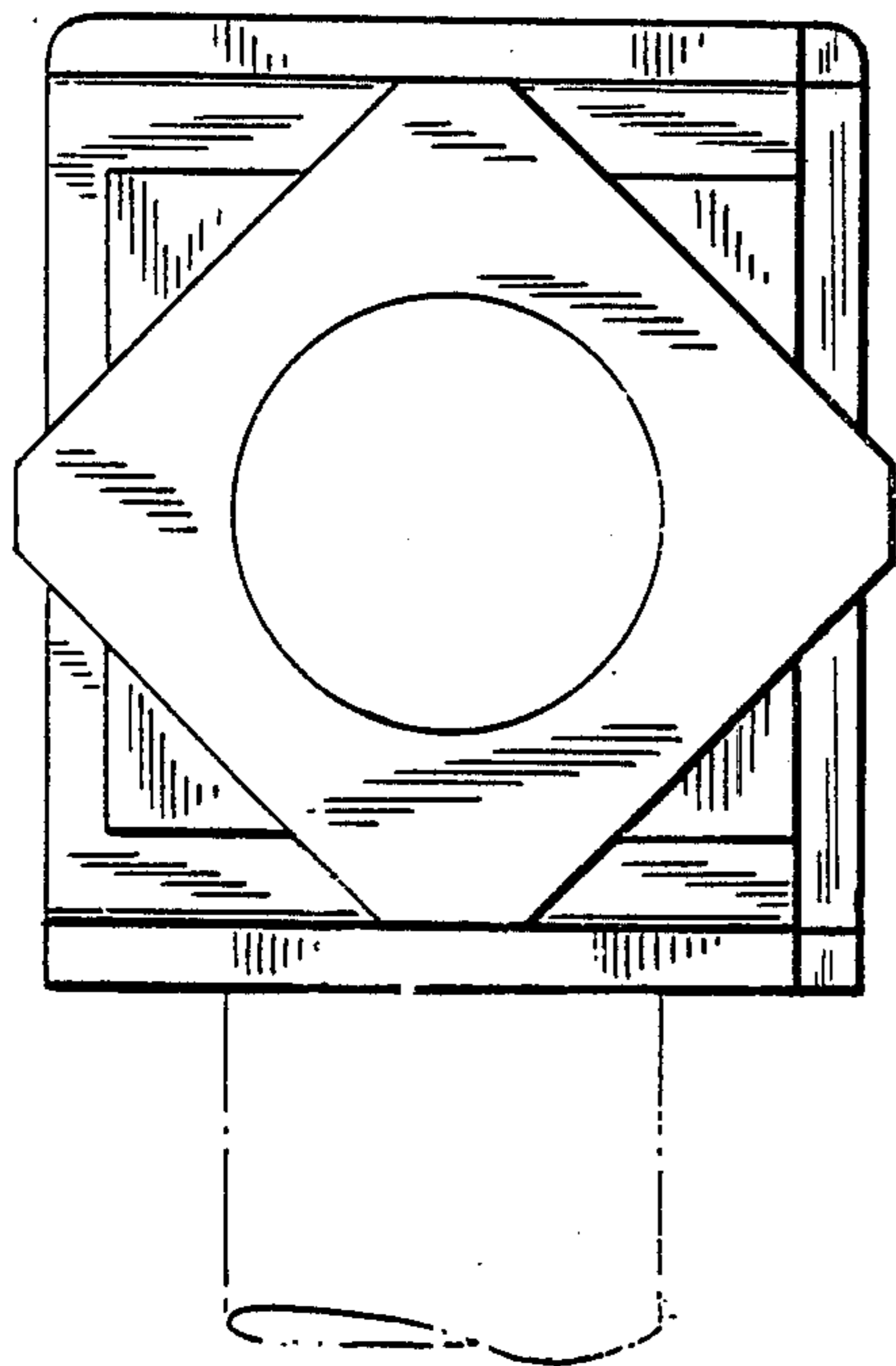
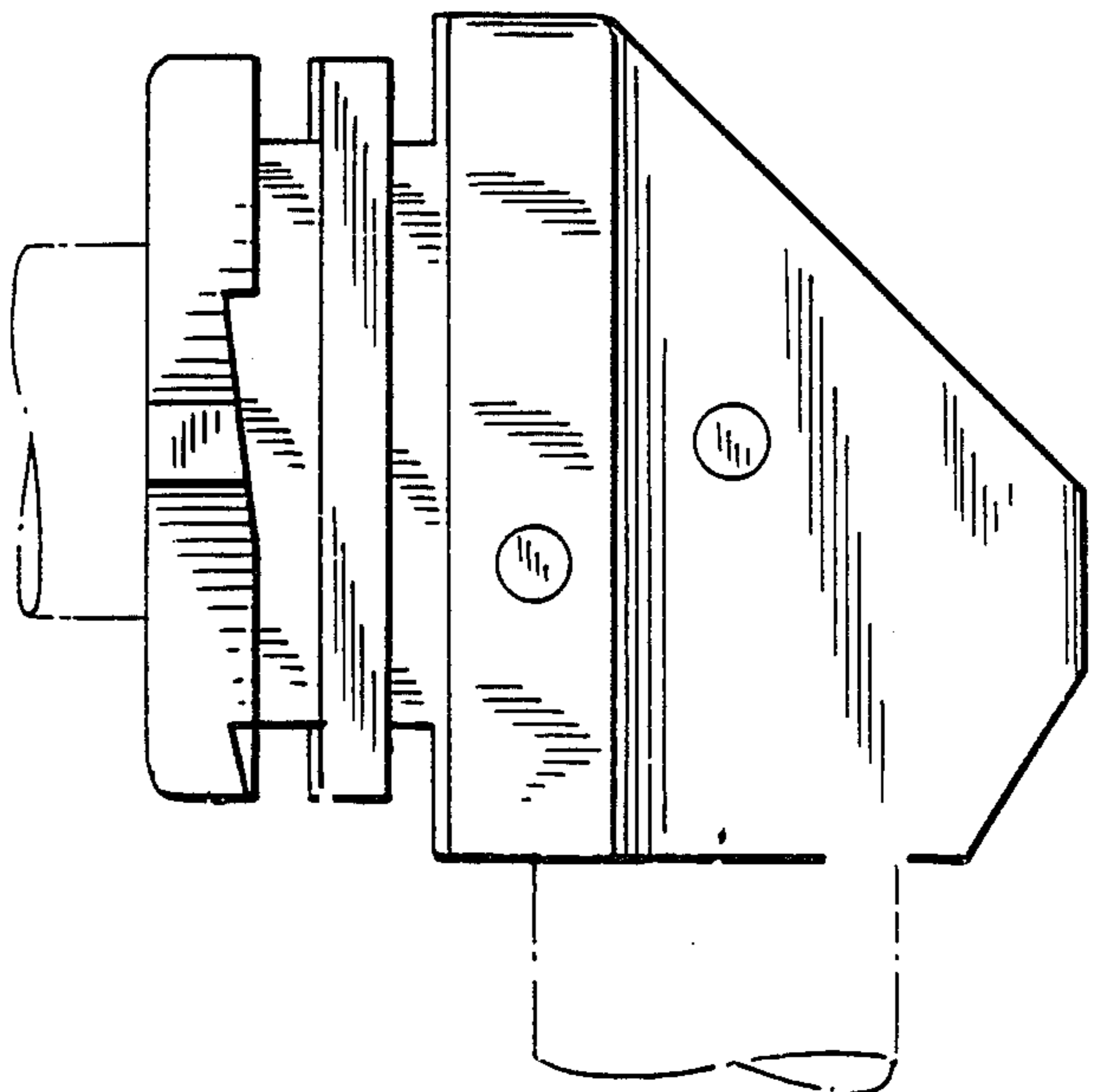


FIG. 4



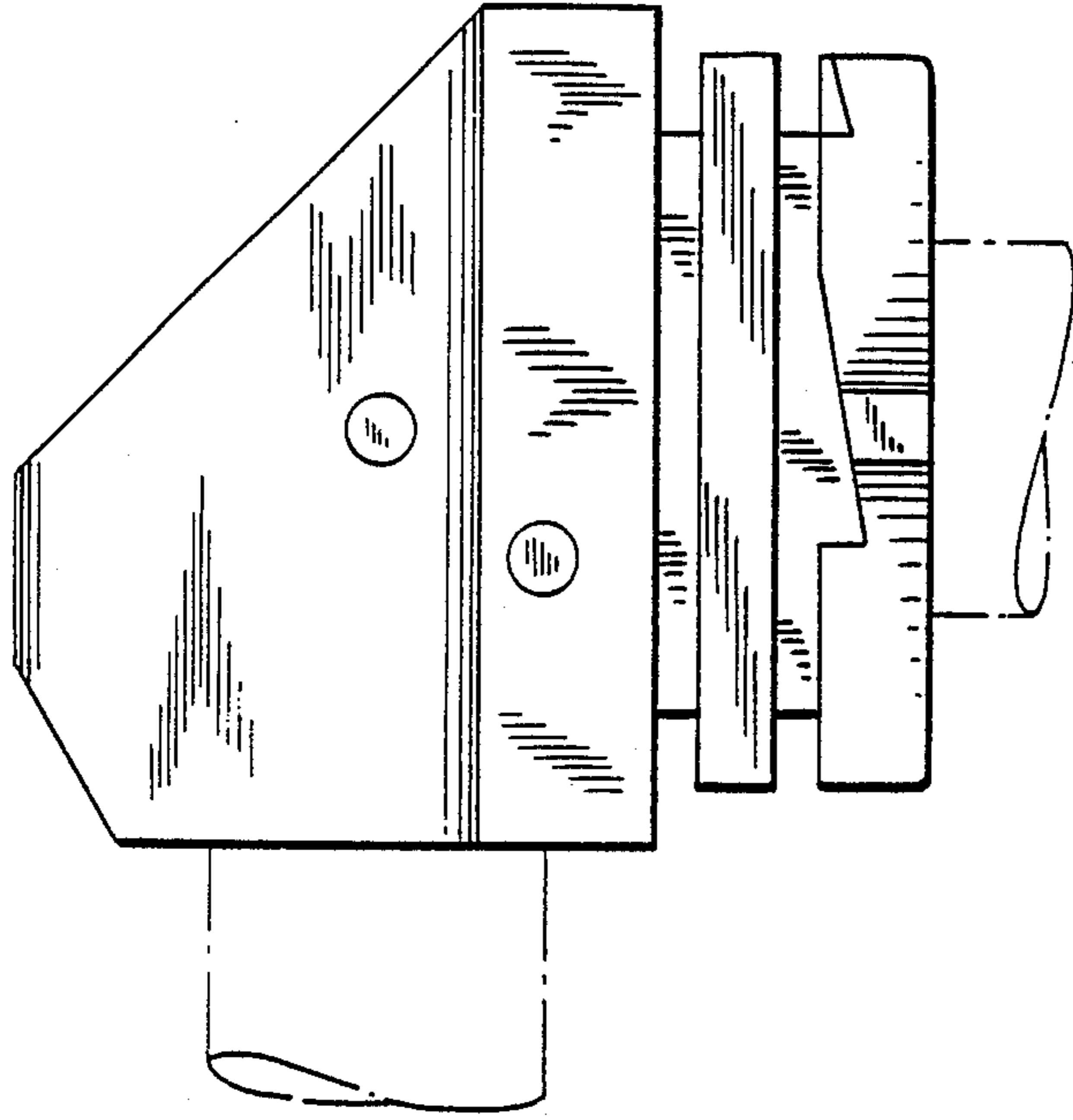


FIG. 5

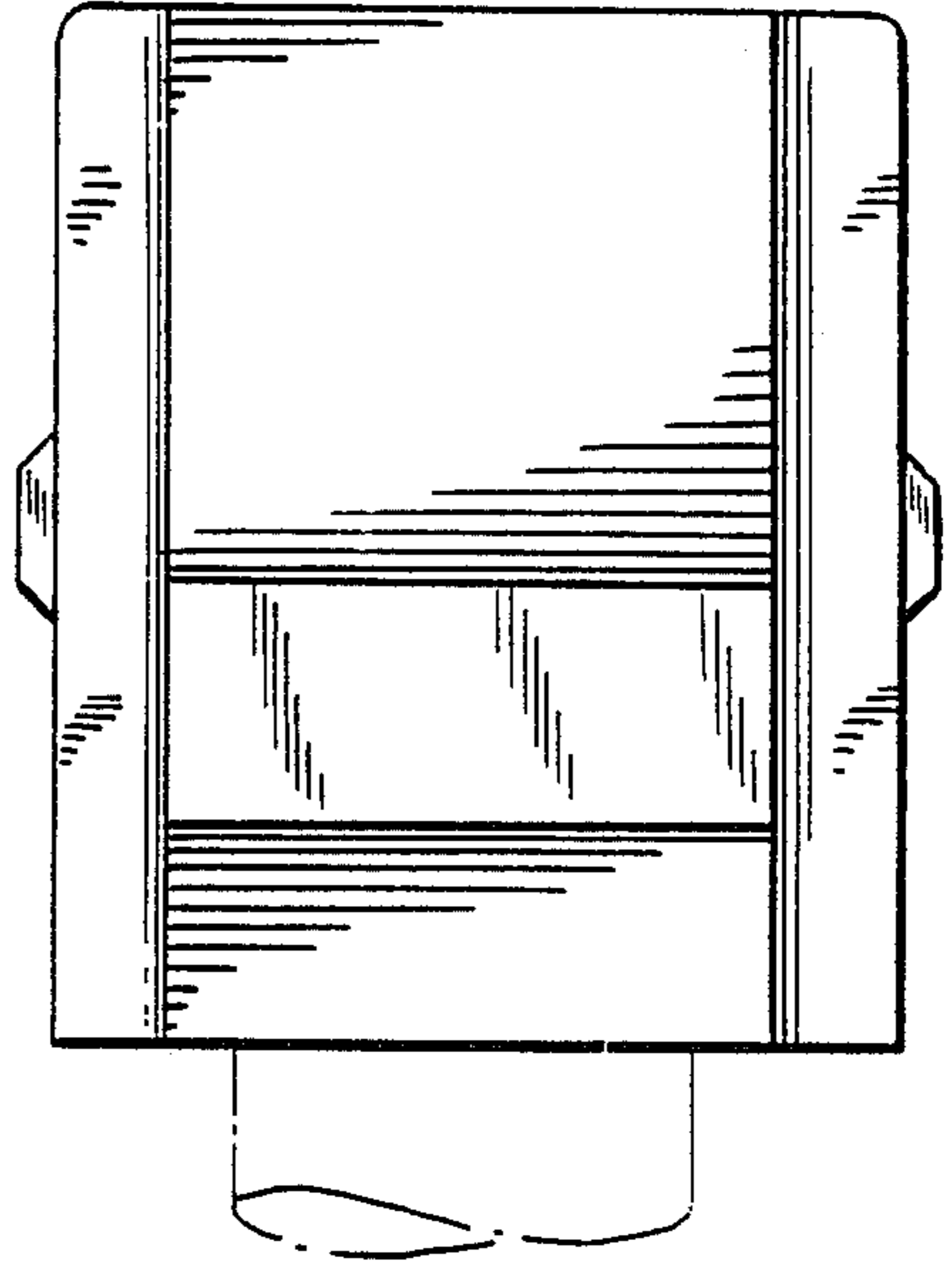


FIG. 6

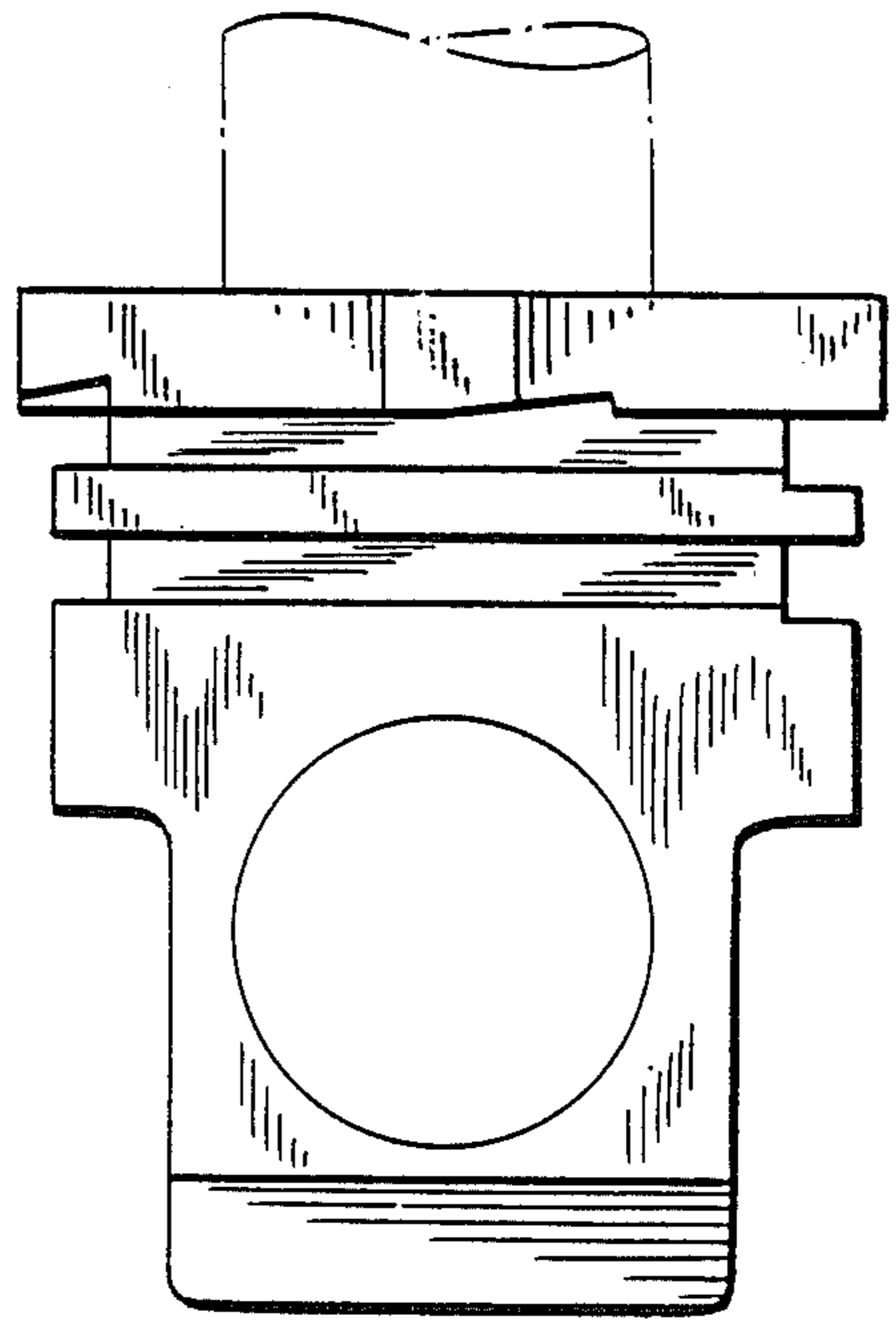


FIG. 7