

United States Patent [19]

Walling et al.

[11] Patent Number: **Des. 296,887**

[45] Date of Patent: **** Jul. 26, 1988**

[54] **VEHICLE TAIL GATE STEP**

[76] Inventors: **Henry F. Walling; Gracie L. Walling,**
both of Rte. 1 Box 16A, Tennessee
Ridge, Tenn. 37178

[**] Term: **14 Years**

[21] Appl. No.: **914,750**

[22] Filed: **Dec. 29, 1986**

[52] U.S. Cl. **D12/203**

[58] Field of Search **D12/203; D25/62, 63,**
D25/68, 69; 280/163, 164 R, 166; 182/150, 189,
196, 90, 92

[56] **References Cited**

U.S. PATENT DOCUMENTS

2,975,858 3/1961 Billingsley 182/90
4,191,388 3/1980 Barksdale 280/166

4,524,475 6/1985 Valentino 182/92
4,639,032 1/1987 Barbour 280/164 R

Primary Examiner—James M. Gandy

[57] **CLAIM**

The ornamental design for a vehicle tail gate step, as shown and described.

DESCRIPTION

FIG. 1 is a perspective view of the vehicle tail gate step showing our design it being understood that the broken lines are for illustrative purposes only and form no part of the claimed design.

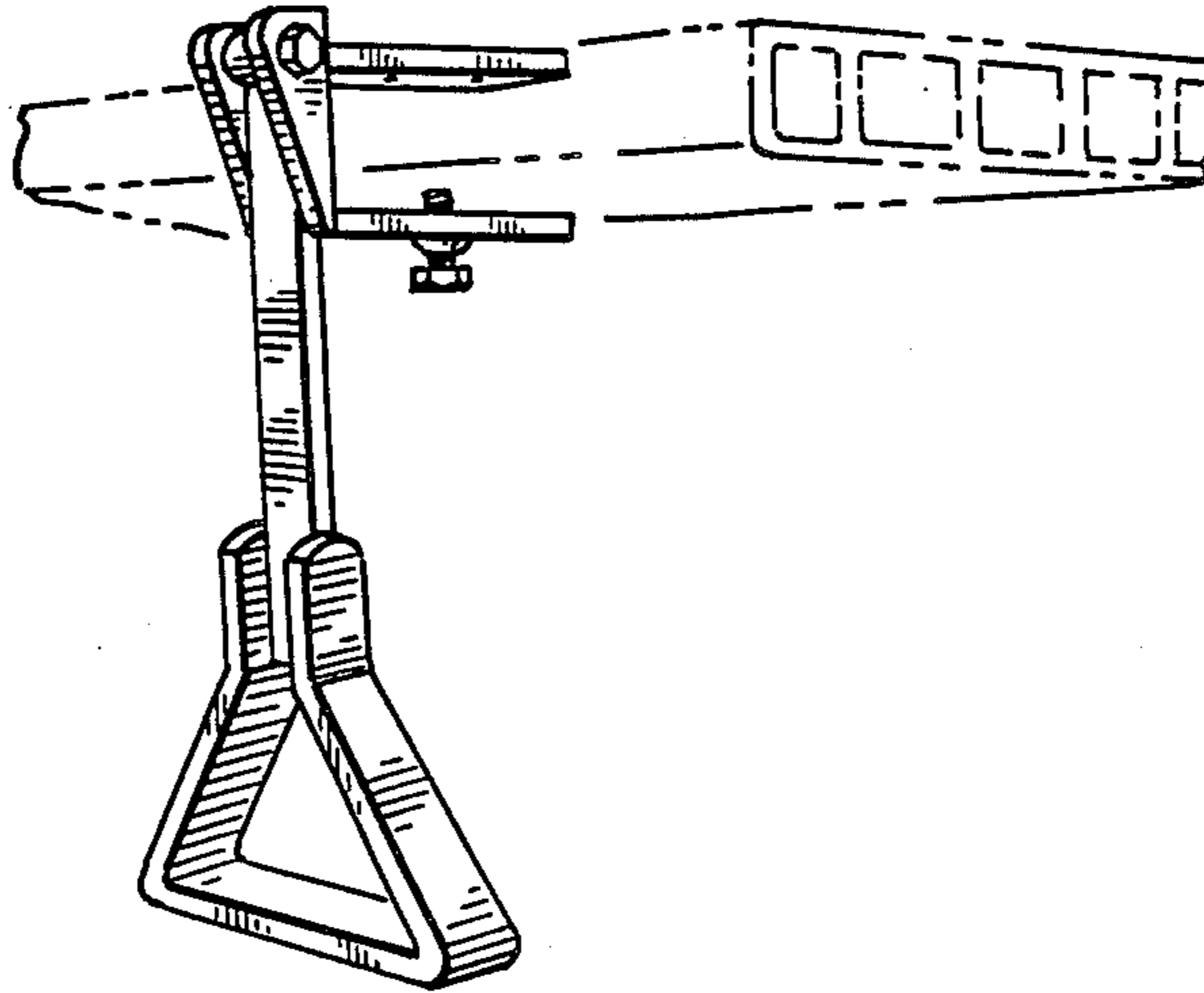
FIG. 2 is an enlarged front elevational view thereof.

FIG. 3 is an enlarged right side elevational view thereof.

FIG. 4 is an enlarged top plan view thereof.

FIG. 5 is an enlarged bottom plan view thereof.

FIG. 6 is an enlarged rear elevational view thereof.



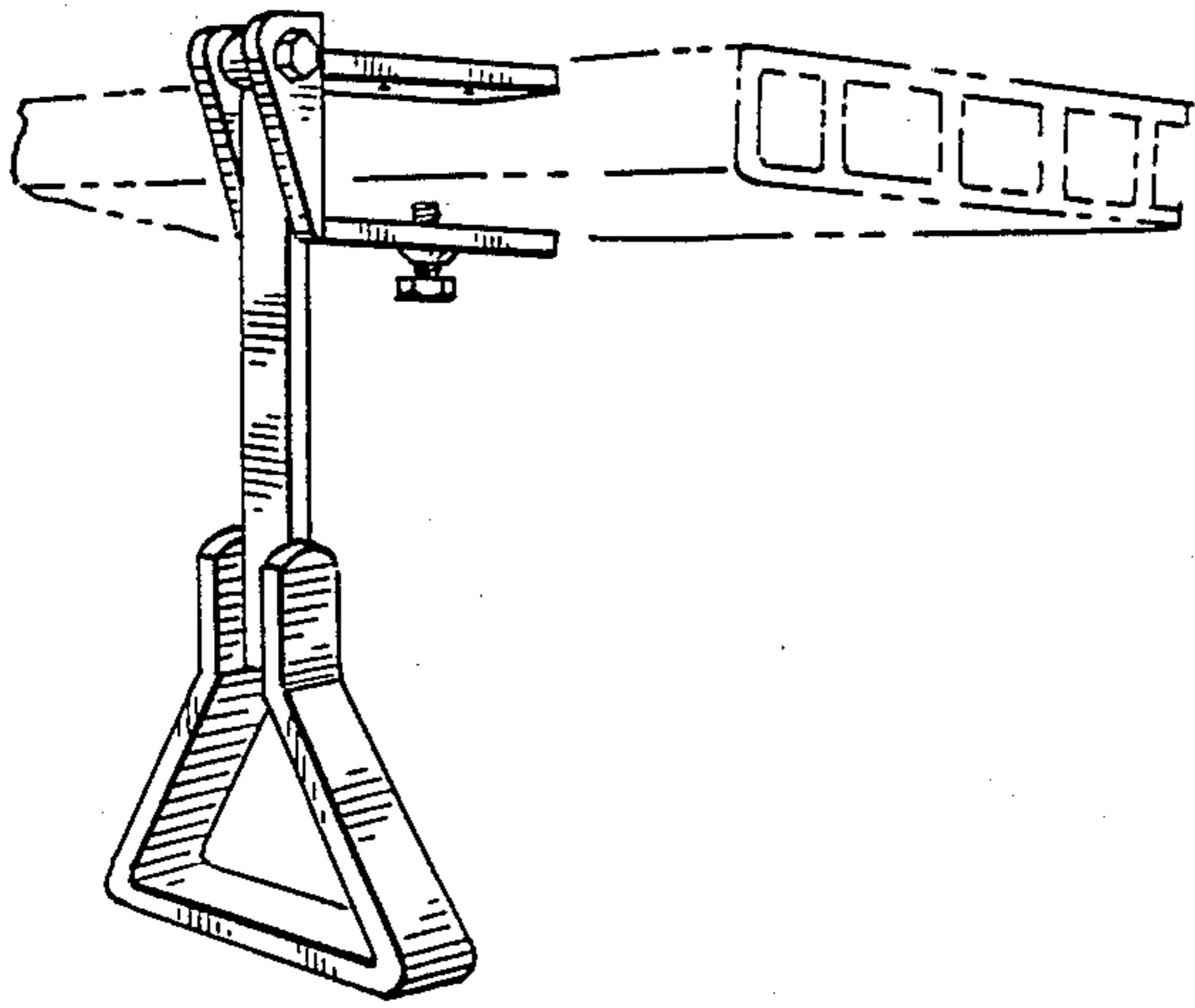


FIG. 1

FIG. 4

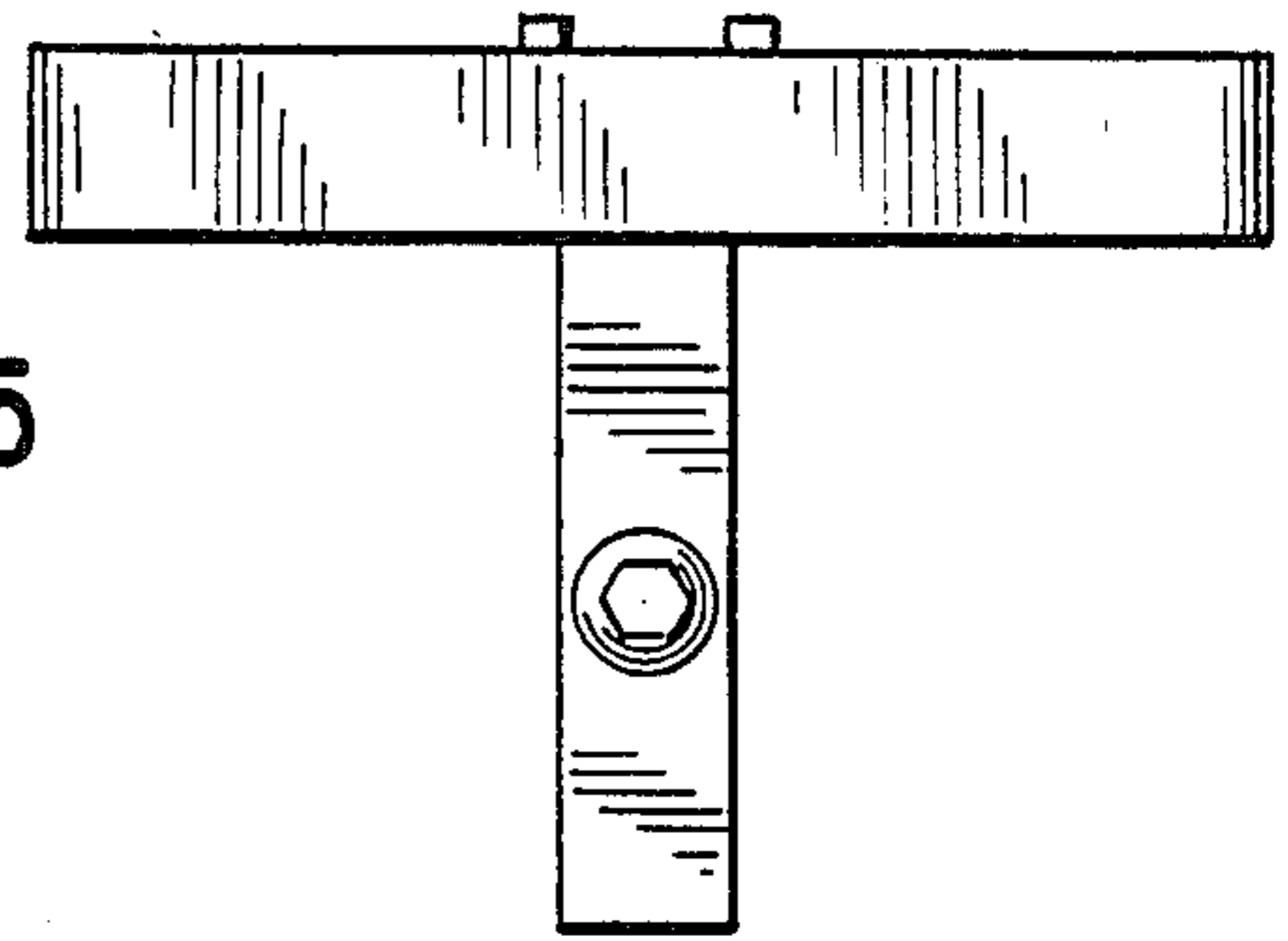
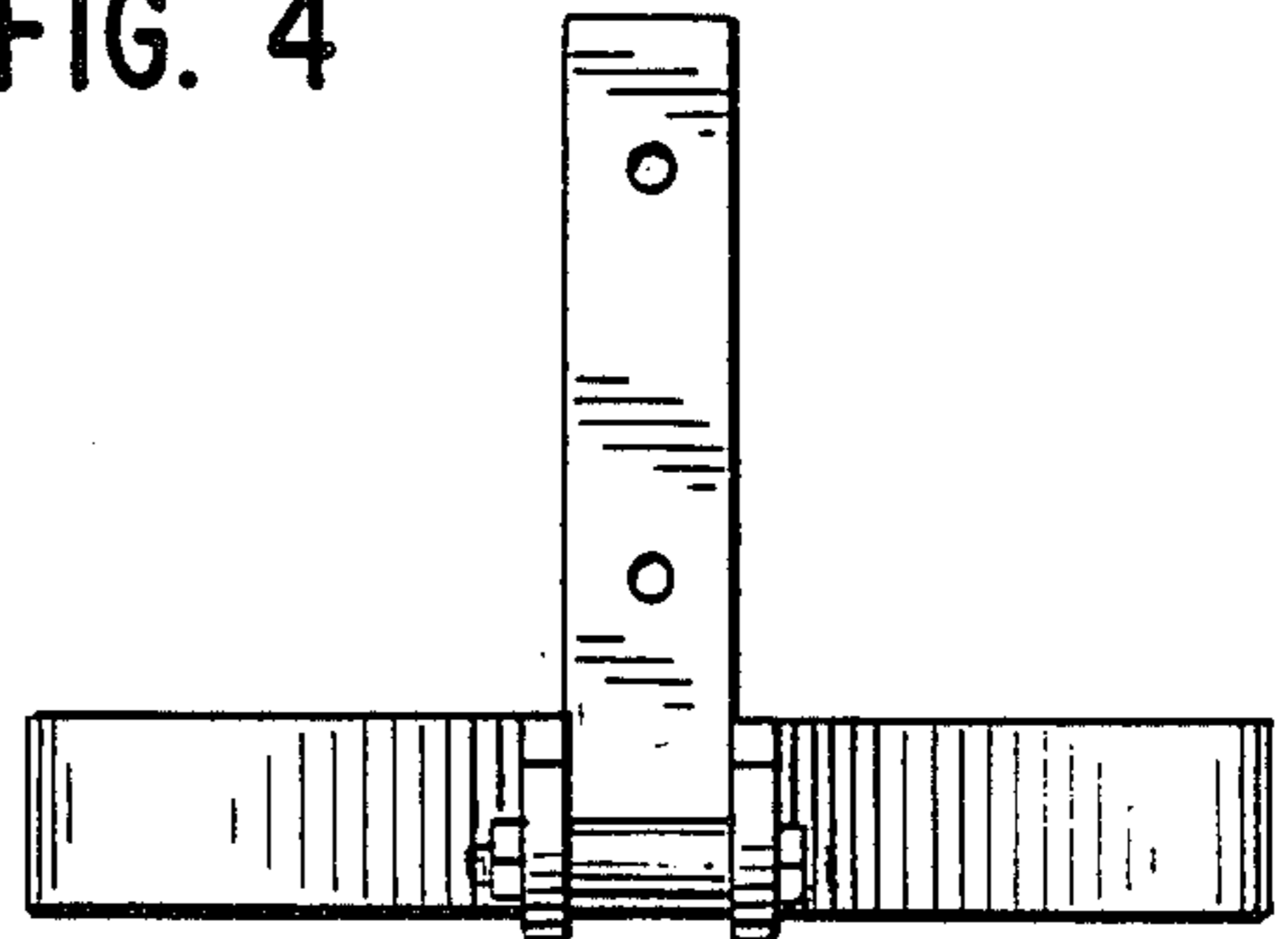


FIG. 5

FIG. 2

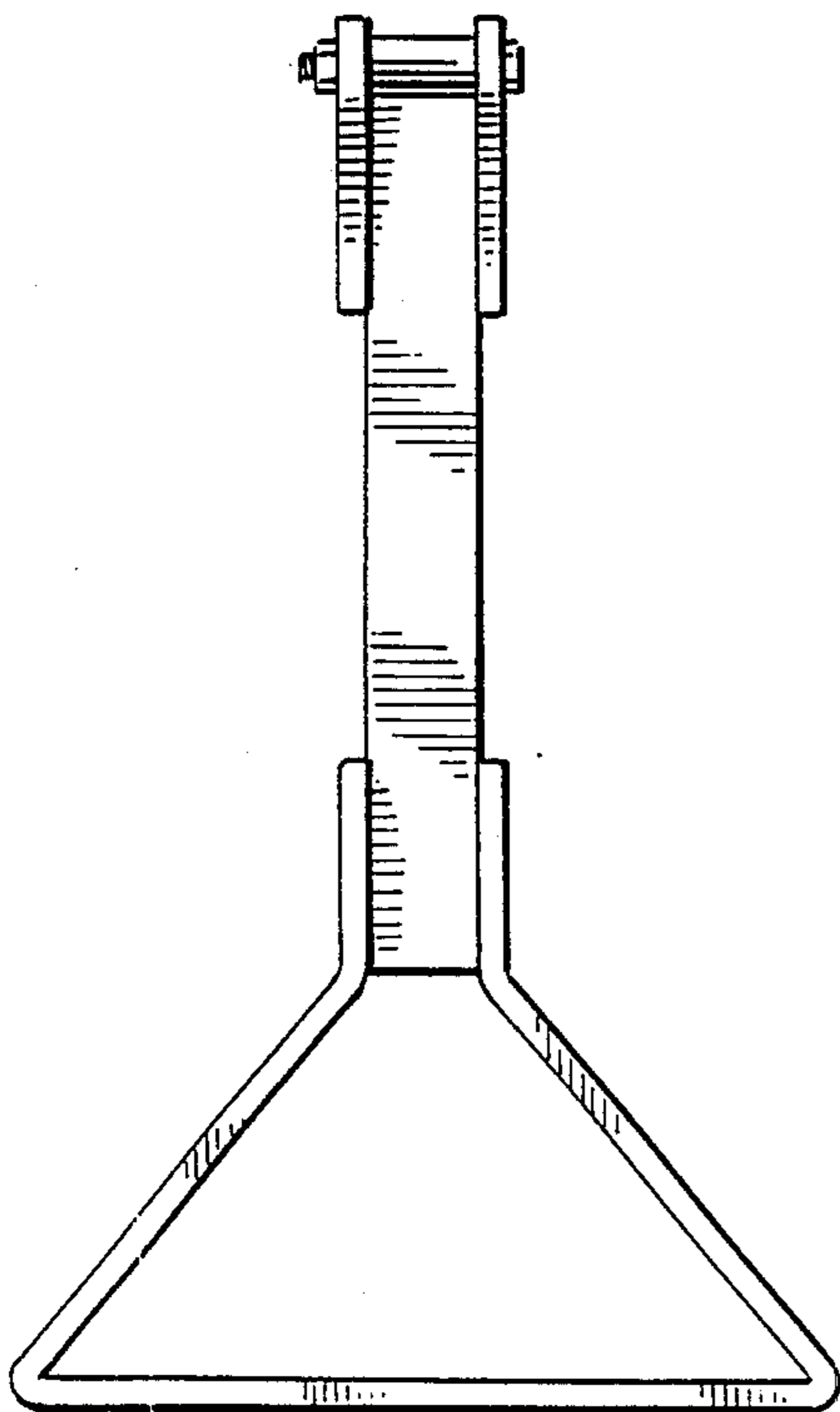


FIG. 3

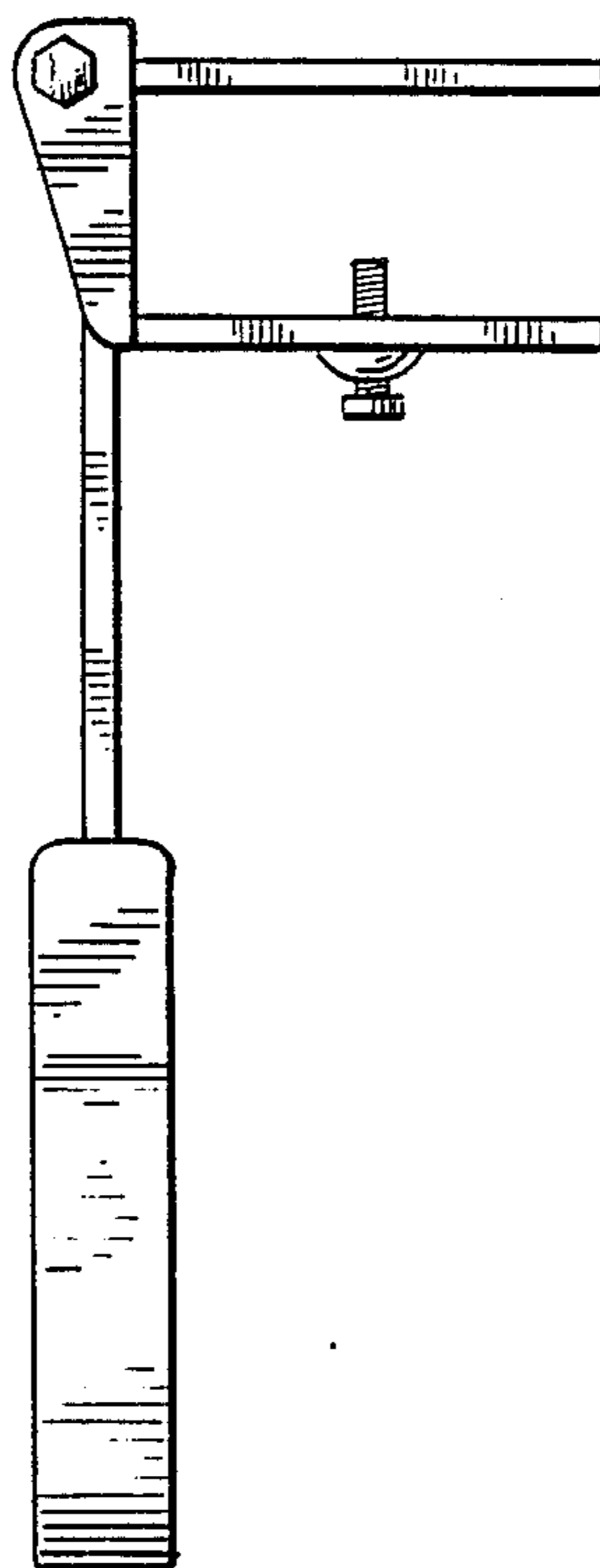


FIG. 6

