

[54] **TRAILER EXTENSION HITCH**

[76] **Inventor: Mike C. Young, Jr., Rte. 2, Box 252-A, Bunkie, La. 71322**

[**] **Term: 14 Years**

[21] **Appl. No.: 761,528**

[22] **Filed: Aug. 1, 1985**

[52] **U.S. Cl. D12/162**

[58] **Field of Search D12/162; 280/456 R, 280/460 R, 482, 504, 478 A, 462, 467, 513, 514, 515**

[56] **References Cited**

U.S. PATENT DOCUMENTS

2,612,382 9/1952 Landis 280/456 R

2,665,144 1/1954 Birdwell 280/515
2,918,310 12/1959 Carson D12/162
3,057,644 10/1962 Fisher 280/478 A

Primary Examiner—James M. Gandy
Attorney, Agent, or Firm—Terry M. Gernstein

[57] **CLAIM**

The ornamental design for a trailer extension hitch, as shown.

DESCRIPTION

FIG. 1 is a perspective view of a trailer extension hitch showing my new design.

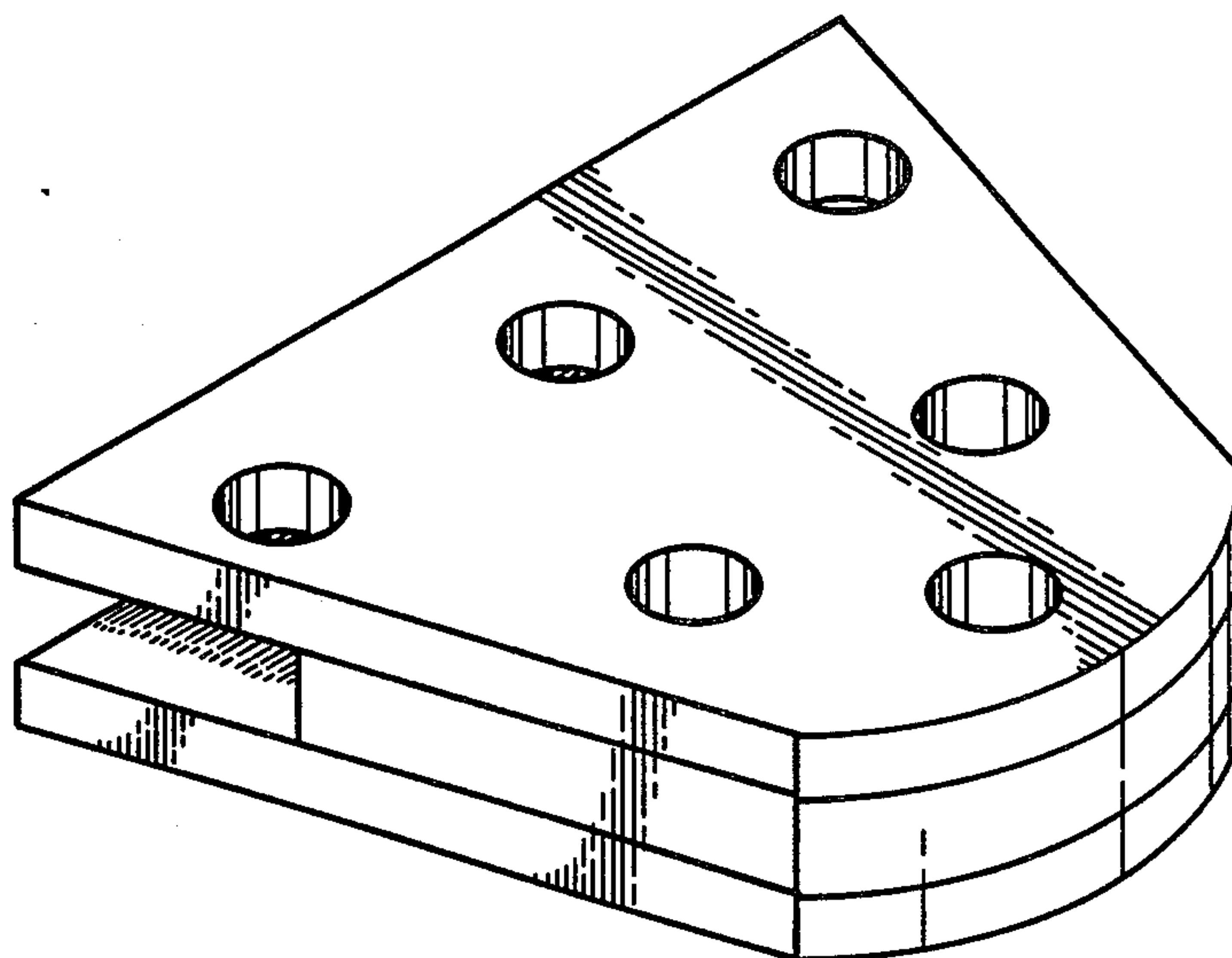
FIG. 2 is a left side elevation view thereof.

FIG. 3 is a right side elevation view thereof.

FIG. 4 is a rear elevation view thereof.

FIG. 5 is a front elevation view thereof.

FIG. 6 is a bottom plan view thereof.



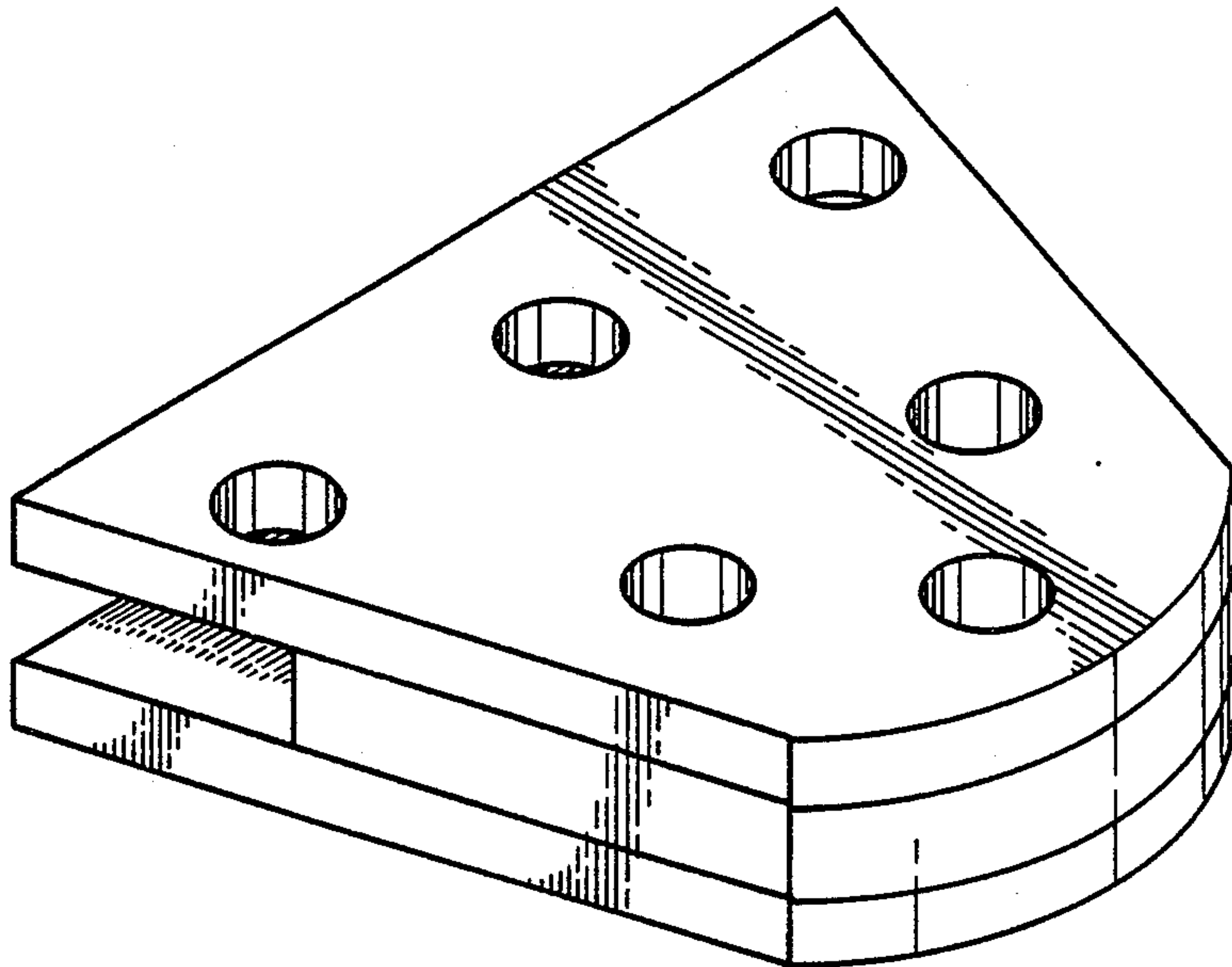


Fig. 1

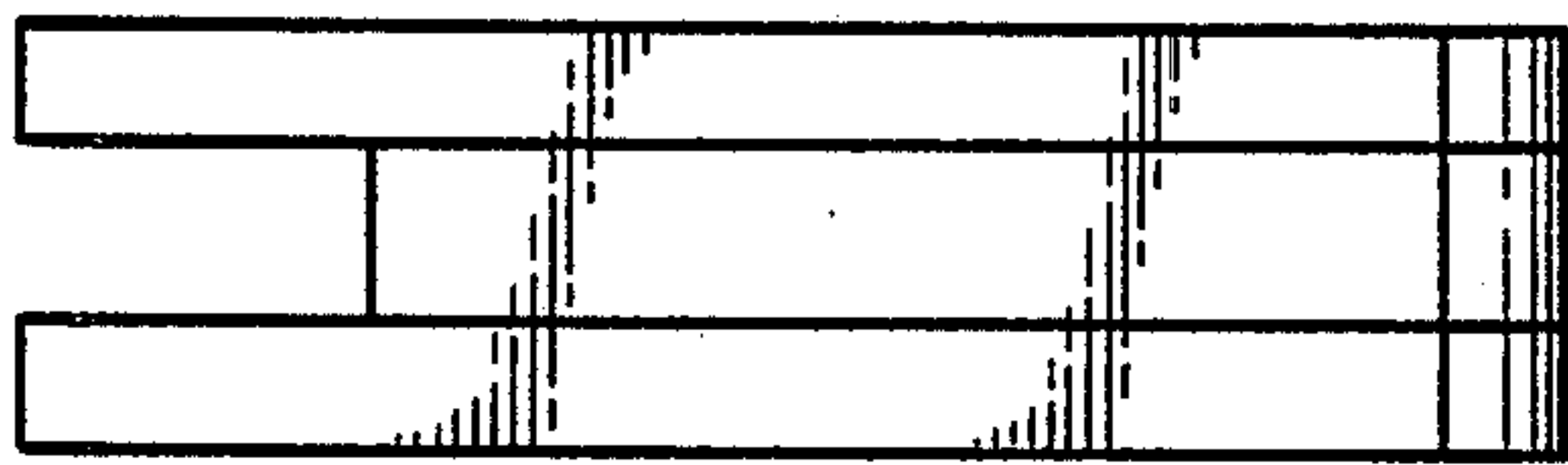


Fig. 2

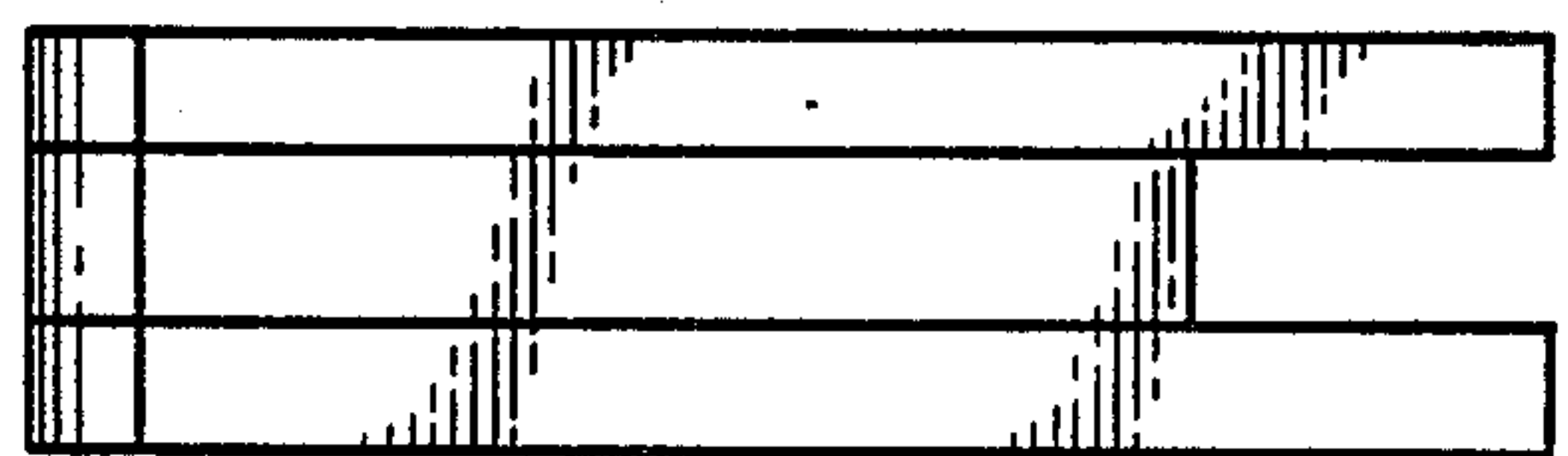


Fig. 3

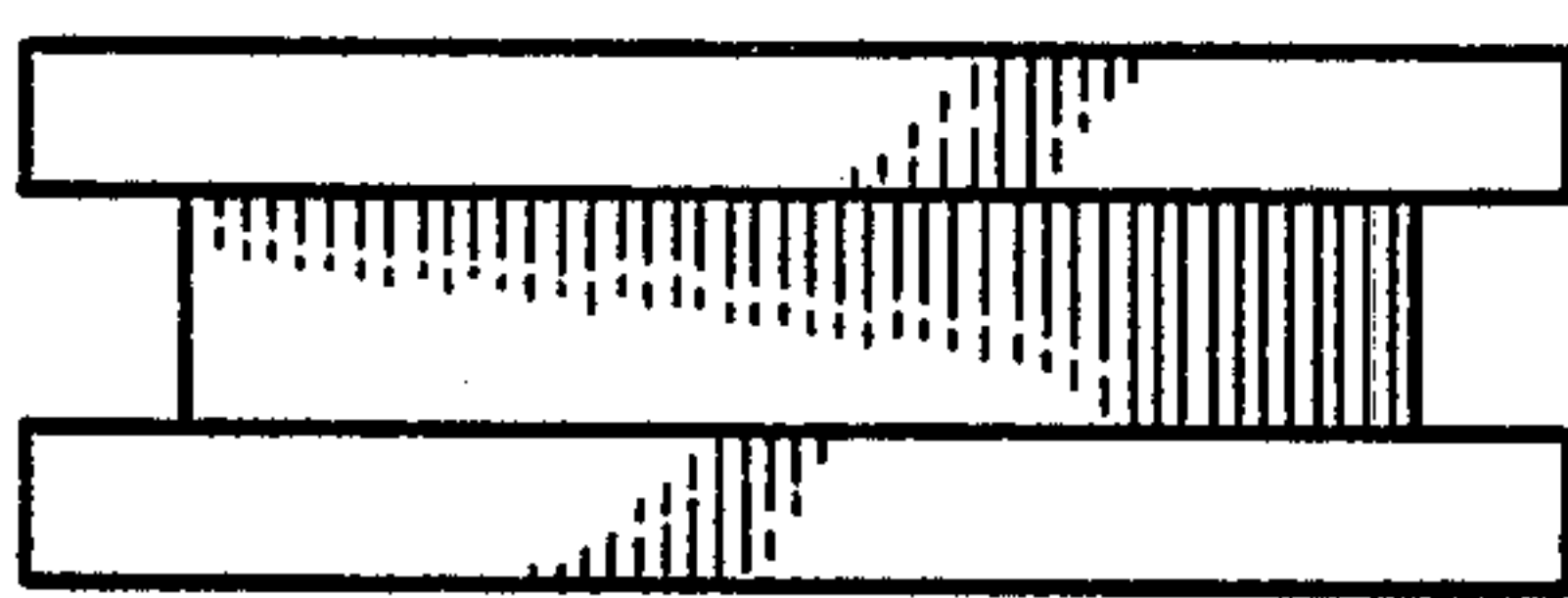


Fig. 4

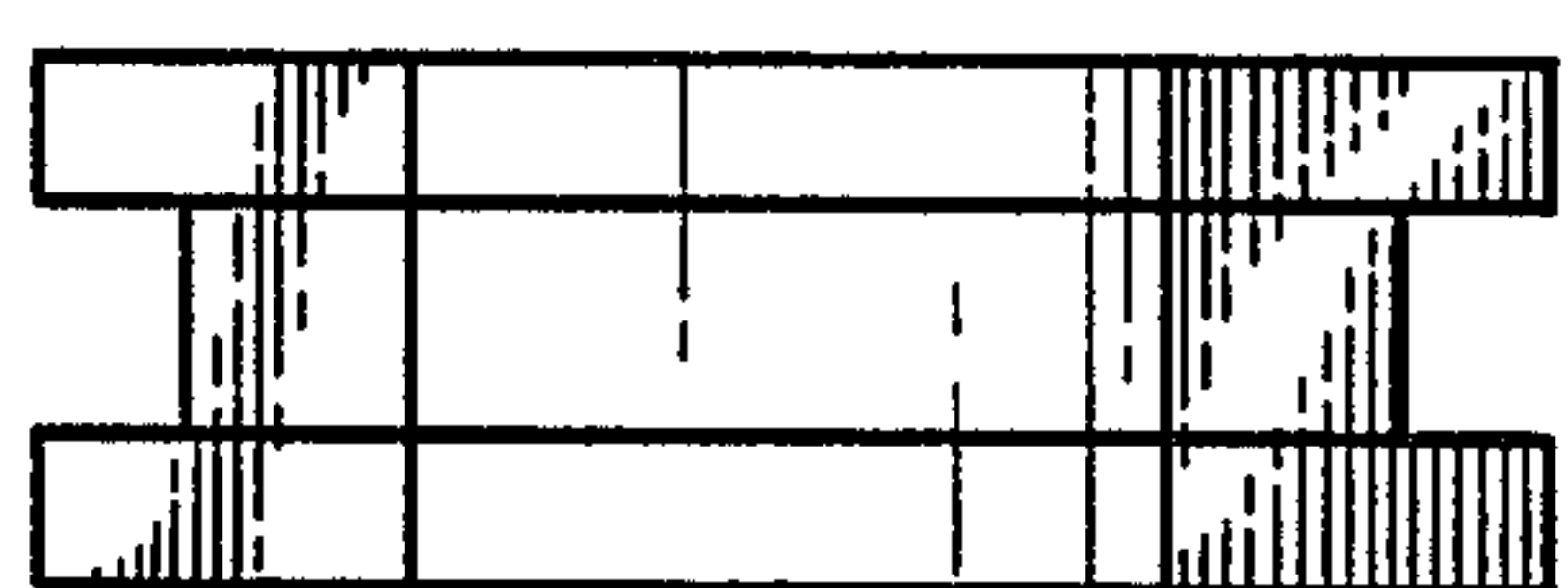


Fig. 5

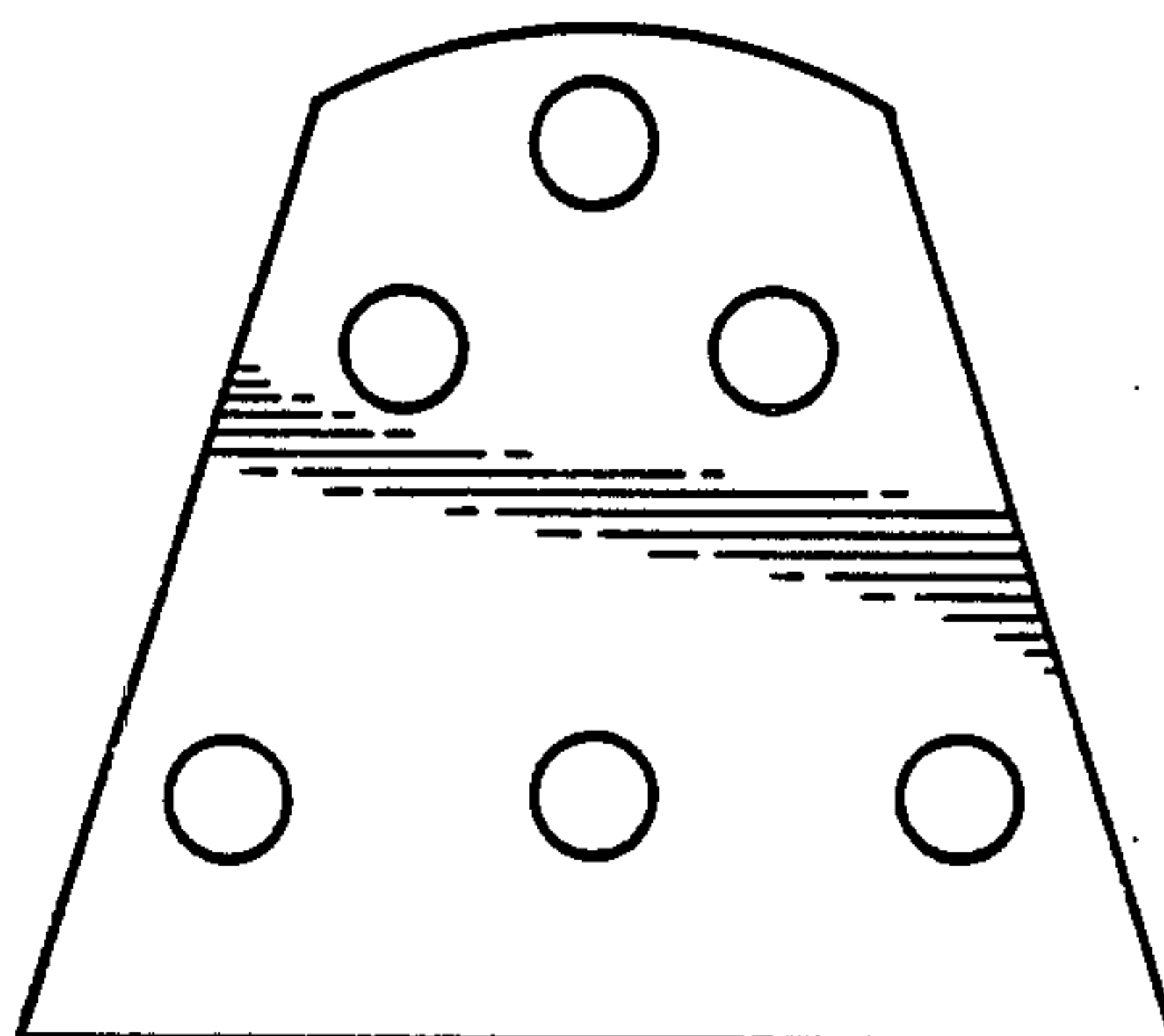


Fig. 6