

[54] INTERIOR HEADLINER FOR A SPORT ROOF VAN

- D. 252,143 6/1979 Moore, Sr. et al. D12/155
- D. 260,013 7/1981 Hoese D12/155
- D. 260,143 8/1981 Hoese D12/155
- D. 282,251 1/1986 Isham et al. D12/155

[75] Inventor: Bob J. Higgins, Elkhart, Ind.

Primary Examiner—James M. Gandy
Attorney, Agent, or Firm—Gordon W. Hueschen

[73] Assignee: Trans-Aire International, Inc., Elkhart, Ind.

[**] Term: 14 Years

[57] CLAIM

[21] Appl. No.: 925,873

The ornamental design for an interior headliner for a sport roof van, as shown.

[22] Filed: Oct. 30, 1986

DESCRIPTION

[52] U.S. Cl. D12/155

[58] Field of Search D12/155, 192; 180/90; 296/37.7

FIG. 1 is a bottom plan view of an interior headliner for a sport van showing my new design; FIG. 2 is a right side elevation view thereof, the left side being a mirror image of that shown; FIG. 3 is a top plan view thereof; FIG. 4 is a rear elevation view thereof; and FIG. 5 is a front elevation view thereof.

[56] References Cited

U.S. PATENT DOCUMENTS

- D. 245,328 8/1977 Davis et al. D12/155

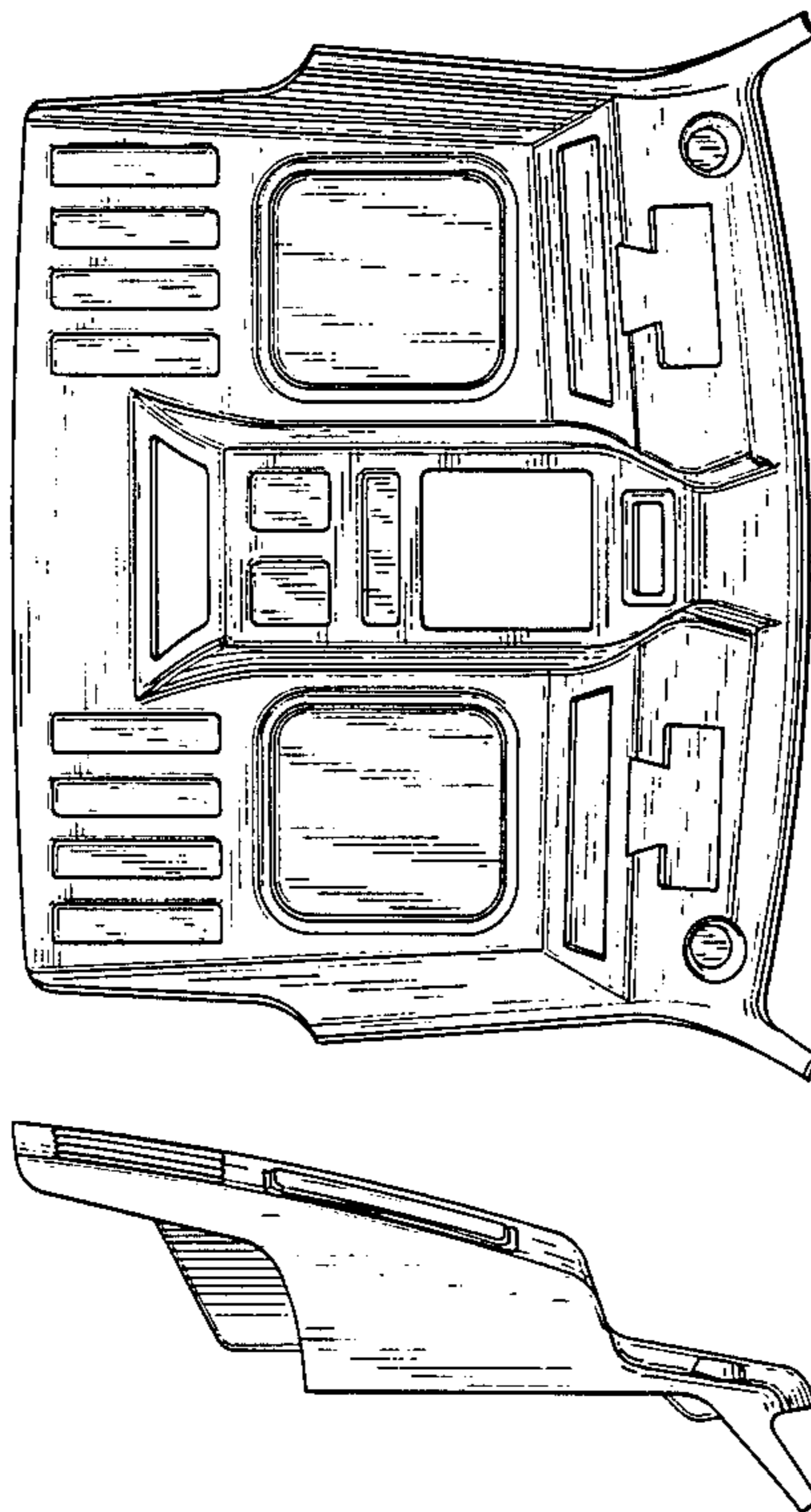


Fig. 1

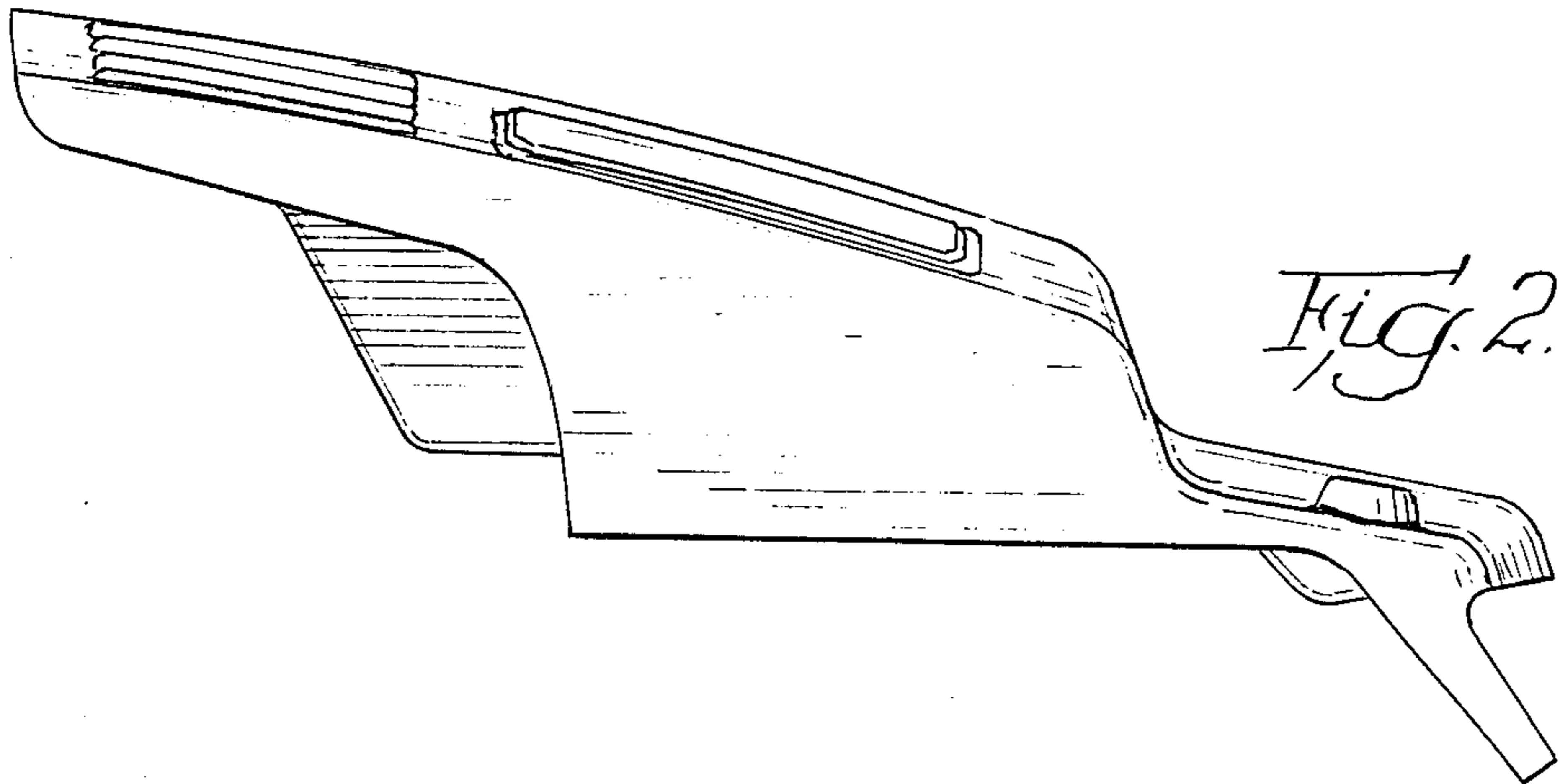
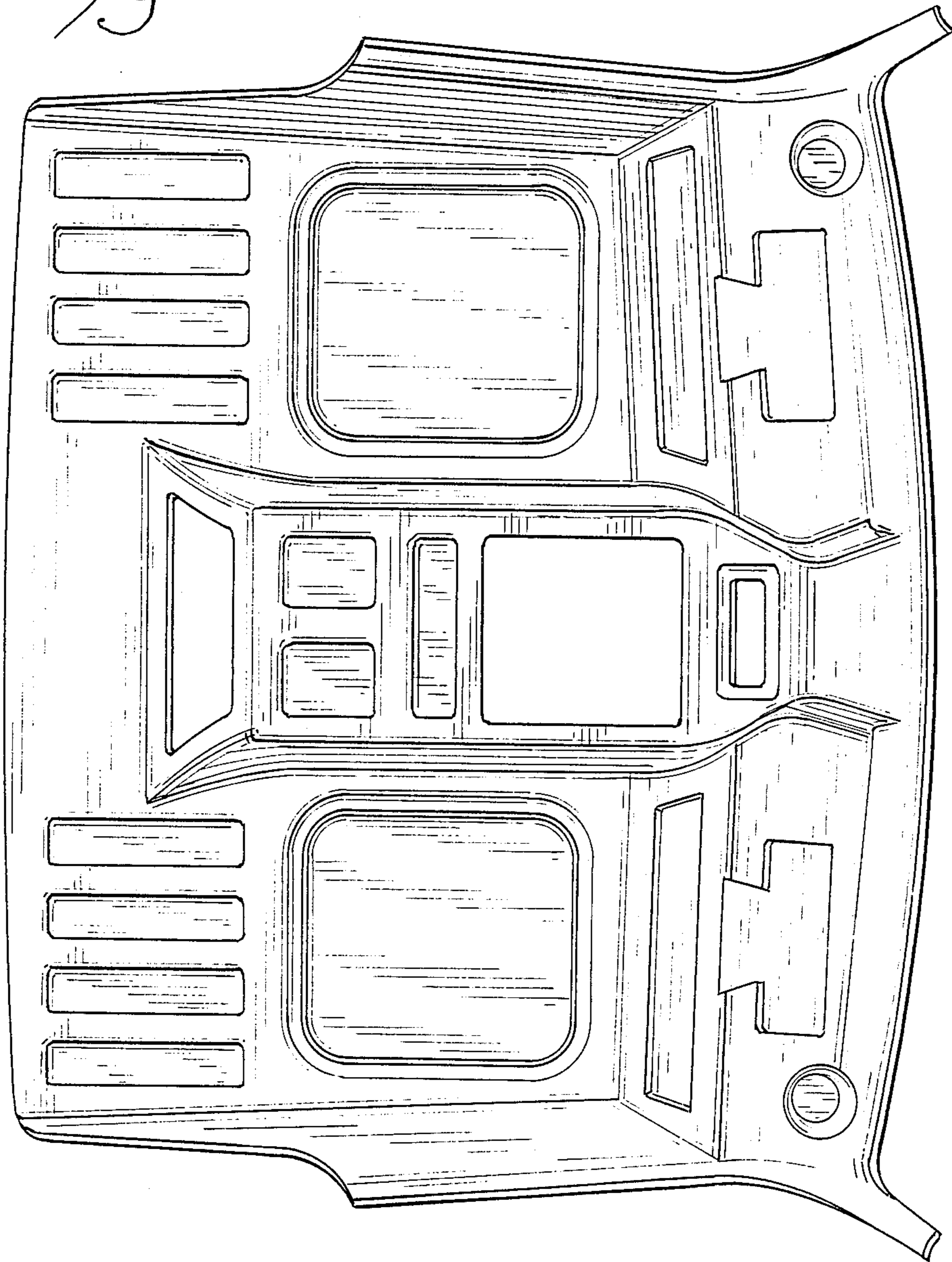


Fig. 2

Fig. 3.

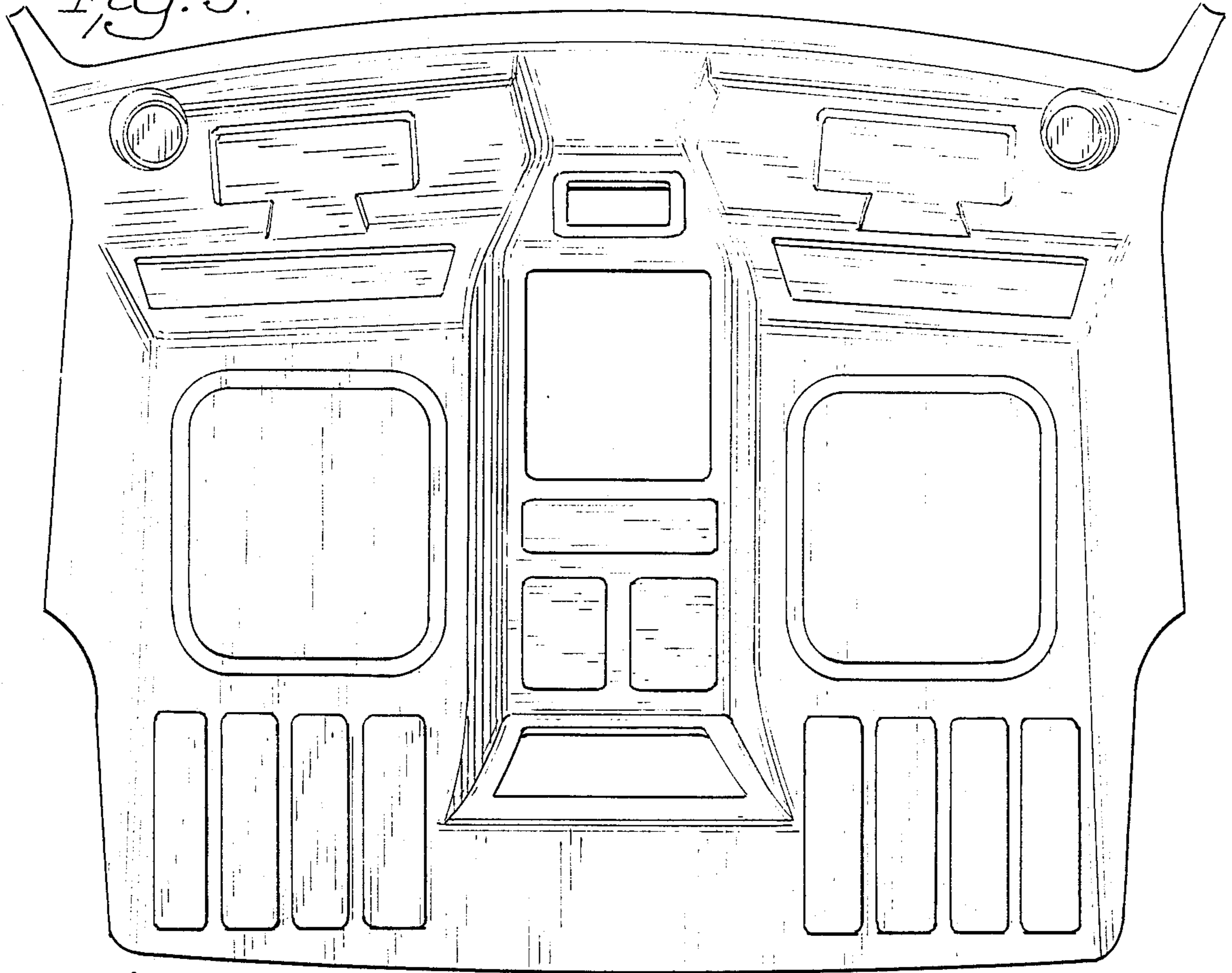


Fig. 4.

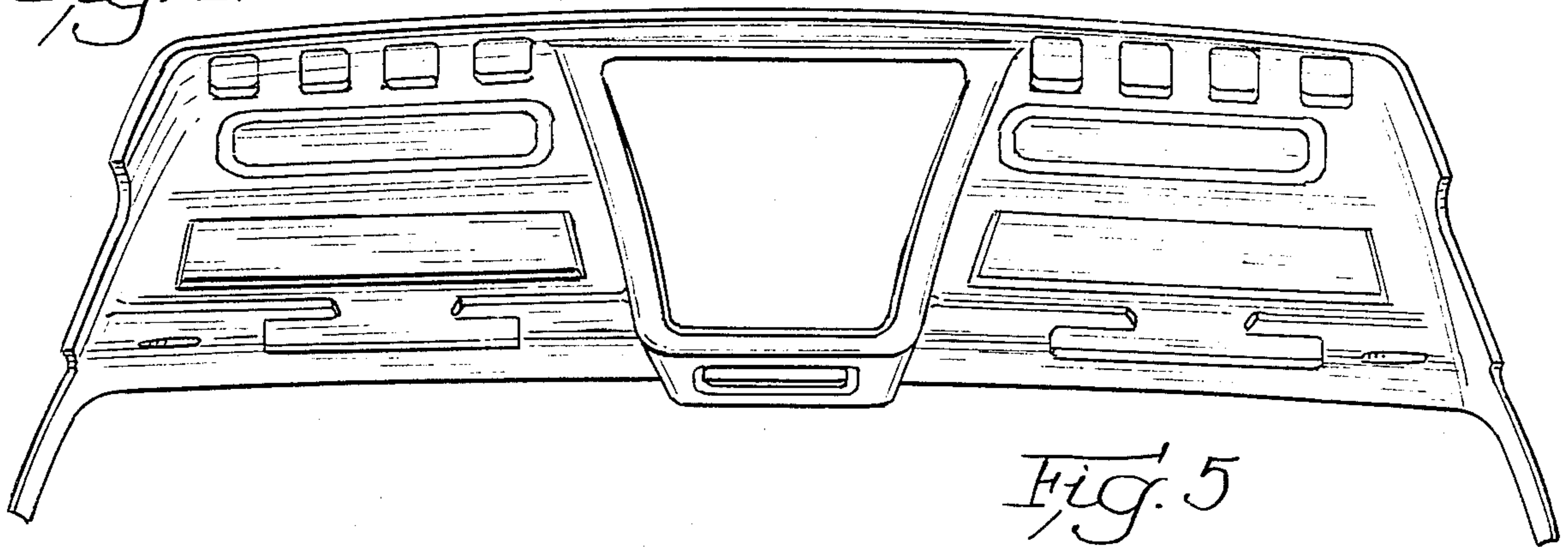


Fig. 5.

