

[54] VEHICLE FRONT DOOR PANEL

[75] Inventor: Rex Lim, Edwardsburg, Mich.

[73] Assignee: Paramount Plastics, Inc., Elkhart, Ind.

[**] Term: 14 Years

[21] Appl. No.: 845,394

[22] Filed: Mar. 20, 1986

[52] U.S. Cl. D12/195

[58] Field of Search D12/195; 296/37.13, 296/146, 148, 149, 153

[56] References Cited

FOREIGN PATENT DOCUMENTS

224819 12/1983 Japan 296/37.13

OTHER PUBLICATIONS

J. C. Whitney catalog No. 454D, ©1985, p. 55, Door Panel, lower right center of page.

Primary Examiner—James M. Gandy

Attorney, Agent, or Firm—Thomas J. Dodd; James D. Hall

[57] CLAIM

The ornamental design for a vehicle front door panel, as shown and described.

DESCRIPTION

FIG. 1 is a perspective view of a vehicle front door panel showing my new design;

FIG. 2 is a front elevation view thereof;

FIG. 3 is a right side elevation view thereof;

FIG. 4 is a left side elevation view thereof;

FIG. 5 is a top plan view thereof; and

FIG. 6 is a bottom plan view thereof.

FIG. 7 is a perspective view of a second embodiment of a vehicle front door panel showing my new design;

FIG. 8 is a front elevation view of FIG. 7;

FIG. 9 is a right side elevation view of FIG. 7;

FIG. 10 is a left side elevation view of FIG. 7;

FIG. 11 is a top plan view of FIG. 7; and

FIG. 12 is a bottom plan view of FIG. 7.

The rear of the panel is substantially unornamented.

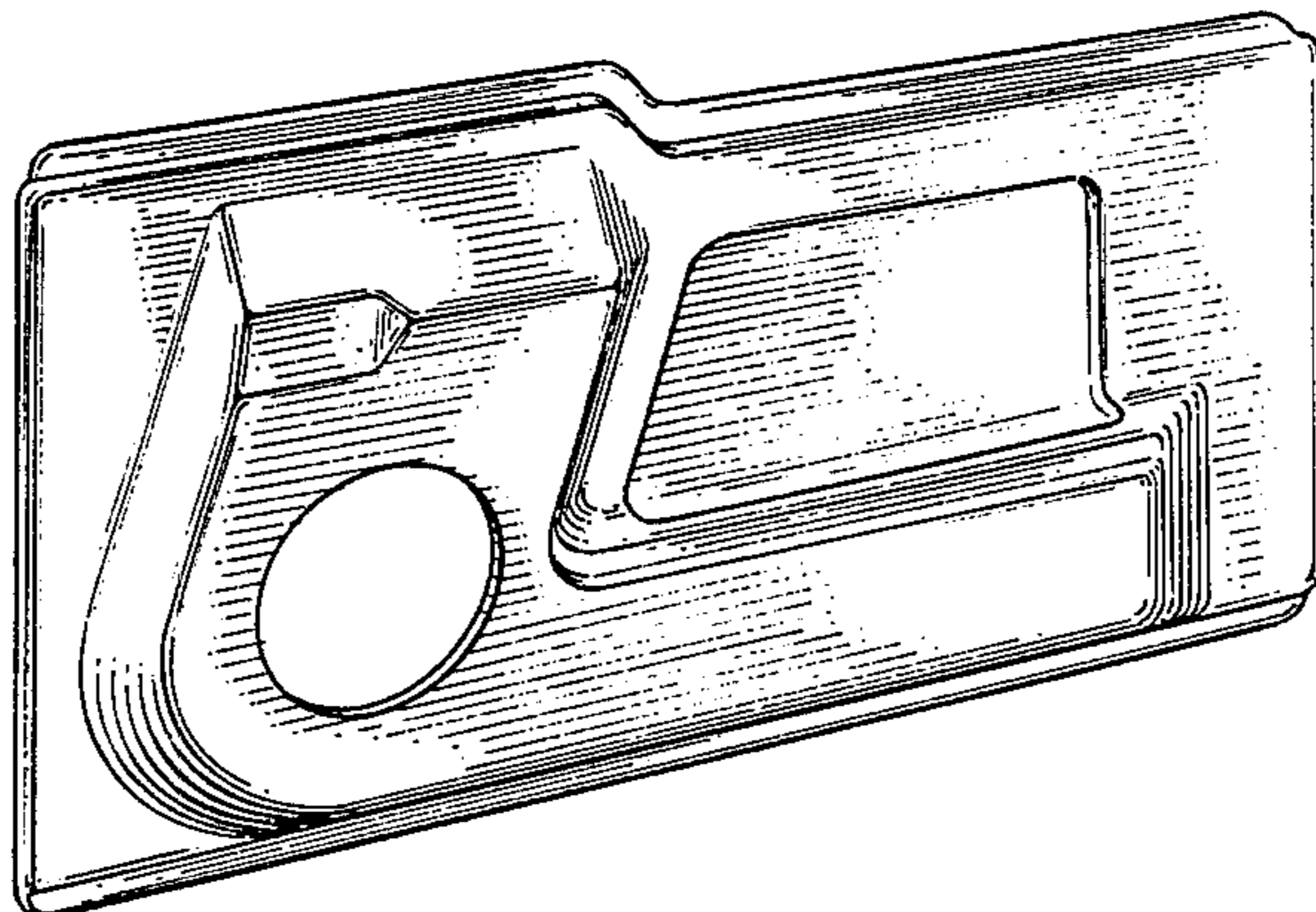


Fig. 1

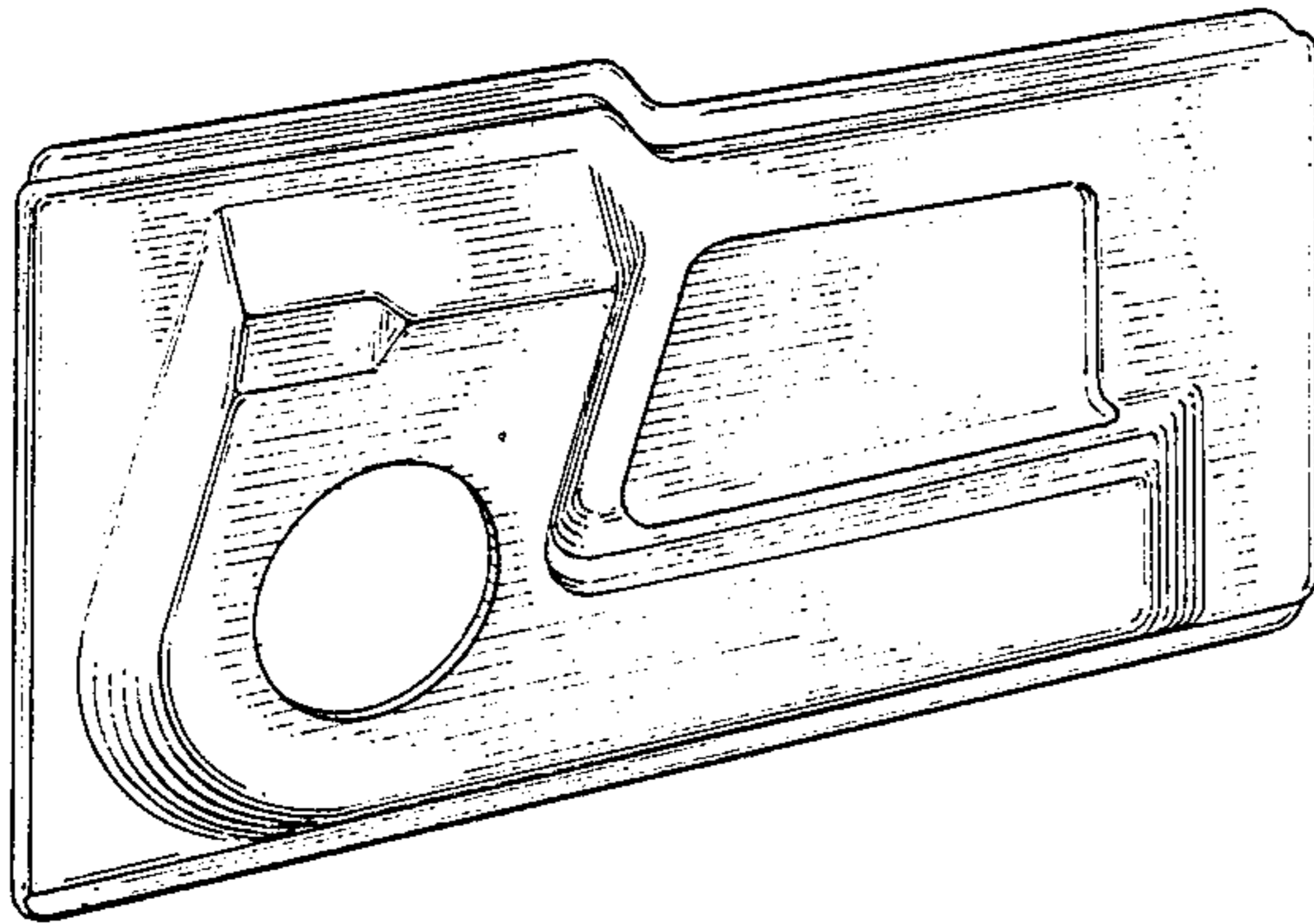


Fig. 2

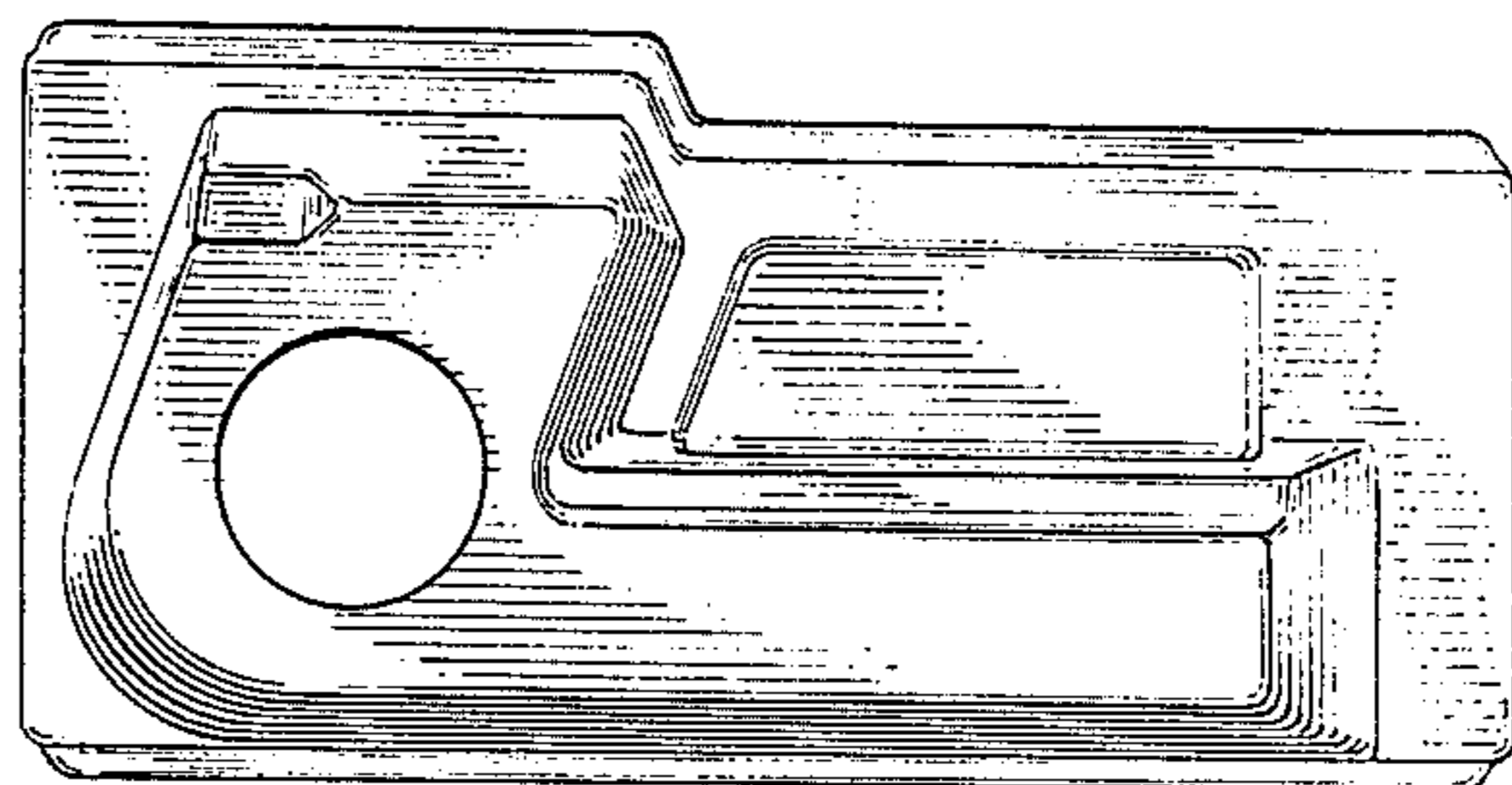


Fig. 3 Fig. 4

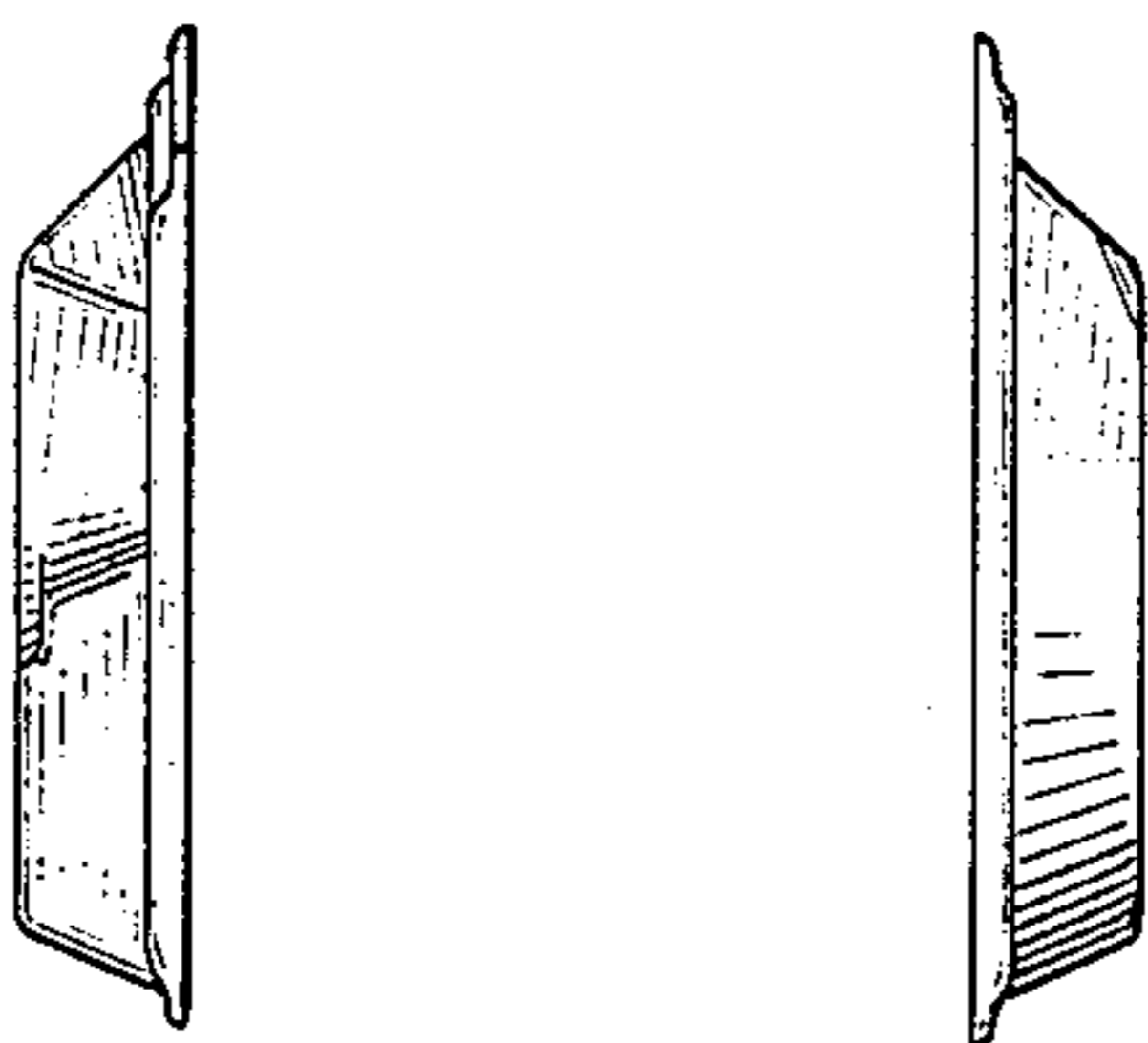


Fig. 5

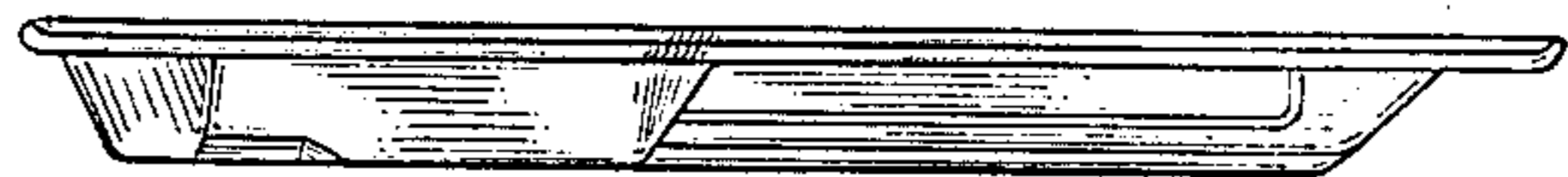


Fig. 6

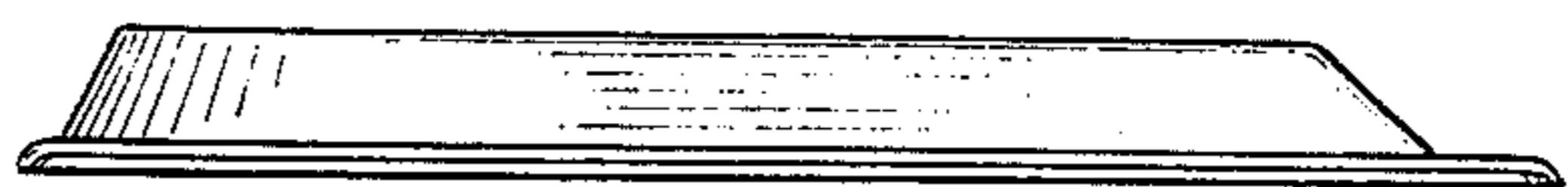


Fig. 7

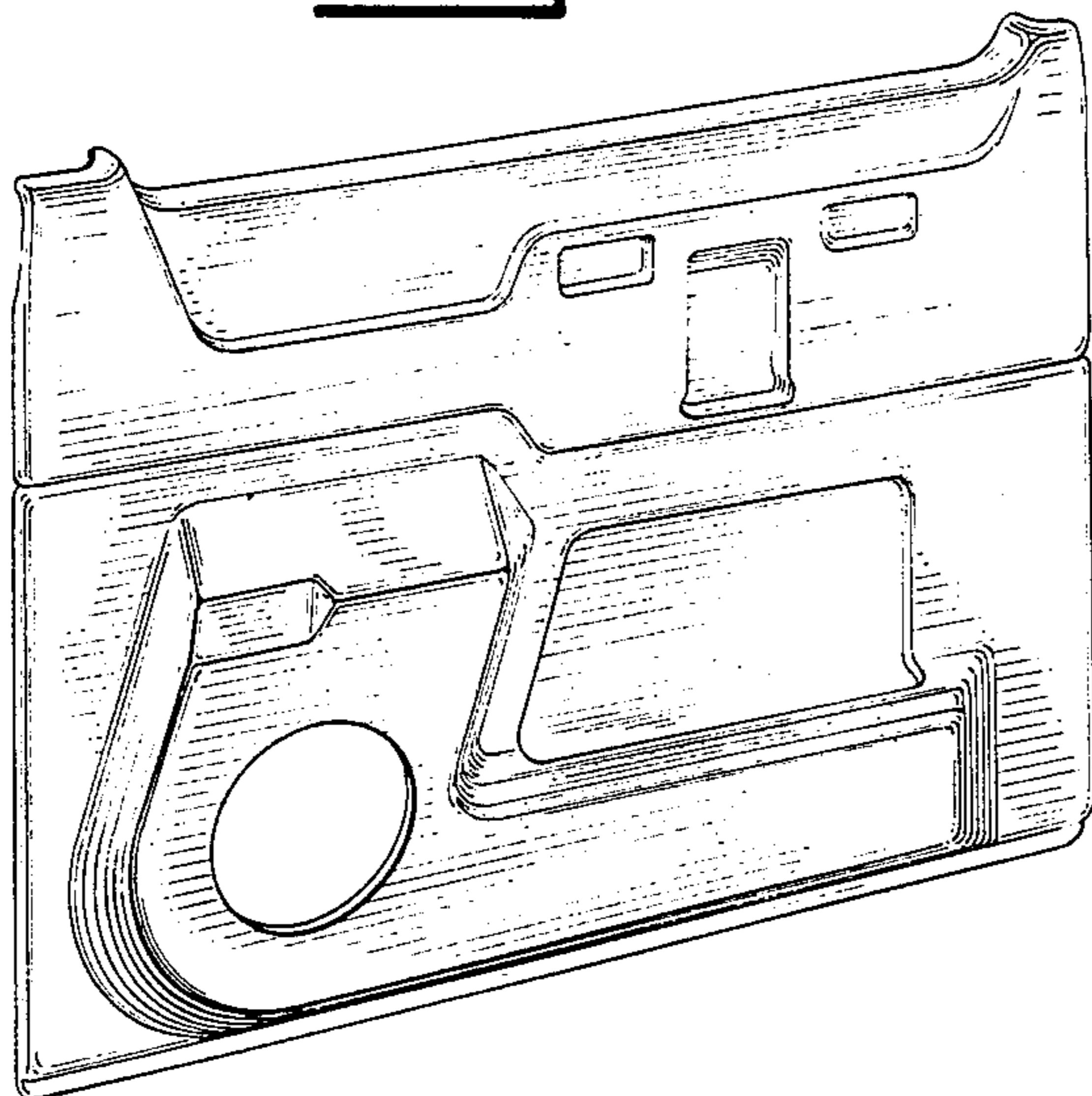


Fig. 8

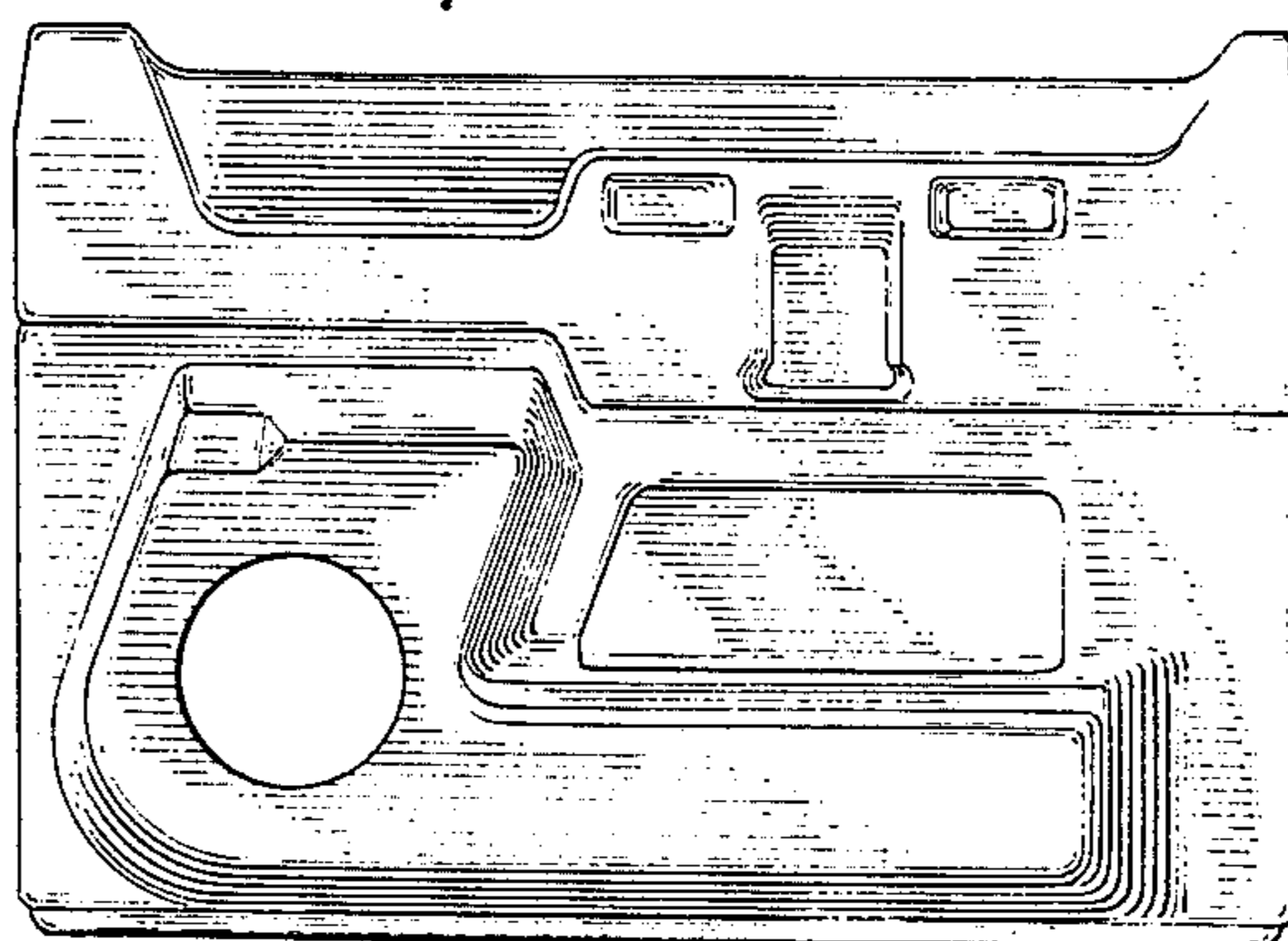


Fig. 9 Fig. 10

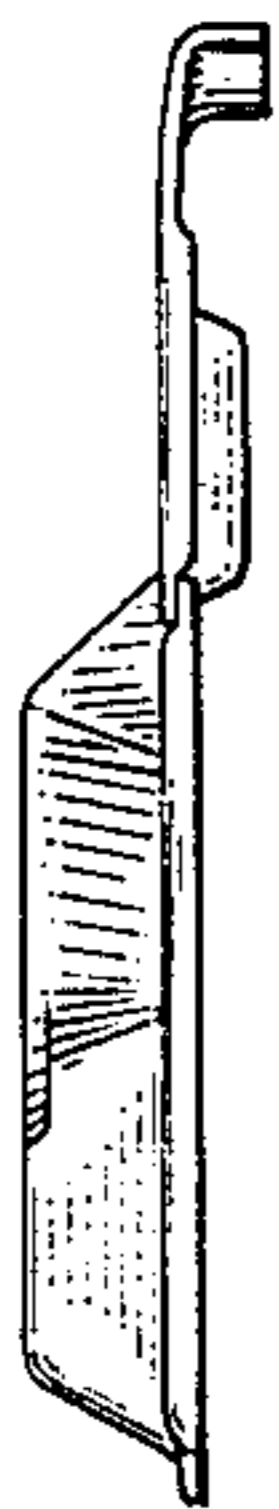


Fig. 11

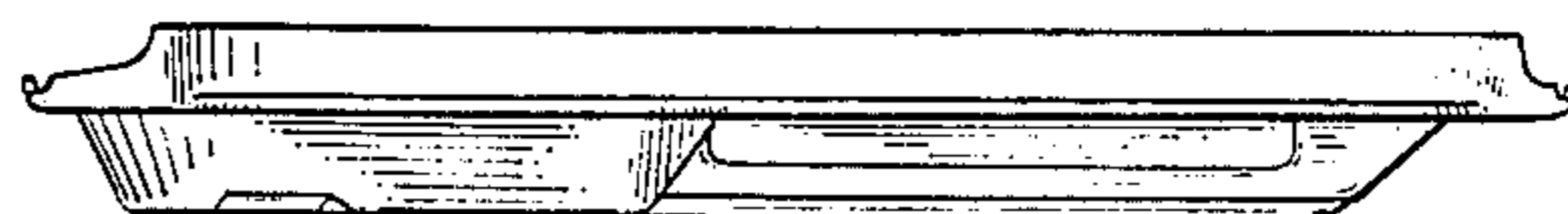


Fig. 12

