

[54] GUN MOUNTED TURKEY CALL

[76] Inventor: Steven A. Morocco, R.D. #1, Box 212A, Somerset, Pa. 15501

[**] Term: 14 Years

[21] Appl. No.: 804,842

[22] Filed: Dec. 5, 1985

[52] U.S. Cl. D10/119; D22/108

[58] Field of Search D10/119, 120; 446/207, 446/209; D22/199, 108; 43/1, 3; 42/106

[56] References Cited

U.S. PATENT DOCUMENTS

- D. 231,927 6/1974 Shoemaker D10/119
- 3,419,996 1/1969 Johnson, Jr. D10/119 X

Primary Examiner—A. Hugo Word
Attorney, Agent, or Firm—Jon M. Lewis

[57] CLAIM

The ornamental design for a gun mounted turkey call, as shown and described.

DESCRIPTION

FIG. 1 is a left side perspective view of a gun mounted turkey call showing my new design;

FIG. 2 is a perspective view taken from the right side thereof;

FIG. 3 is a bottom plan view thereof;

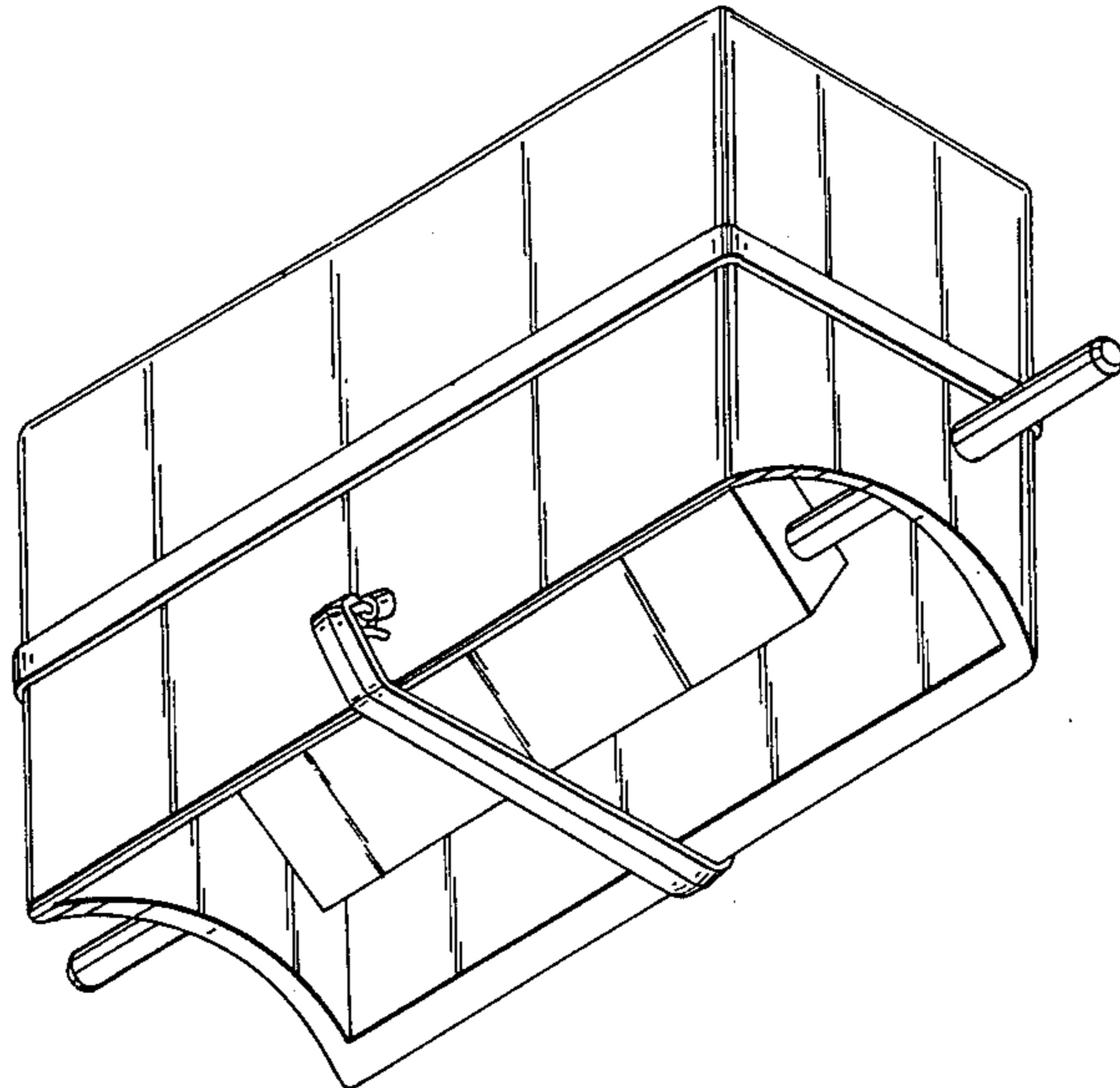
FIG. 4 is a left side elevational view thereof;

FIG. 5 is a right side elevational view thereof;

FIG. 6 is a front elevational view thereof;

FIG. 7 is a back elevational view thereof; and

FIG. 8 is a top plan view thereof.



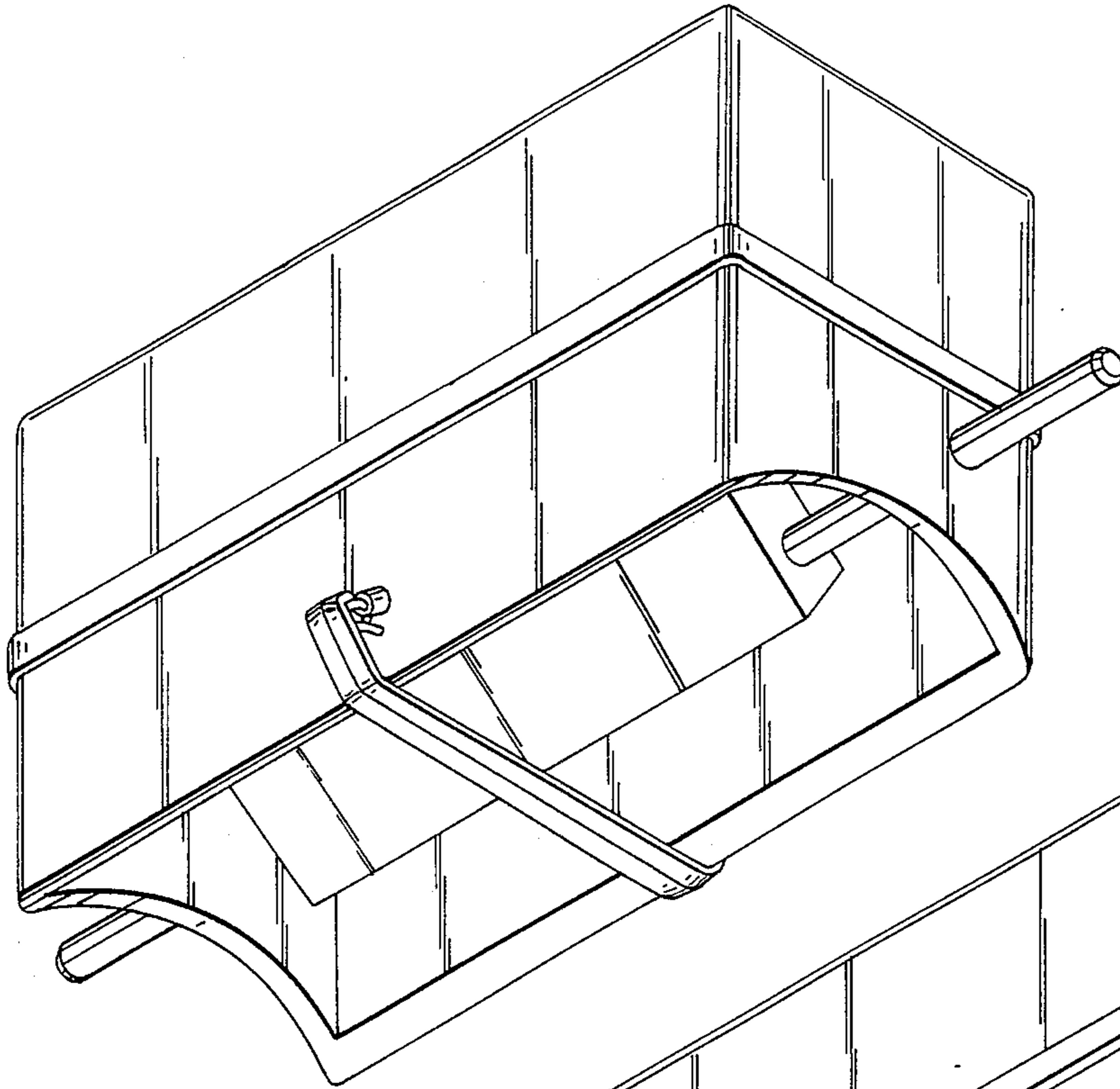


Fig. 1

Fig. 2

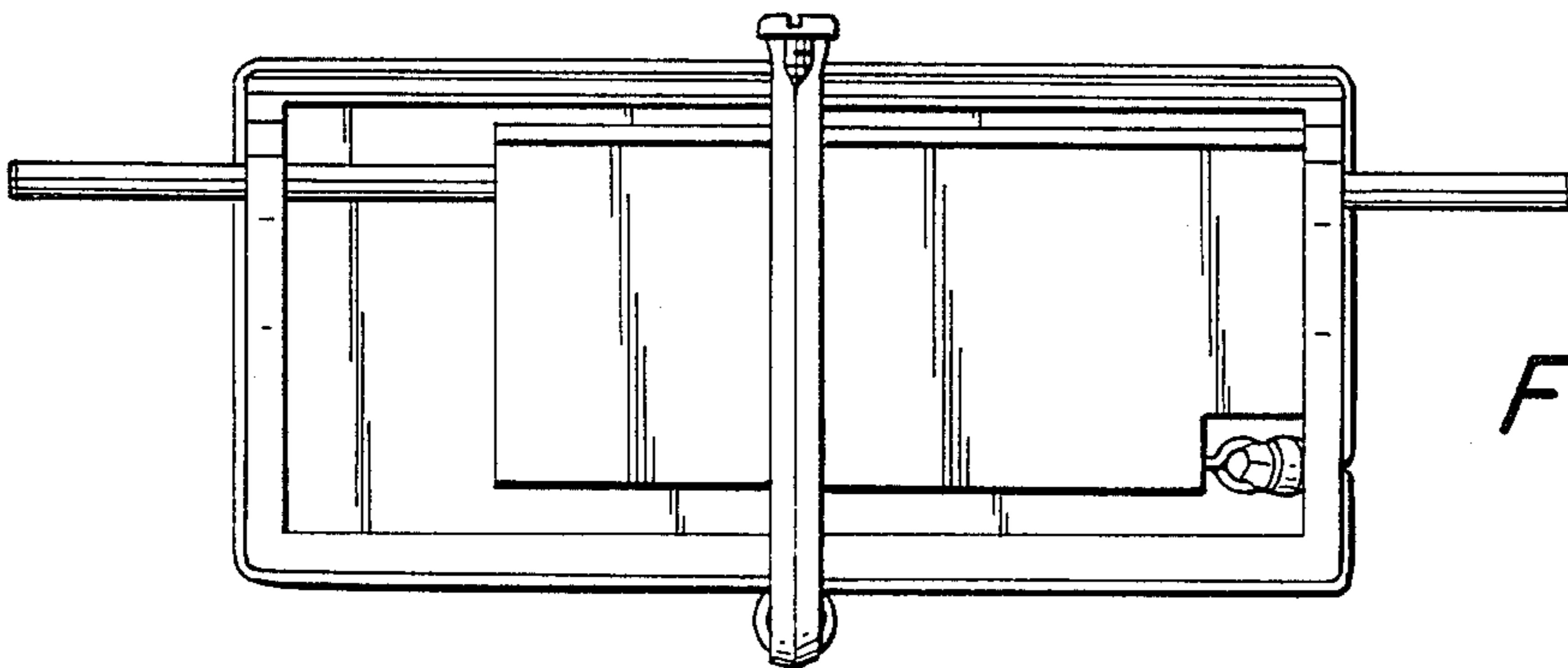
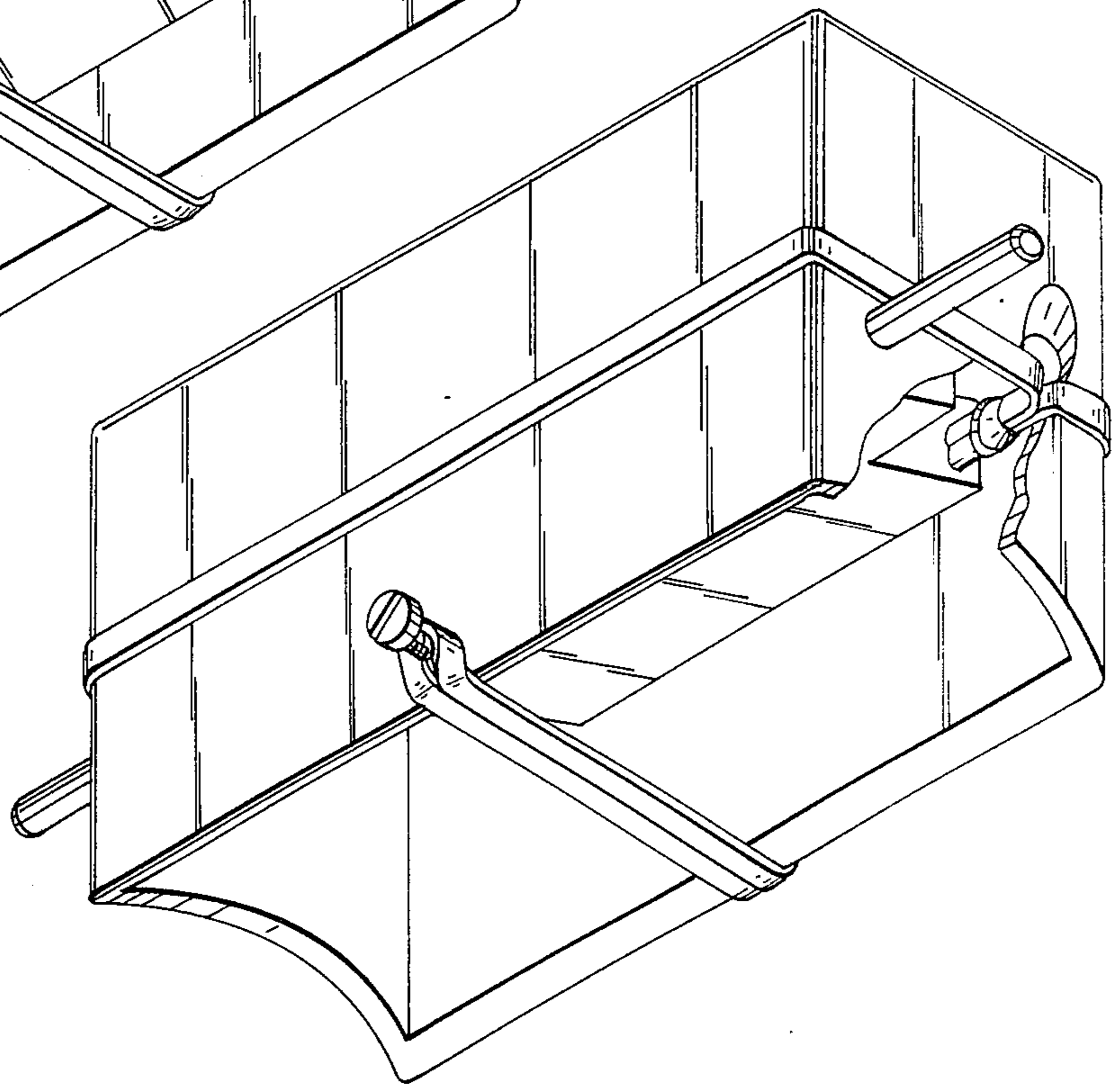


Fig. 3

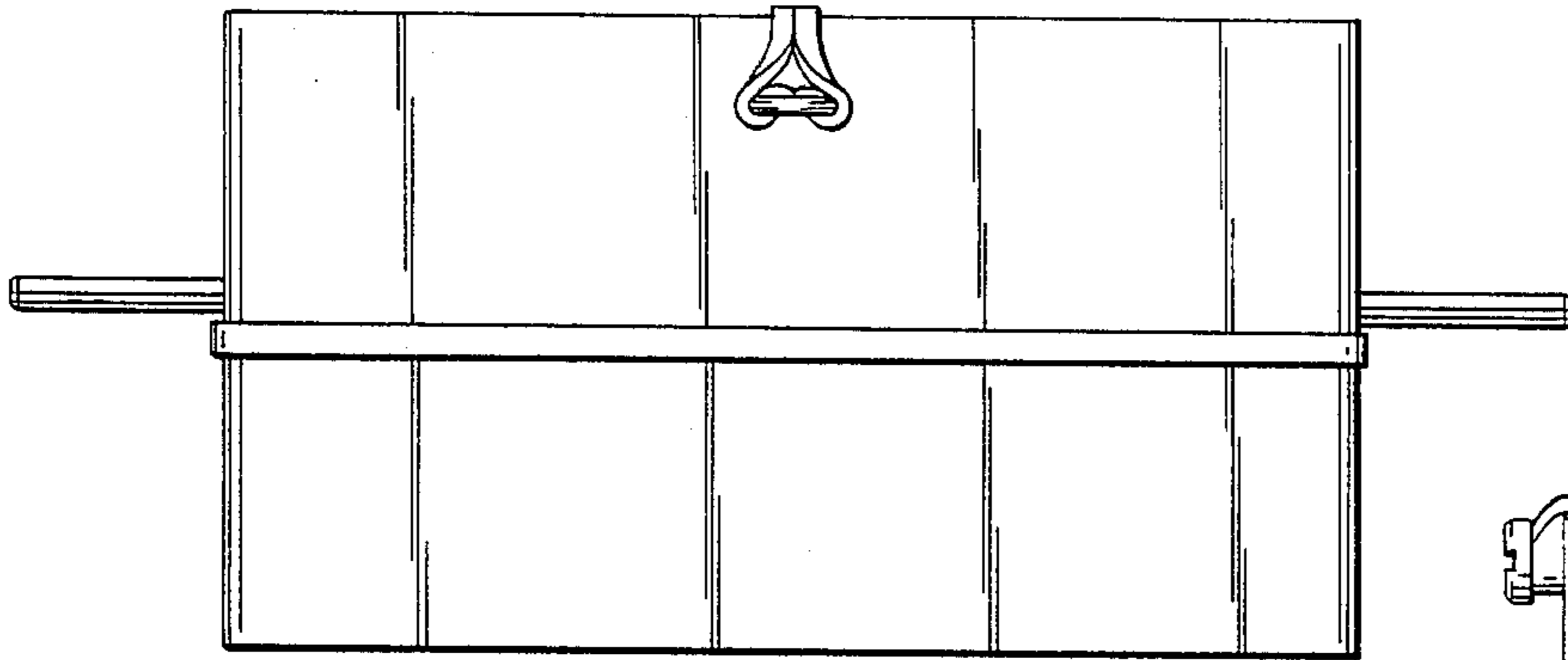


Fig. 4

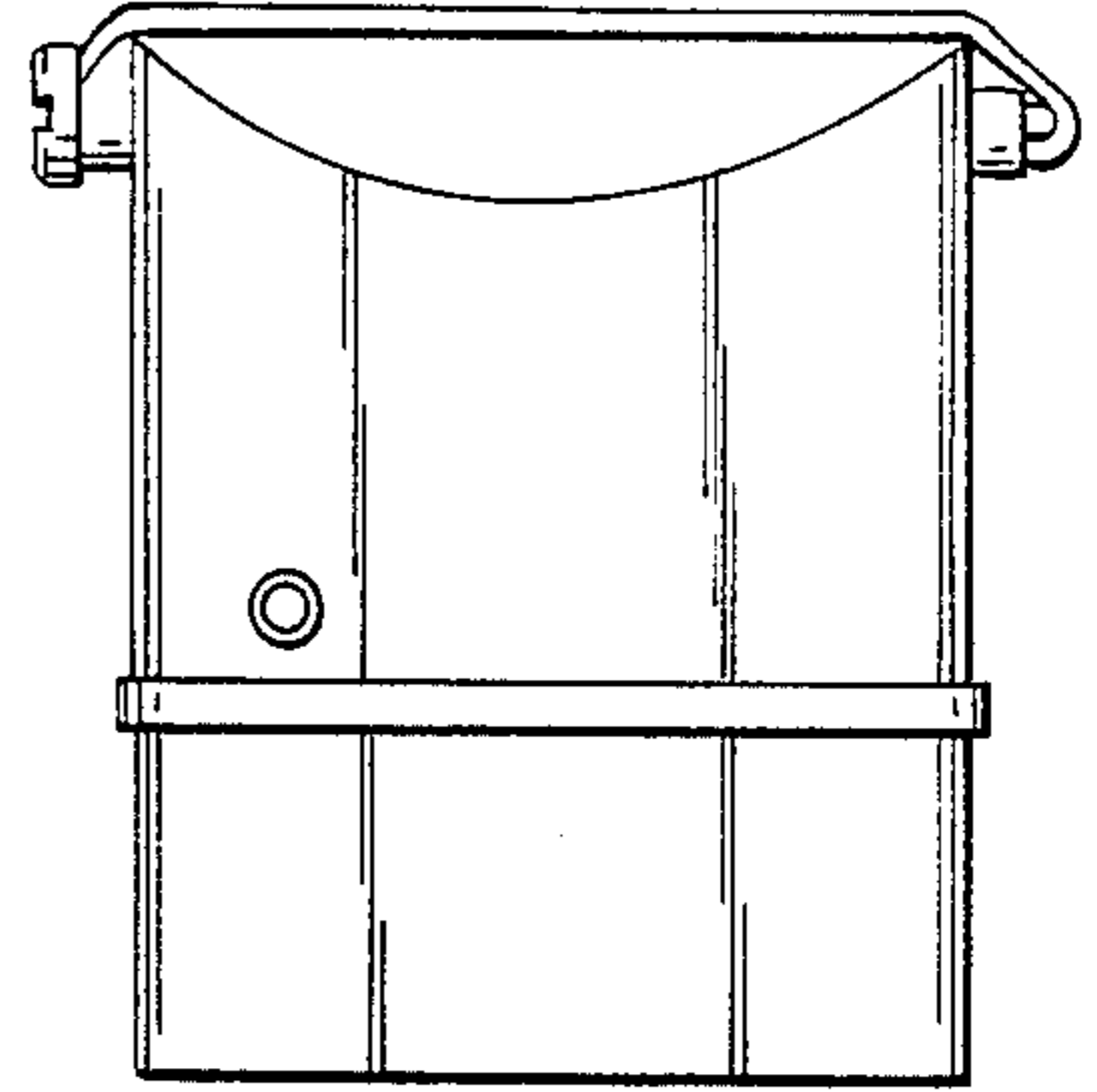


Fig. 6

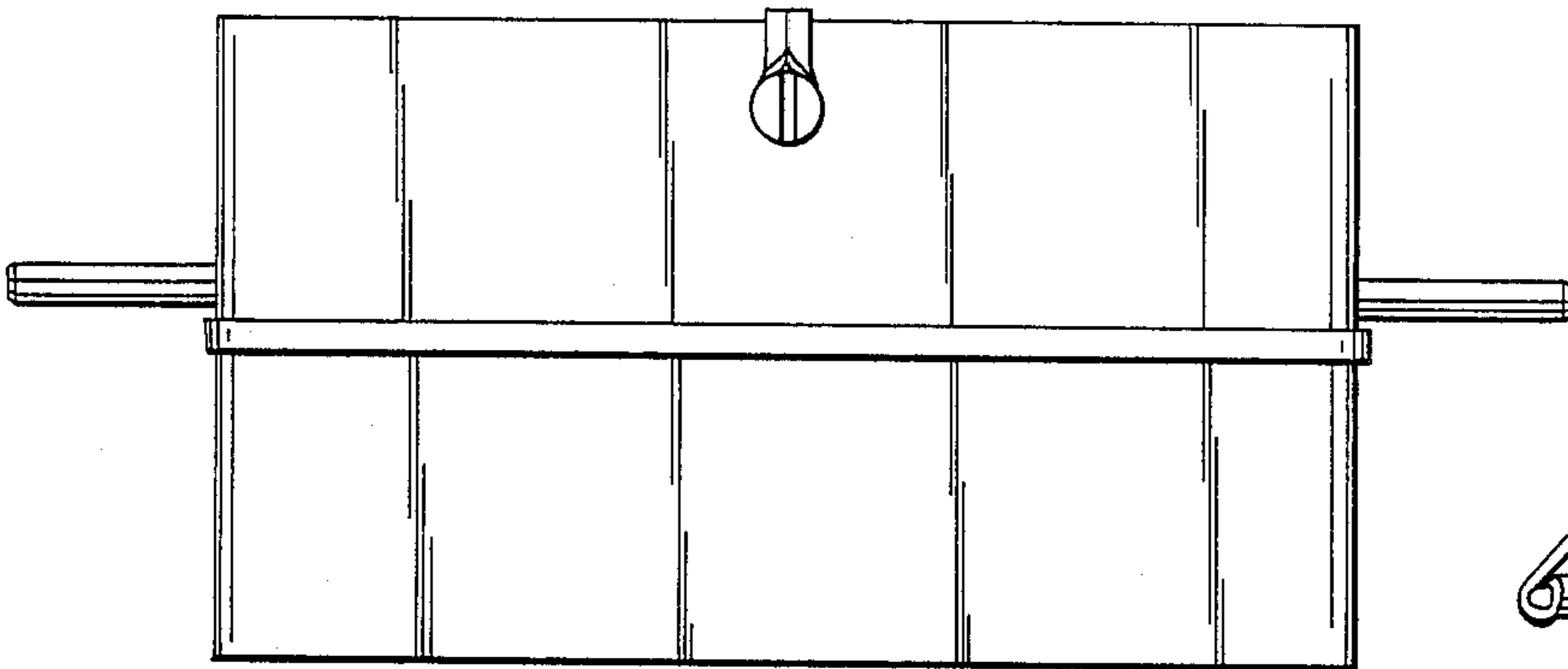


Fig. 5

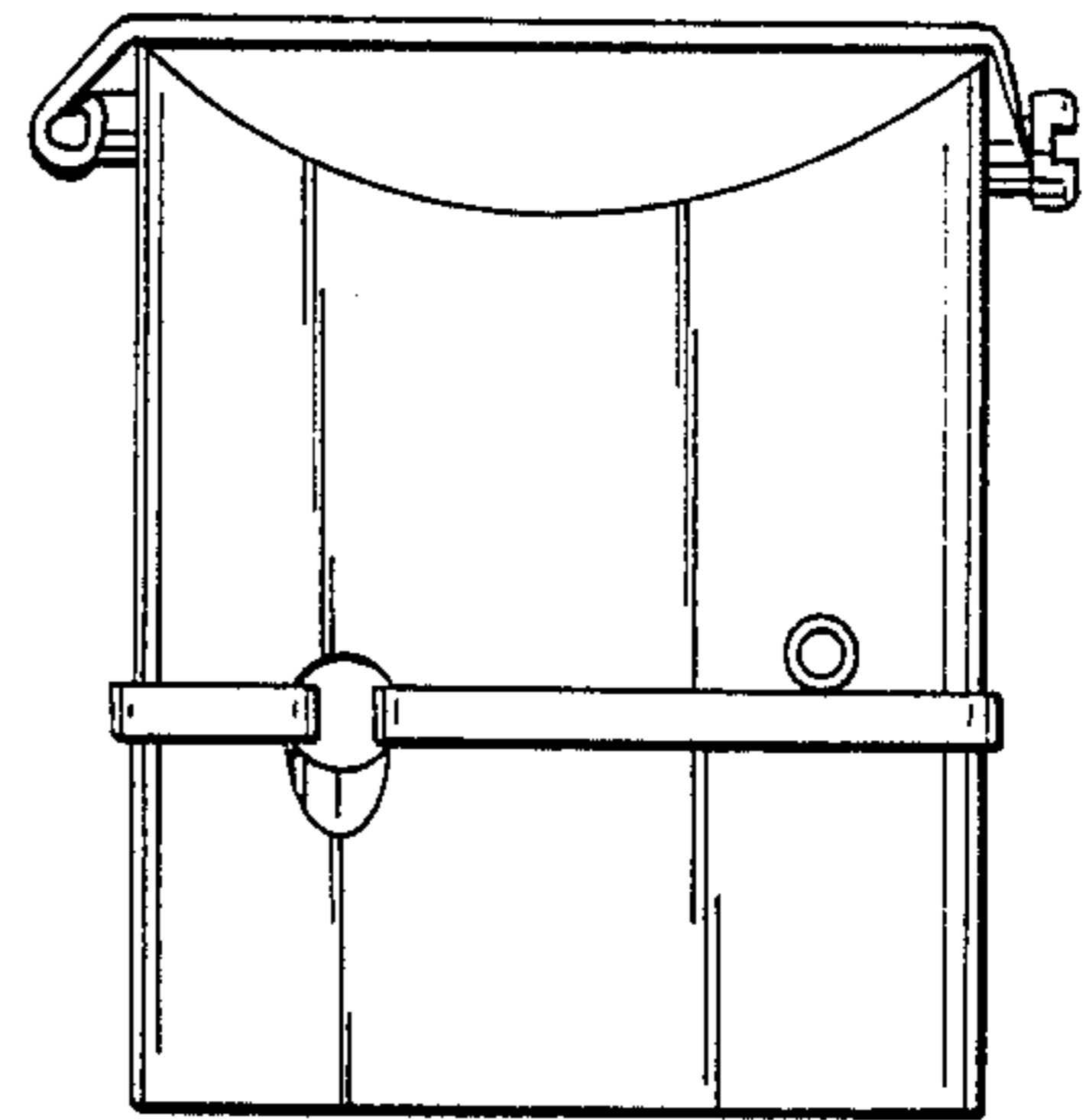


Fig. 7

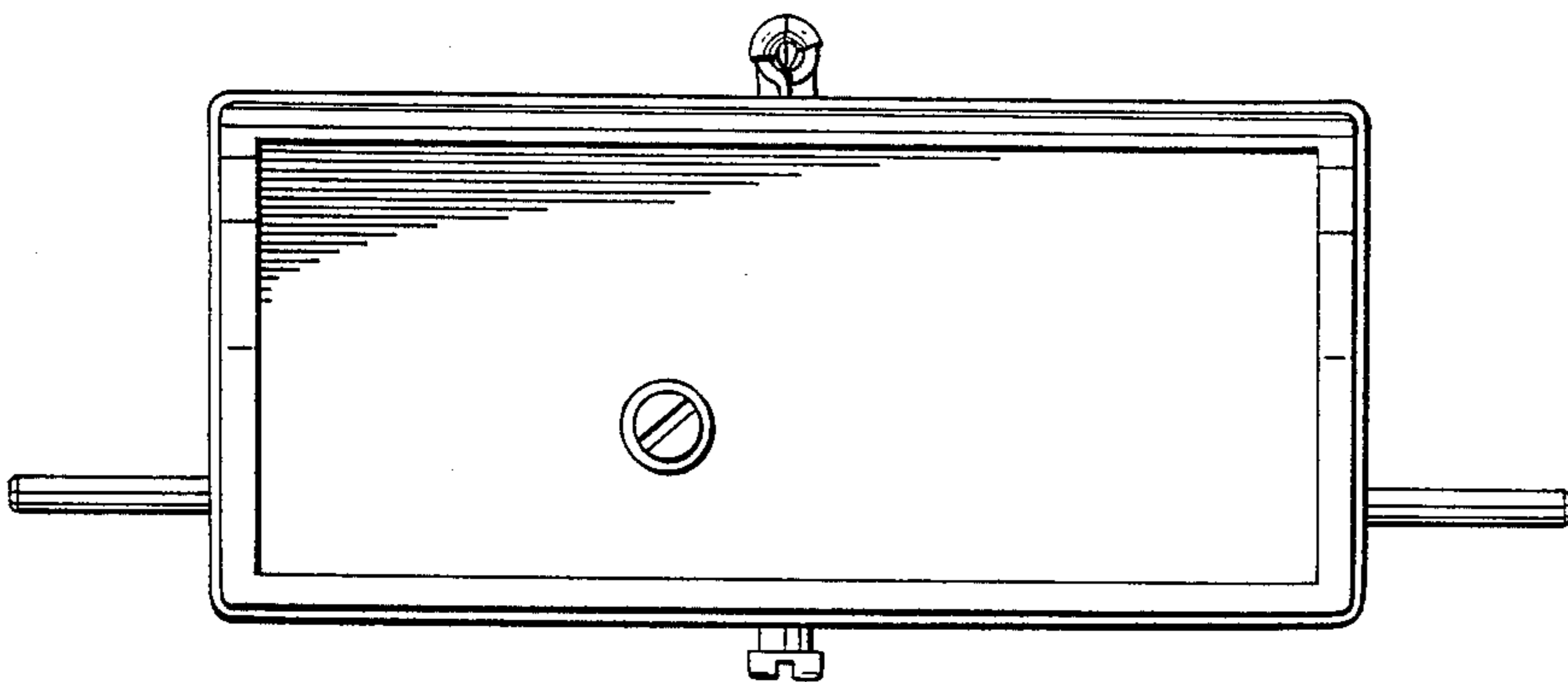


Fig. 8