

[54] ELECTRO-MECHANICAL EQUIPMENT HOUSING FOR SCALES OR THE LIKE

[75] Inventors: Richard N. Svenson, Livonia; Thomas S. Hicks, Westland; Thomas N. Good, Lincoln Park, all of Mich.

[73] Assignee: Unisys Corporation, Blue Bell, Pa.

[\*\*] Term: 14 Years

[21] Appl. No.: 804,502

[22] Filed: Dec. 4, 1985

[52] U.S. Cl. .... D10/94; D10/91

[58] Field of Search ..... D10/87-89, D10/91, 94; 177/2; 361/392

[56] References Cited

U.S. PATENT DOCUMENTS

D. 196,320	9/1963	Hohmann	.....	D10/88
D. 199,693	12/1964	Hohmann	.....	D10/88
D. 210,044	1/1968	Smith	.....	D10/88
D. 240,804	8/1976	Rock	.....	D10/91

D. 268,334	3/1983	Harbers	.....	D10/91
2,858,124	10/1958	Allen	.....	177/144 X
4,582,151	4/1986	Mairot	.....	177/244 X
4,669,029	5/1987	Svenson	.....	177/244 X

Primary Examiner—Nelson C. Holtje  
Attorney, Agent, or Firm—Francis A. Varallo; Mark T. Starr

[57] CLAIM

The ornamental design for an electro-mechanical equipment housing for scales or the like, as shown and described.

DESCRIPTION

FIG. 1 is a top and right front perspective view of an electro-mechanical equipment housing for scales or the like showing our new design, the broken-line showing of a counterstop being enviromental only and forms no part of the claimed design;  
FIG. 2 is a top and right rear perspective view thereof;  
FIG. 3 is a left side elevational view thereof;  
FIG. 4 is a bottom plan view thereof.

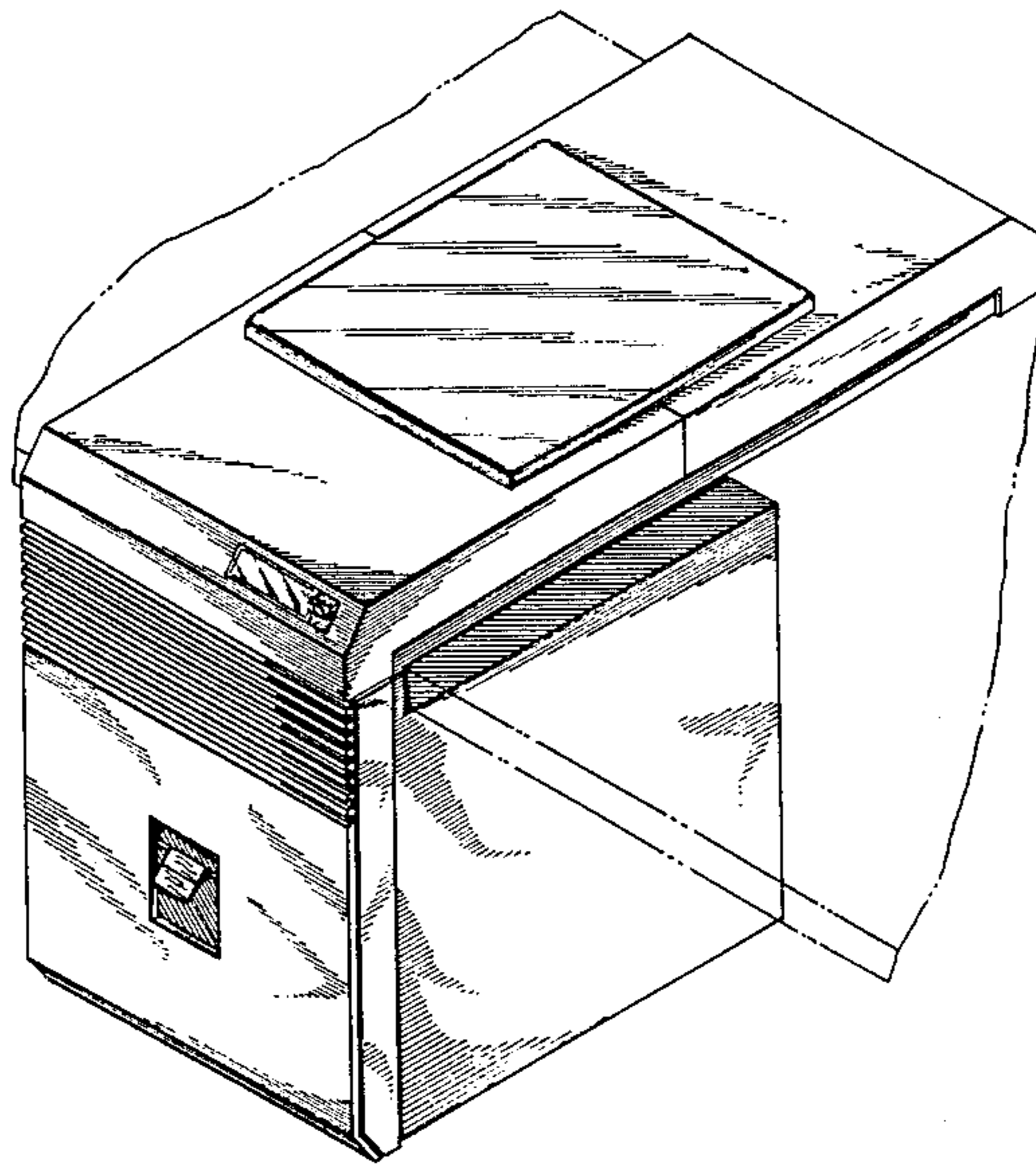


Fig. 1

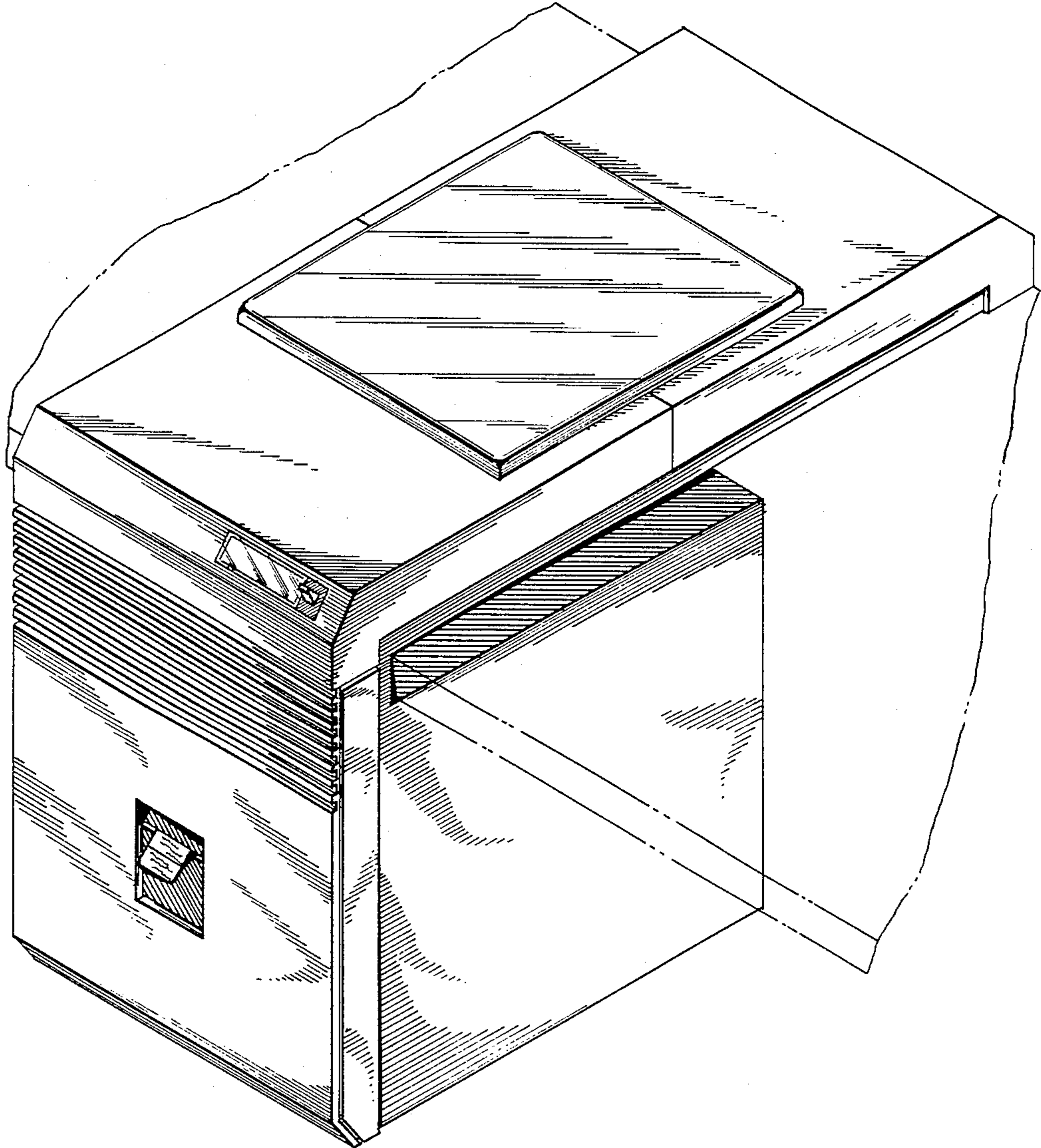


Fig. 2

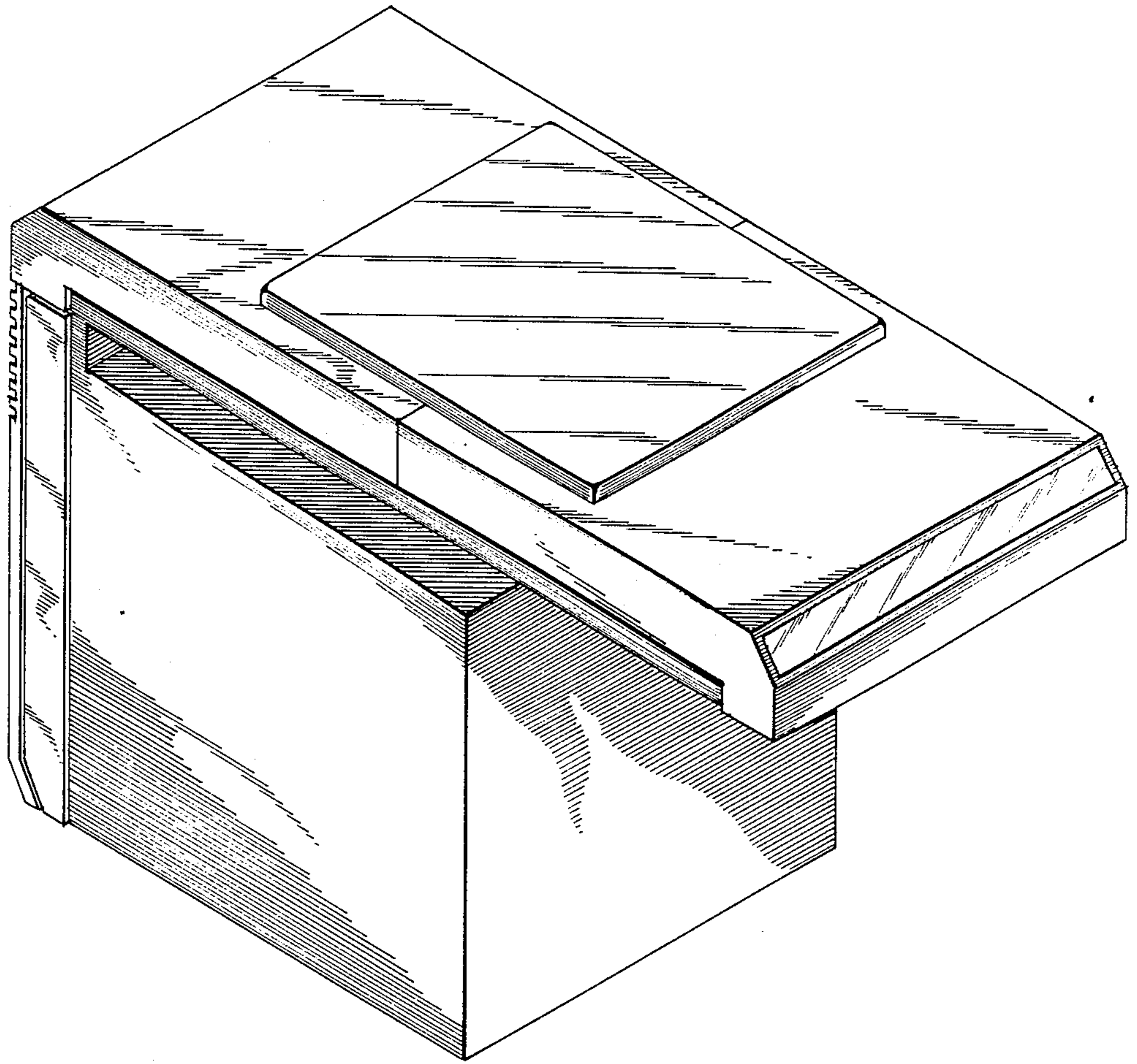


Fig. 3

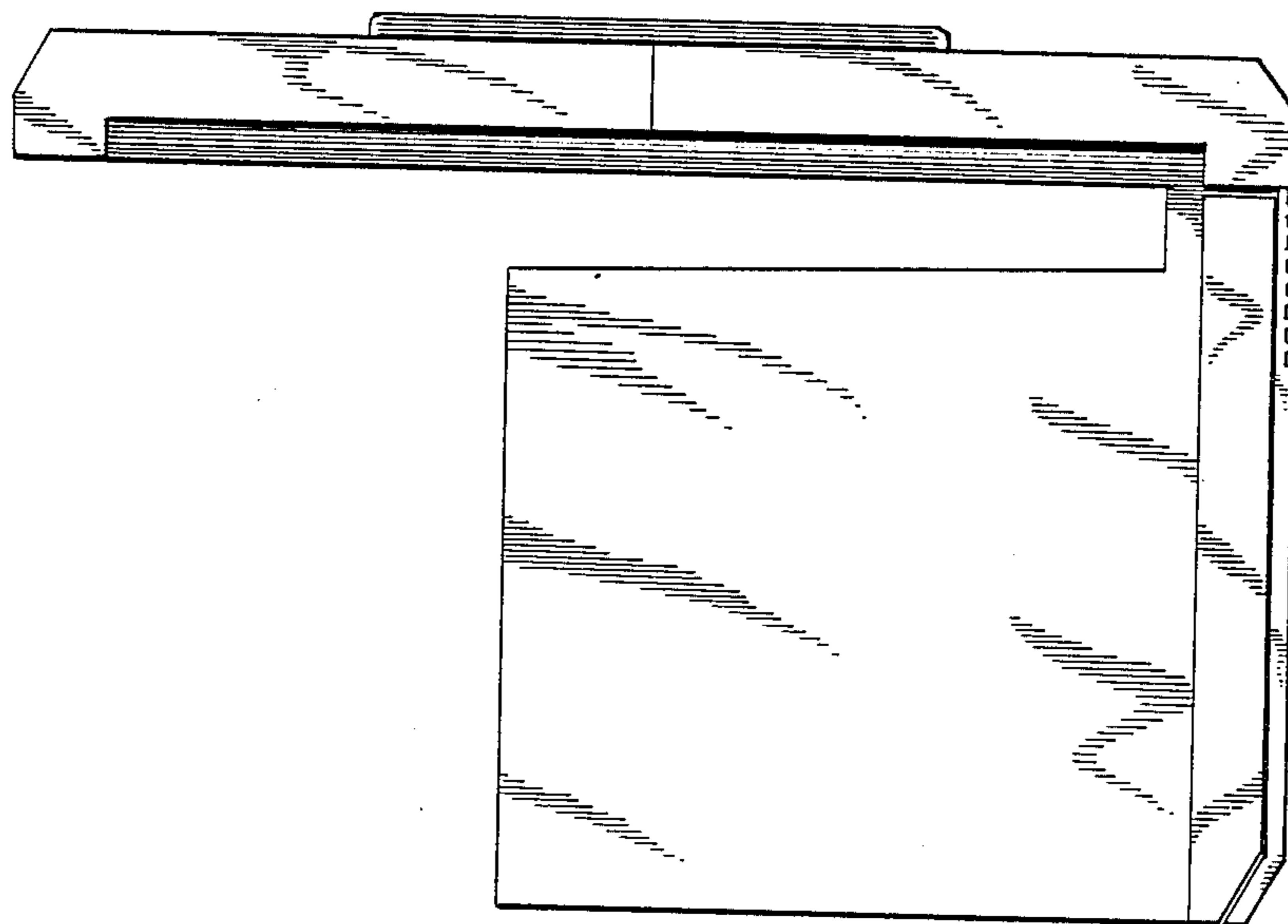


Fig. 4

