

# United States Patent [19]

Rakocy

[11] Patent Number: Des. 296,878

[45] Date of Patent: \*\* Jul. 26, 1988

[54] AUTOMATIC TIMER

[75] Inventor: William J. Rakocy, Madison, Conn.

[73] Assignee: North American Philips Corporation,  
New York, N.Y.

[\*\*] Term: 14 Years

[21] Appl. No.: 811,565

[22] Filed: Dec. 20, 1985

[52] U.S. Cl. .... D10/40

[58] Field of Search ..... D10/30, 40; 368/107,  
368/108; 307/141.4, 141

[56] **References Cited**

**U.S. PATENT DOCUMENTS**

D. 234,215 1/1975 Felsky ..... D10/40

D. 265,553 7/1982 Joss ..... D10/40  
D. 285,418 9/1986 Keichel ..... D10/40

*Primary Examiner*—Nelson C. Holtje  
*Attorney, Agent, or Firm*—Thomas A. Briody; Algy  
Tamoshunas; William J. Streeter

[57] **CLAIM**

The ornamental design for an automatic timer, as shown and described.

**DESCRIPTION**

FIG. 1 is a front elevational view of an automatic timer showing my new design;  
FIG. 2 is a left side elevational view thereof;  
FIG. 3 is a right side elevational view thereof;  
FIG. 4 is a top plan view thereof;  
FIG. 5 is a bottom plan view thereof; and  
FIG. 6 is a rear elevational view thereof.

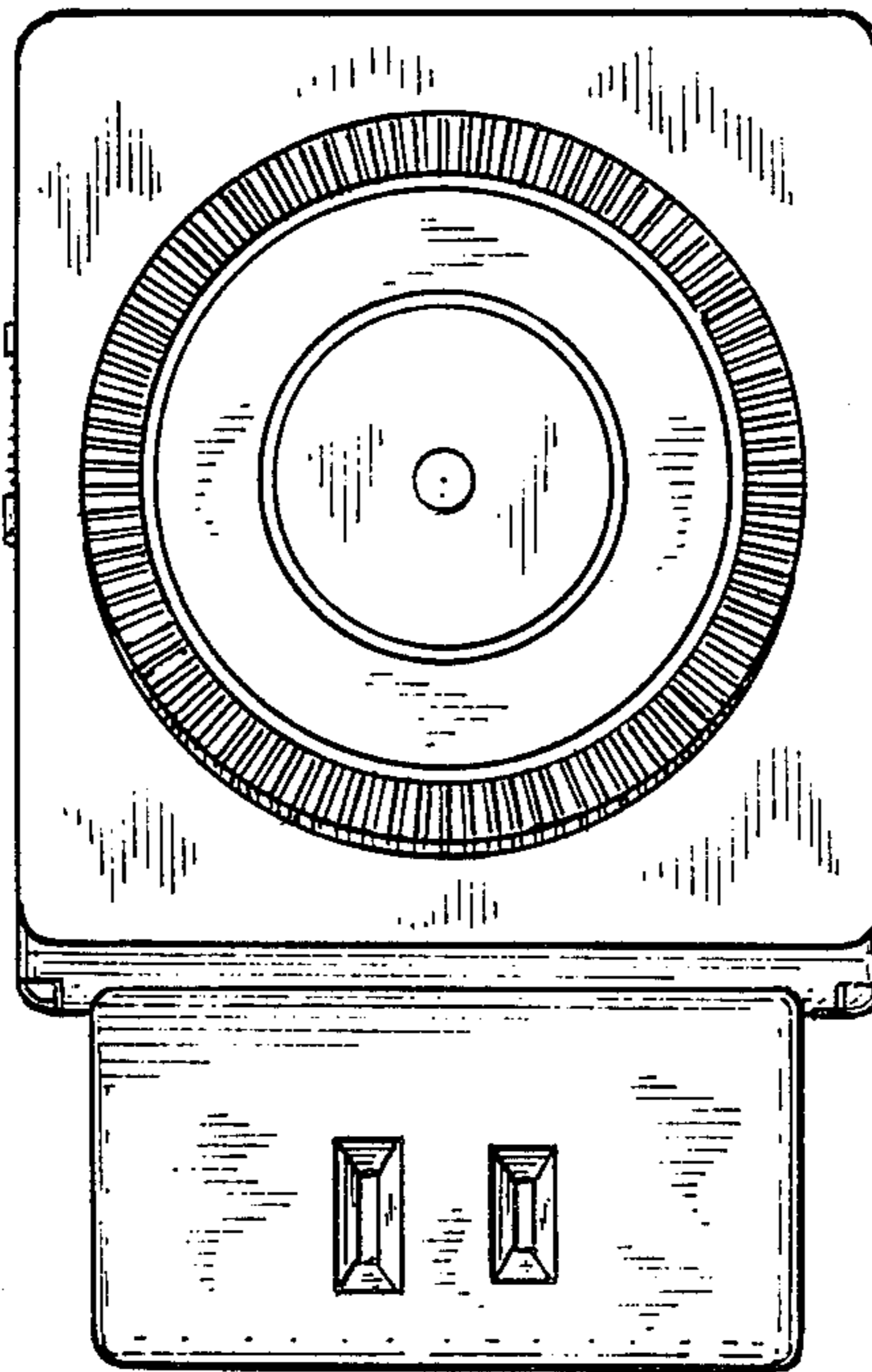


FIG. 1

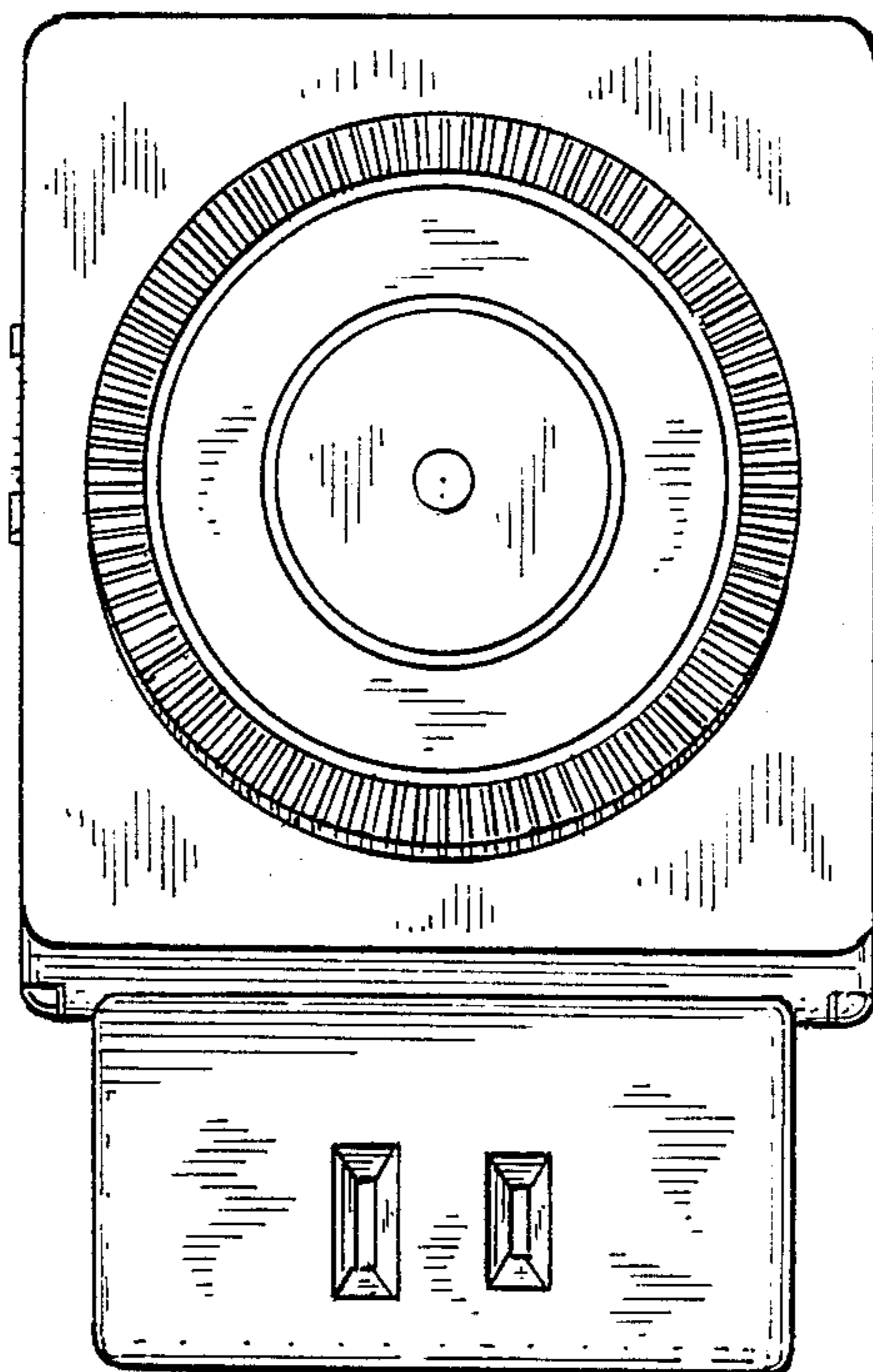


FIG. 2

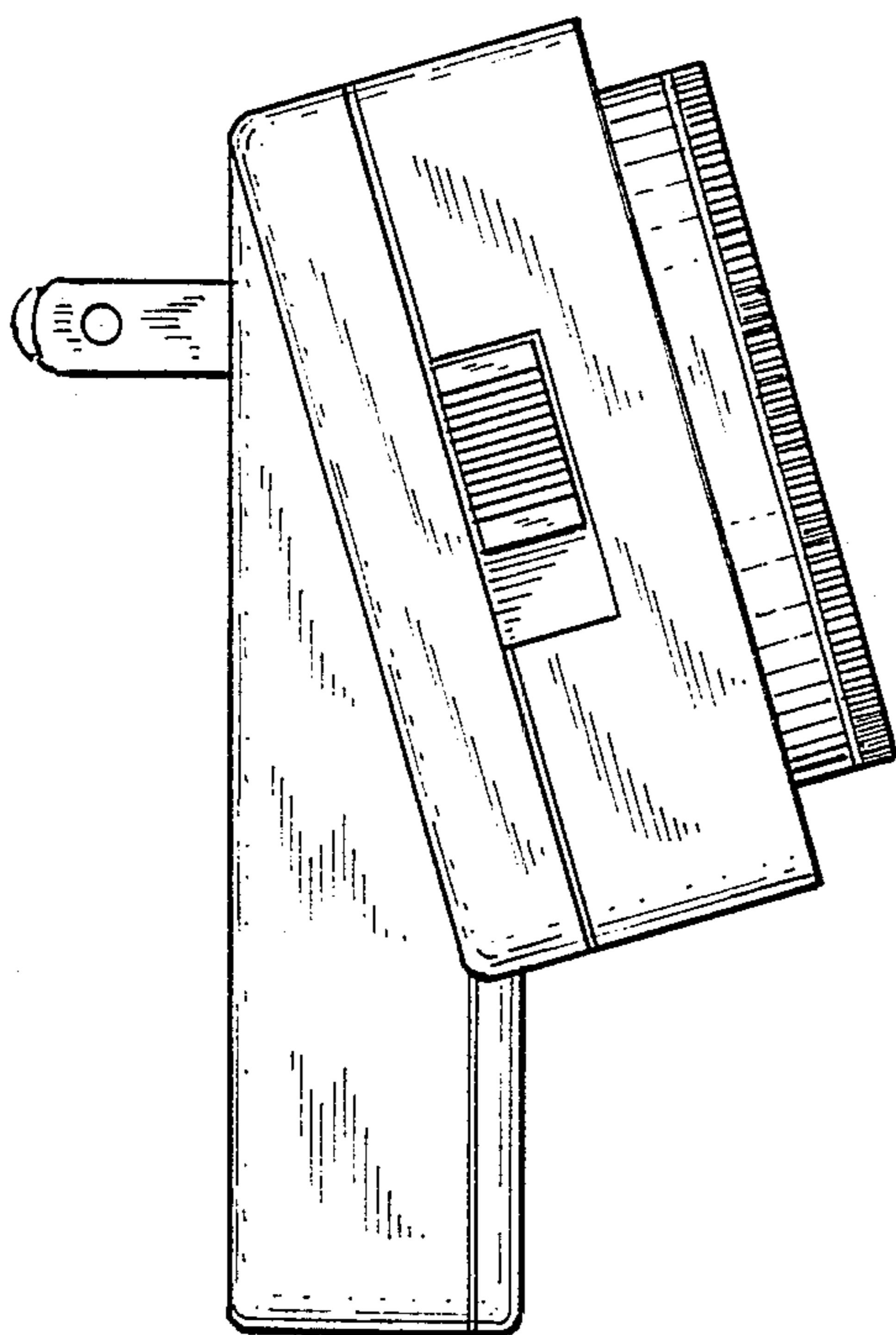


FIG. 3

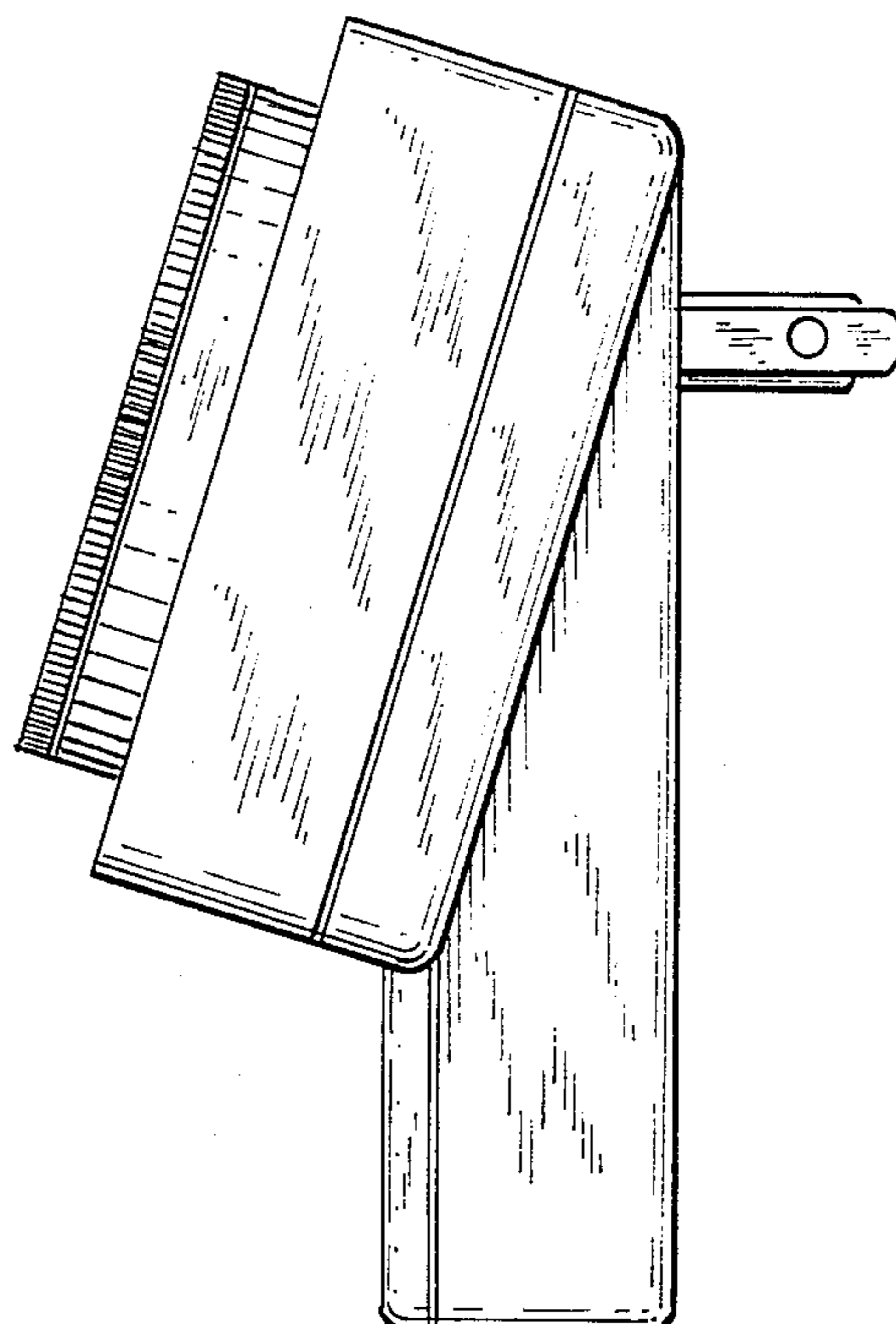


FIG. 4

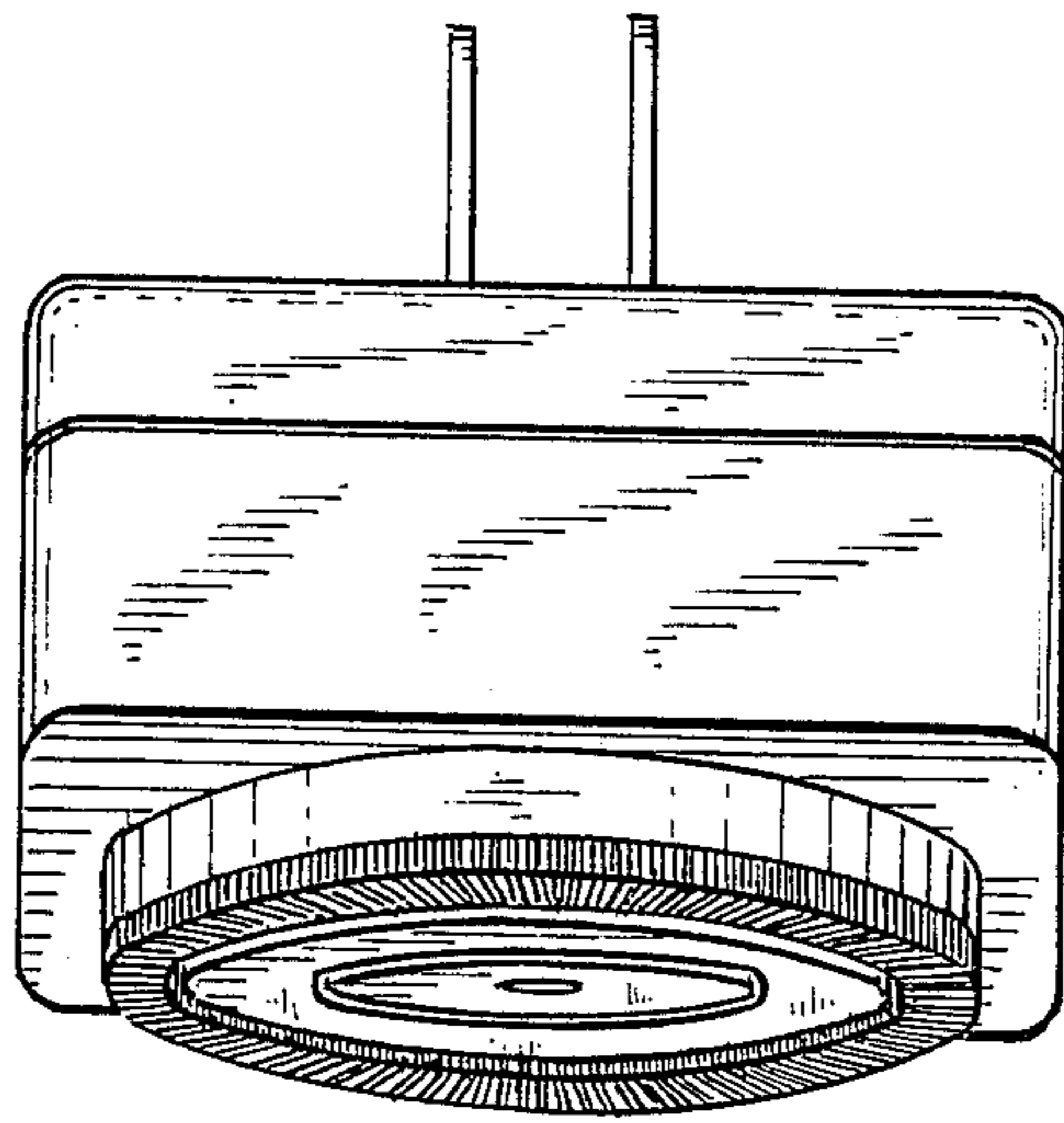


FIG. 5

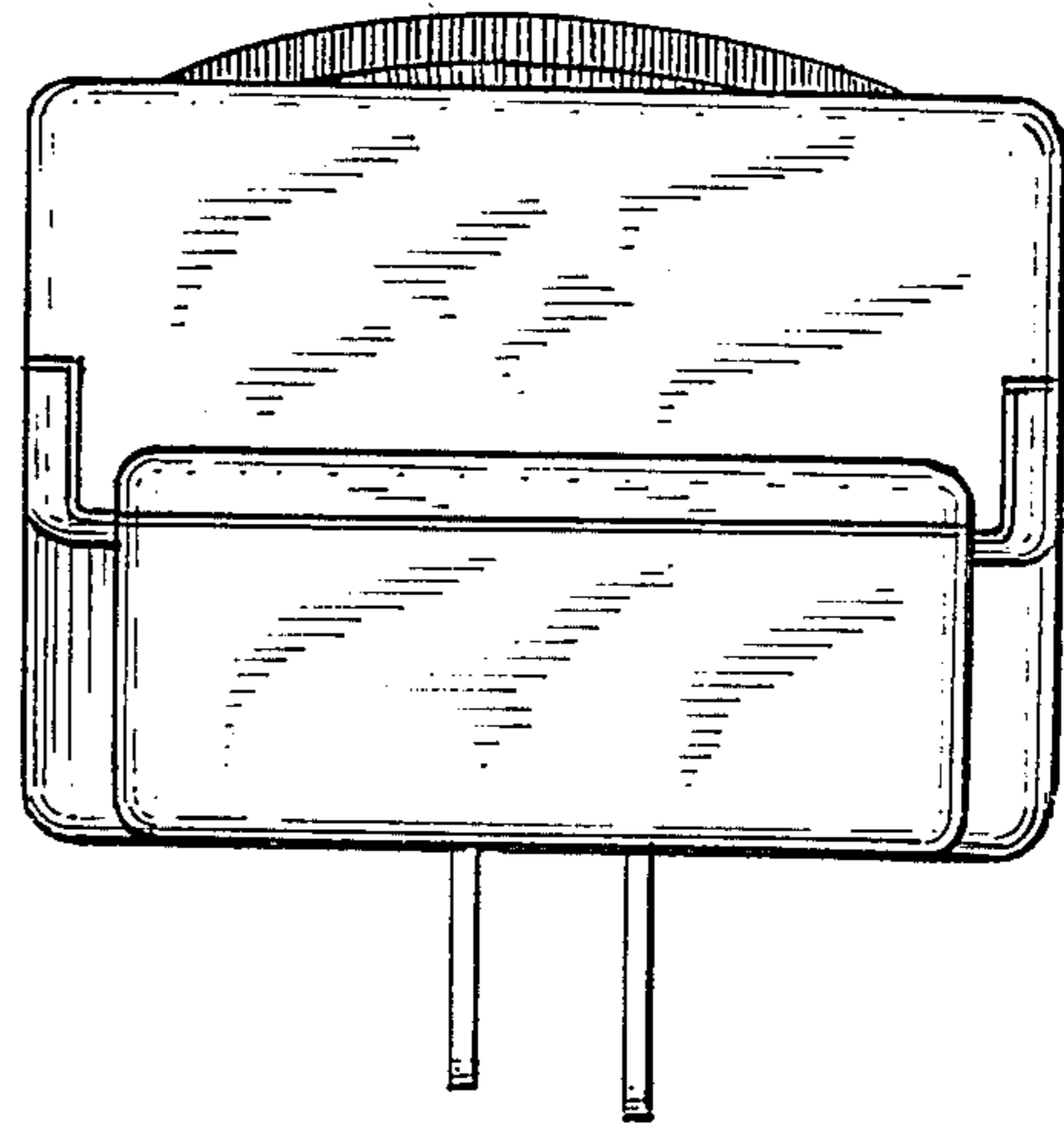


FIG. 6

