

[54] LOCKABLE SLEEVE FOR ENCLOSING A HATCHBACK LIFTGATE SUPPORT ROD

Primary Examiner—Wallace R. Burke
Assistant Examiner—Brian N. Vinson

[76] Inventor: Alexander Behring, 828 9th St., Santa Monica, Calif. 90403

[57] CLAIM

The ornamental design for a lockable sleeve for enclosing a hatchback liftgate support rod, as shown and described.

[**] Term: 14 Years

[21] Appl. No.: 816,785

DESCRIPTION

[22] Filed: Jan. 7, 1986

FIG. 1 is a top, rear perspective view of a lockable sleeve for enclosing a hatchback liftgate support rod showing my new design;

[52] U.S. Cl. D8/330

FIG. 2 is an enlarged bottom rear perspective view thereof;

[58] Field of Search D8/330-331, D8/342-346; 248/351; 267/64.12; 292/262, 265, 275, 277-278, 258, 288, 338-339, DIG. 23, DIG. 42, DIG. 43

FIG. 3 is an enlarged top front perspective view thereof;

[56] References Cited

U.S. PATENT DOCUMENTS

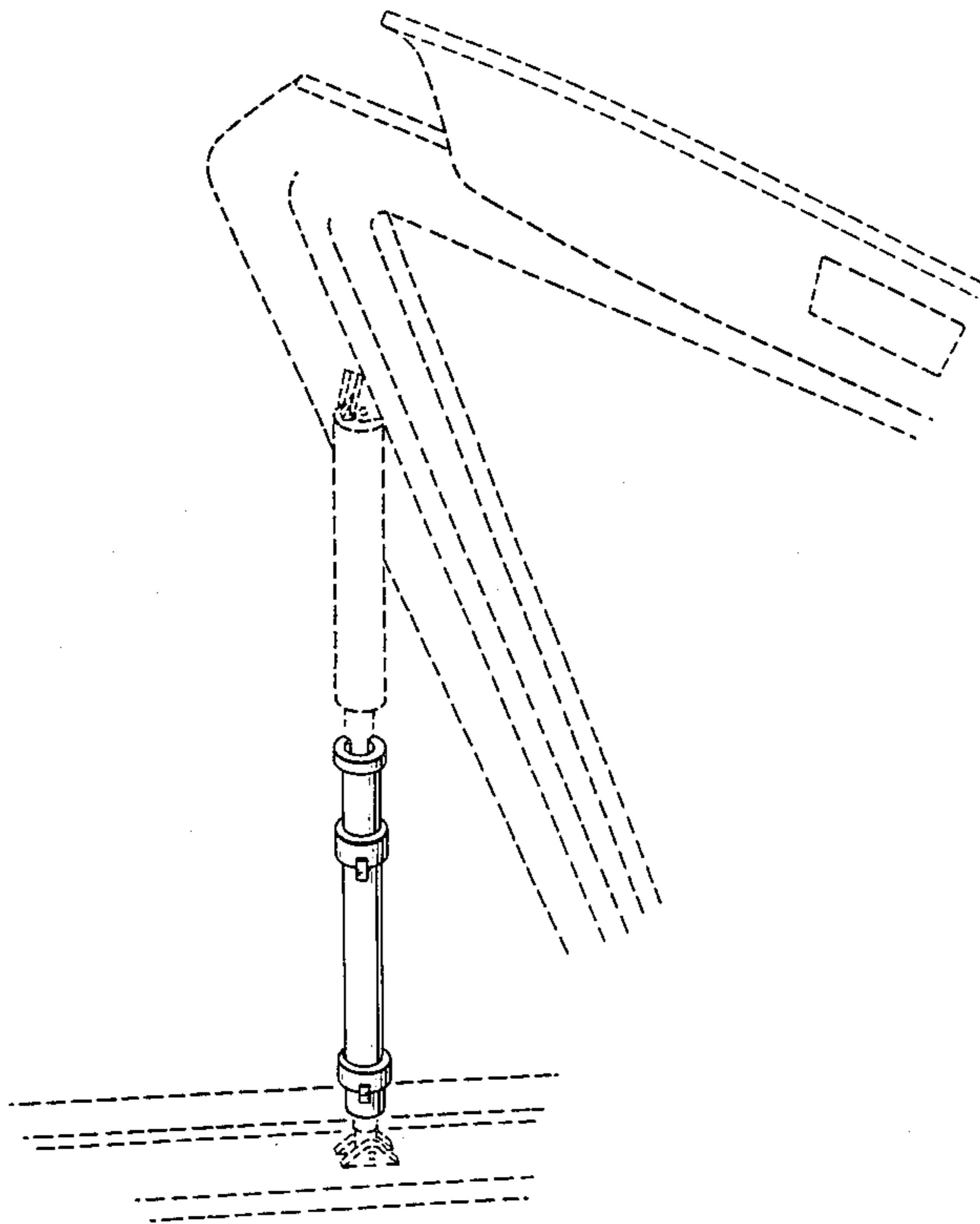
1,151,889	8/1915	Lydecker	292/277
3,480,247	11/1969	Waner	292/275
3,711,892	1/1973	Tabor	292/275 X
3,765,053	10/1973	Anweiler	292/275 X
3,851,908	12/1974	Hester et al.	292/338 X
3,917,331	11/1975	Duran	292/338
4,070,050	1/1978	Glock et al.	292/339
4,634,170	1/1987	Lach	292/338 X

FIG. 4 is an enlarged horizontal cross-sectional view thereof, taken along line 4—4 of FIG. 2;

FIG. 5 is an enlarged partial bottom rear perspective view thereof, with the collar shown rotated to the locked position and the top portion of the sleeve being omitted for convenience of illustration; and

FIG. 6 is an enlarged horizontal cross-sectional view thereof, taken along line 6—6 of FIG. 5.

The broken-line showing of portions of the liftgate and support rod in the views is for illustrative purposes only and forms no part of the claimed design.



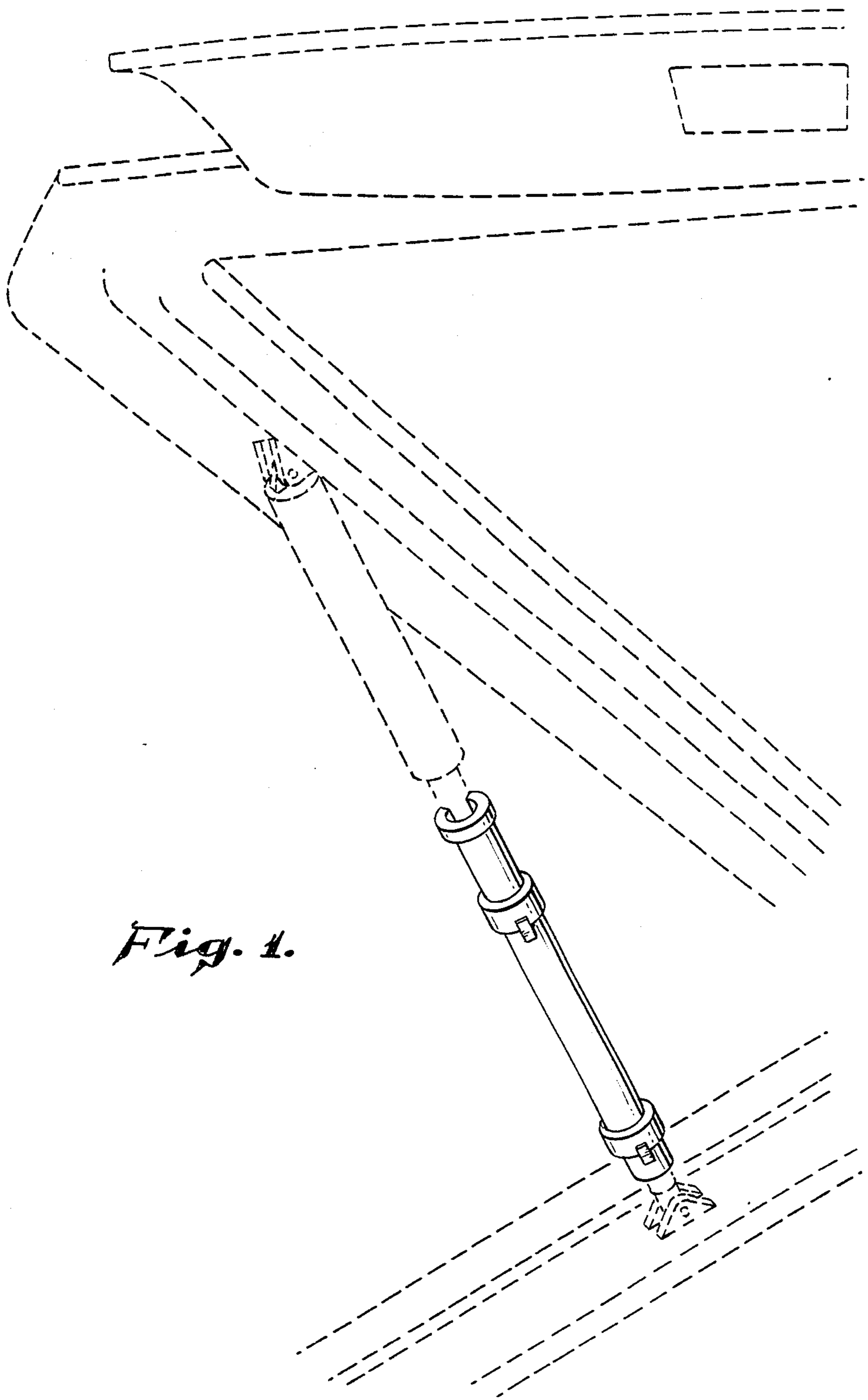


Fig. 1.

Fig. 2.

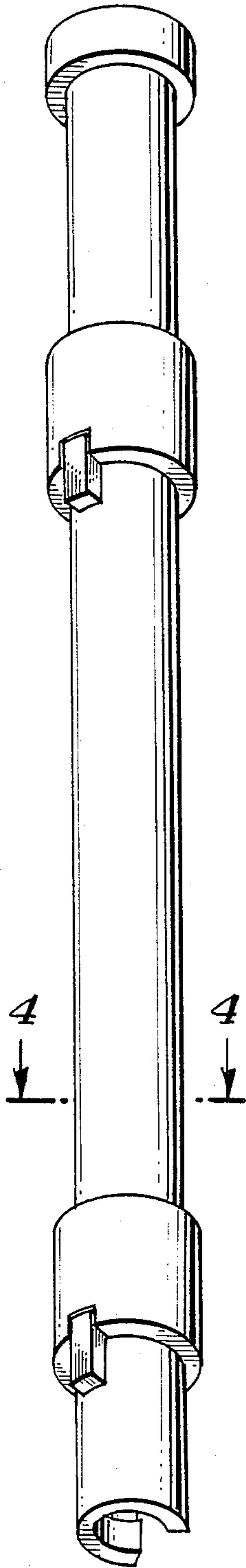


Fig. 3.

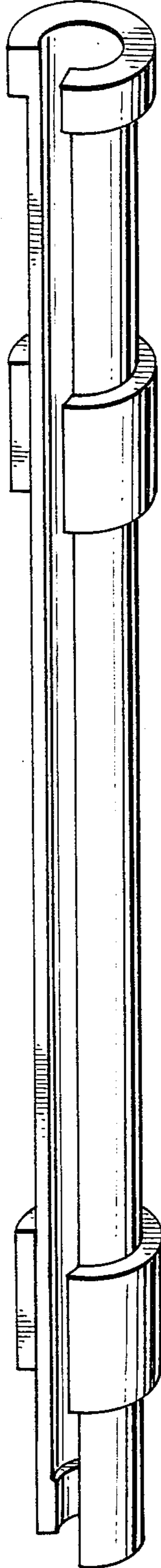


Fig. 4.

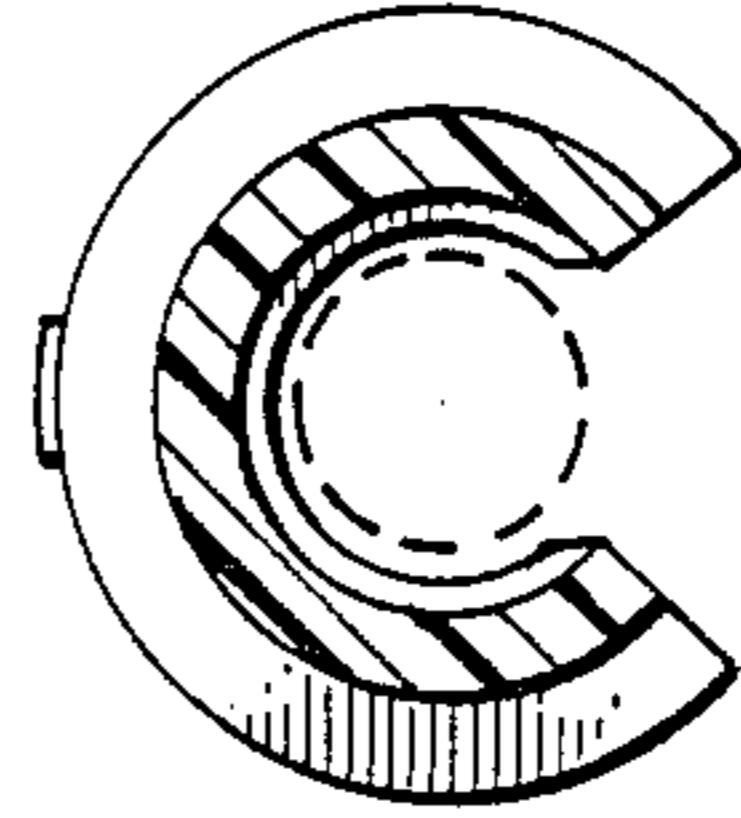


Fig. 5.

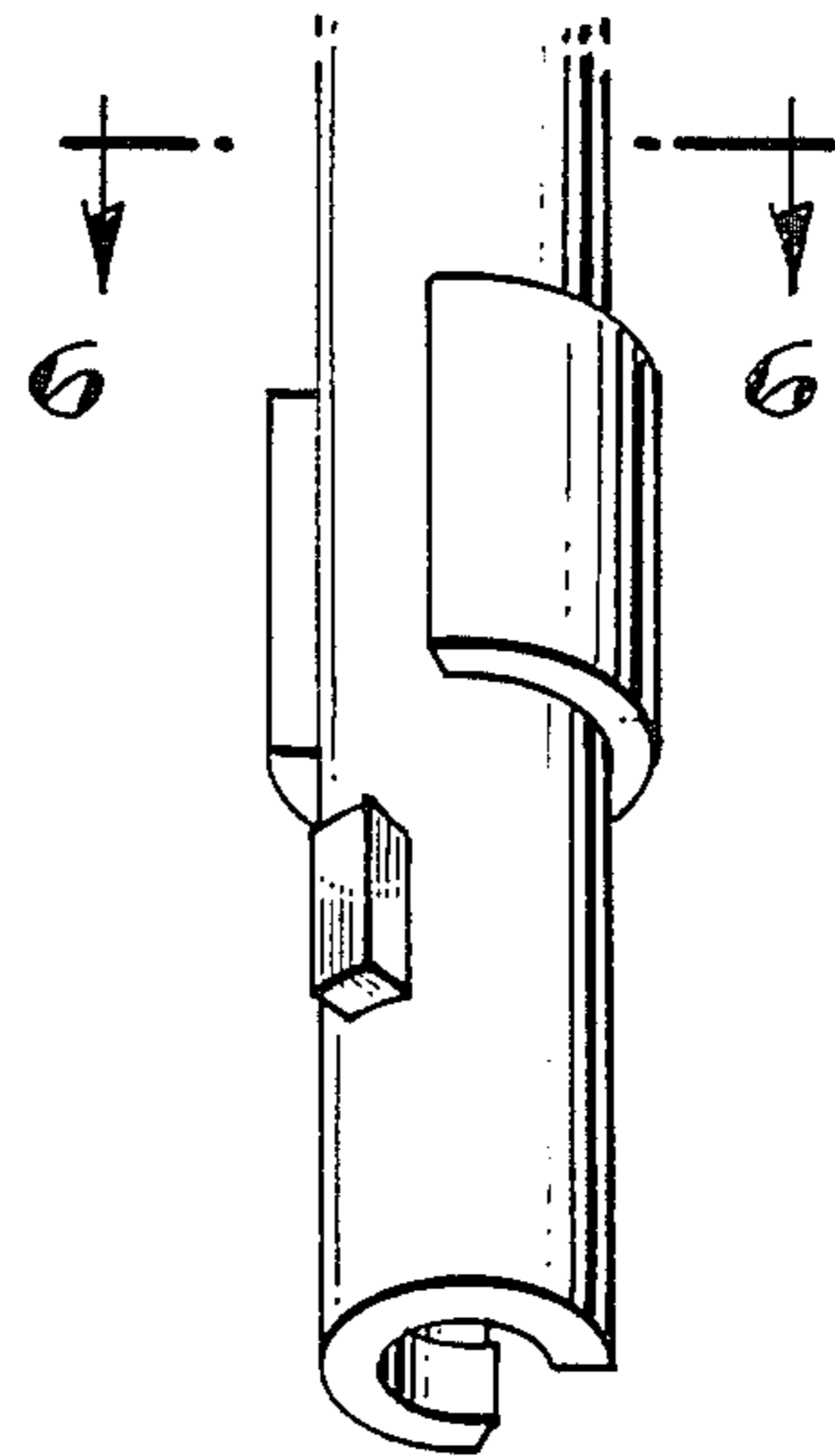


Fig. 6.

