

United States Patent [19]

Beltz

[11] Patent Number: **Des. 296,862**

[45] Date of Patent: **** Jul. 26, 1988**

[54] **HEAT CONDUCTOR FOR COOKING PIZZA**

[75] Inventor: **John D. Beltz, Wichita, Kans.**

[73] Assignee: **Pizza Hut, Inc., Wichita, Kans.**

[**] Term: **14 Years**

[21] Appl. No.: **746,239**

[22] Filed: **Jun. 18, 1985**

[52] U.S. Cl. **D7/402**

[58] Field of Search **D7/402, 408, 323, 331;
99/373, 419, 421 R, 421 HV, 494, 515, DIG.
11; 17/25, 28**

[56] **References Cited**

U.S. PATENT DOCUMENTS

355,767 1/1887 Knowlton 17/25
802,444 10/1905 Dare 17/25

1,969,601 8/1934 Foch 99/419
2,183,938 12/1939 Lewis 99/419
3,635,146 1/1972 Aubert 99/419
4,323,005 4/1982 Sconyers 99/419

Primary Examiner—Wallace R. Burke

Assistant Examiner—Ruth Takemoto

Attorney, Agent, or Firm—William Brinks Olds Hofer
Gilson & Lione Ltd.

[57] CLAIM

The ornamental design for a heat conductor for cooking pizza, substantially as shown.

DESCRIPTION

FIG. 1 is a front elevational view of a heat conductor for cooking pizza showing my new design;

FIG. 2 is a top plan view thereof;

FIG. 3 is a side elevational view thereof; and

FIG. 4 is a bottom plan view thereof.

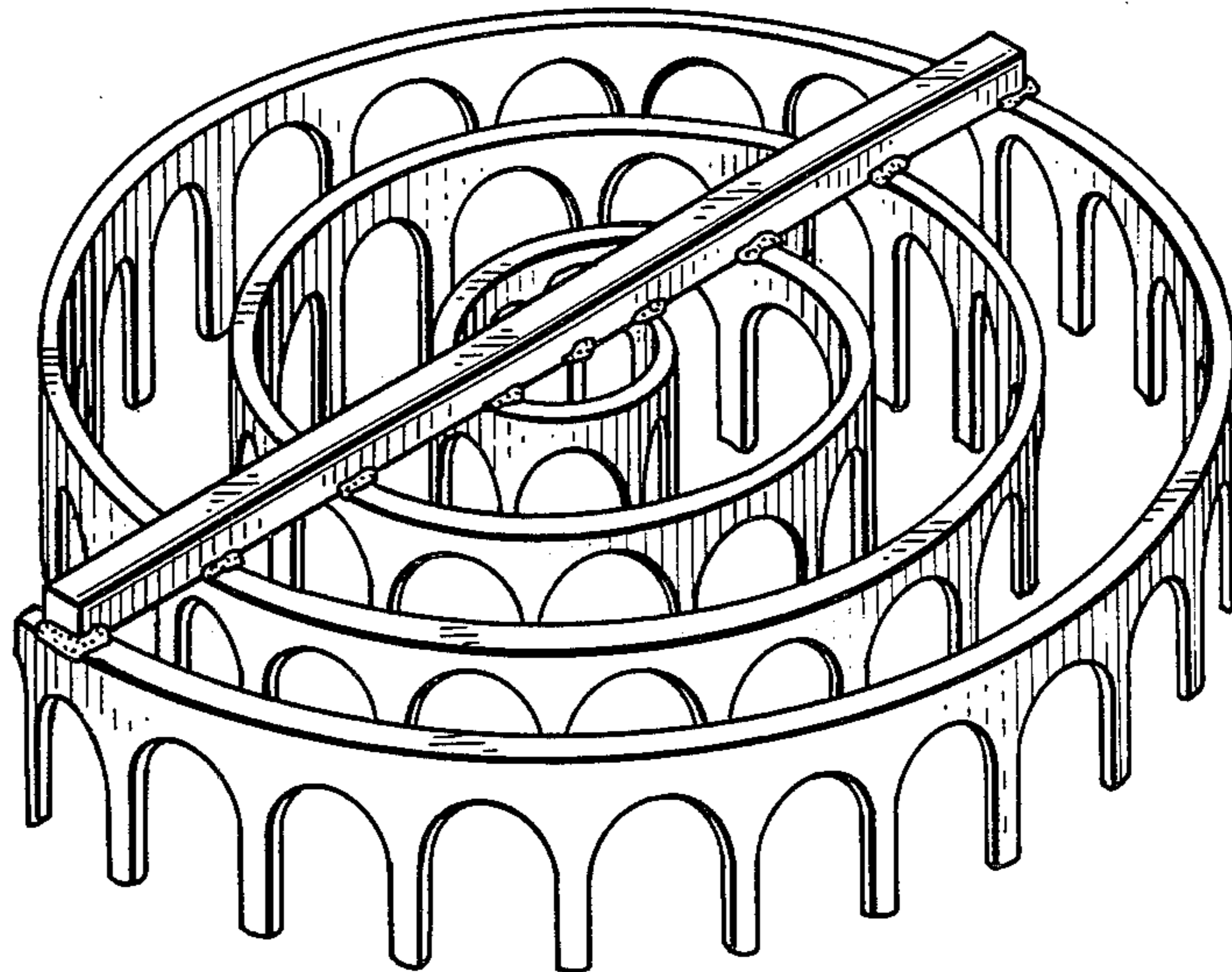


FIG. 1

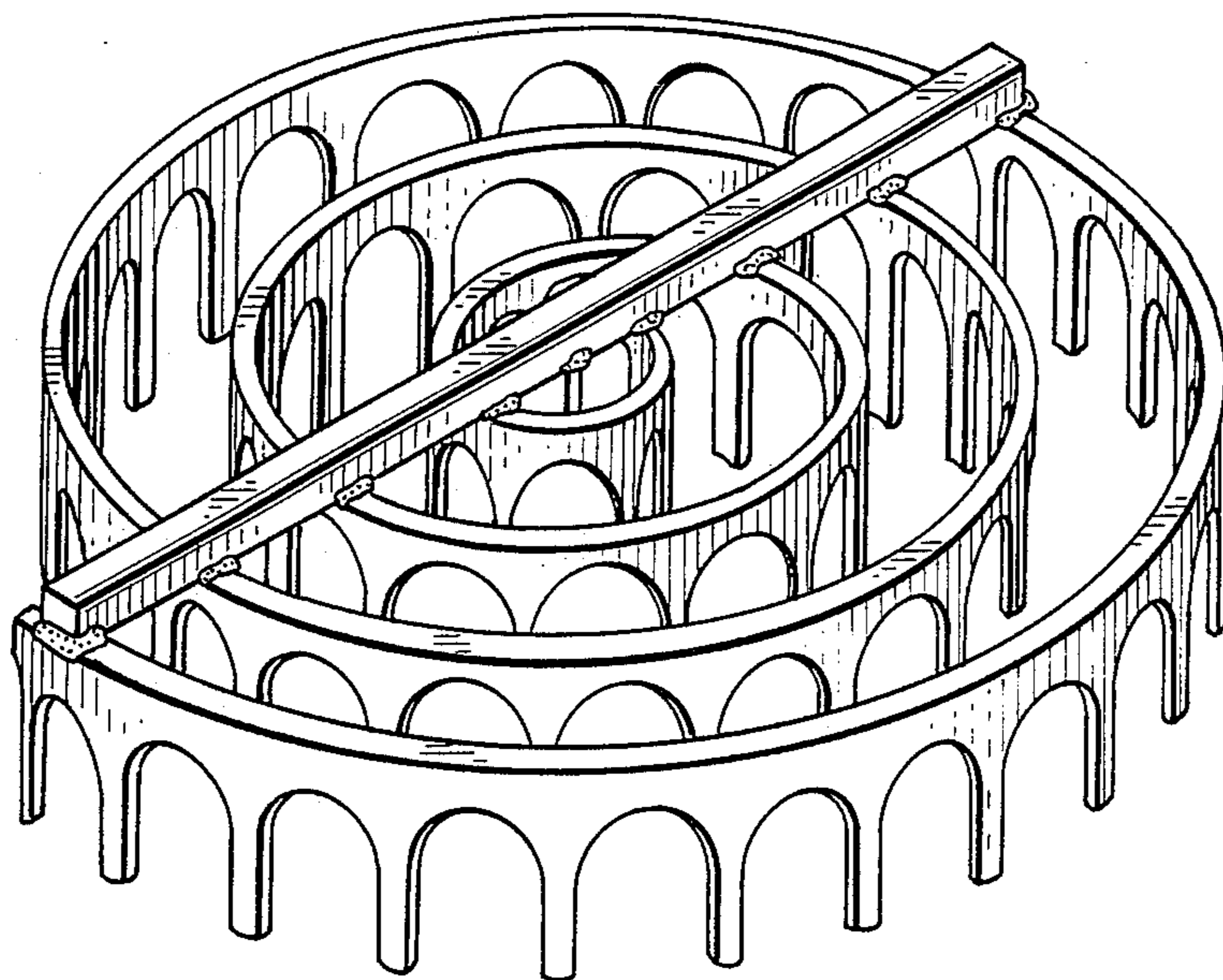
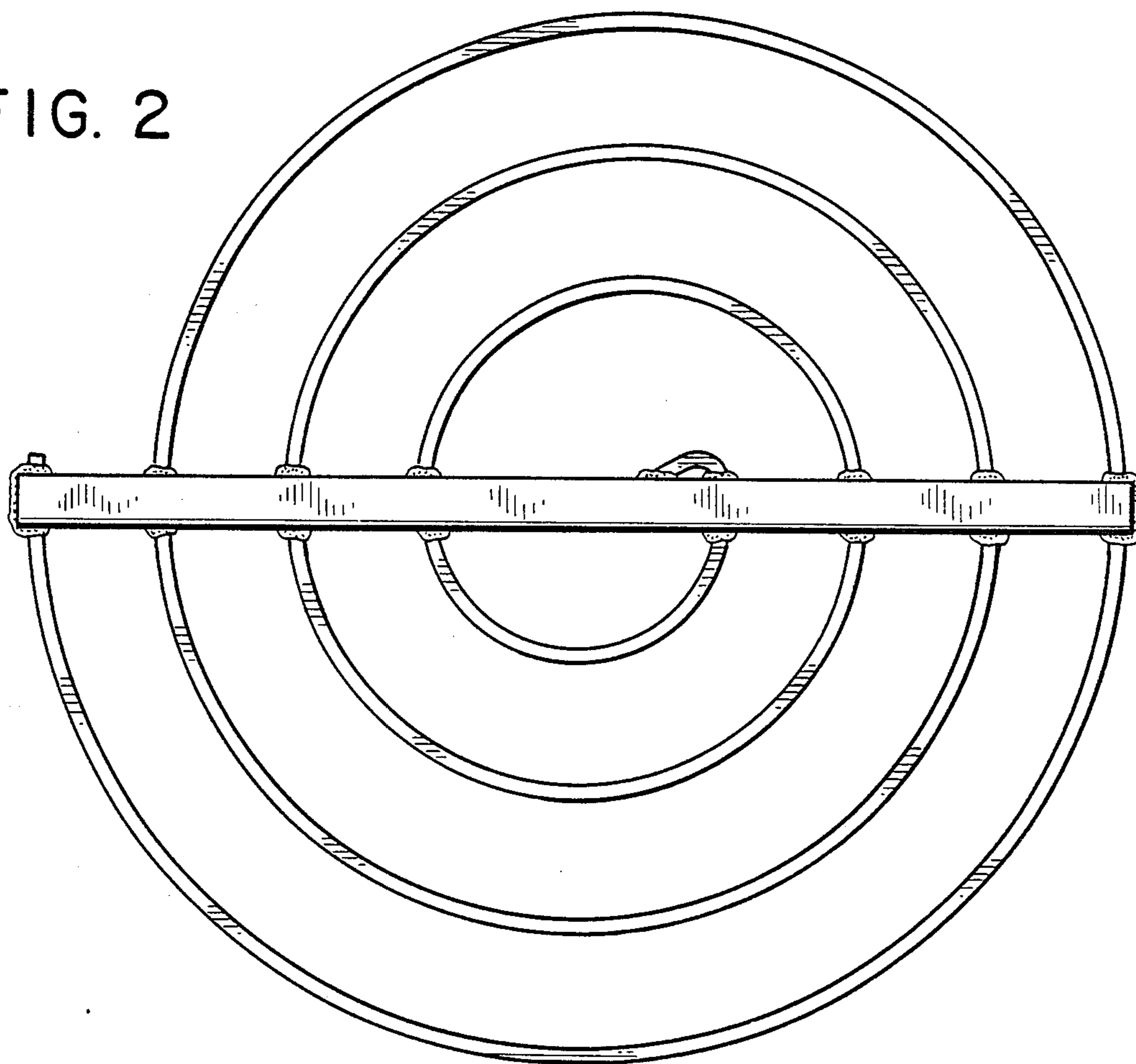


FIG. 2



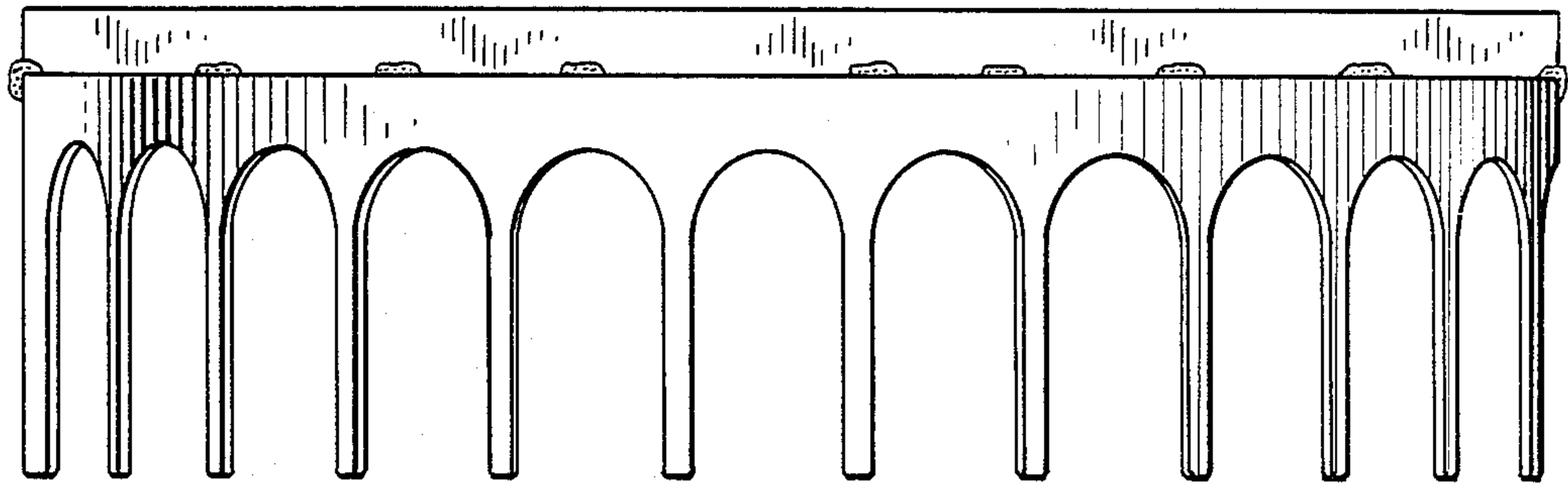


FIG. 3

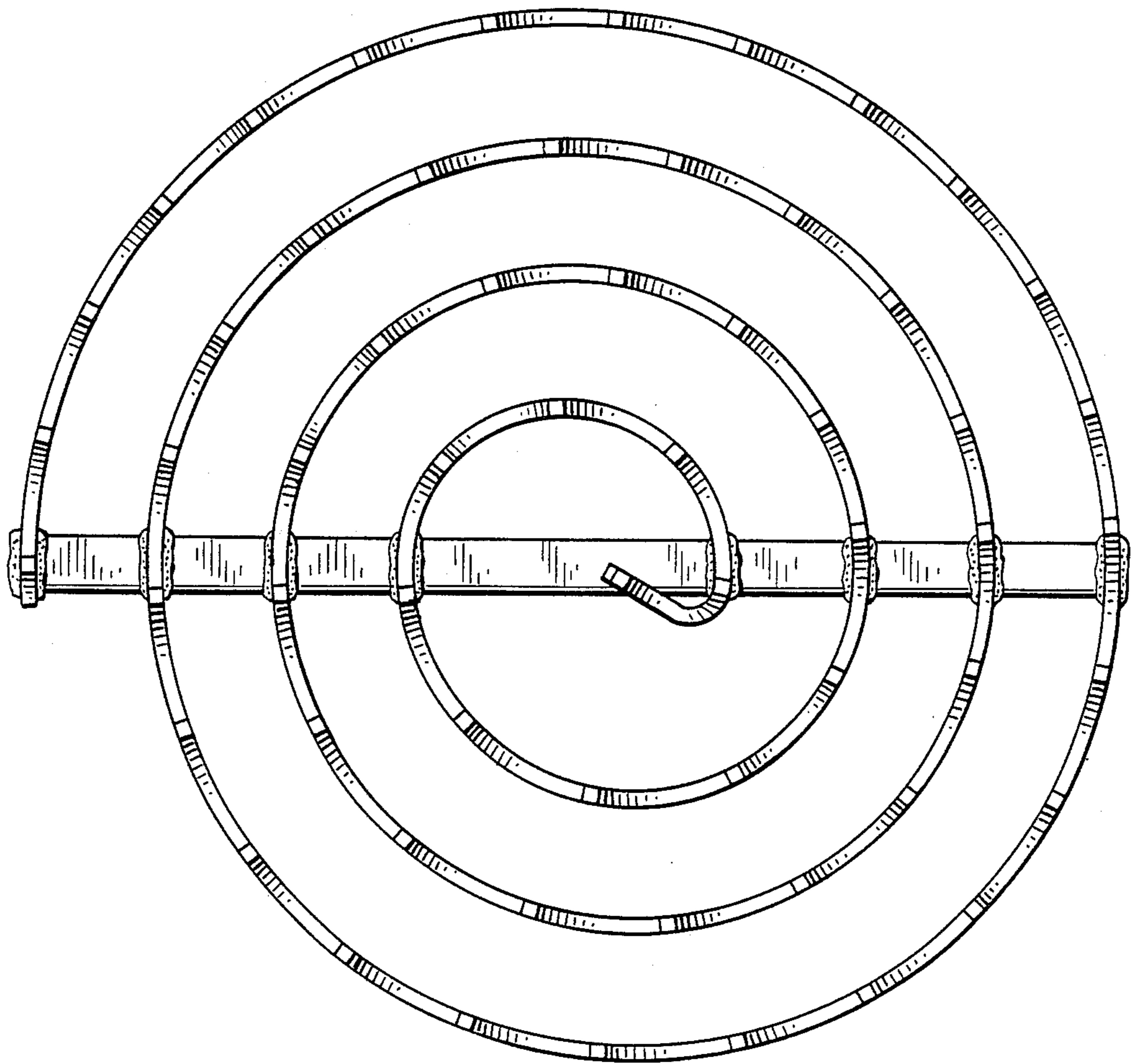


FIG. 4 .