

[54] COMBINATION SUPPORT RACK AND BOWL FOR BARBEQUE ACCESSORIES

[76] Inventors: Douglas Fielding, 2149 Stuart St., Berkeley, Calif. 94705; Charles Adams, 623 63rd St., Oakland, Calif. 94609

[**] Term: 14 Years

[21] Appl. No.: 894,356

[22] Filed: Aug. 7, 1986

[52] U.S. Cl. D7/402

[58] Field of Search D7/73, 70, 387, 402, D7/409; 211/74, 119, 126, 131, 181; 248/215, 312, 318; 108/152; 220/85 H

[56] References Cited

U.S. PATENT DOCUMENTS

D. 228,304	9/1973	Lerew et al.	D7/70
D. 238,040	12/1975	Hardy	D7/402
D. 241,701	10/1976	Rader	D7/37
517,293	3/1894	Powell	220/85 D
1,385,580	7/1921	Owen	211/70.7
1,620,407	3/1927	Streif	211/74
2,242,833	5/1941	Nibur	211/74
3,104,040	9/1963	Stevens	211/74
3,115,107	12/1963	Glenny	108/152
3,814,359	6/1974	Powell	248/215

3,904,041	9/1975	Medgebow	248/215
3,986,695	10/1976	Hronas	211/74
3,995,744	12/1976	Metcalf	211/131
4,337,751	7/1982	Sampson et al.	126/25 R
4,488,535	12/1984	Johnson	126/25 A
4,606,523	8/1986	Statz et al.	211/74
4,628,892	12/1986	Baynes	126/25 R

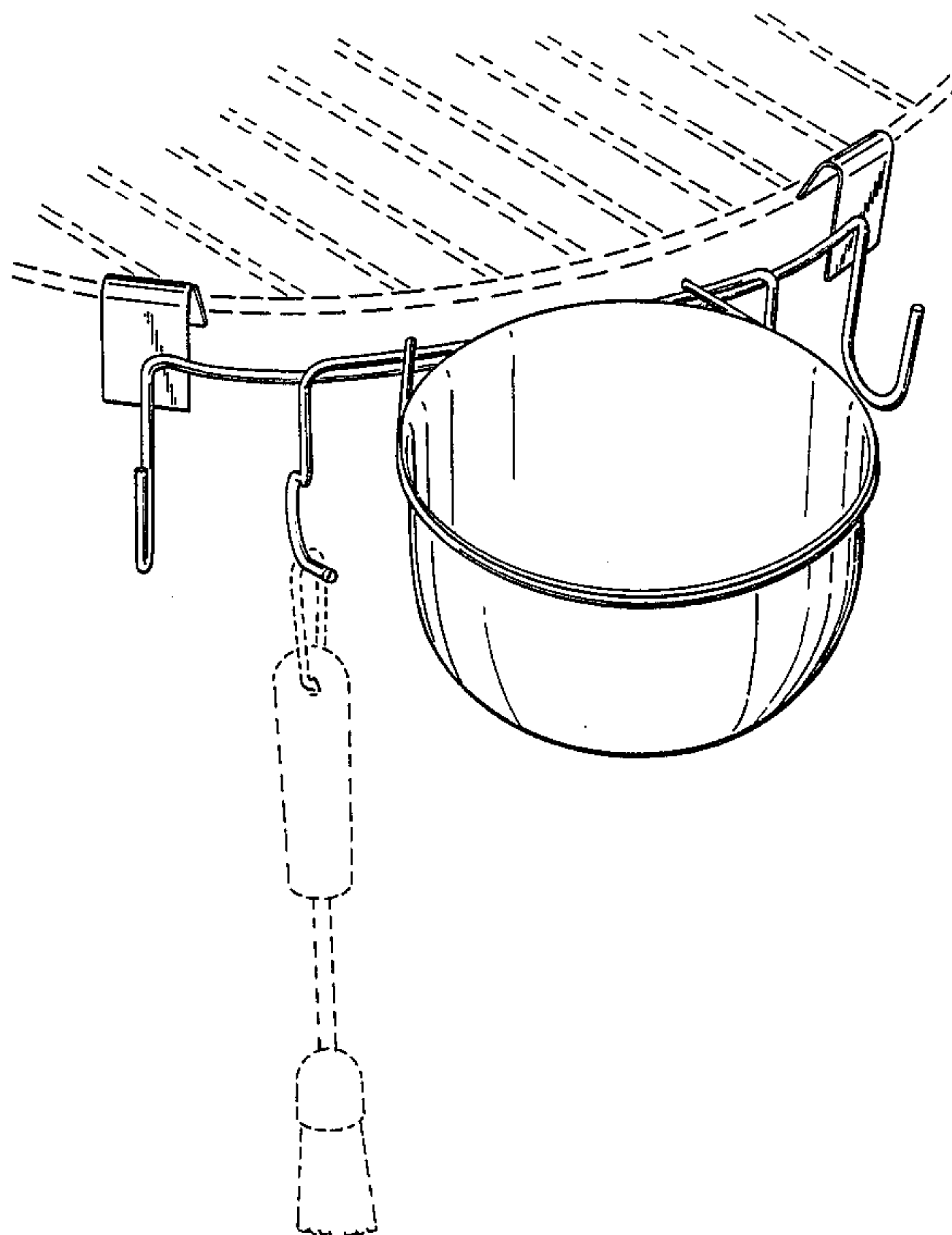
Primary Examiner—Wallace R. Burke
Assistant Examiner—Ruth Takemoto
Attorney, Agent, or Firm—Owen, Wickersham & Erickson

[57] CLAIM

The ornamental design for a combination support rack and bowl for barbeque accessories, as shown and described.

DESCRIPTION

FIG. 1 is a perspective view of a combination support rack and bowl for barbeque accessories showing my new design;
FIG. 2 is a side elevational view thereof;
FIG. 3 is a front elevational view thereof;
FIG. 4 is a rear elevational view thereof;
FIG. 5 is a top plan view thereof; and
FIG. 6 is a bottom plan view thereof.
The grill and tool shown in broken lines in FIG. 1 are for illustrative purposes only and form no part of the claimed design.



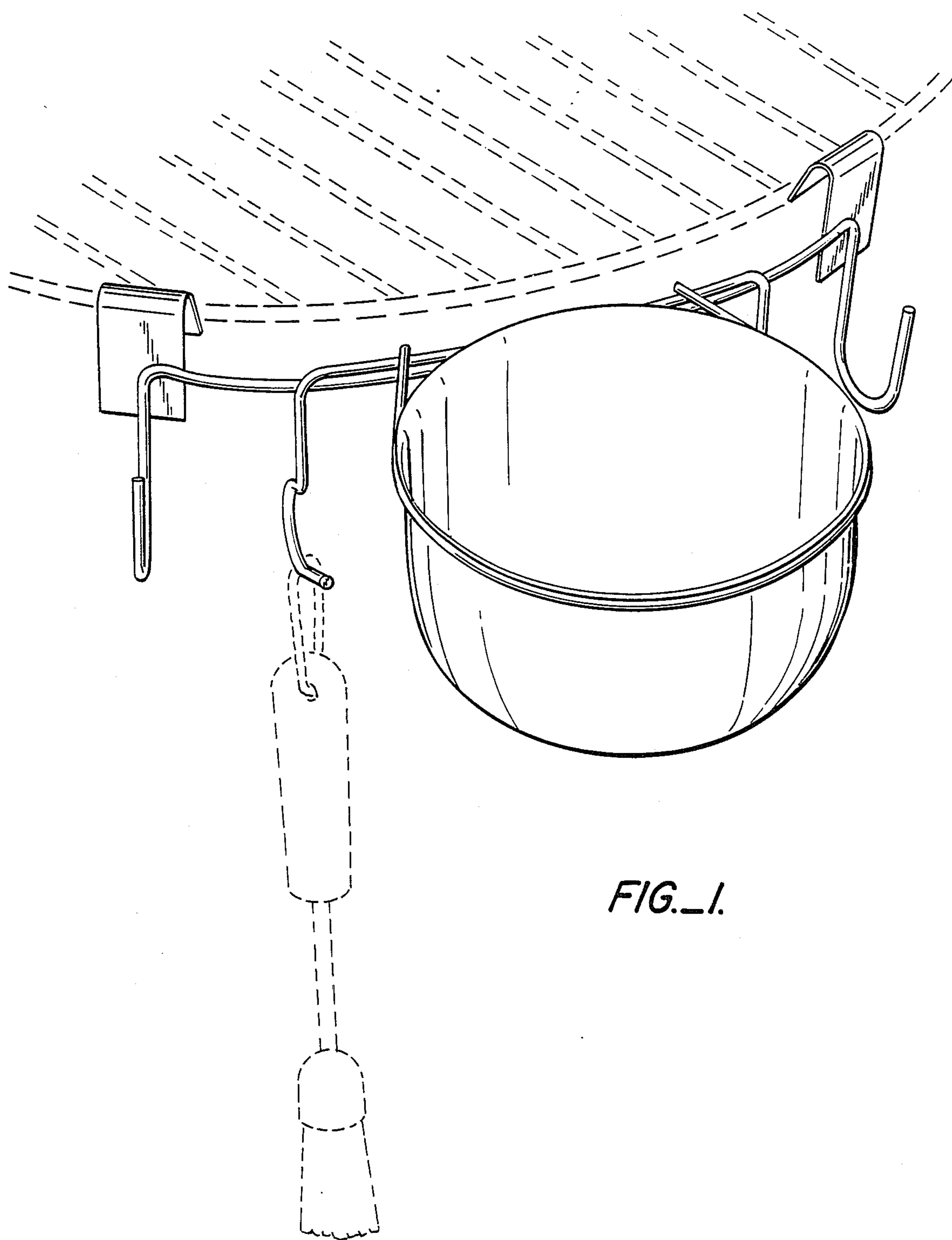


FIG. 1.

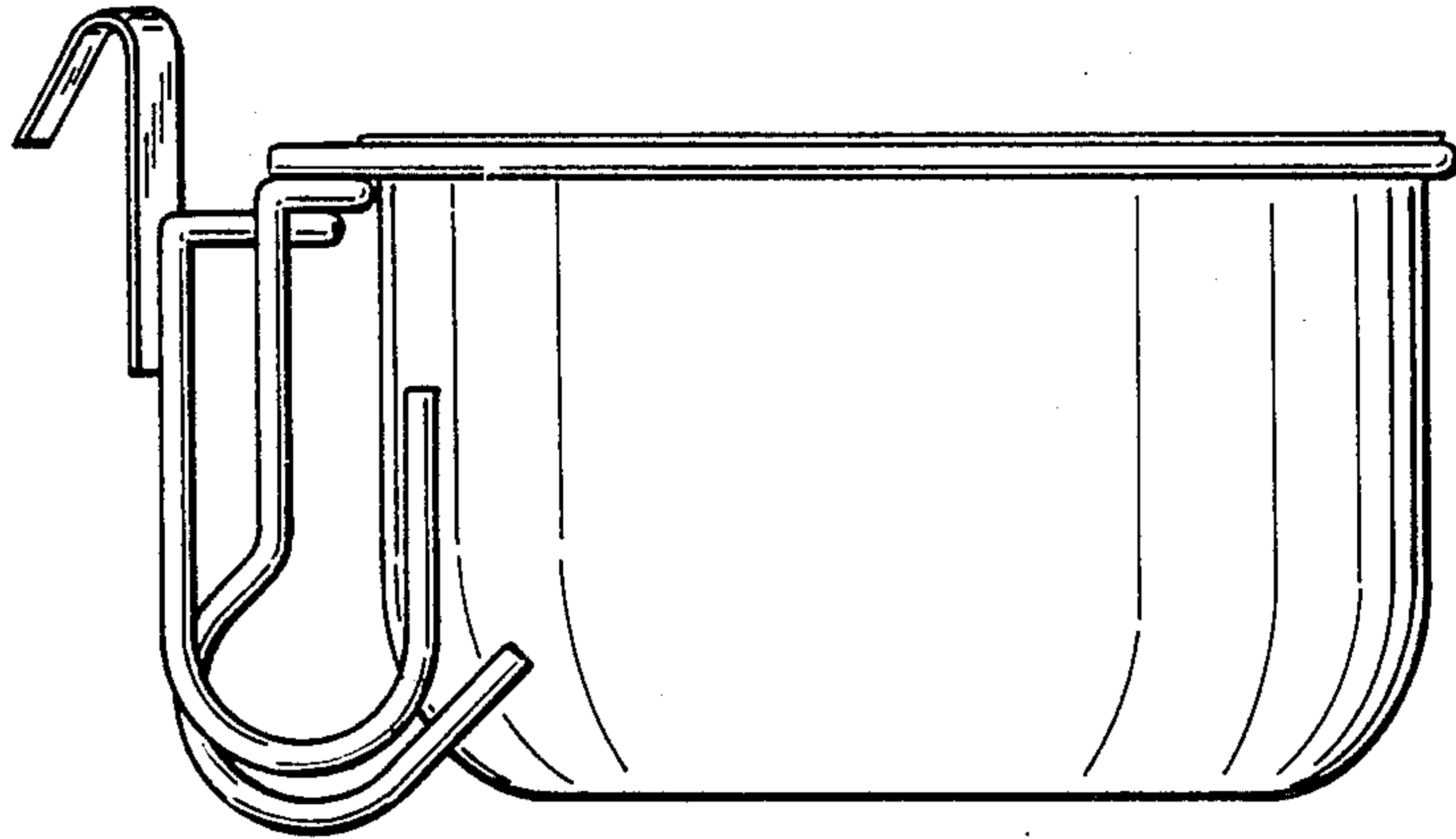


FIG. 2.

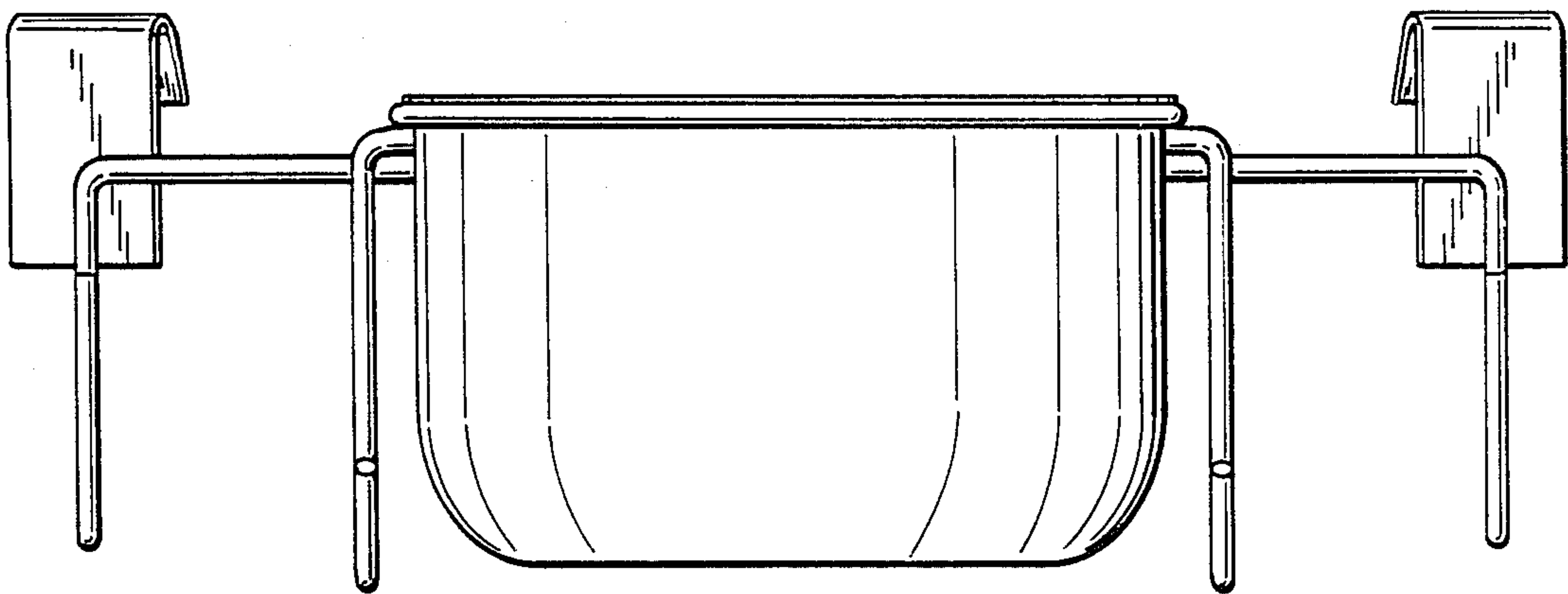


FIG. 3.

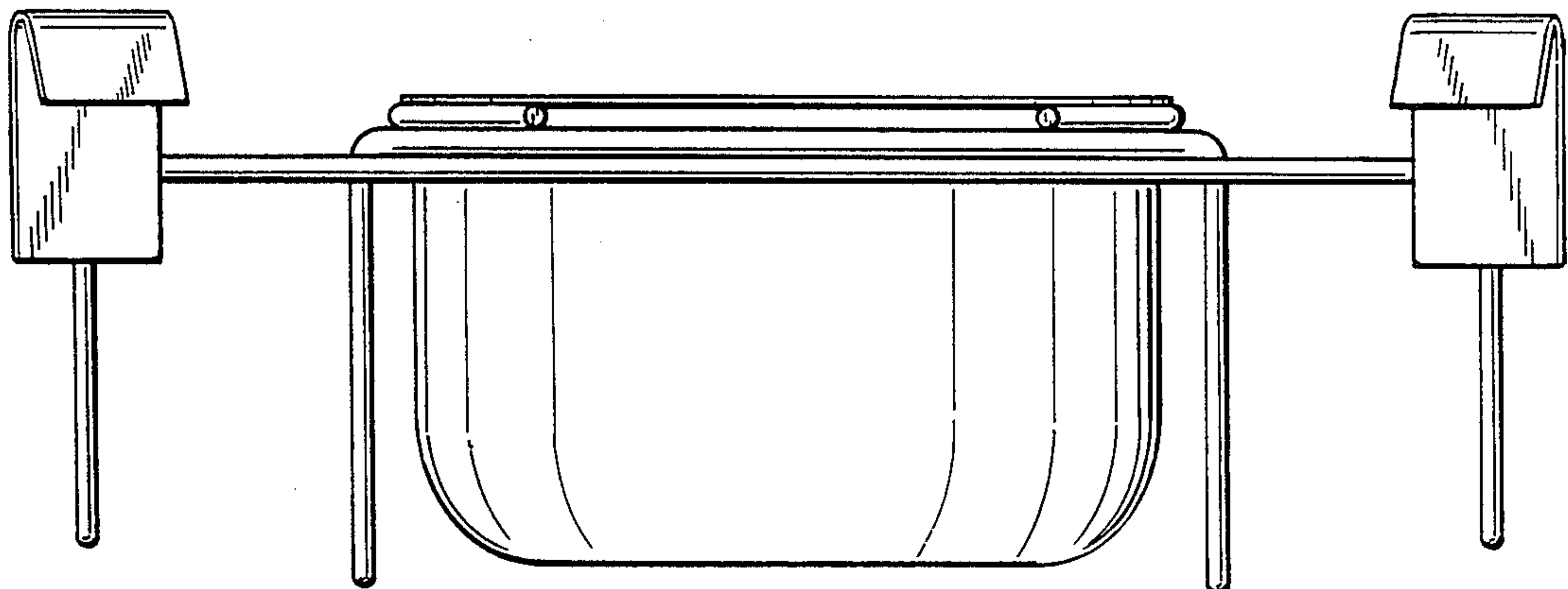


FIG. 4.

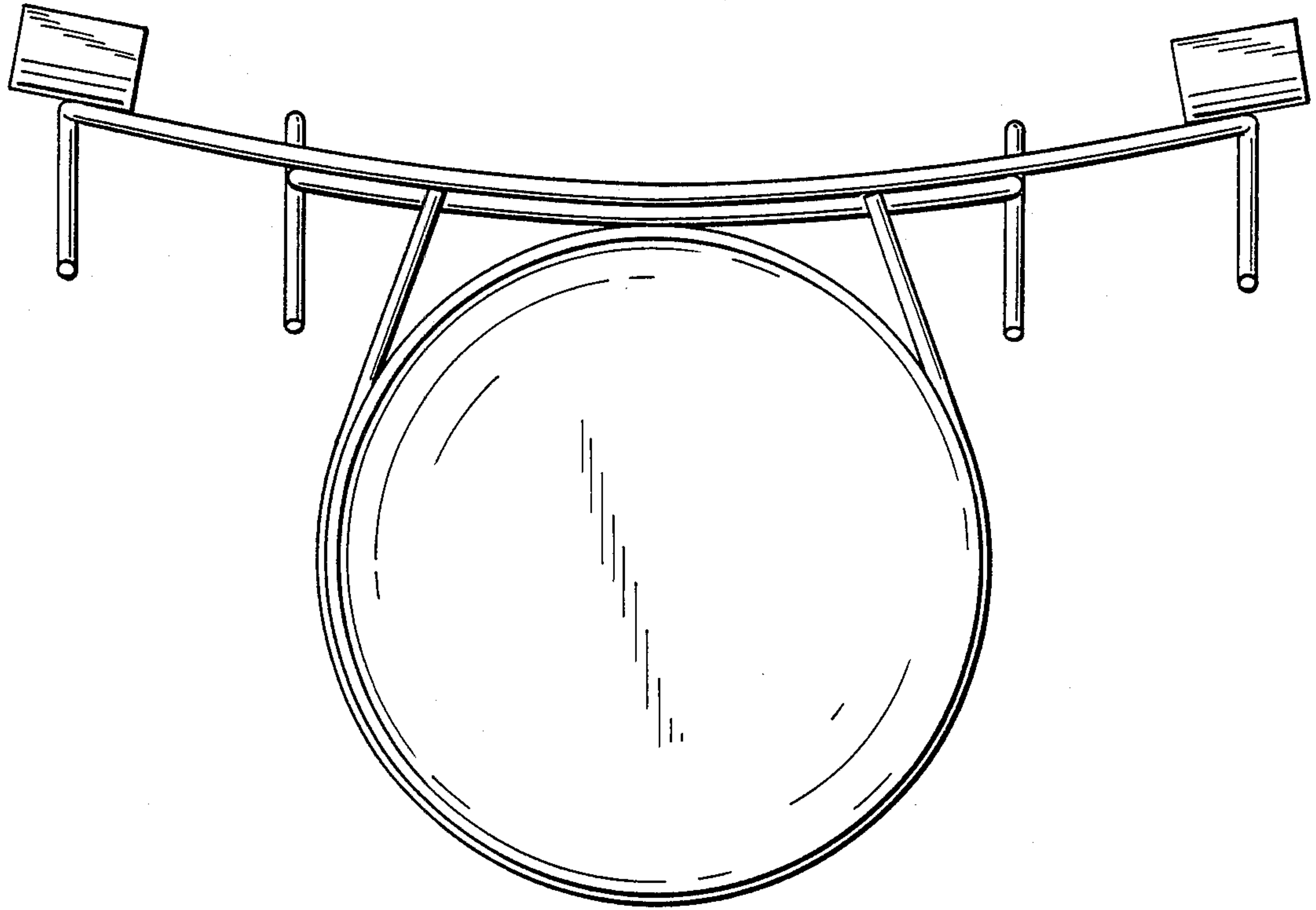


FIG. 5.

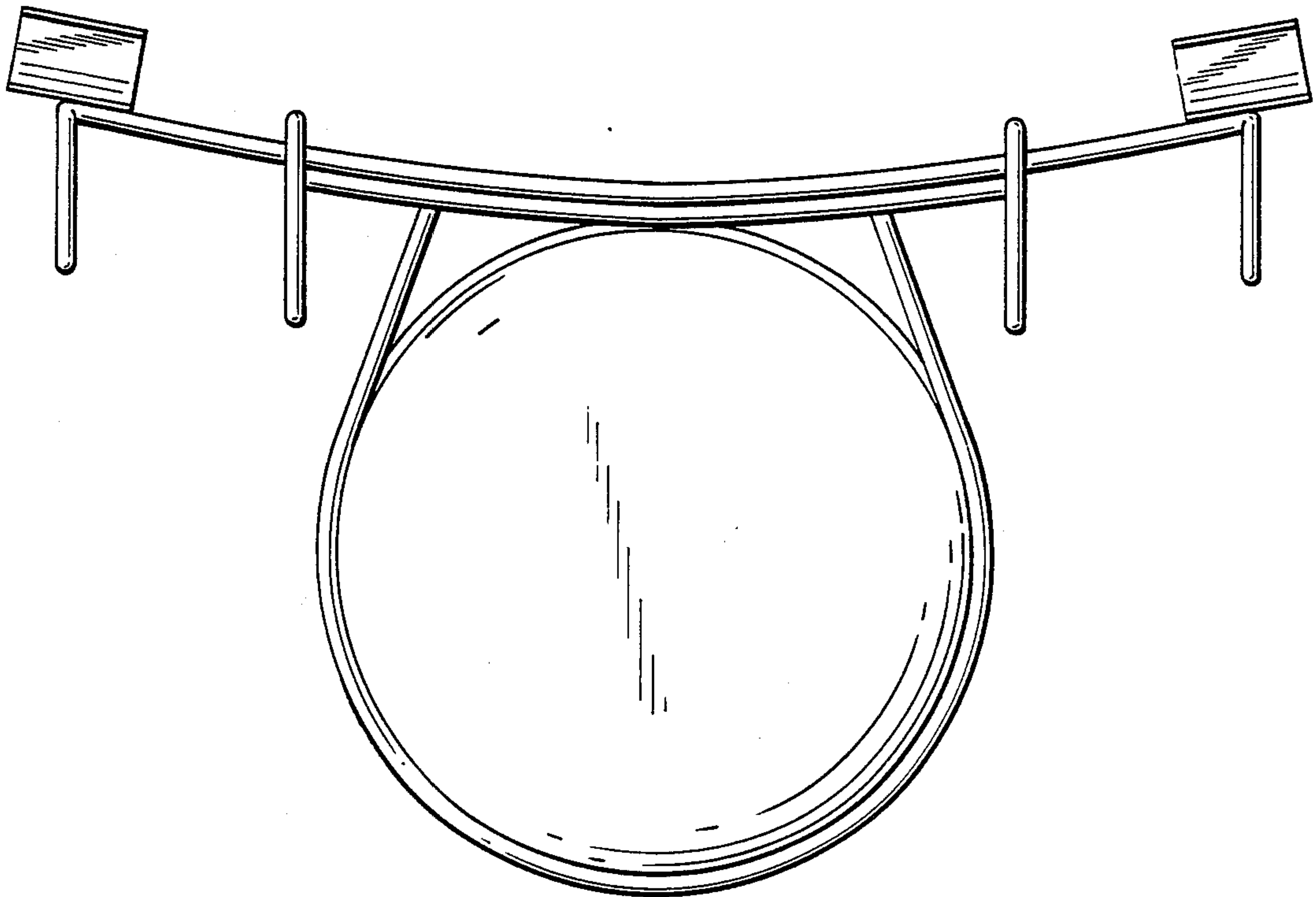


FIG. 6.