

[54] FOOD PROCESSOR

[75] Inventor: Rudolf Maass, Solingen, Fed. Rep. of Germany

[73] Assignee: Robert Krups Stiftung & Co. KG., Solingen, Fed. Rep. of Germany

[*] Notice: The portion of the term of this patent subsequent to Jan. 26, 2002 has been disclaimed.

[**] Term: 14 Years

[21] Appl. No.: 760,284

[22] Filed: Jul. 29, 1985

[52] U.S. Cl. D7/384

[58] Field of Search D7/384, 368, 372-374, D7/376-378, 383, 379, 385

[56] References Cited

U.S. PATENT DOCUMENTS

- D. 256,318 8/1980 Levin D7/384
- D. 282,620 2/1986 Cavalli D7/384
- D. 287,327 12/1986 Cavalli D7/384

FOREIGN PATENT DOCUMENTS

- 314595 6/1956 Switzerland D7/368

OTHER PUBLICATIONS

Retailing Home Furnishings, May 23, 1977, p. 32, bottom right panel, "Cuisine Machine"—Hamilton Beach.

HFD-Retailing Home Furnishings, May 14, 1979, p. 38, section one, Toshiba Electronic Food Processor, top right panel.

Schoner Wohnen, Jan. 1984, p. 82, Philips Food Processor at left, Blades and Processor shown.

Merchandising, Apr. 1984, p. 27, Sanyo Food Processor Model SKM-1550.

Primary Examiner—Winifred E. Herrmann

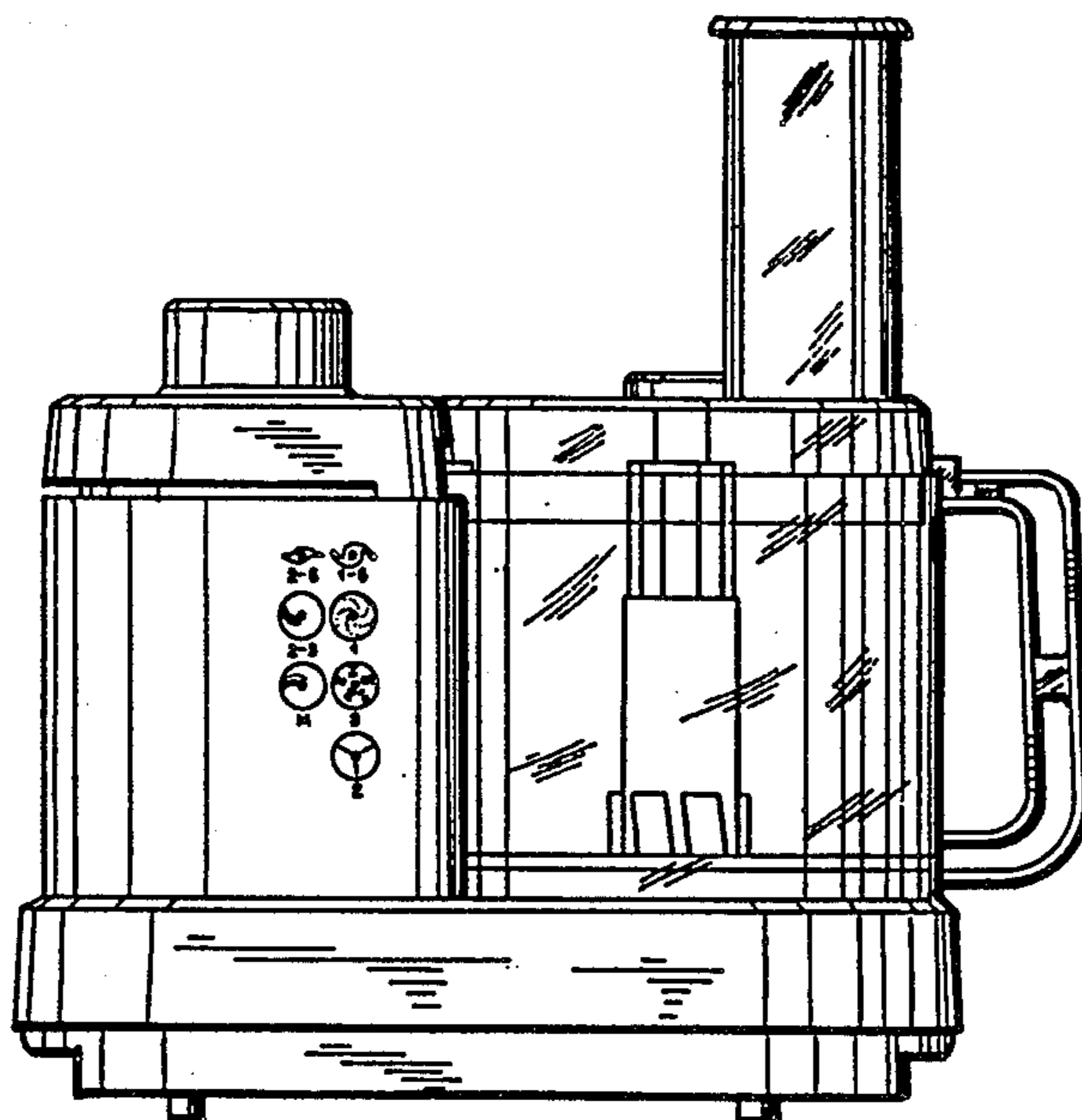
Attorney, Agent, or Firm—Peter K. Kontler

[57] CLAIM

The ornamental design of a food processor, as shown.

DESCRIPTION

FIG. 1 is a top, front, and right side perspective view of a food processor showing my new design;
 FIG. 2 is a front elevational view thereof;
 FIG. 3 is a right side elevational view thereof;
 FIG. 4 is a top plan view on a reduced scale thereof;
 FIG. 5 is a bottom plan view on a reduced scale thereof;
 FIG. 6 is a rear elevational view on a reduced scale thereof; and
 FIG. 7 is a left side elevational view on a reduced scale thereof.



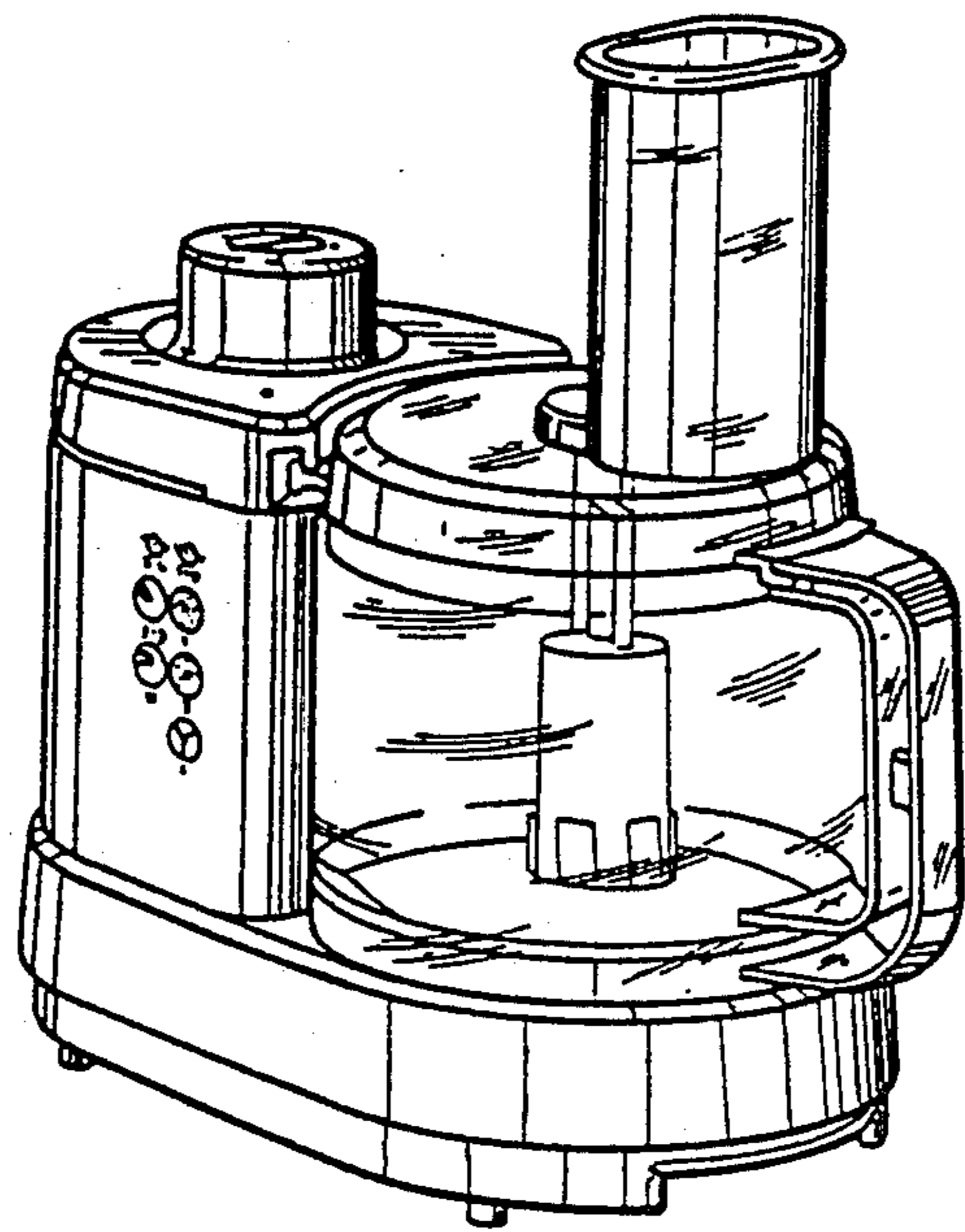


FIG. 1

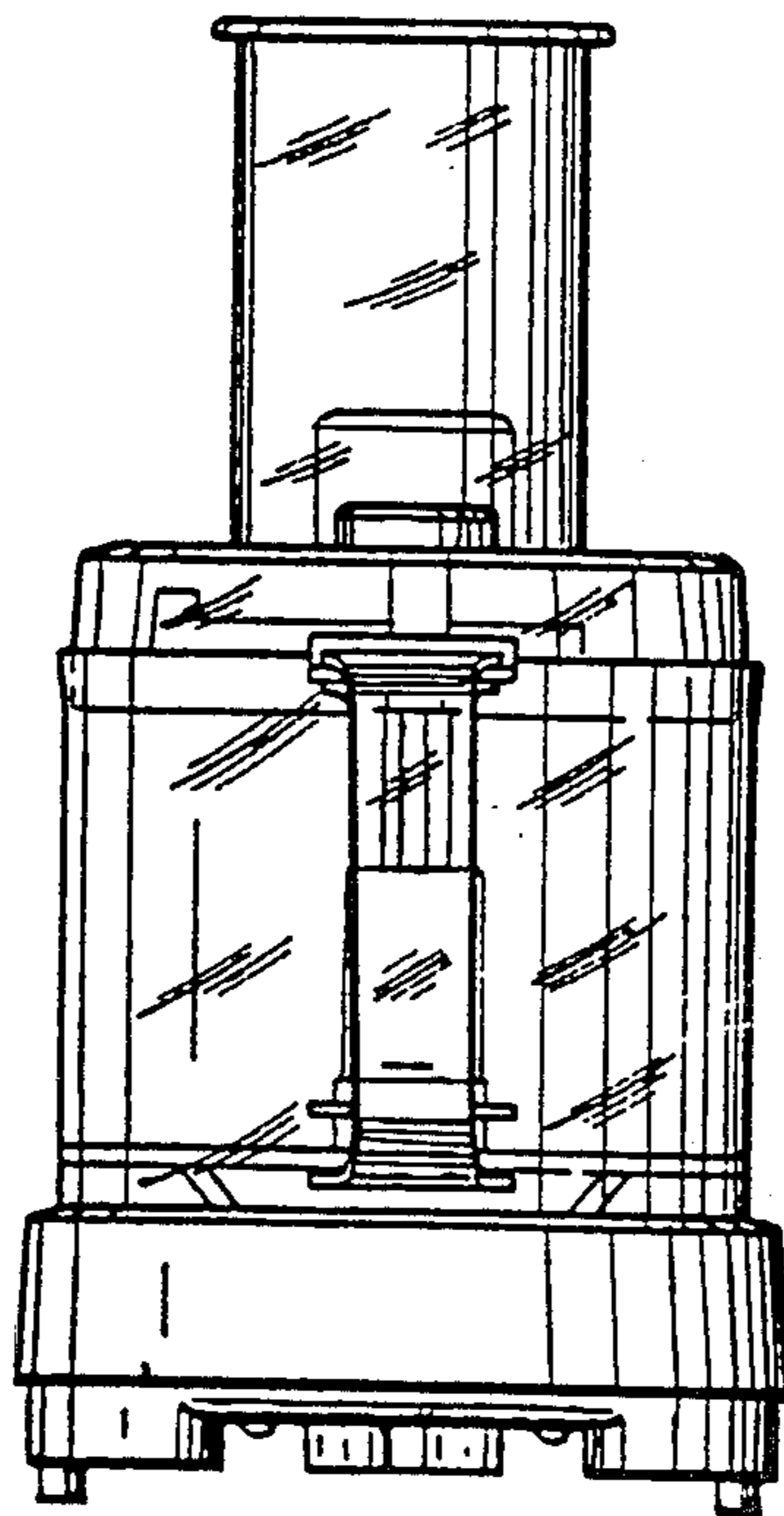
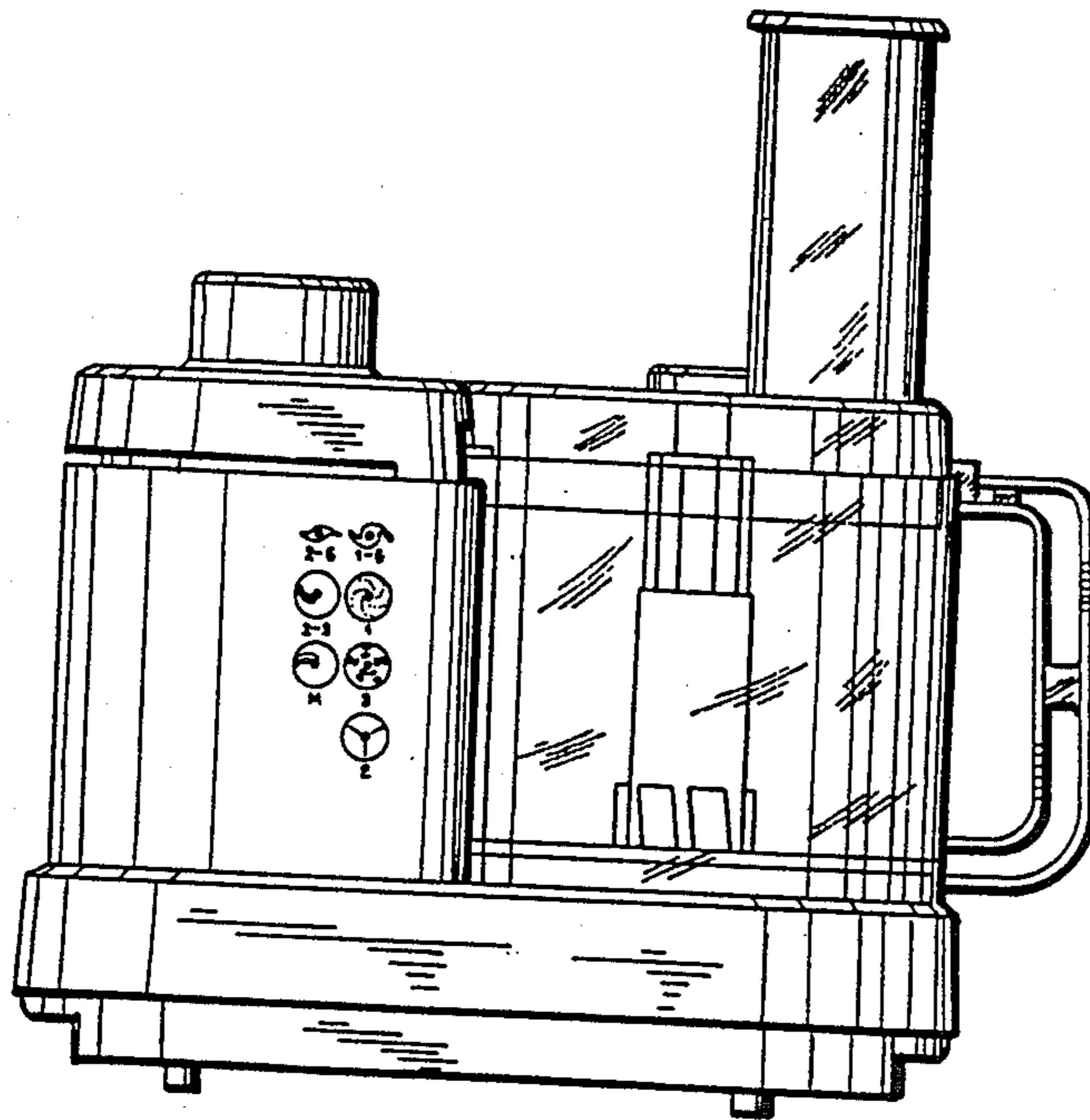


FIG. 3

FIG. 2



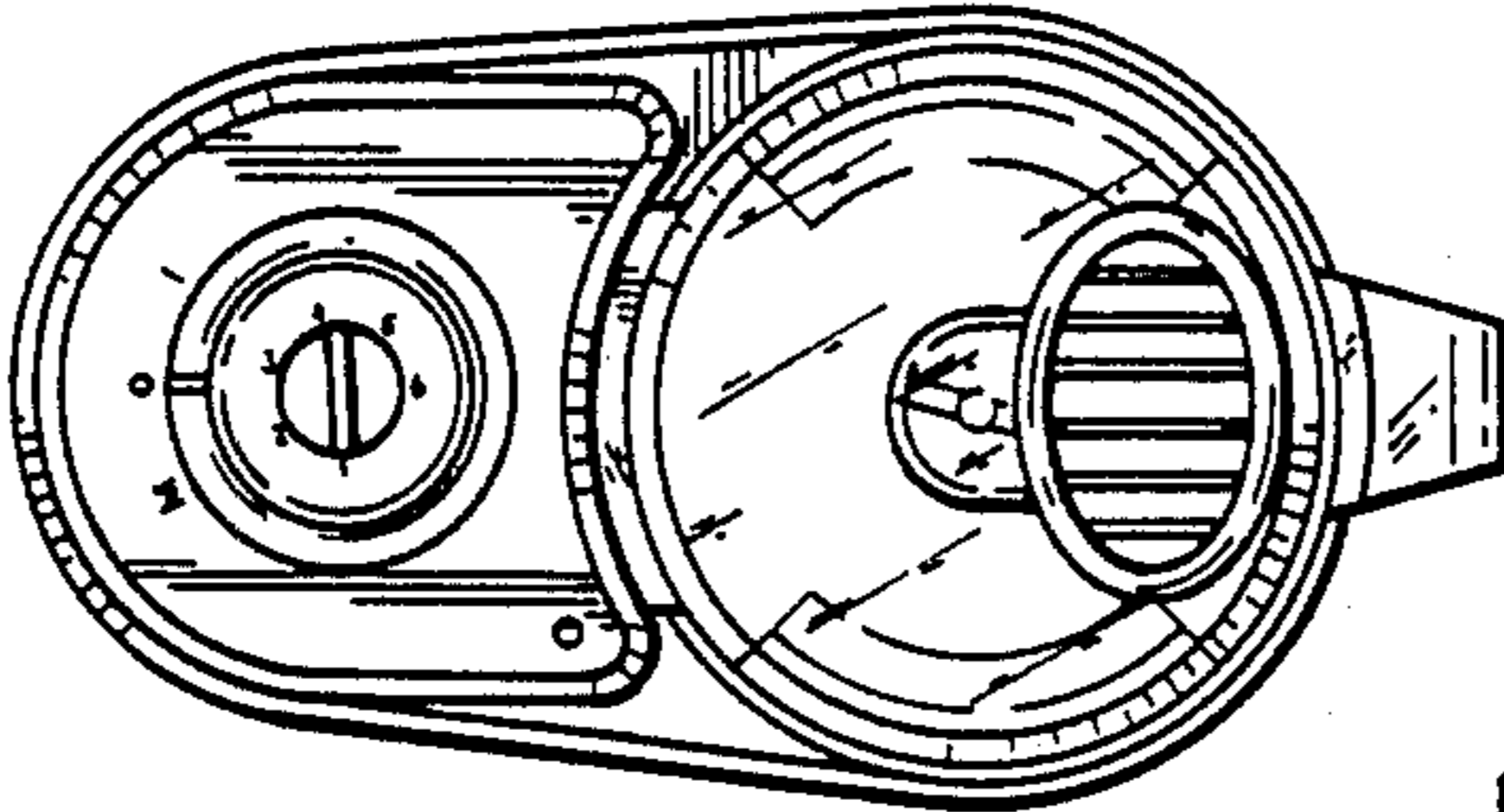


FIG. 4

FIG. 5

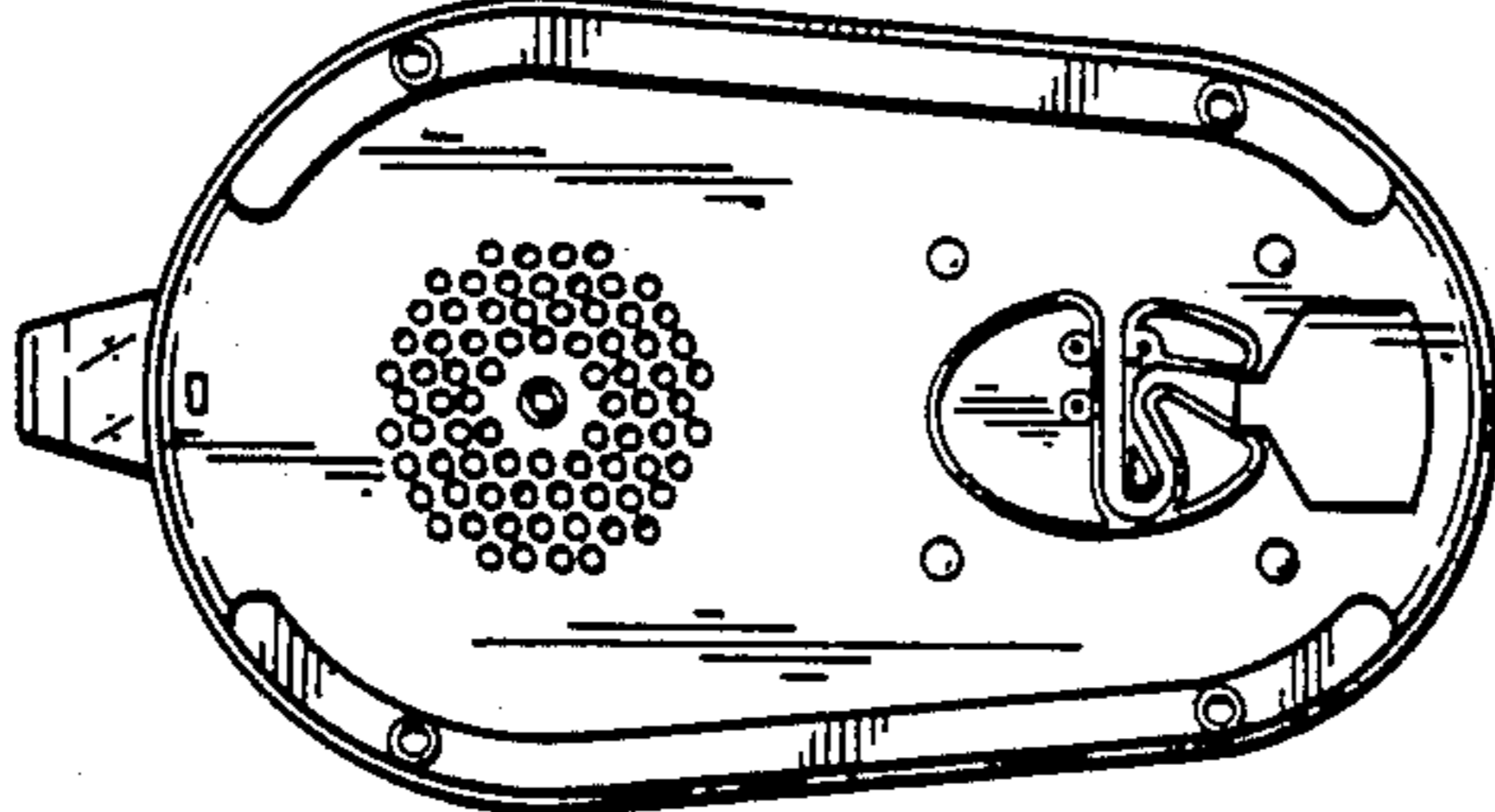


FIG. 6

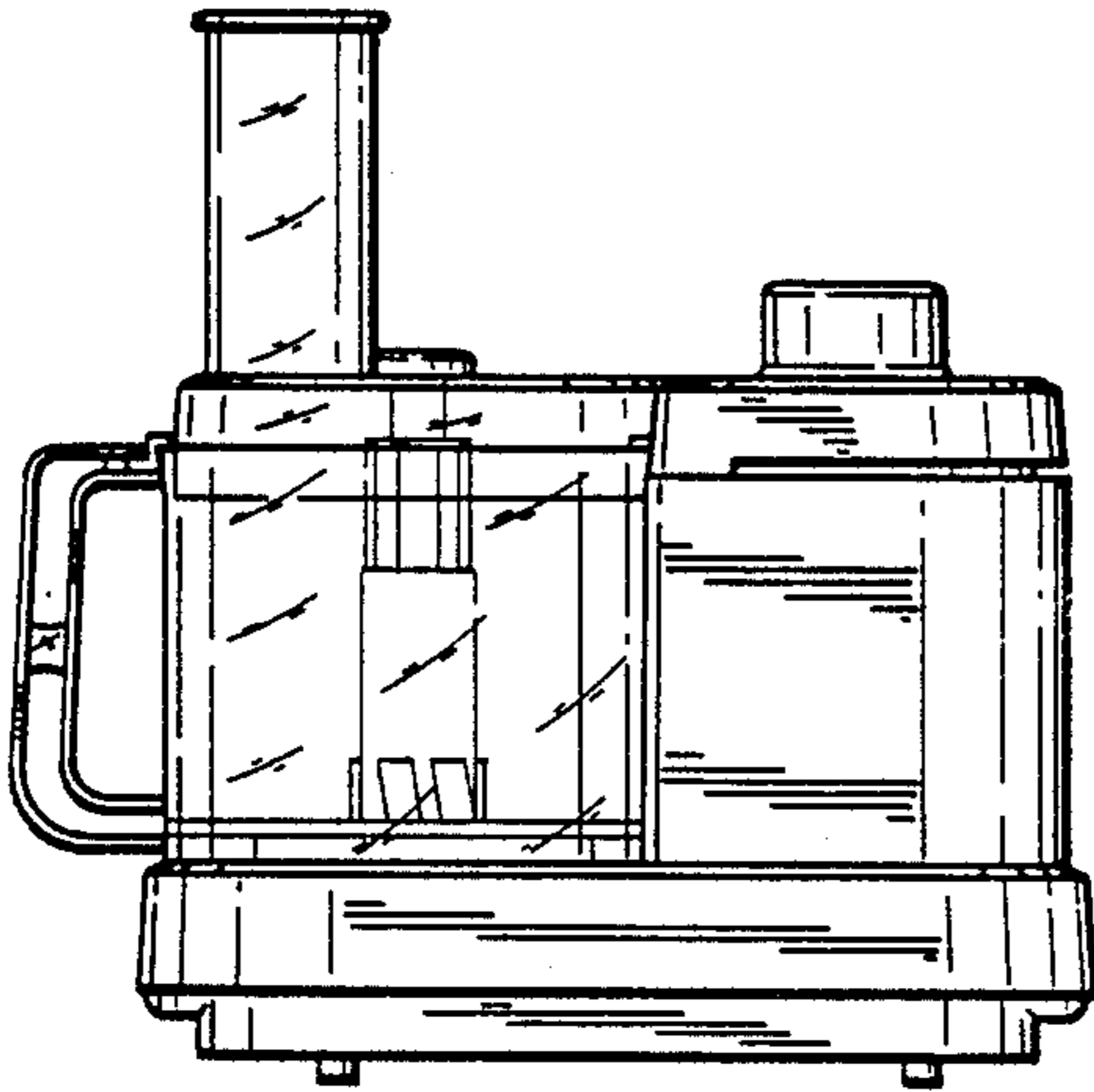


FIG. 7

