

[54] **TOASTER OVEN**

4,476,848 10/1984 Protas 126/19 M

[76] **Inventor:** Mitsugu Ooki, 22-22, Nagaike-cho,
Abeno-ku, Osaka, Japan

Primary Examiner—Wallace R. Burke
Assistant Examiner—Ruth Takemoto
Attorney, Agent, or Firm—Flehr, Hohbach, Test,
Albritton and Herbert

[**] **Term:** 14 Years

[21] **Appl. No.:** 703,876

[22] **Filed:** Feb. 21, 1985

[57] **CLAIM**

The ornamental design for an toaster oven, as shown
and described.

[30] **Foreign Application Priority Data**

Aug. 21, 1984 [JP] Japan 59-35035

[52] **U.S. Cl.** D7/350

[58] **Field of Search** D7/350, 351, 339, 349;
219/391, 393; 126/273 R, 19 M, 275 E

DESCRIPTION

FIG. 1 is a perspective view of the toaster oven show-
ing my new design;

FIG. 2 is a front elevational view thereof with the door
open;

FIG. 3 is a rear elevational view thereof;

FIG. 4 is a top plan view thereof;

FIG. 5 is a bottom plan view thereof;

FIG. 6 is a right side elevational view thereof; and

FIG. 7 is a left side elevational view thereof.

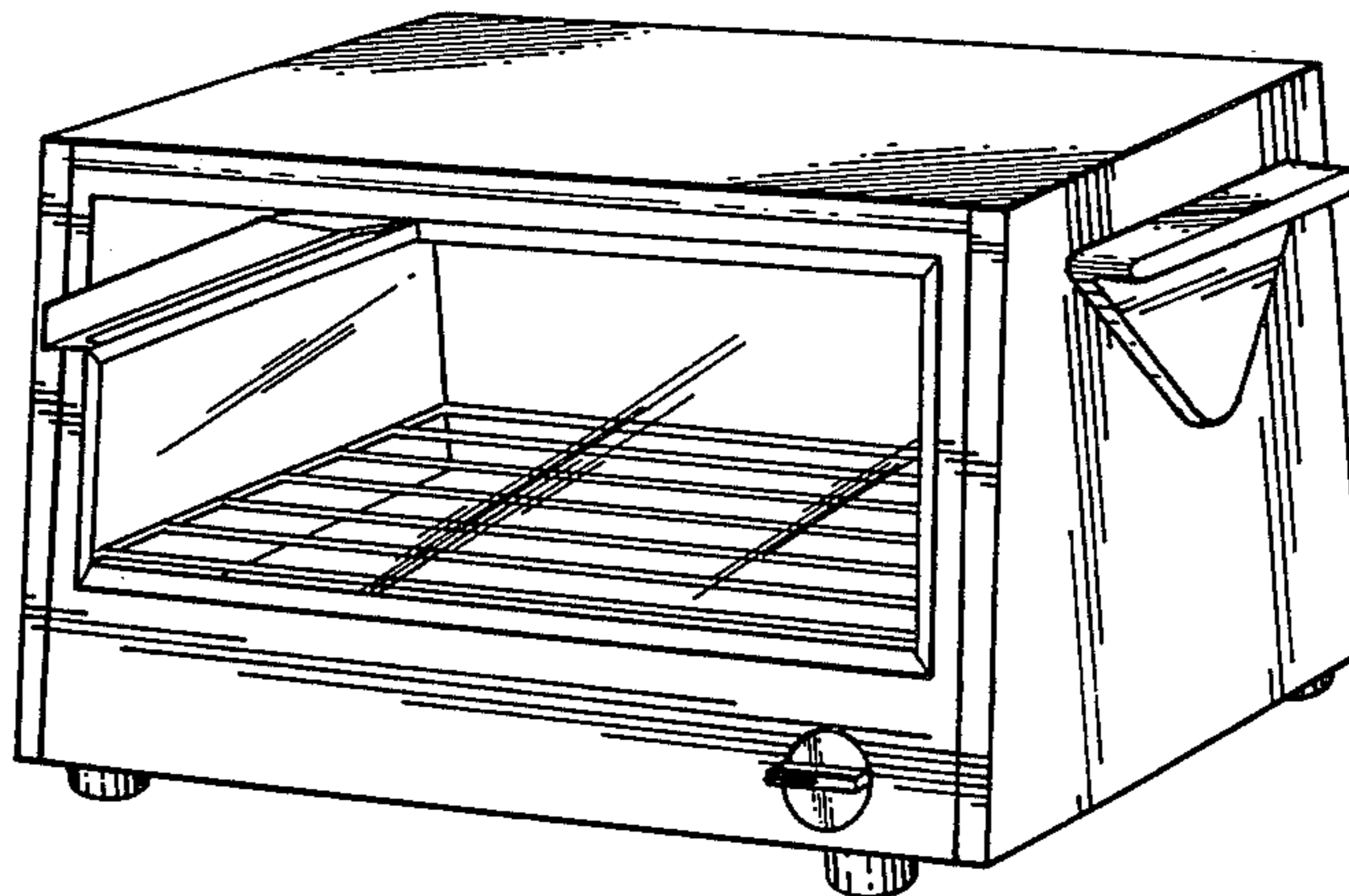
[56] **References Cited**

U.S. PATENT DOCUMENTS

D. 245,470 8/1977 Ernest D7/350

3,859,903 1/1975 Kipp D7/350

4,135,179 1/1979 Snyder 338/28



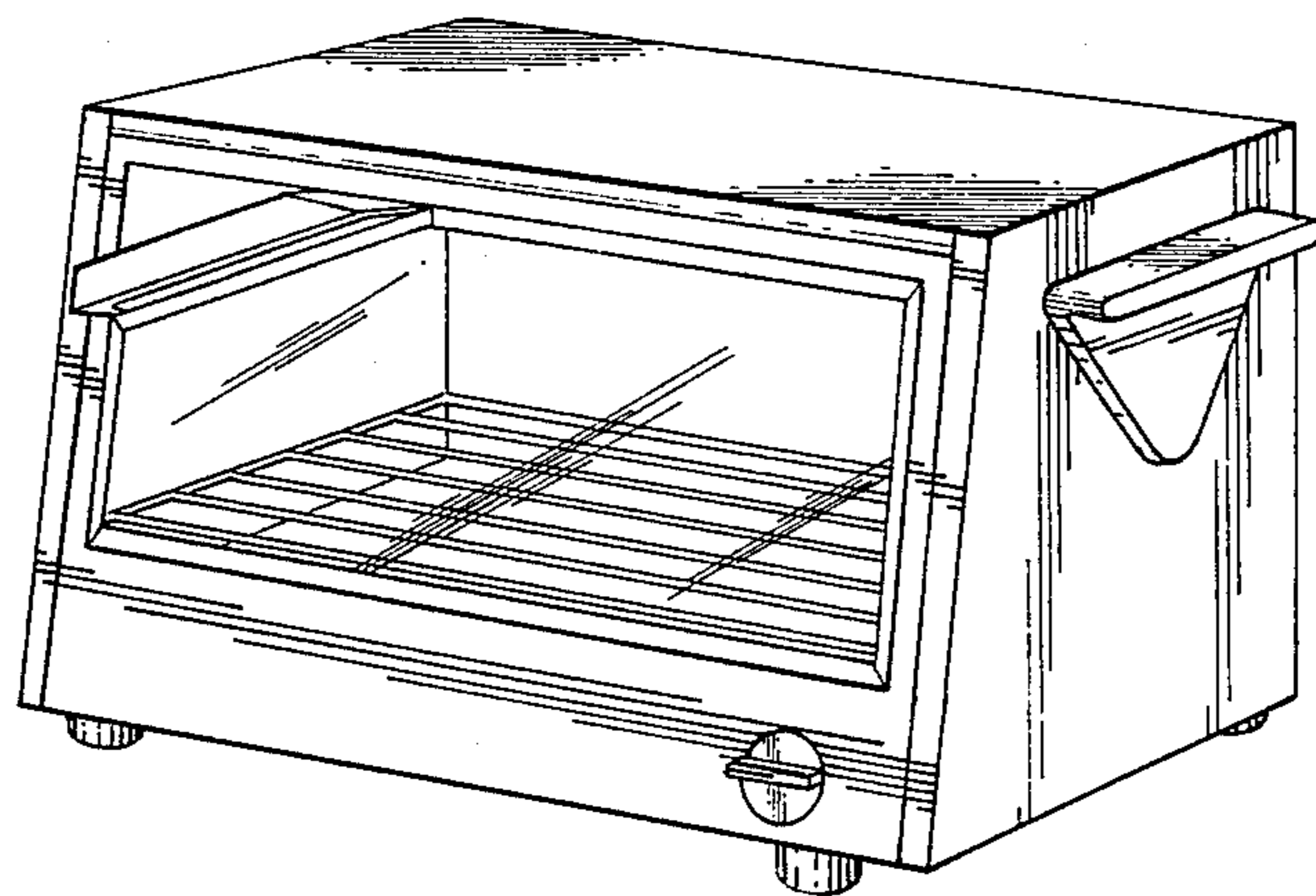


FIG. 1

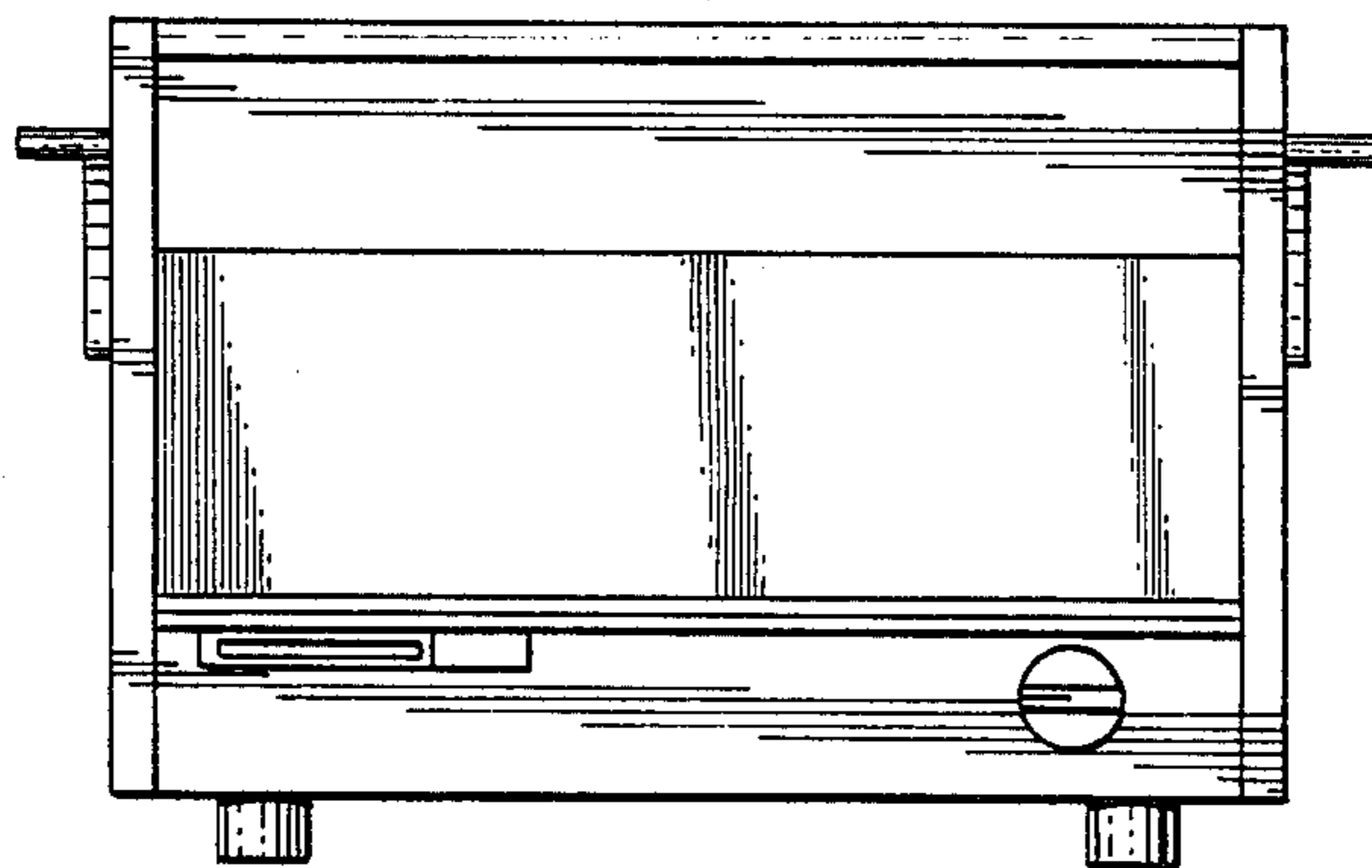


FIG. 2

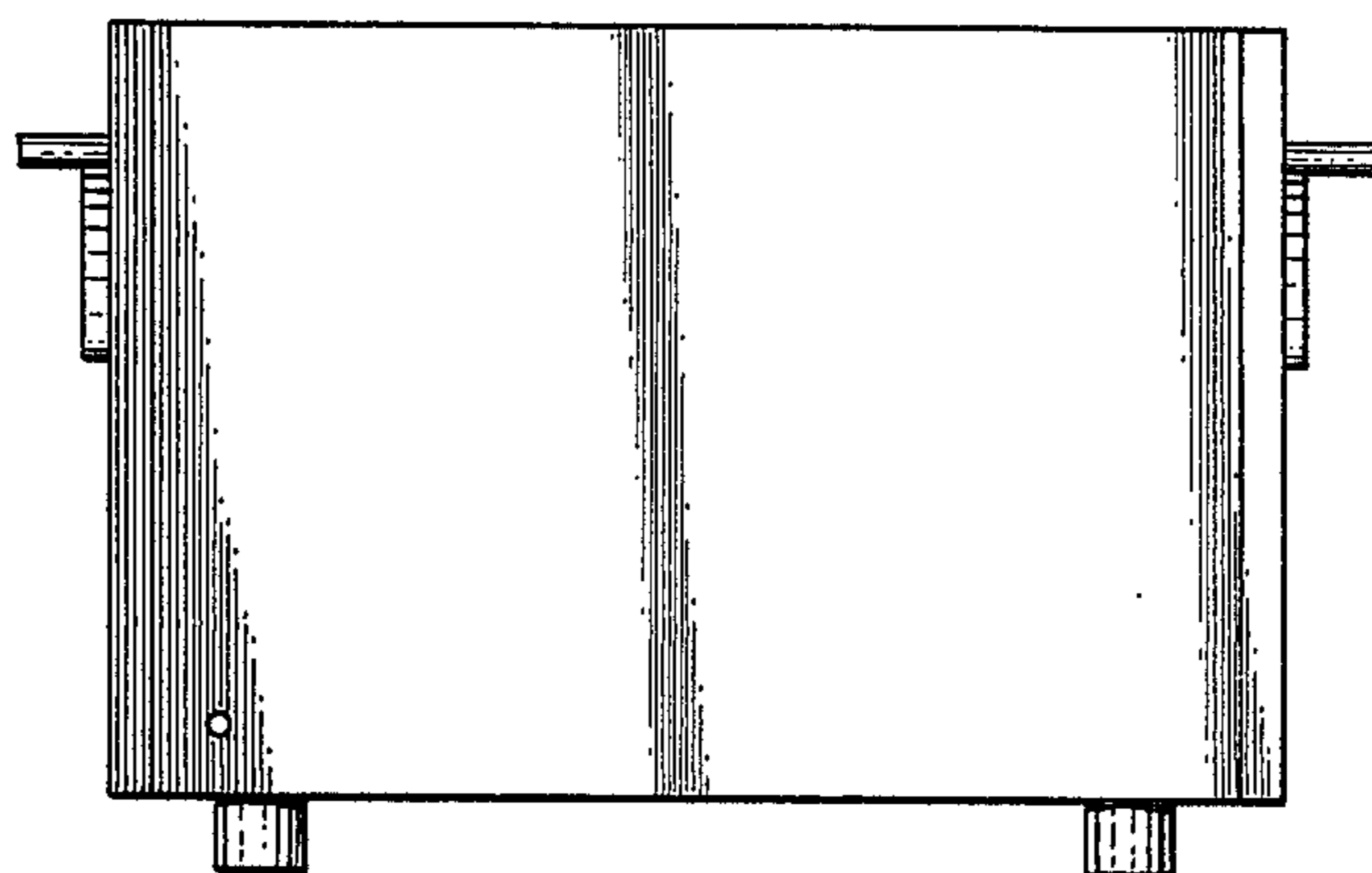


FIG. 3

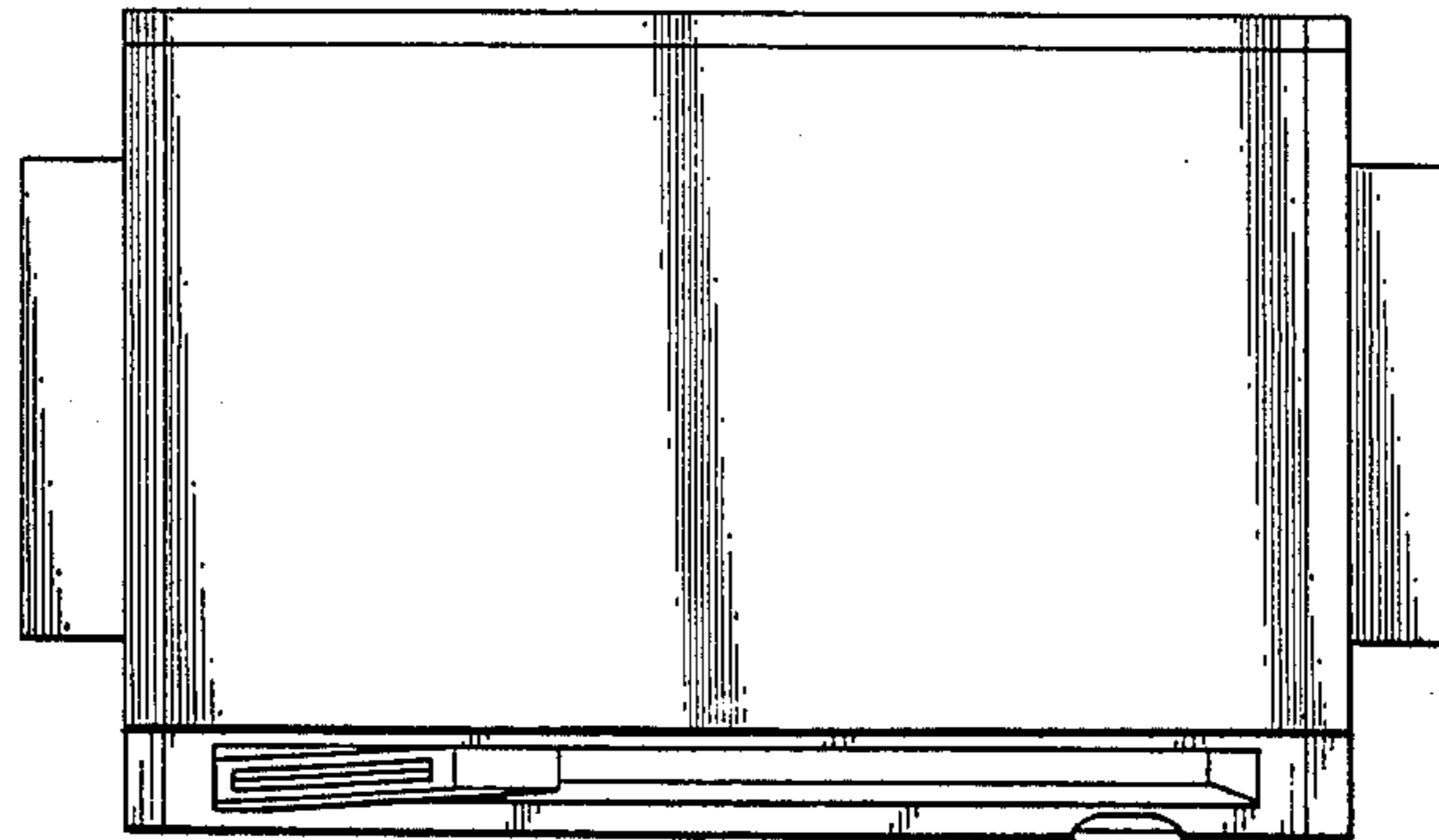


FIG. 4

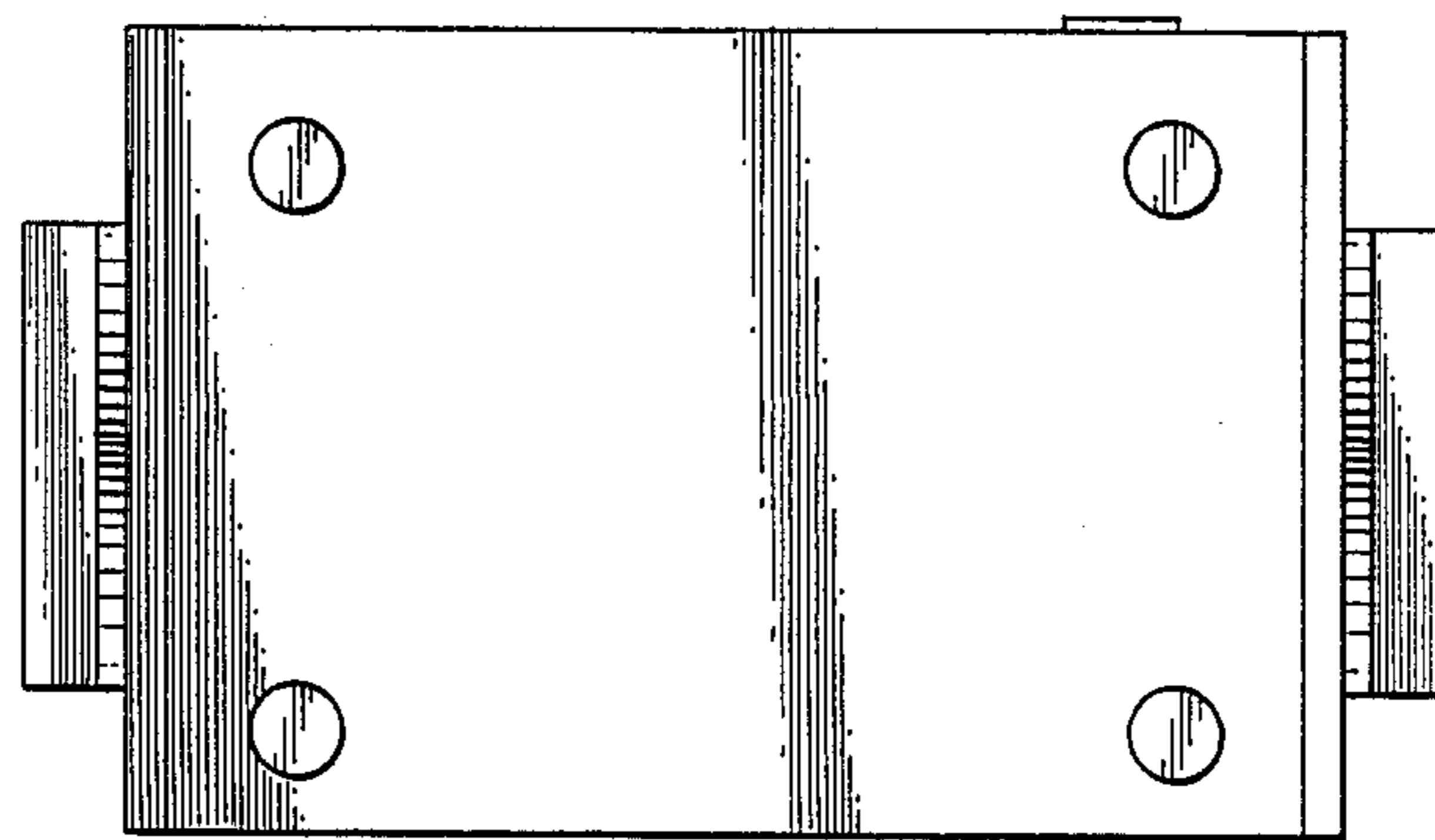


FIG. 5

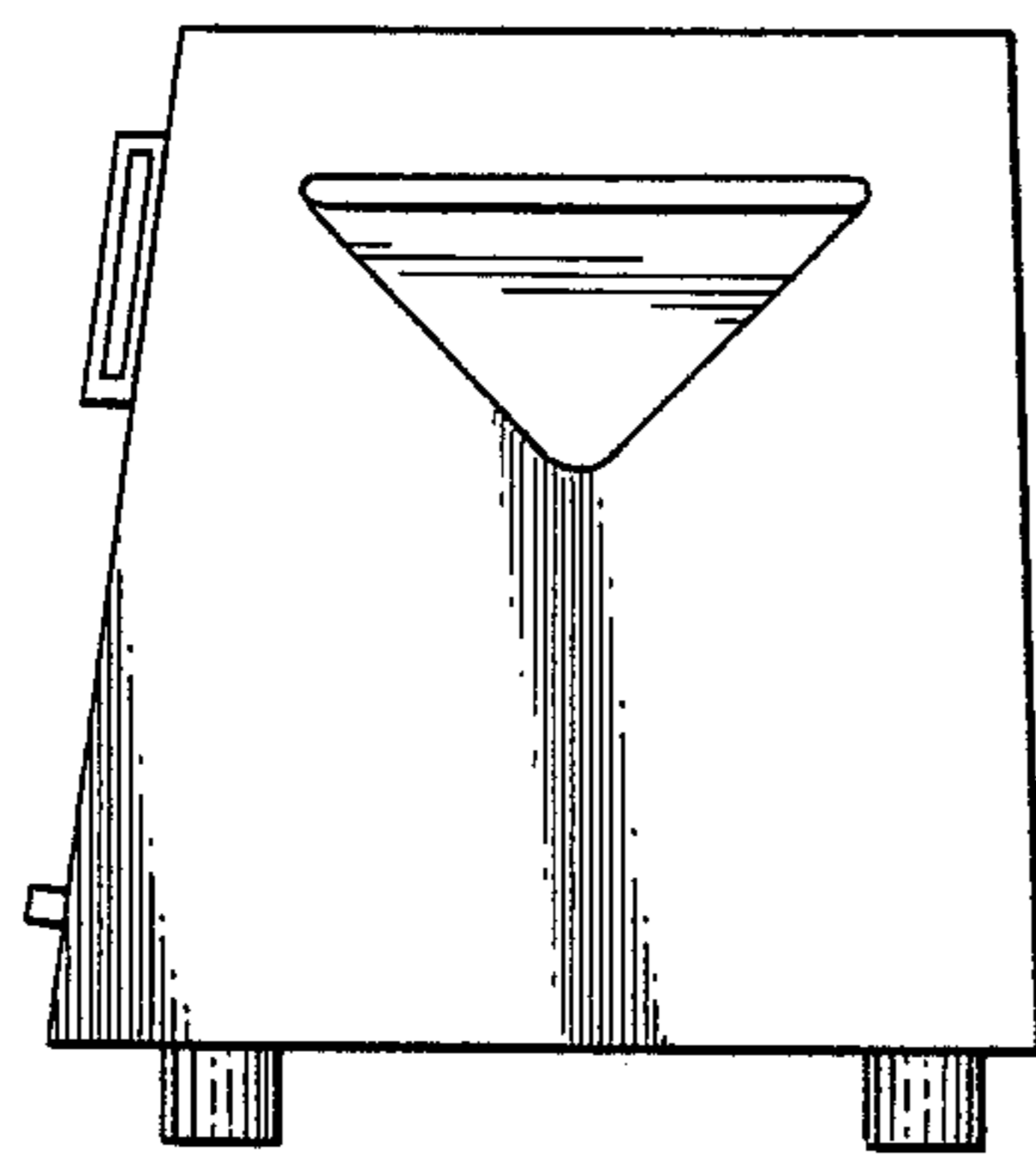


FIG. 6

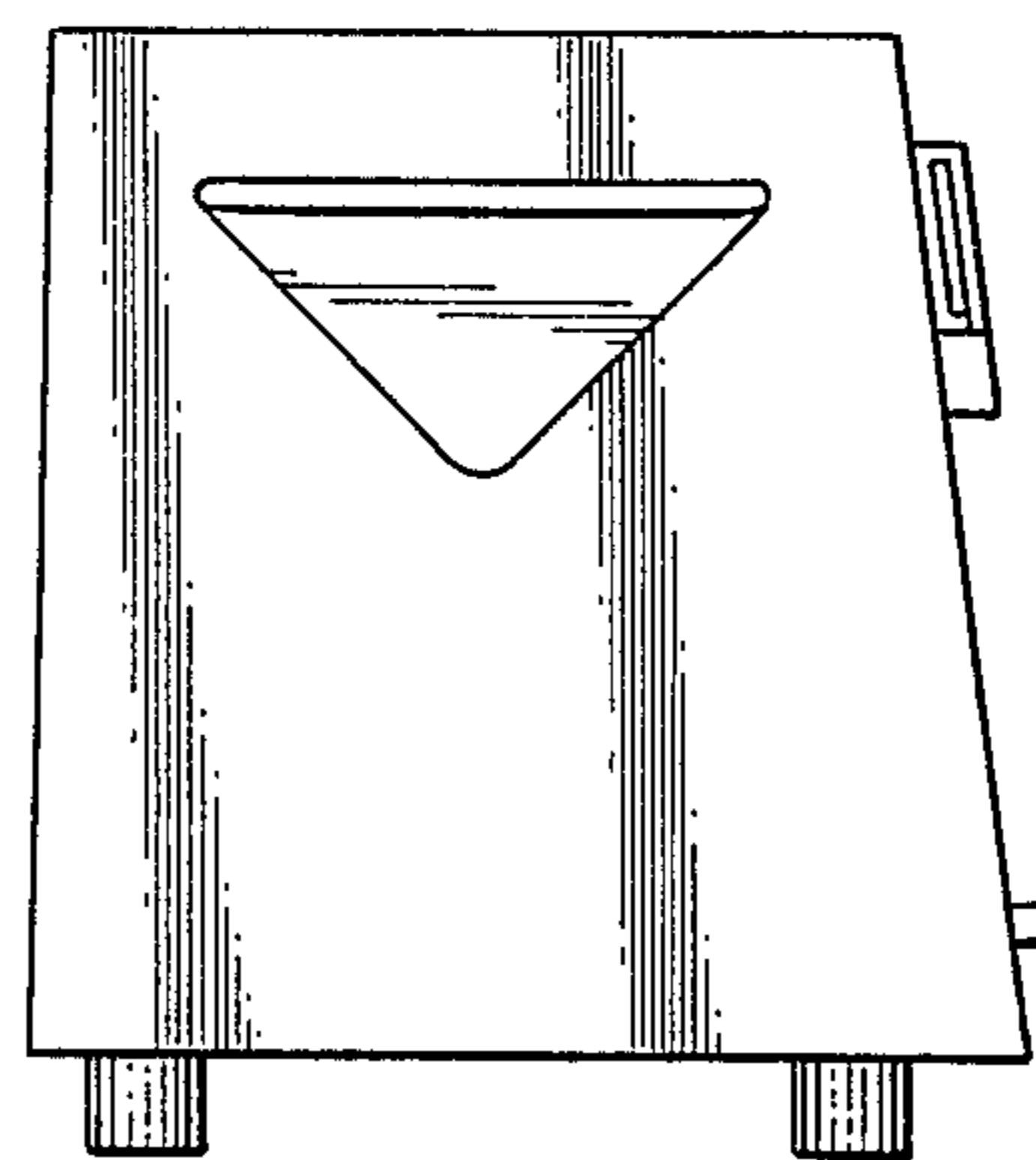


FIG. 7