

[54] COMMUNION CUP DISPENSER OR SIMILAR ARTICLE

[75] Inventor: Burt K. Todd, Foxley Farm, Pa.

[73] Assignee: Kerr-Hays Company, Ligonier, Pa.

[**] Term: 14 Years

[21] Appl. No.: 769,723

[22] Filed: Aug. 23, 1985

[52] U.S. Cl. D6/516

[58] Field of Search D6/512, 515, 516, 553; 211/13, 49.1, 86-87; 221/92, 191, 194, 281-283, 287

[56] References Cited

U.S. PATENT DOCUMENTS

- D. 194,625 2/1963 Metzler et al. D6/516
- D. 226,780 4/1973 Thompson et al. D6/516
- D. 241,205 8/1976 Halsted et al. D6/516

D. 284,821 7/1986 Blom D6/516

Primary Examiner—Wallace R. Burke
Assistant Examiner—Brian N. Vinson
Attorney, Agent, or Firm—Parmelee, Miller, Welsh & Kratz

[57] CLAIM

The ornamental design for a communion cup dispenser or similar article, as shown and described.

DESCRIPTION

FIG. 1 is a right side elevational view of a communion cup dispenser or similar article showing my new design, with the undisclosed left side being a mirror image and the broken-line showing of the cup being for illustrative purposes only and forming no part of the claimed design;

FIG. 2 is a rear elevational view thereof;

FIG. 3 is a bottom plan view thereof;

FIG. 4 is a top plan view thereof; and,

FIG. 5 is a front elevational view thereof.

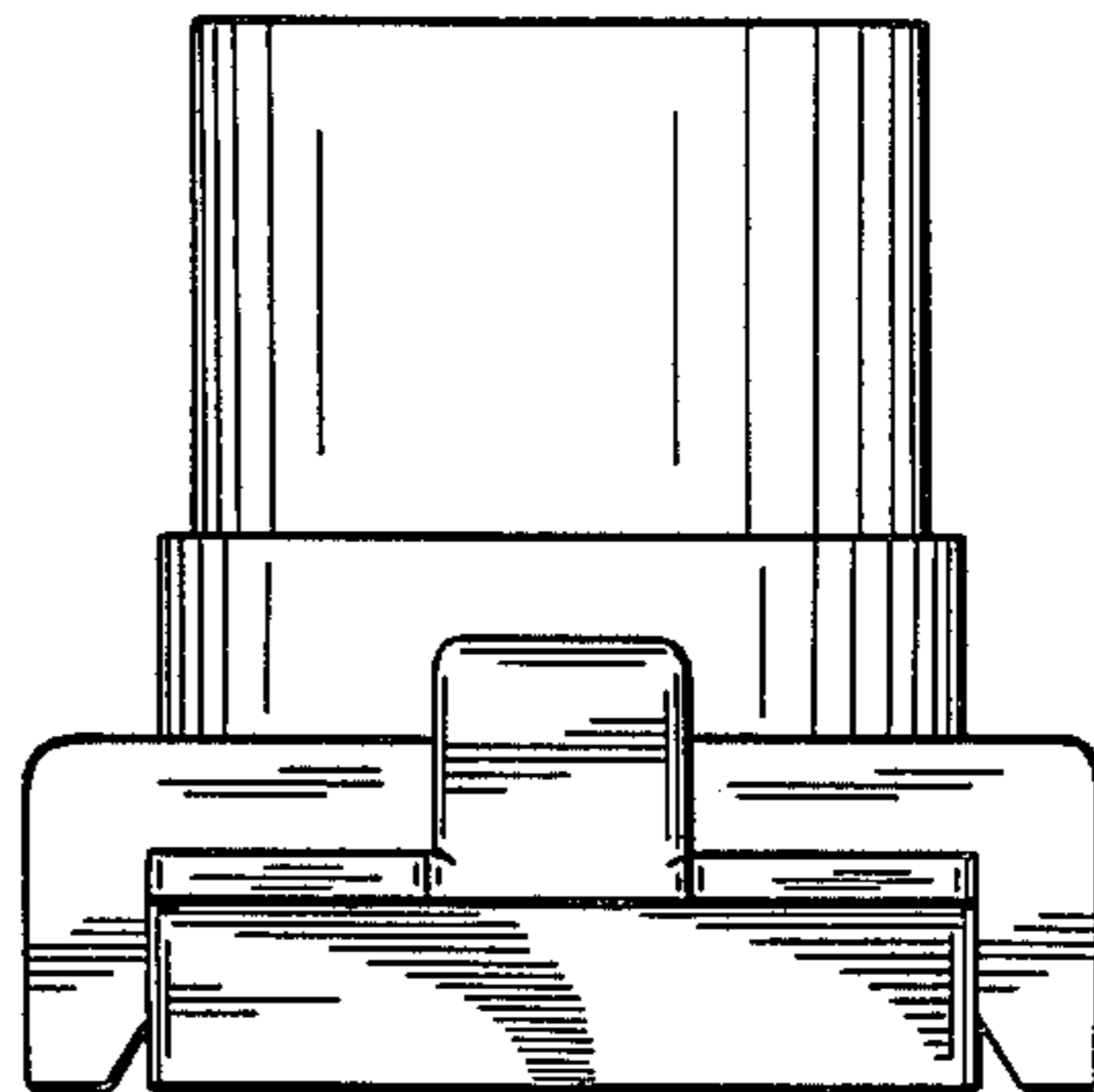
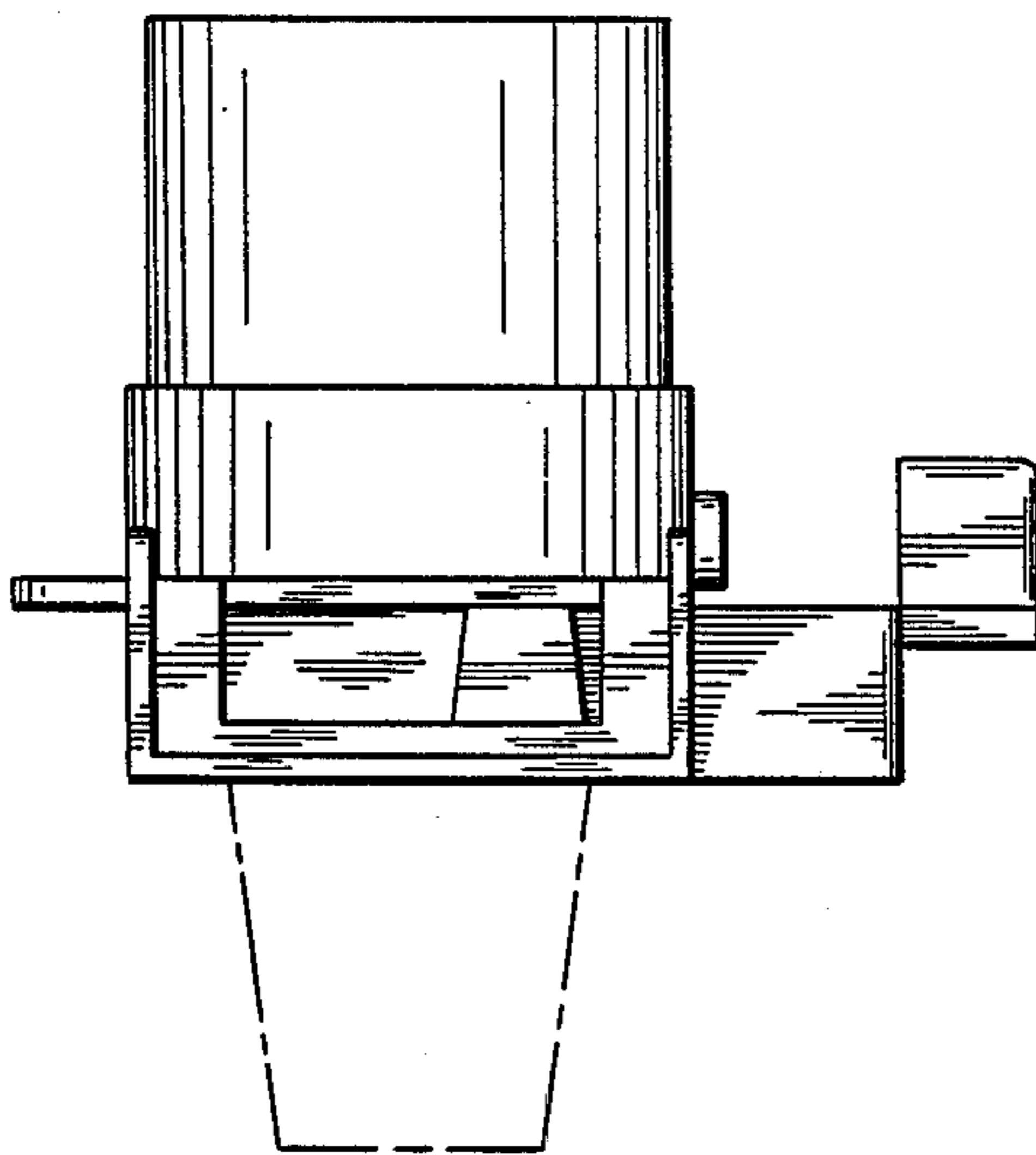


FIG-1

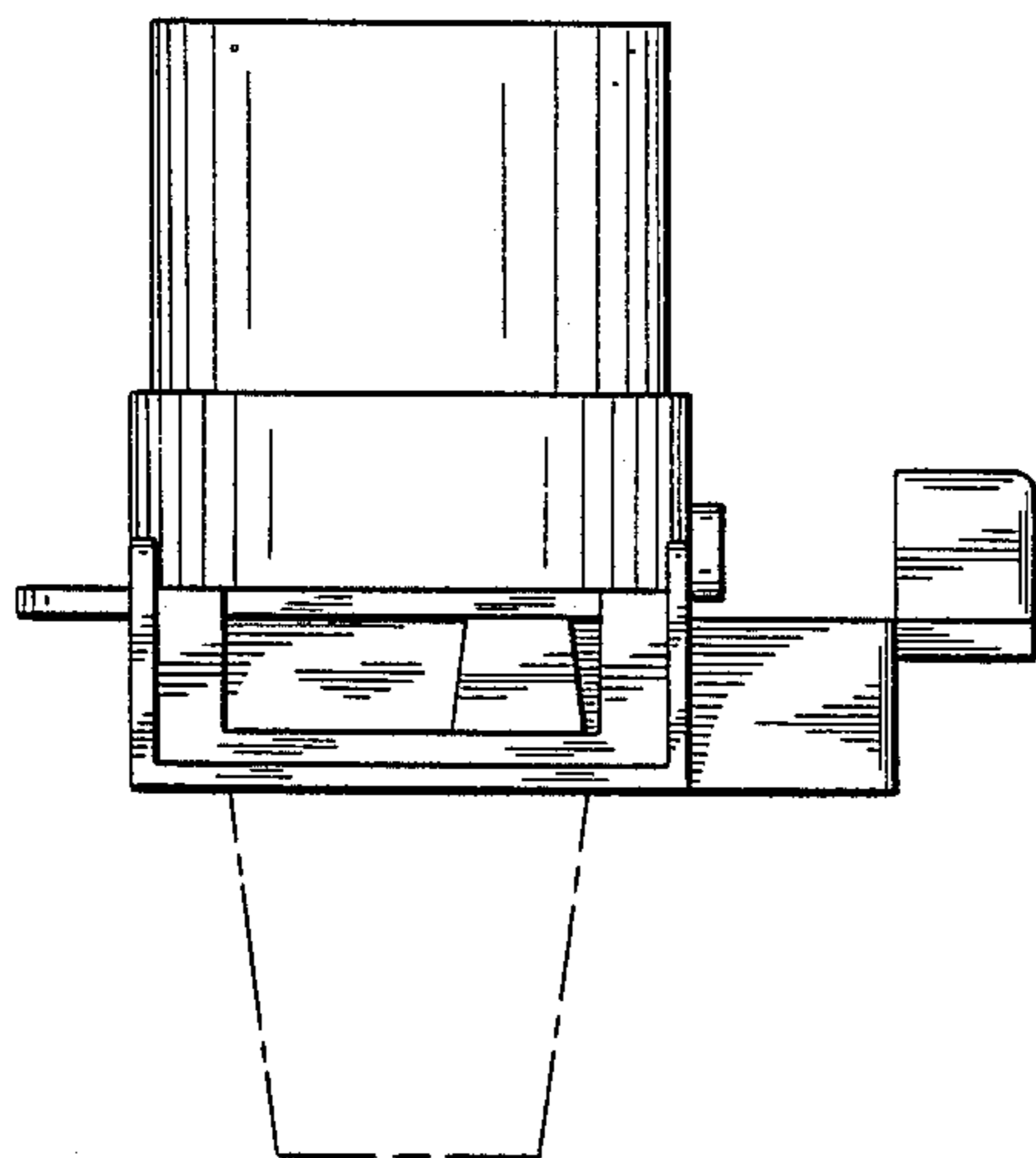


FIG-2

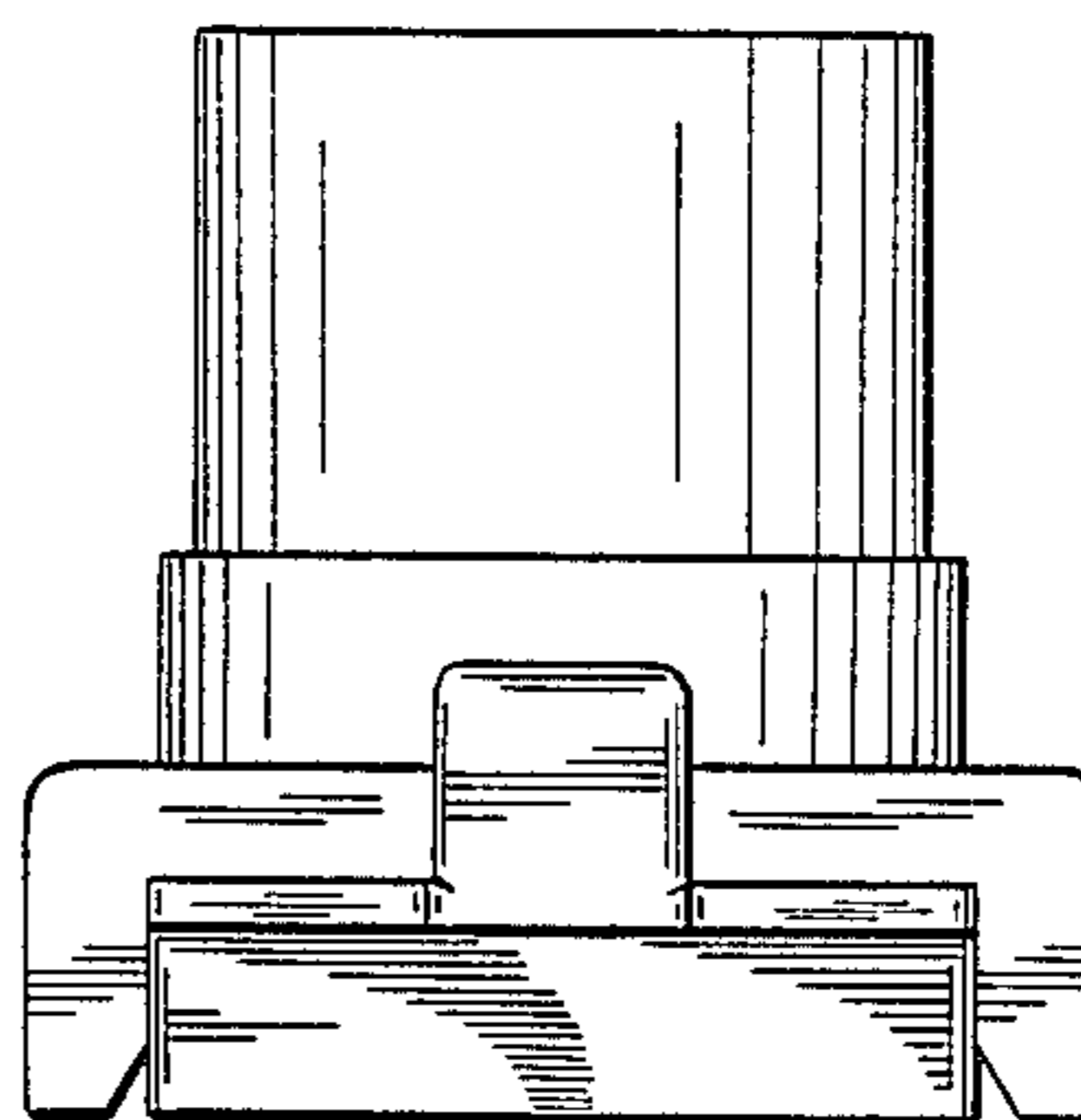


FIG-3

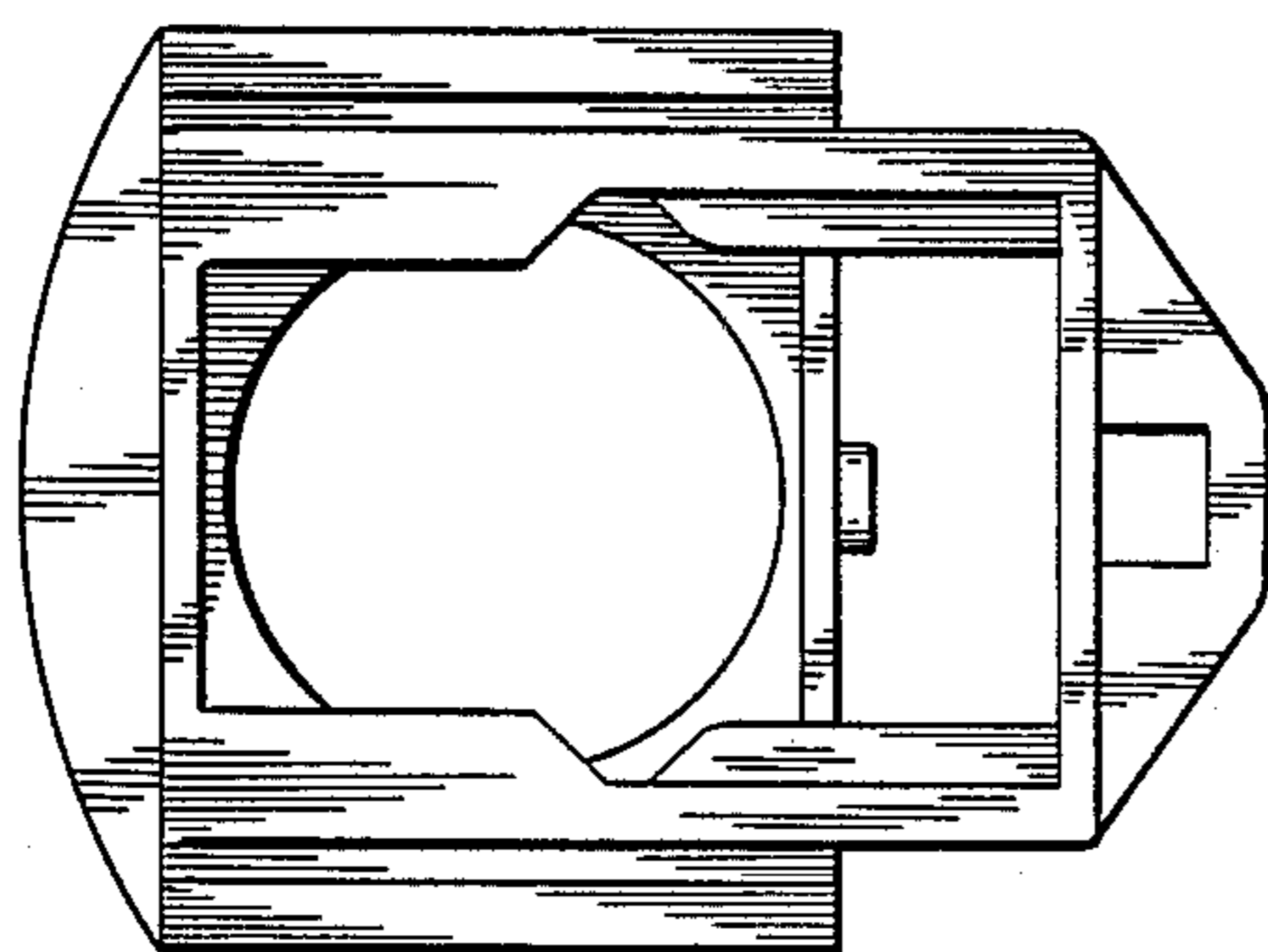


FIG-4

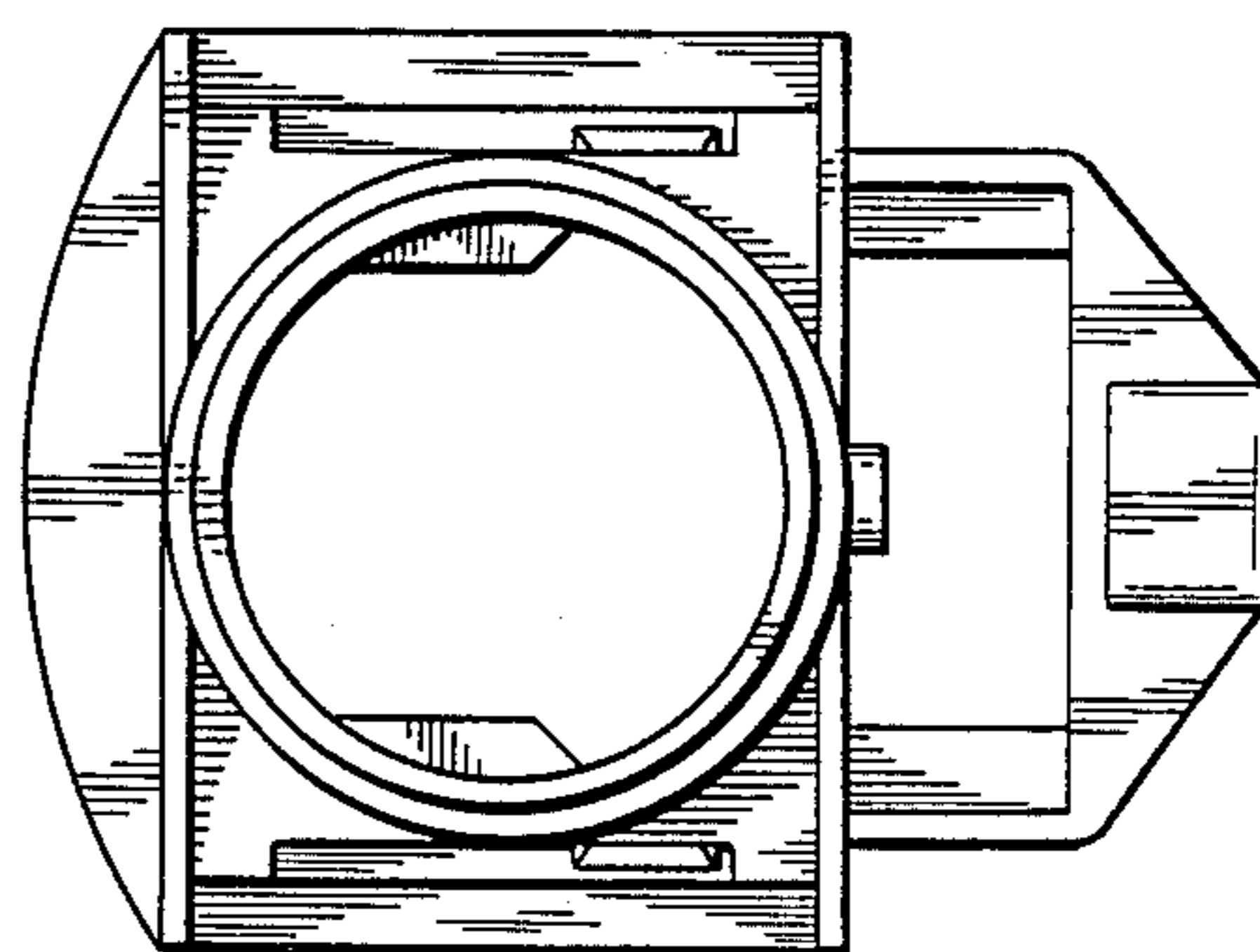


FIG-5

