

[54] **DESK TOP SUPPORT STAND FOR COMPUTER EQUIPMENT**

[75] **Inventors: Albert F. Buchweitz, Jr., Wheeling; Bruce Heggeland, Palatine, both of Ill.**

[73] **Assignee: IPD Innovative Plastic Designs Inc., Wheeling, Ill.**

[**] **Term: 14 Years**

[21] **Appl. No.: 758,300**

[22] **Filed: Jul. 24, 1985**

[52] **U.S. Cl. D6/449; D6/511**

[58] **Field of Search D18/23; D6/449, 509, D6/510, 511; 248/459**

[56] **References Cited PUBLICATIONS**

Devoke Data Products, F & W 1984, p. 76; Printer Stand, bottom left of page.

*Primary Examiner—Carmen H. Vales
Attorney, Agent, or Firm—Lockwood, Alex, Fitzgibbon & Cummings*

[57] **CLAIM**

The ornamental design for a desk top support stand for computer equipment, as shown and described.

DESCRIPTION

FIG. 1 is a perspective view of a desk top support stand for computer equipment showing our new design; FIG. 2 is a top plan view thereof; FIG. 3 is a front elevational view thereof; FIG. 4 is a side elevational view thereof; FIG. 5 is a rear elevational view thereof; and FIG. 6 is a bottom plan view thereof.

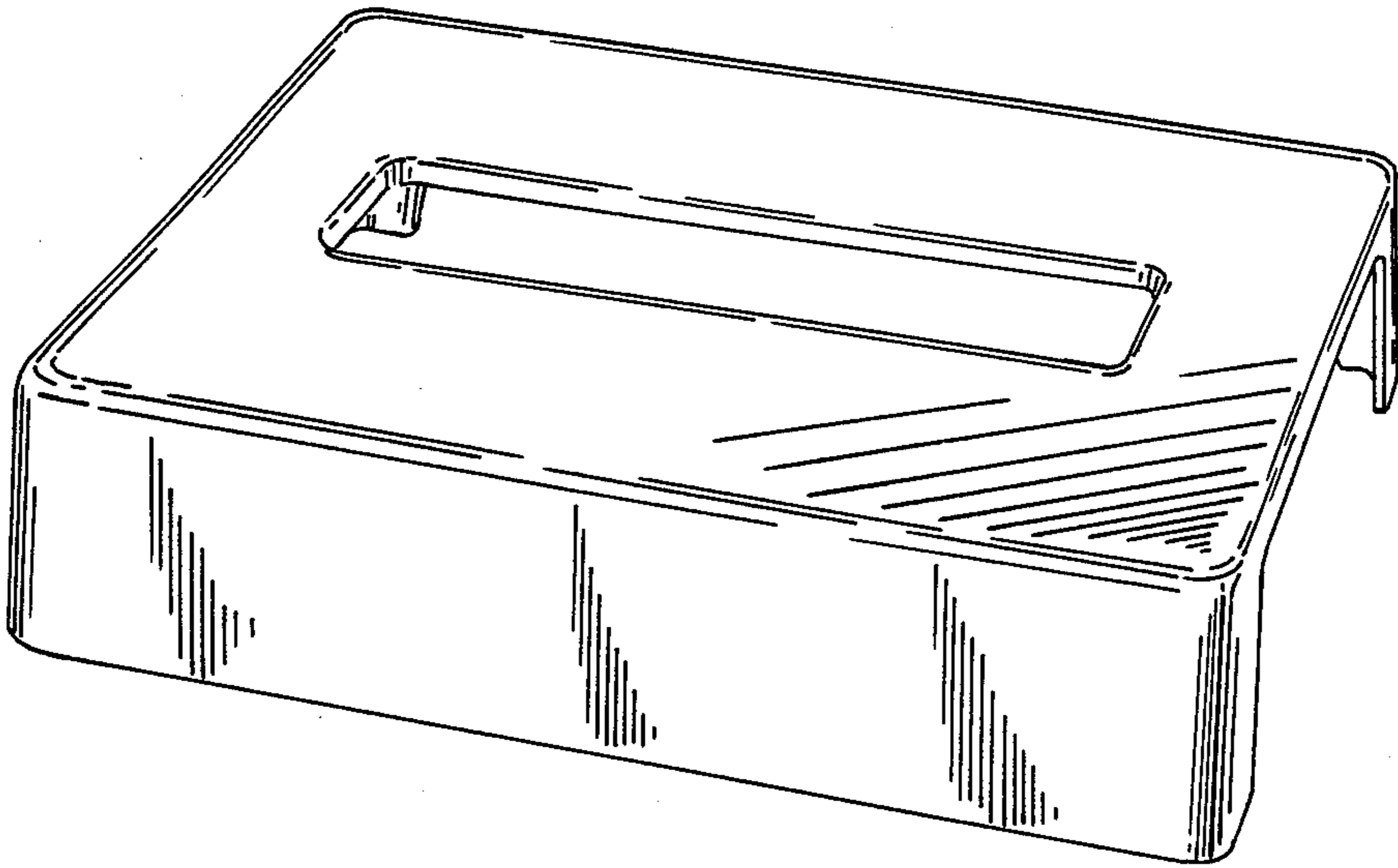


FIG. 1

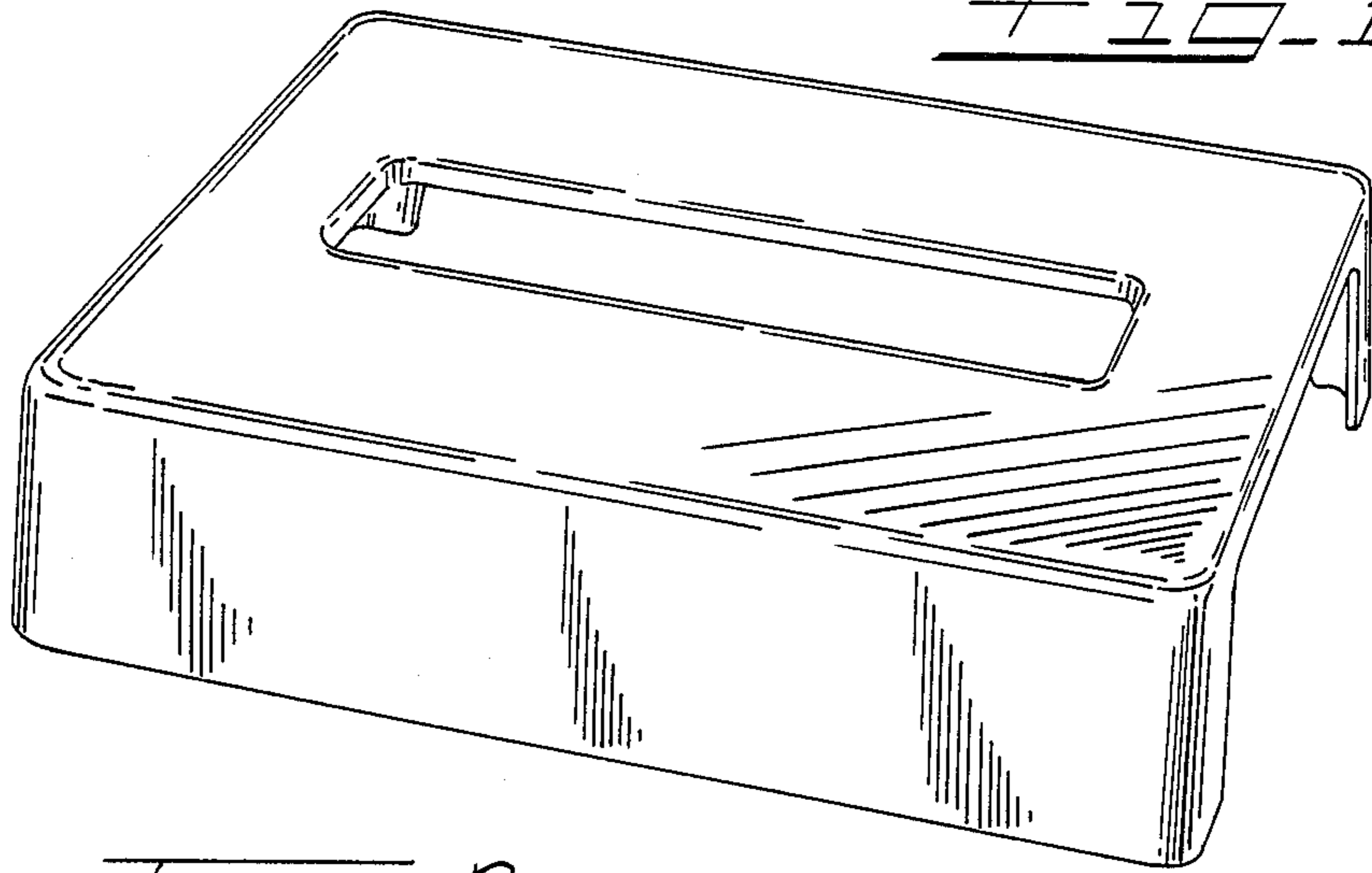


FIG. 2

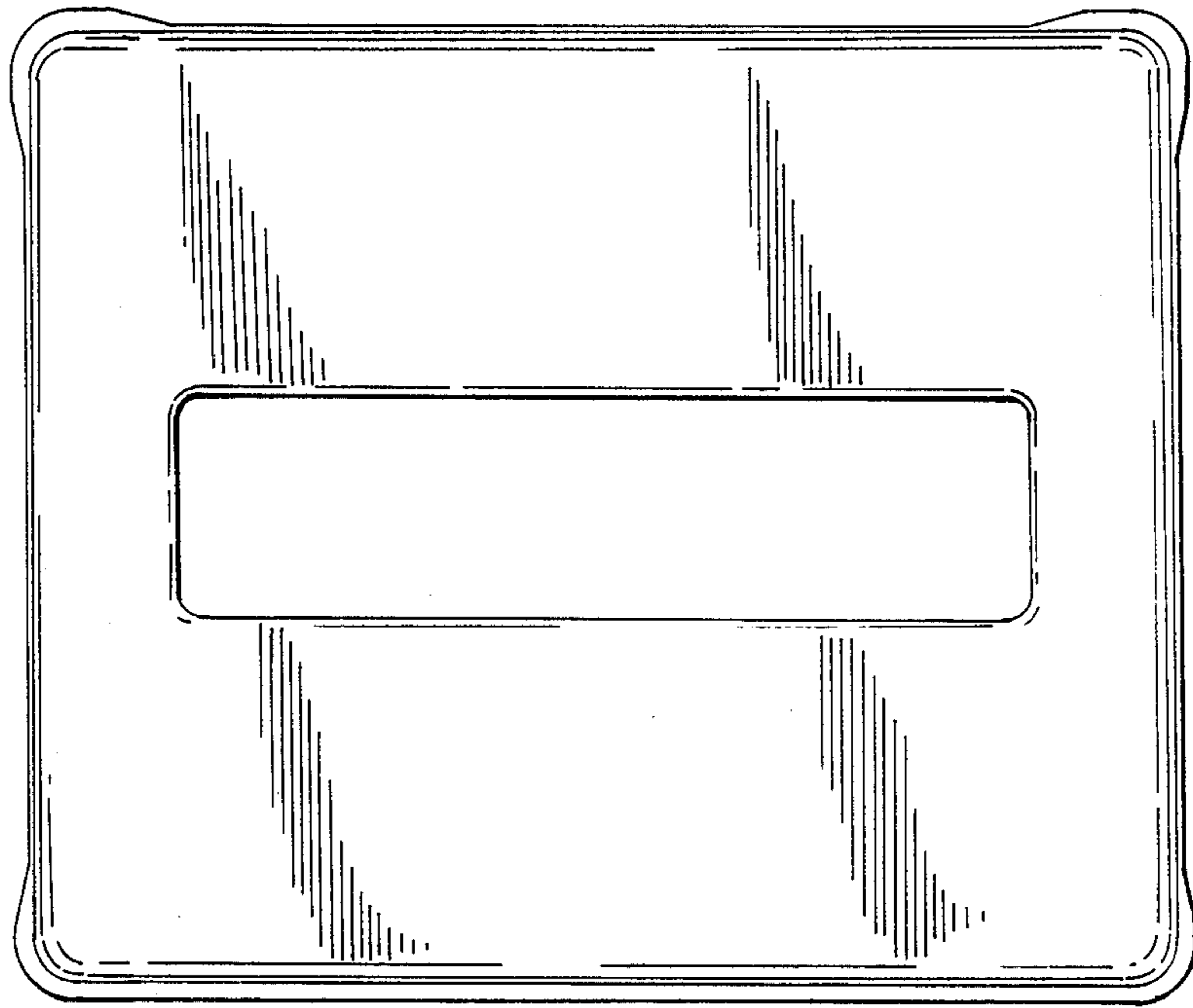


FIG. 3

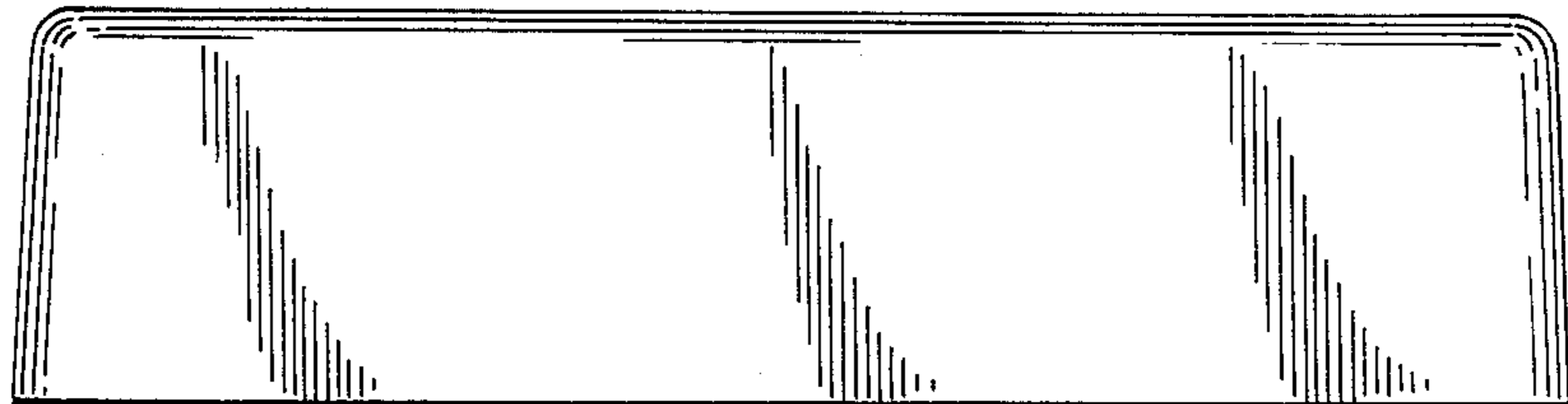


FIG. 4

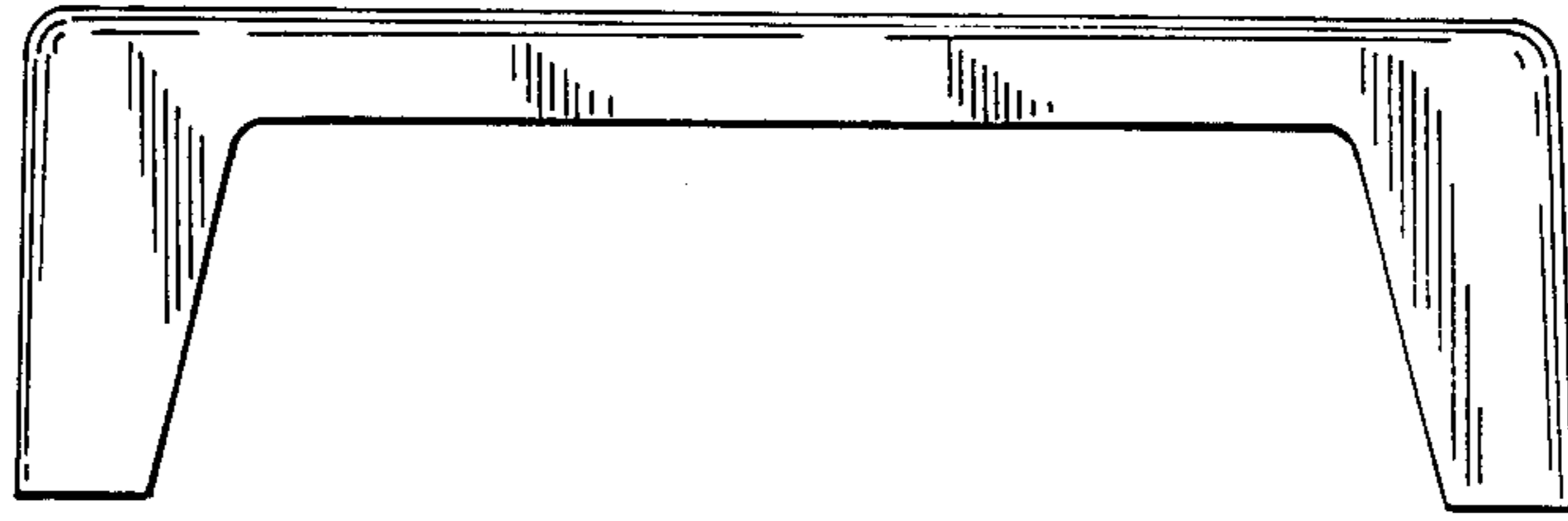


FIG. 5

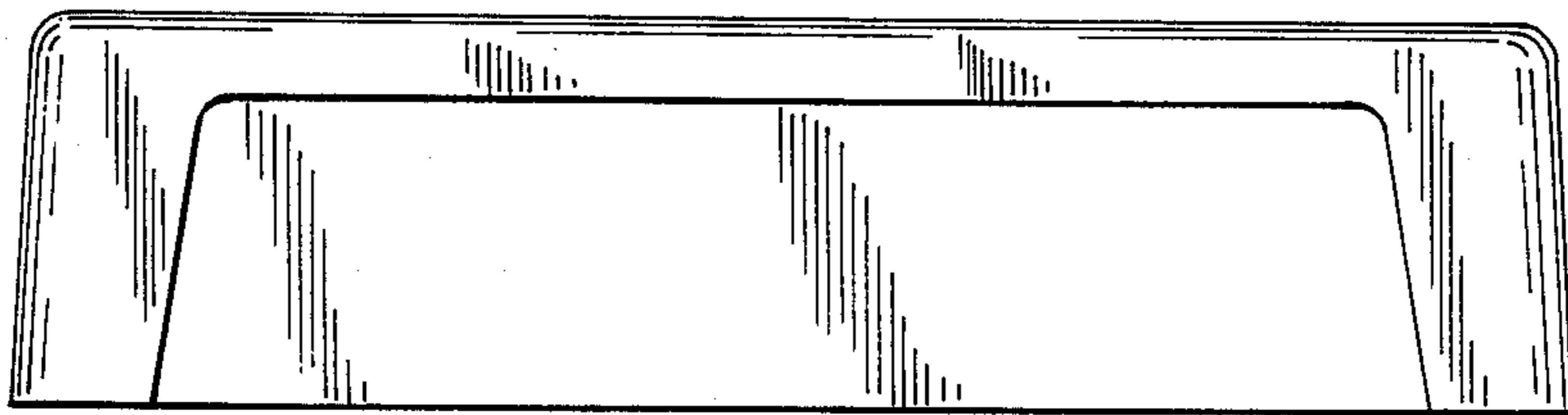


FIG. 6

