

[54] ADJUSTABLE SUPPORT TABLE FOR A KEYBOARD

[75] Inventor: James O. Kelley, Spring Lake, Mich.

[73] Assignee: Herman Miller, Inc., Zeeland, Mich.

[\*\*] Term: 14 Years

[21] Appl. No.: 862,394

[22] Filed: May 8, 1986

[52] U.S. Cl. .... D6/420; D6/419; D6/429; D6/486

[58] Field of Search ..... D6/419, 420, 429, 430, D6/480, 486

[56] References Cited

U.S. PATENT DOCUMENTS

D. 132,166	4/1942	Cloutier .....	D6/420
D. 184,996	4/1959	Goldstein et al. ....	D6/420 X
D. 236,045	7/1975	Petrie .....	D6/420
D. 236,775	9/1975	Cowley .....	D6/420
251,069	12/1881	Shaw .	
D. 270,588	9/1983	Kemple .....	D6/486
D. 280,478	9/1985	Stephens .	
D. 285,507	9/1986	Middlemist .....	D6/419
D. 288,099	2/1987	Abitz .....	D6/420 X
478,590	7/1892	Gould .	
1,121,698	12/1914	Weiss .	

3,358,620	12/1967	Parigi .	
3,543,282	11/1970	Sautereau .	
3,550,891	12/1970	Scott .	
3,854,428	12/1974	Fullenkamp .	
4,313,589	2/1982	Vega .....	248/558
4,350,098	9/1982	Shirano et al. .	
4,360,180	11/1982	Bruneau .	
4,365,561	12/1982	Tellier et al. .	
4,515,086	5/1985	Kwiececinski et al. .	

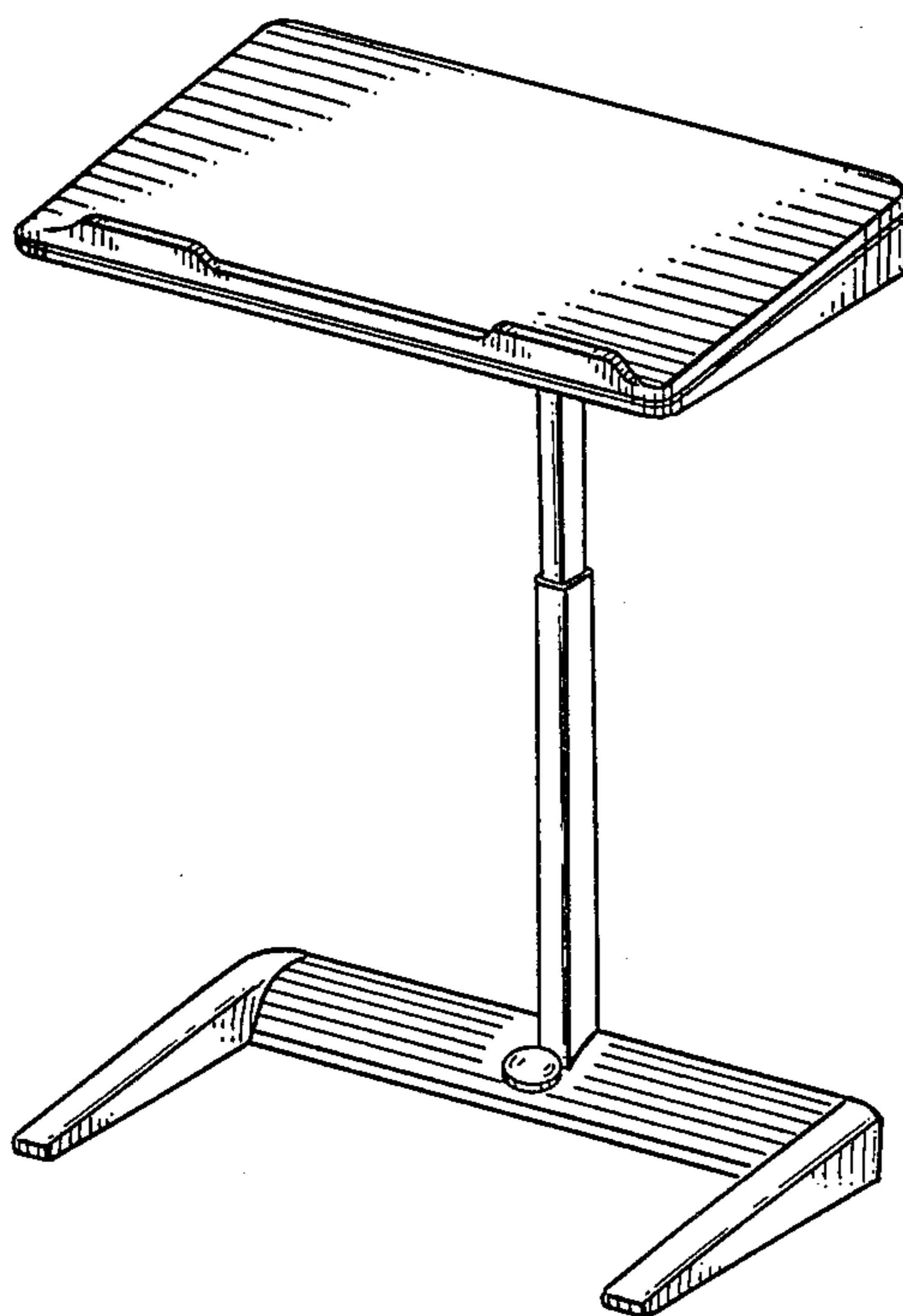
Primary Examiner—Bruce W. Dunkins  
Attorney, Agent, or Firm—Varnum, Riddering, Schmidt & Howlett

[57] CLAIM

The ornamental design for an adjustable support table for a keyboard, as shown and described.

DESCRIPTION

FIG. 1 is a perspective view of an adjustable support table for a keyboard showing my design in raised position;  
FIG. 2 is a front elevational view;  
FIG. 3 is a rear elevational view;  
FIG. 4 is a right side elevational view, the left side being a mirror image thereof;  
FIG. 5 is a top plan view;  
FIG. 6 is a bottom plan view; and  
FIG. 7 is a perspective view showing the top in lowered position.



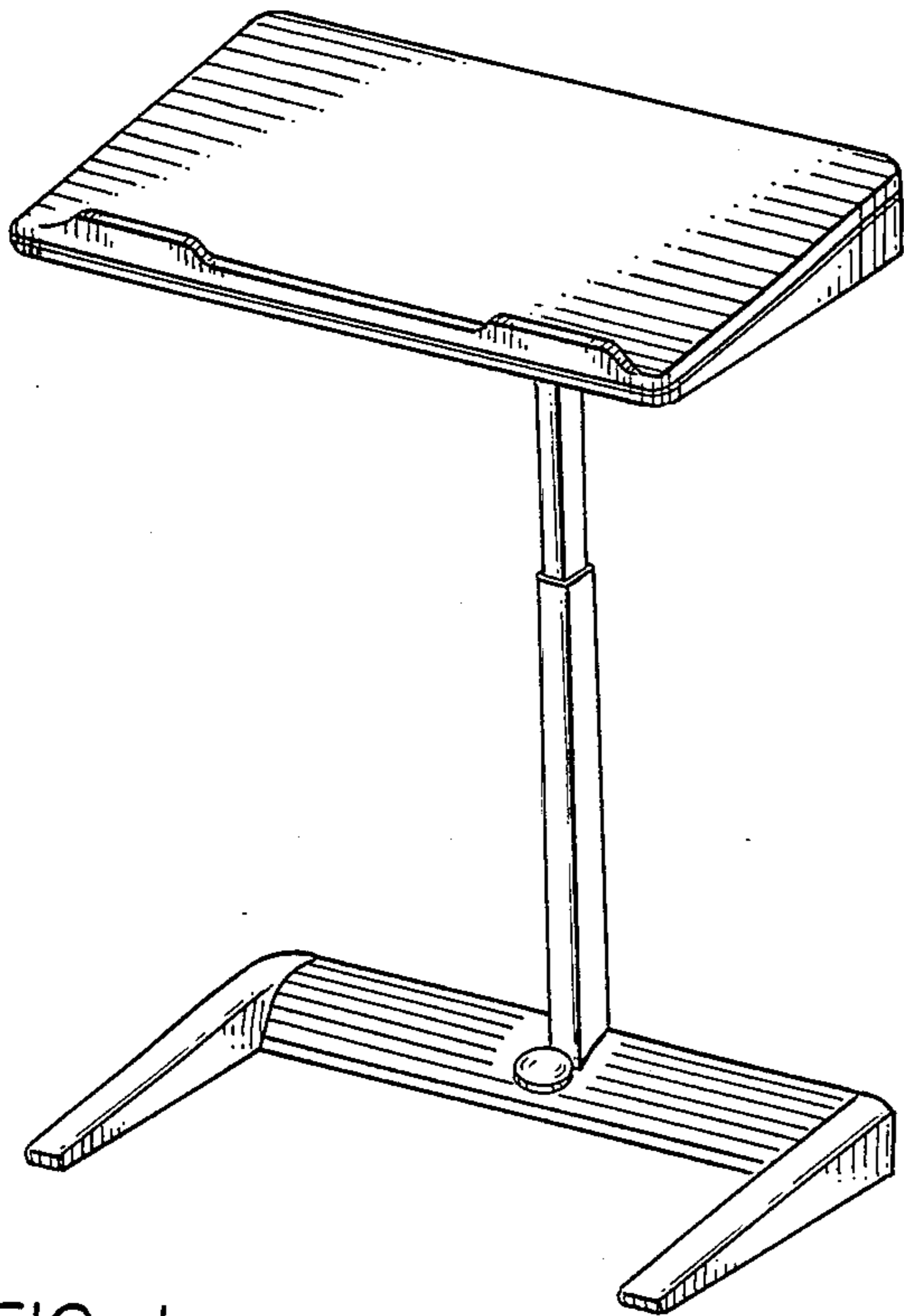


FIG. 1

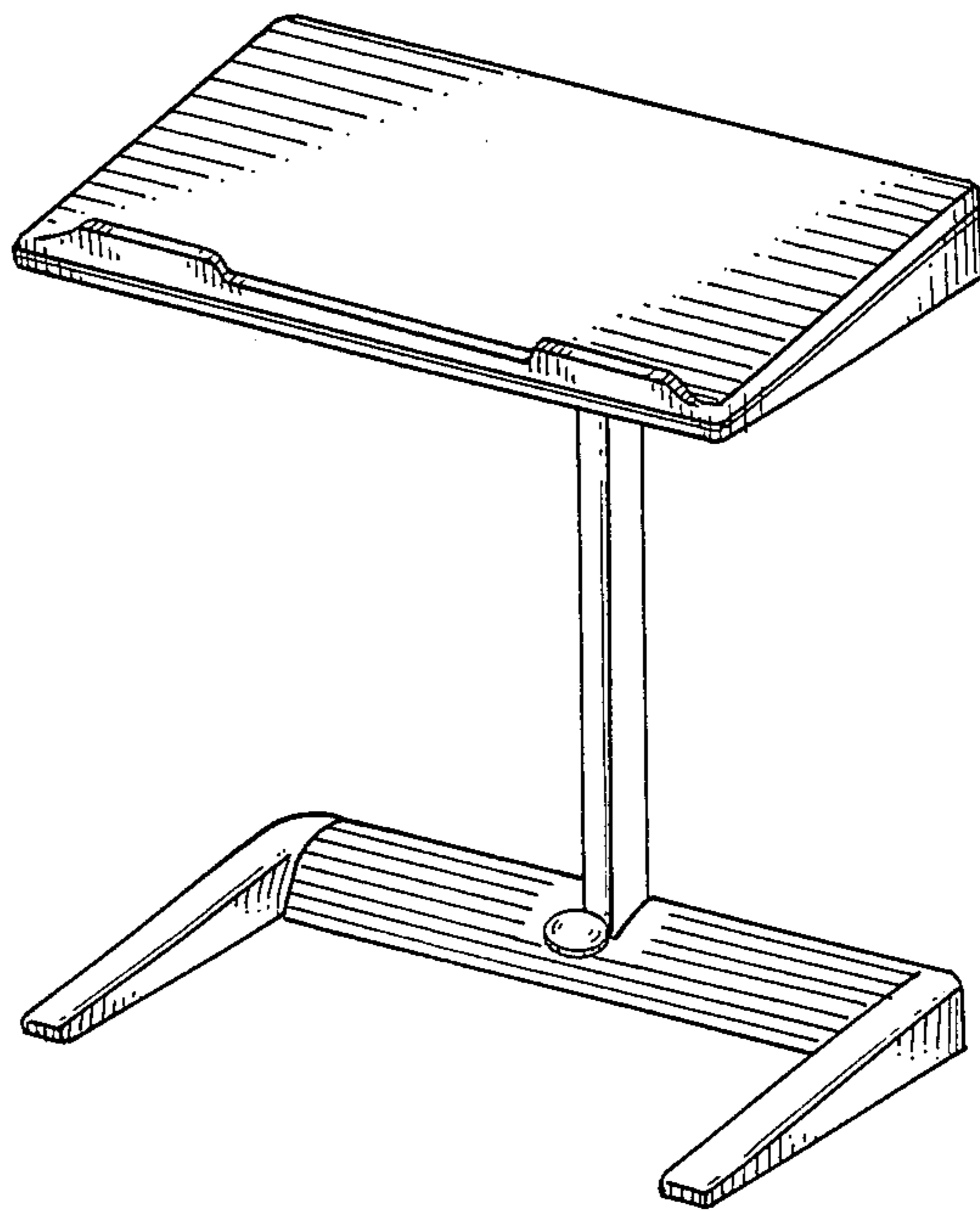


FIG. 7

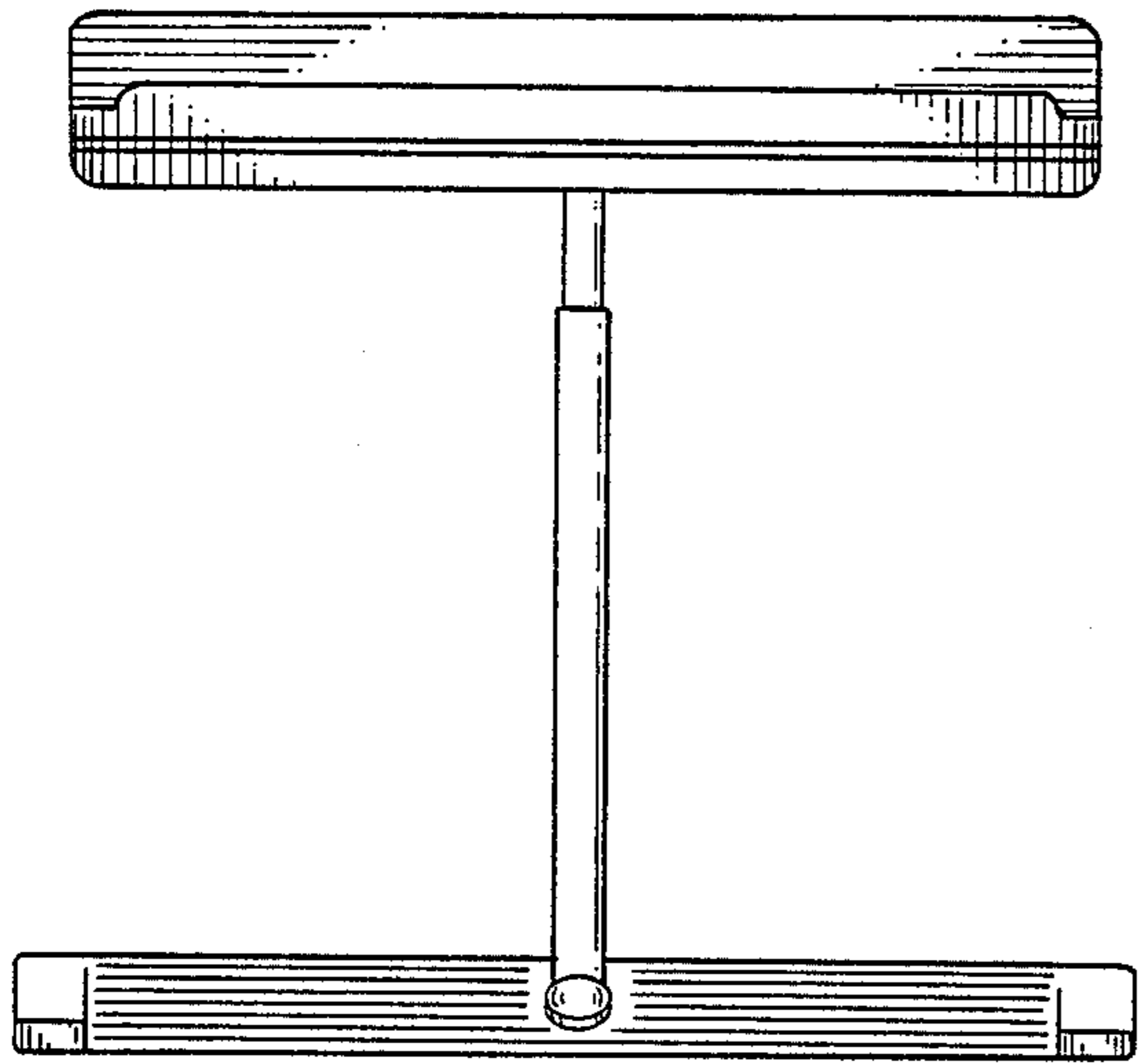


FIG. 2

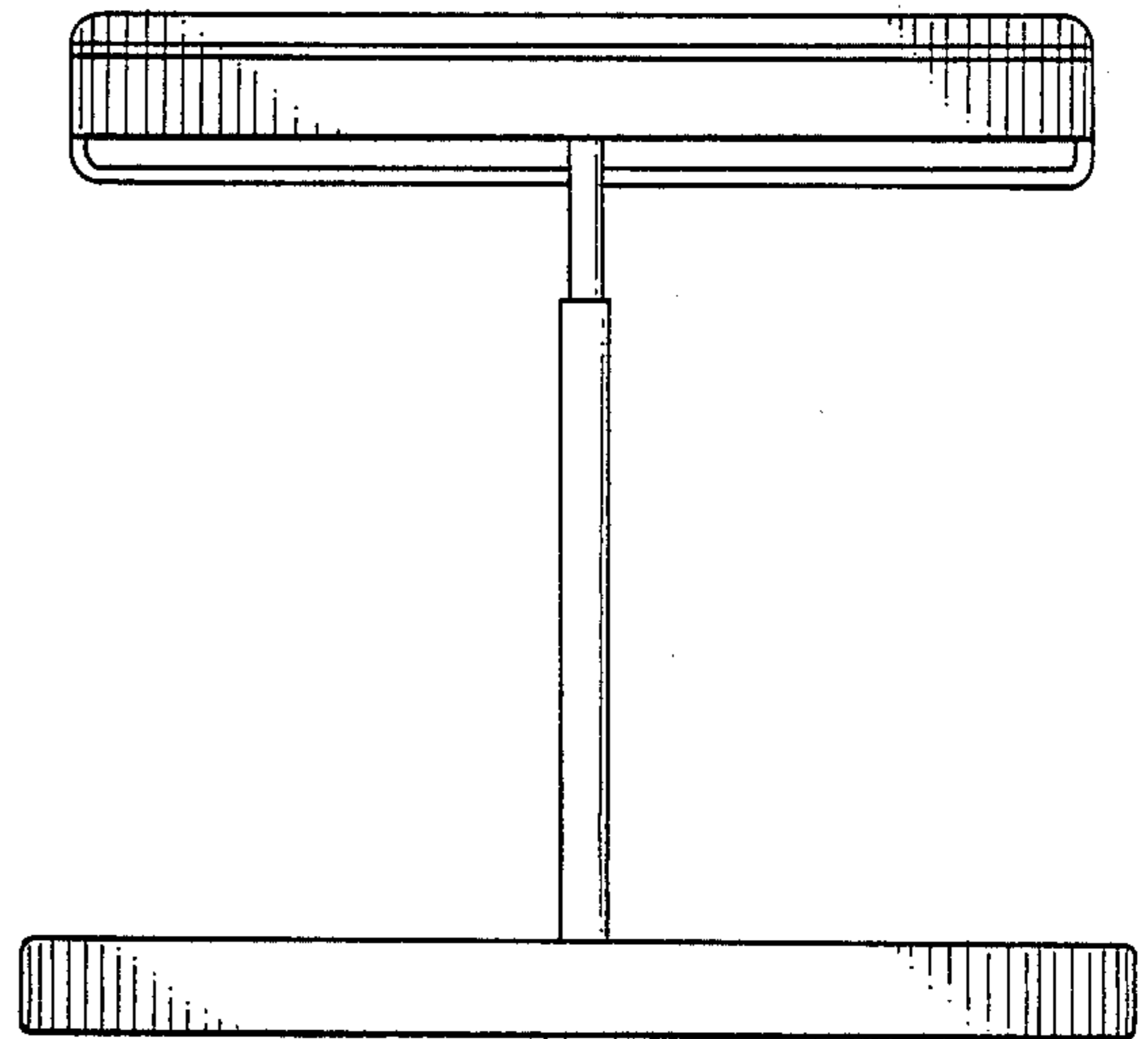


FIG. 3

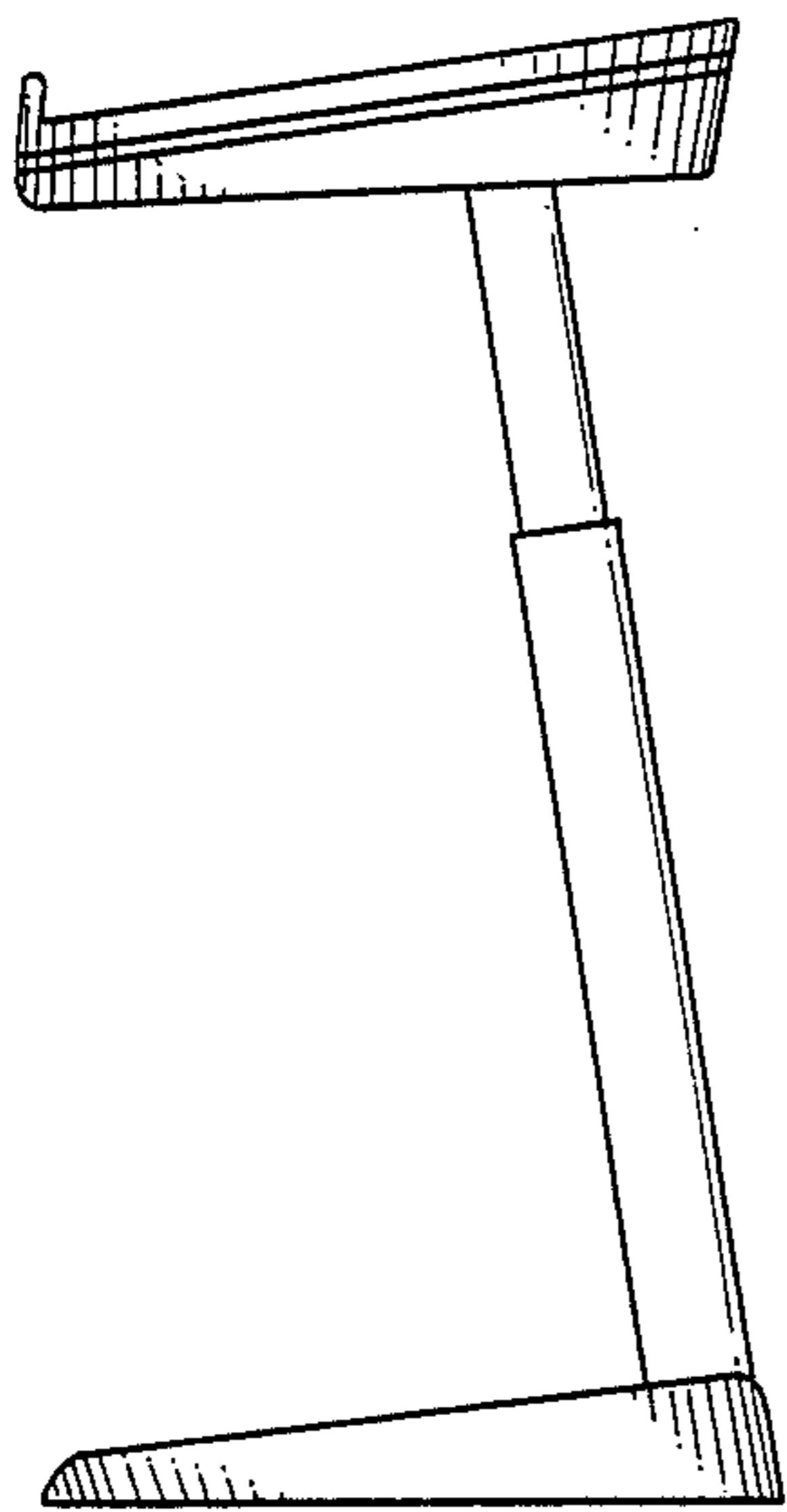


FIG. 4

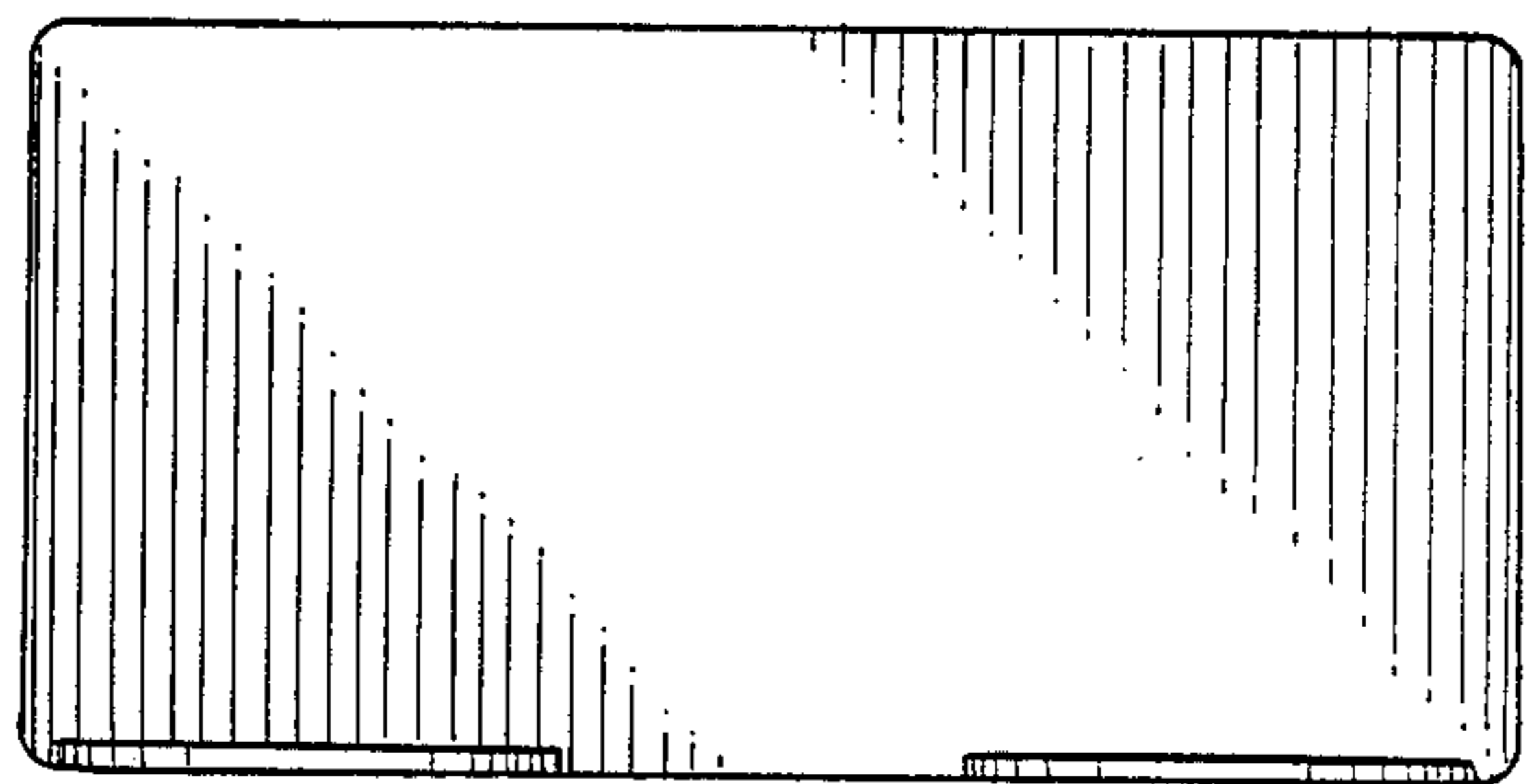


FIG. 5

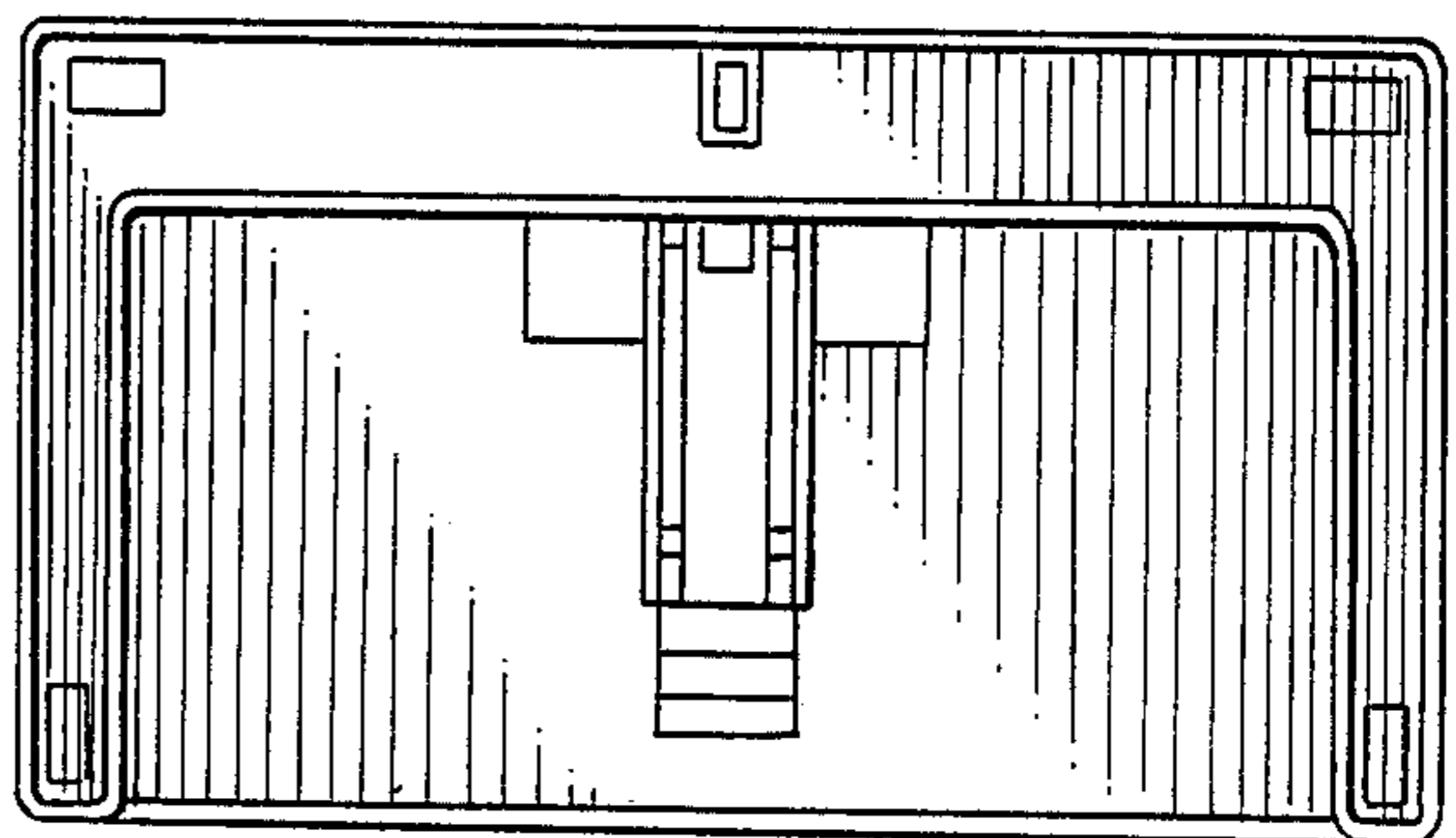


FIG. 6