

[54] **CHAISE**
[75] **Inventor: Jeffrey P. Cronk, Los Angeles, Calif.**
[73] **Assignee: Brown Jordan Company Limited Partnership, El Monte, Calif.**
[**] **Term: 14 Years**
[21] **Appl. No.: 834,010**
[22] **Filed: Feb. 26, 1986**
[52] **U.S. Cl. D6/361**
[58] **Field of Search D6/334, 360, 361, 370, D6/372, 373, 379, 380, 381; 297/325, 445**

4,066,293 1/1978 Meier 297/325

OTHER PUBLICATIONS

Riviera 2000 Couch.

Primary Examiner—Bruce W. Dunkins
Attorney, Agent, or Firm—Christie, Parker & Hale

[57] **CLAIM**

The ornamental design for a chaise, as shown and described.

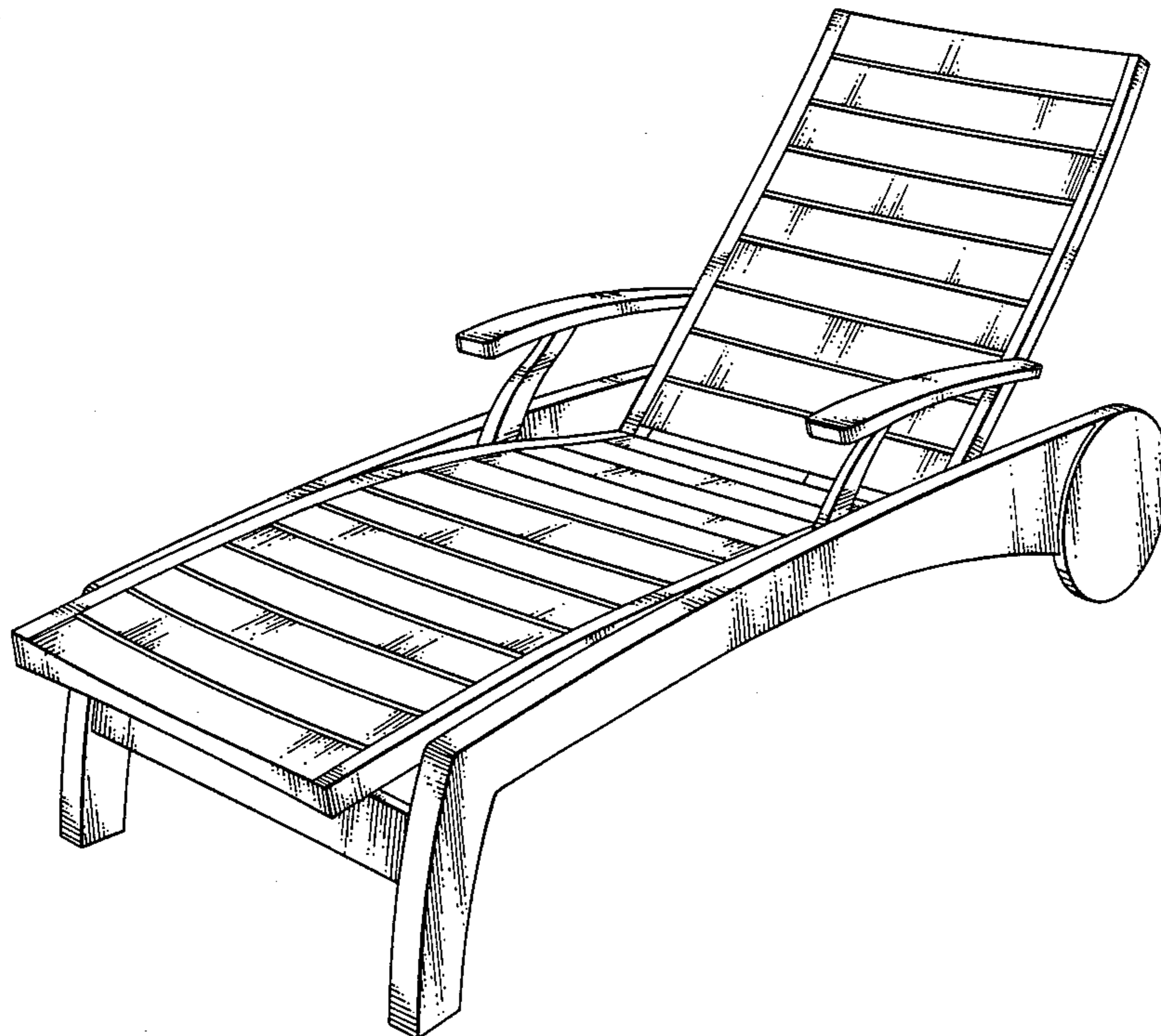
DESCRIPTION

FIG. 1 is a front perspective view of a chaise showing my design;
FIG. 2 is a side elevational view;
FIG. 3 is a front elevational view;
FIG. 4 is a rear elevational view;
FIG. 5 is a top plan view; and
FIG. 6 is a front perspective view of a chaise showing a second embodiment of my design.

[56] **References Cited**

U.S. PATENT DOCUMENTS

D. 282,415 2/1986 Sheridan D6/361
D. 283,178 4/1986 Cronk D6/361
D. 291,390 8/1987 Biscarini D6/361



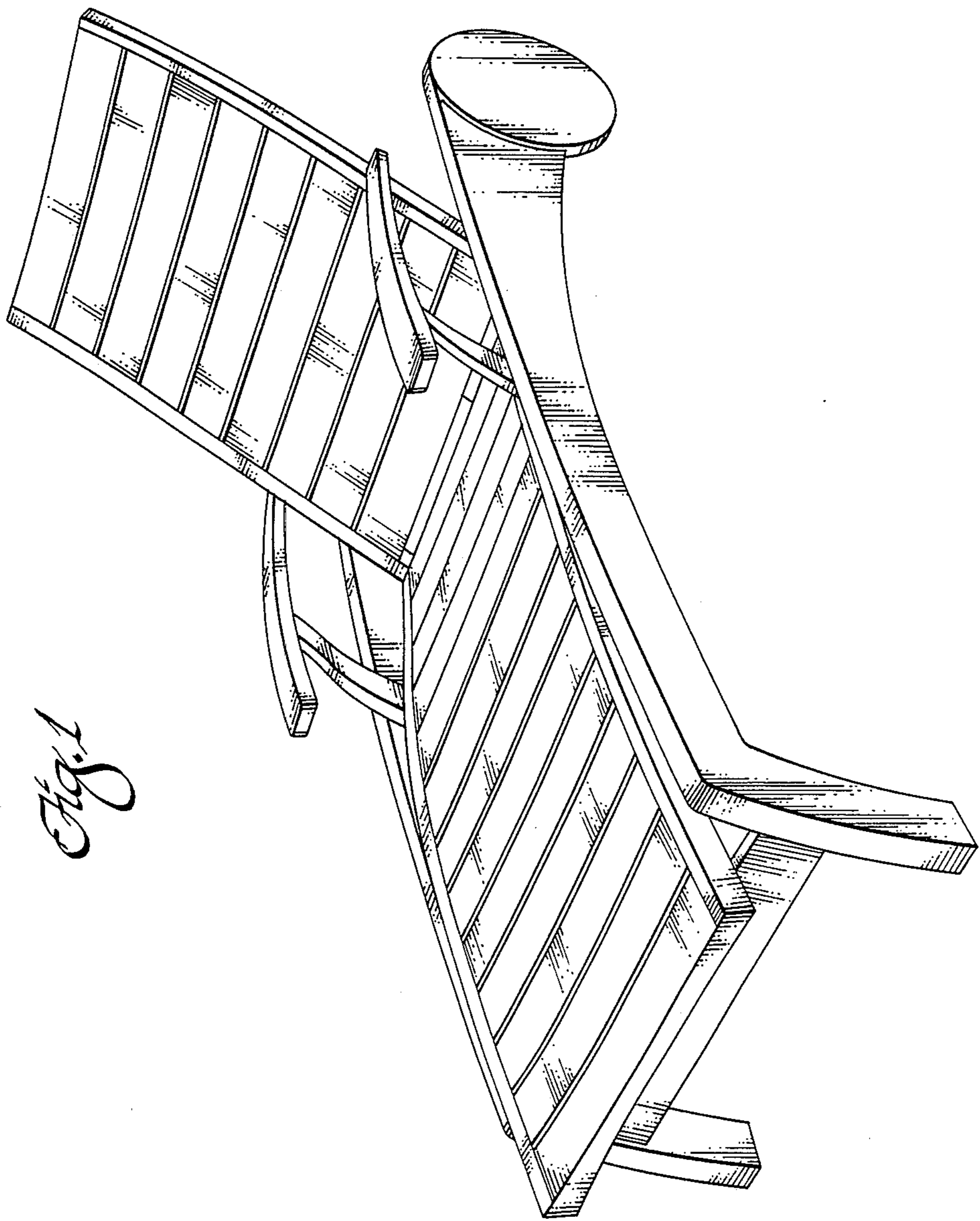


Fig. 1

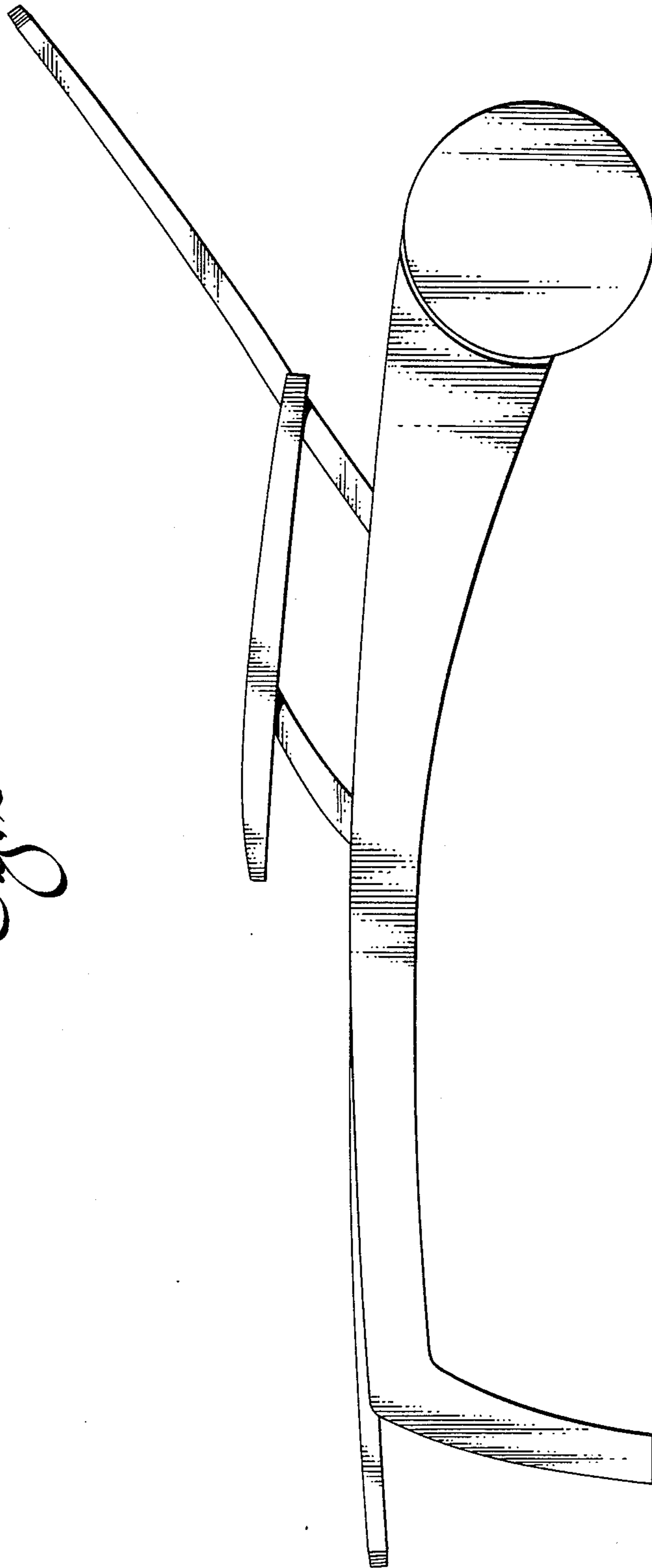


Fig. 2

Fig. 1

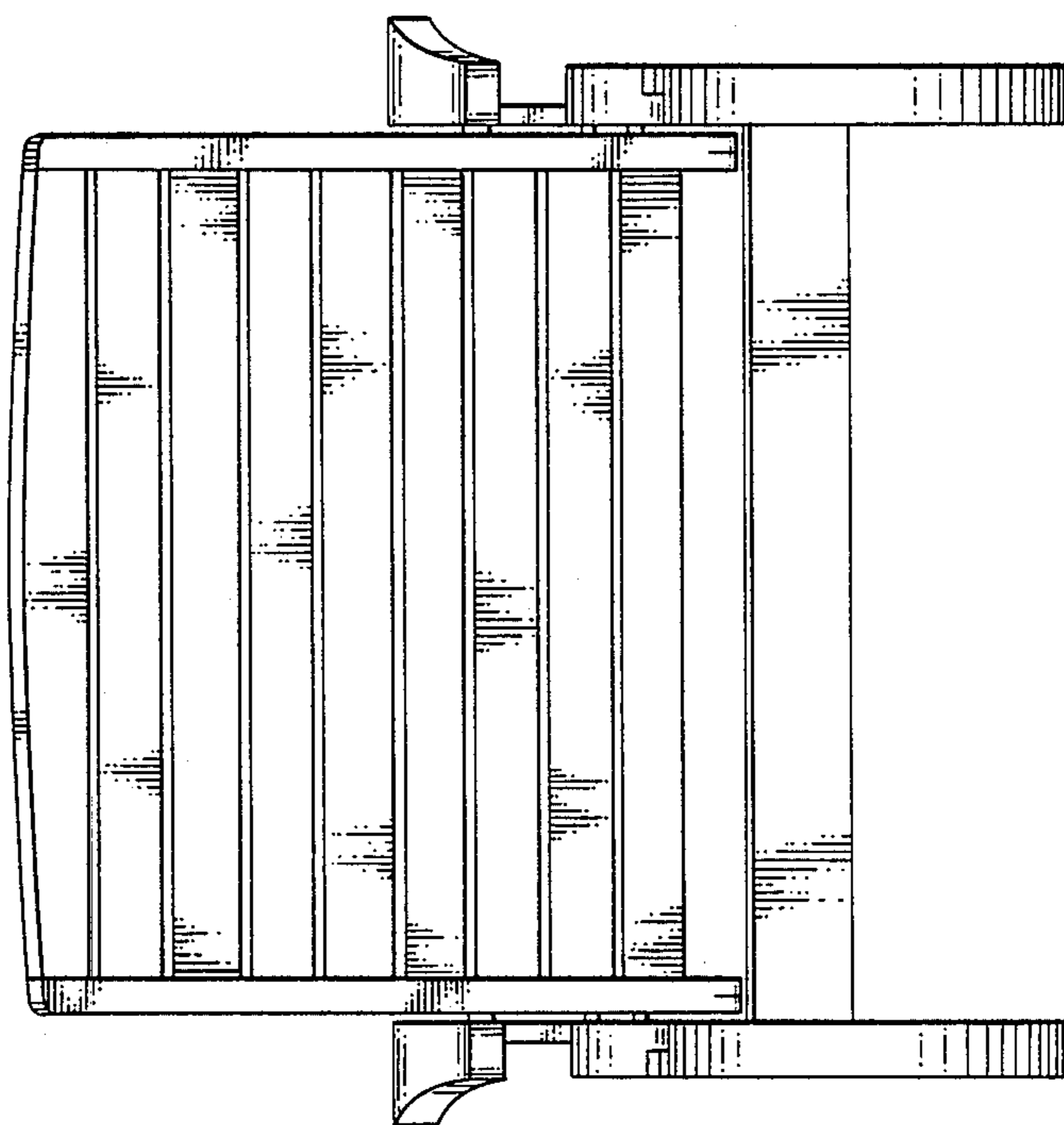


Fig. 3

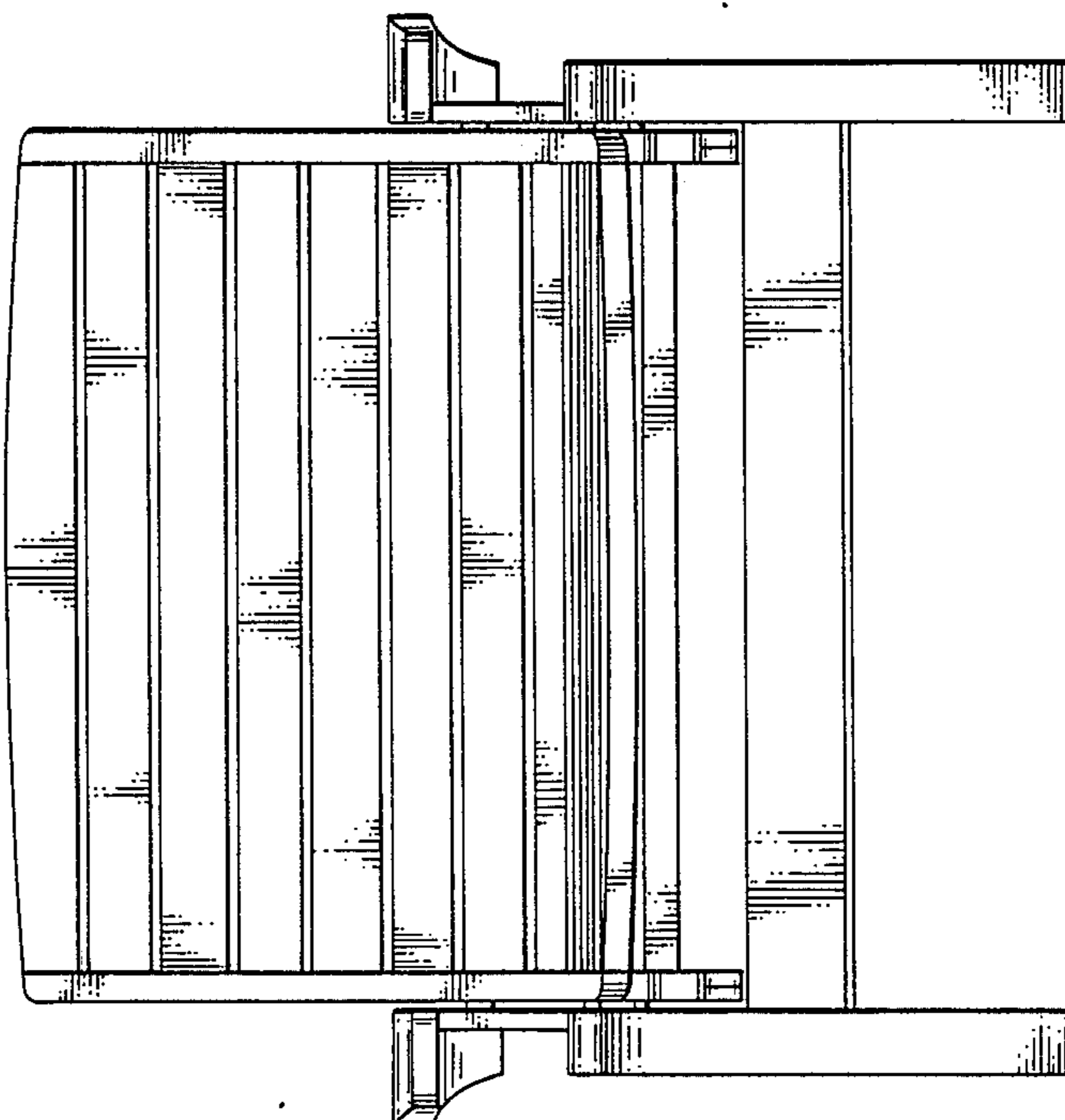
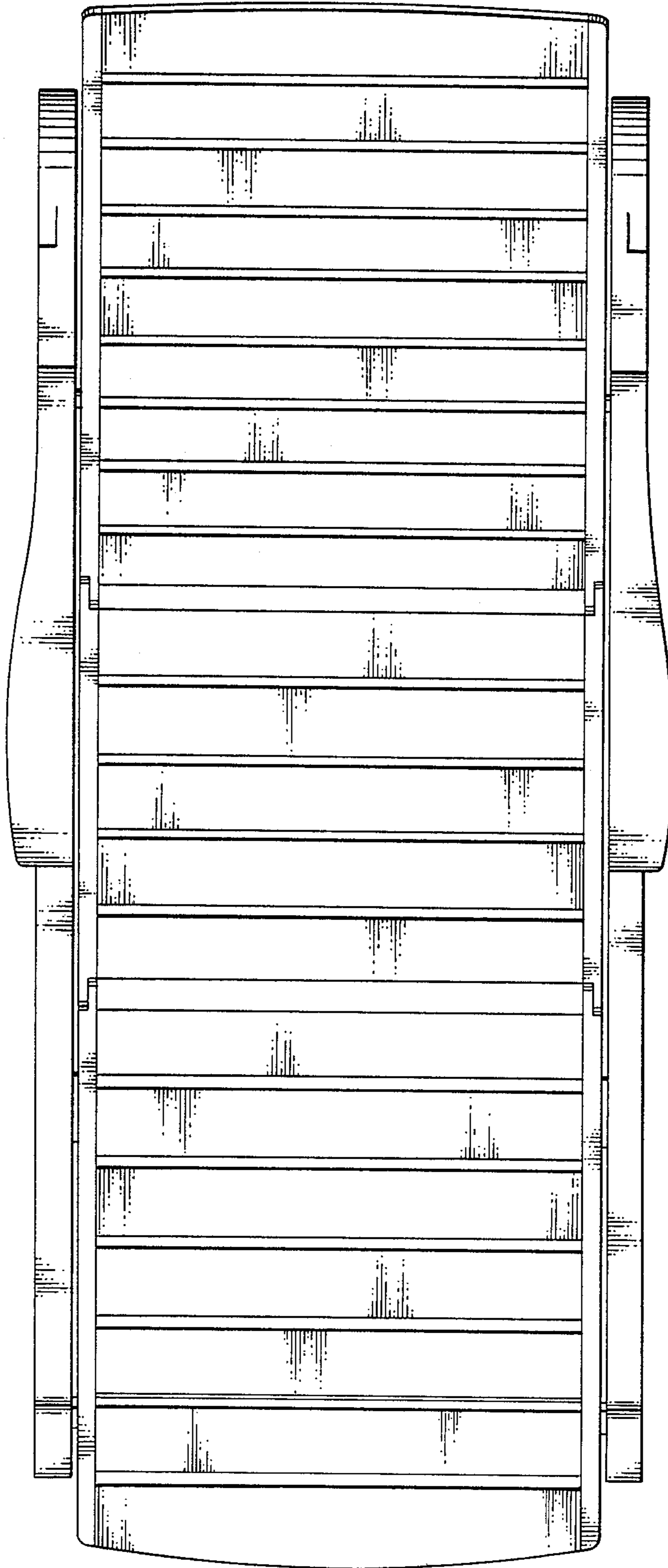


Fig. 5



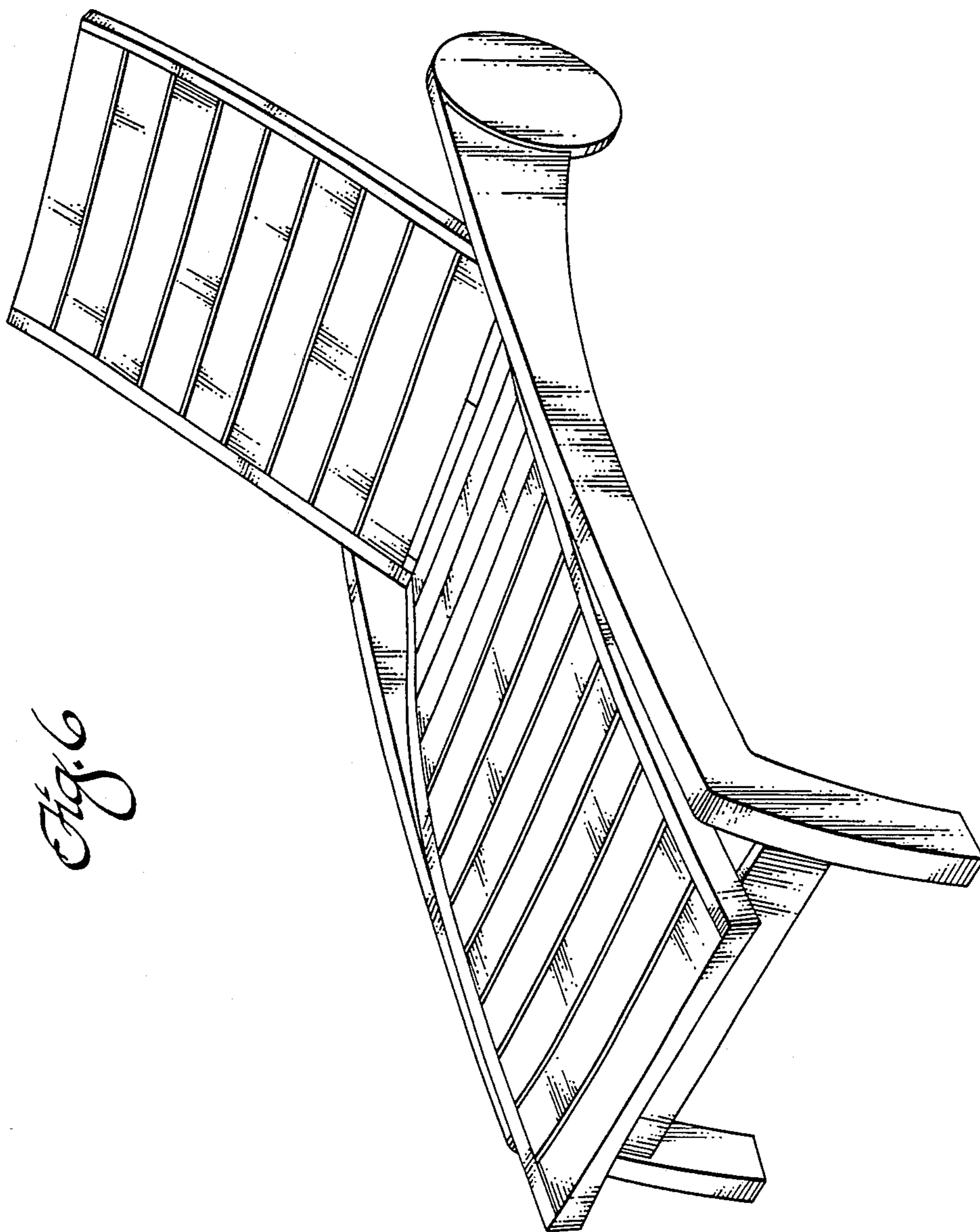


Fig. 6