

[54] SKI DISPLAY RACK

[76] Inventor: Michel Daigle, 1617 Chemin Canora, Montreal, Quebec H3P 2J9, Canada

[\*\*] Term: 14 Years

[21] Appl. No.: 806,509

[22] Filed: Dec. 9, 1985

[30] Foreign Application Priority Data

Aug. 22, 1985 [CA] Canada ..... 22-08-85-1

[52] U.S. Cl. .... D6/314; D6/467

[58] Field of Search ..... D6/310-314, D6/449, 419, 420, 467, 466; 248/463, 465, 455; 211/70.5

[56] References Cited

U.S. PATENT DOCUMENTS

D. 220,911 6/1971 McGardy ..... D6/314

D. 264,032	4/1982	Rule .....	D6/313
D. 271,501	11/1983	Manning et al. ....	D6/314 X
751,892	2/1904	André .....	248/463
1,116,016	11/1914	Cochran .....	248/465
1,278,619	9/1918	Fant .....	248/455
2,490,356	12/1949	Hummel .....	248/463
3,338,422	8/1967	Hickok .....	211/70.5
3,685,667	8/1972	Bell .....	211/70.5
4,600,298	7/1986	Emmert .....	248/463 X

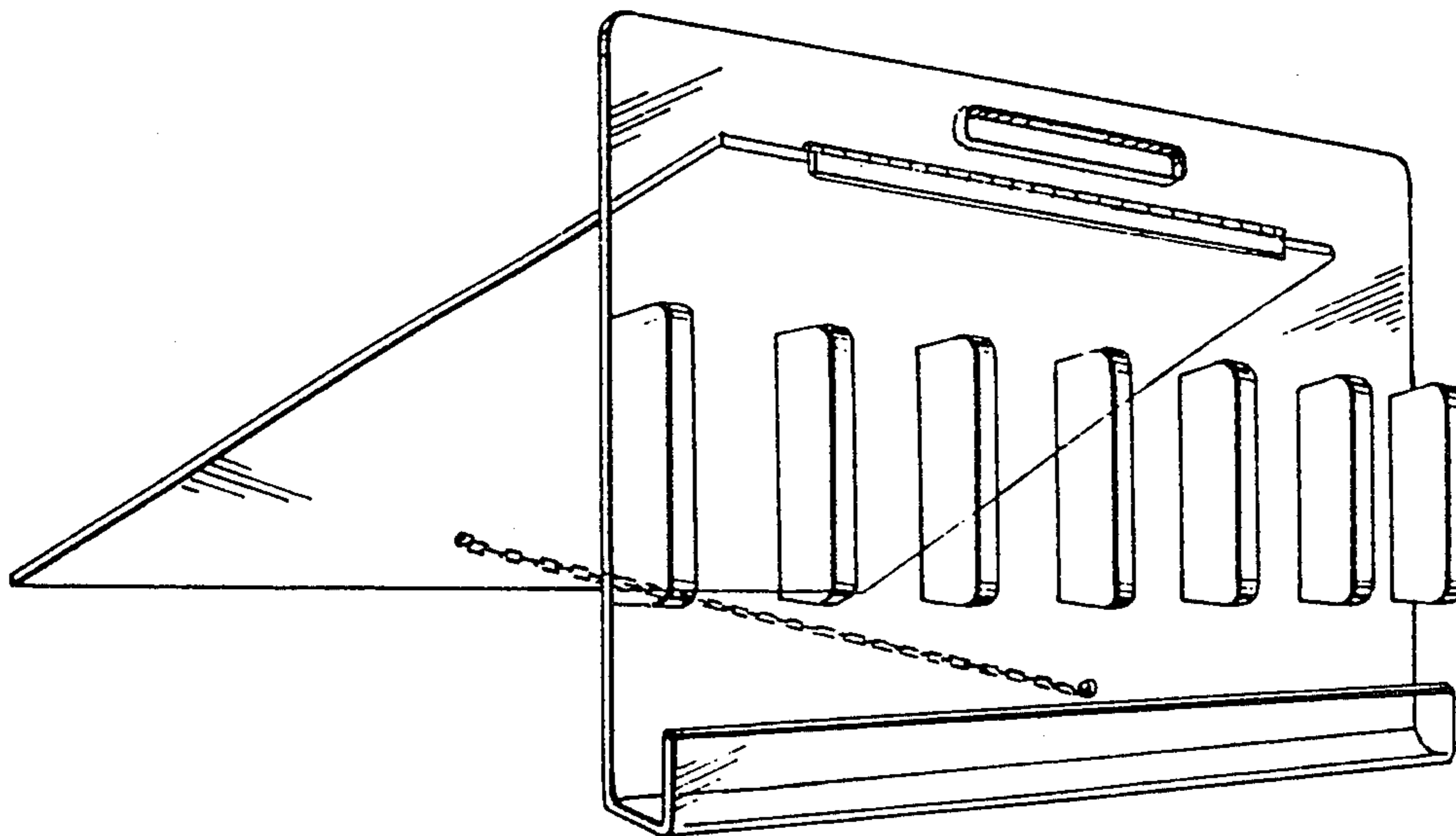
Primary Examiner—Carmen H. Vales  
Attorney, Agent, or Firm—George A. Seaby

[57] CLAIM

The ornamental design for a ski display rack, as shown.

DESCRIPTION

FIG. 1 is a front perspective view of a ski display rack showing my new design; FIG. 2 is a rear perspective view thereof; and FIG. 3 is a side elevational view thereof.



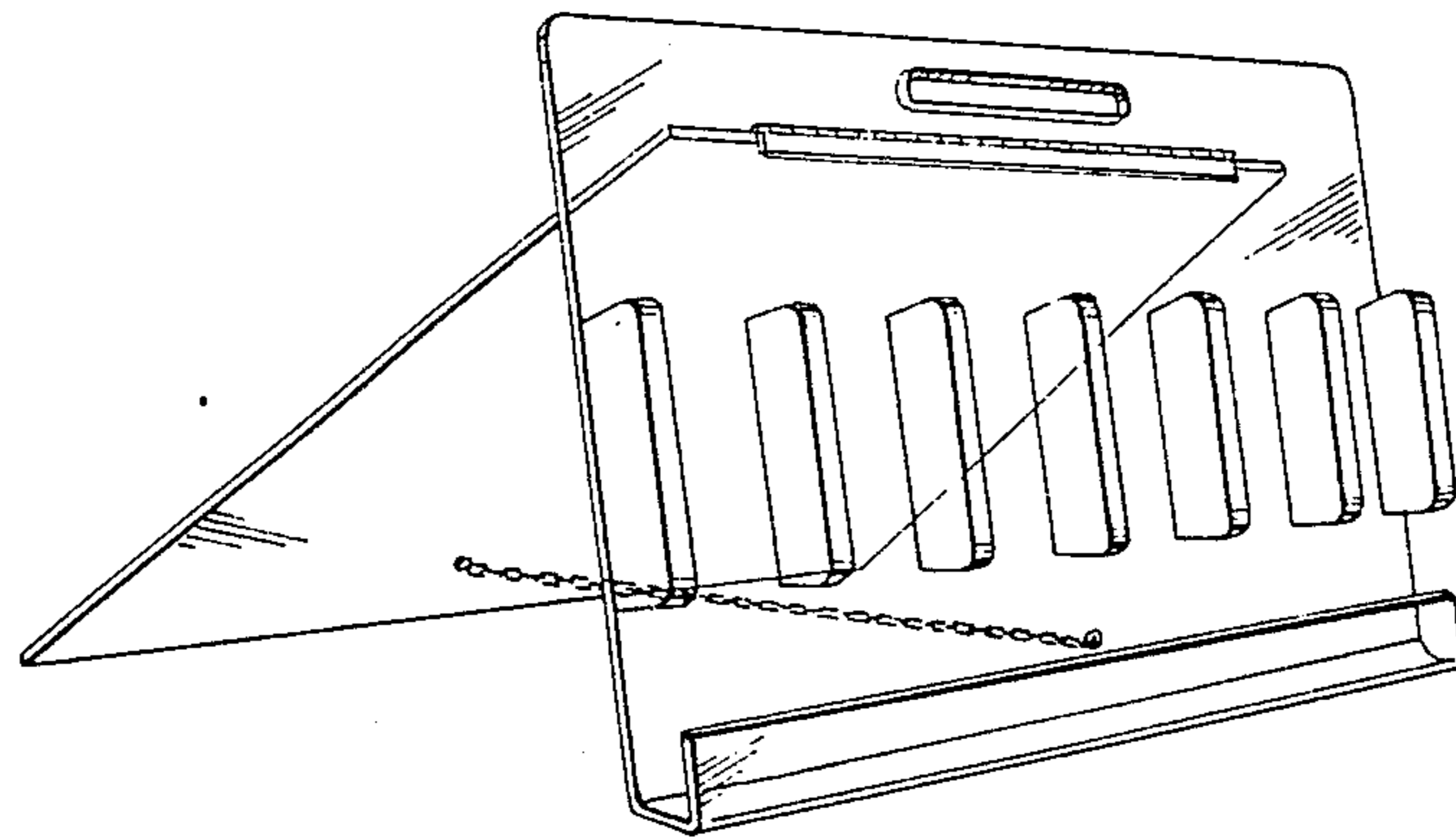


FIG. 1

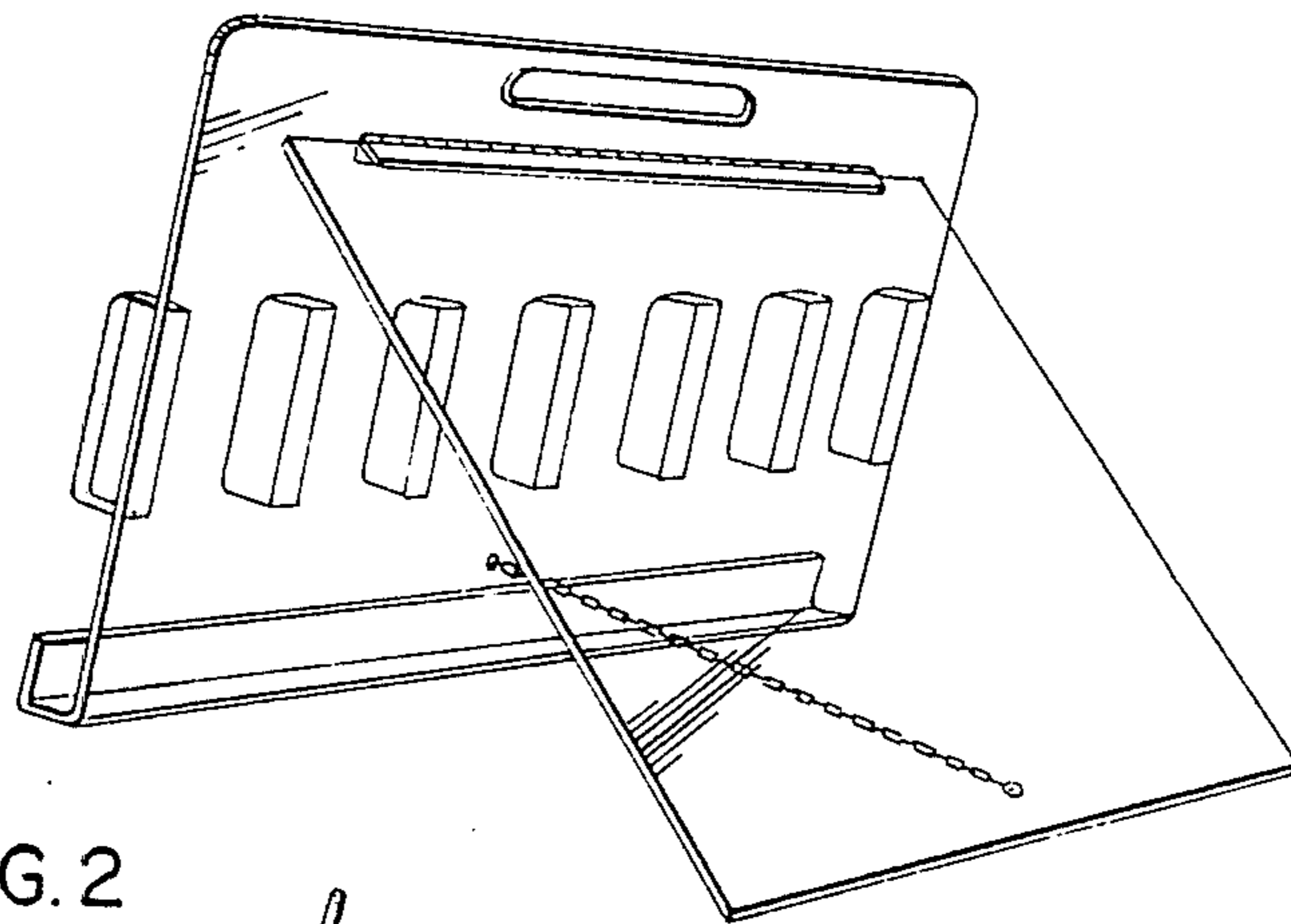


FIG. 2

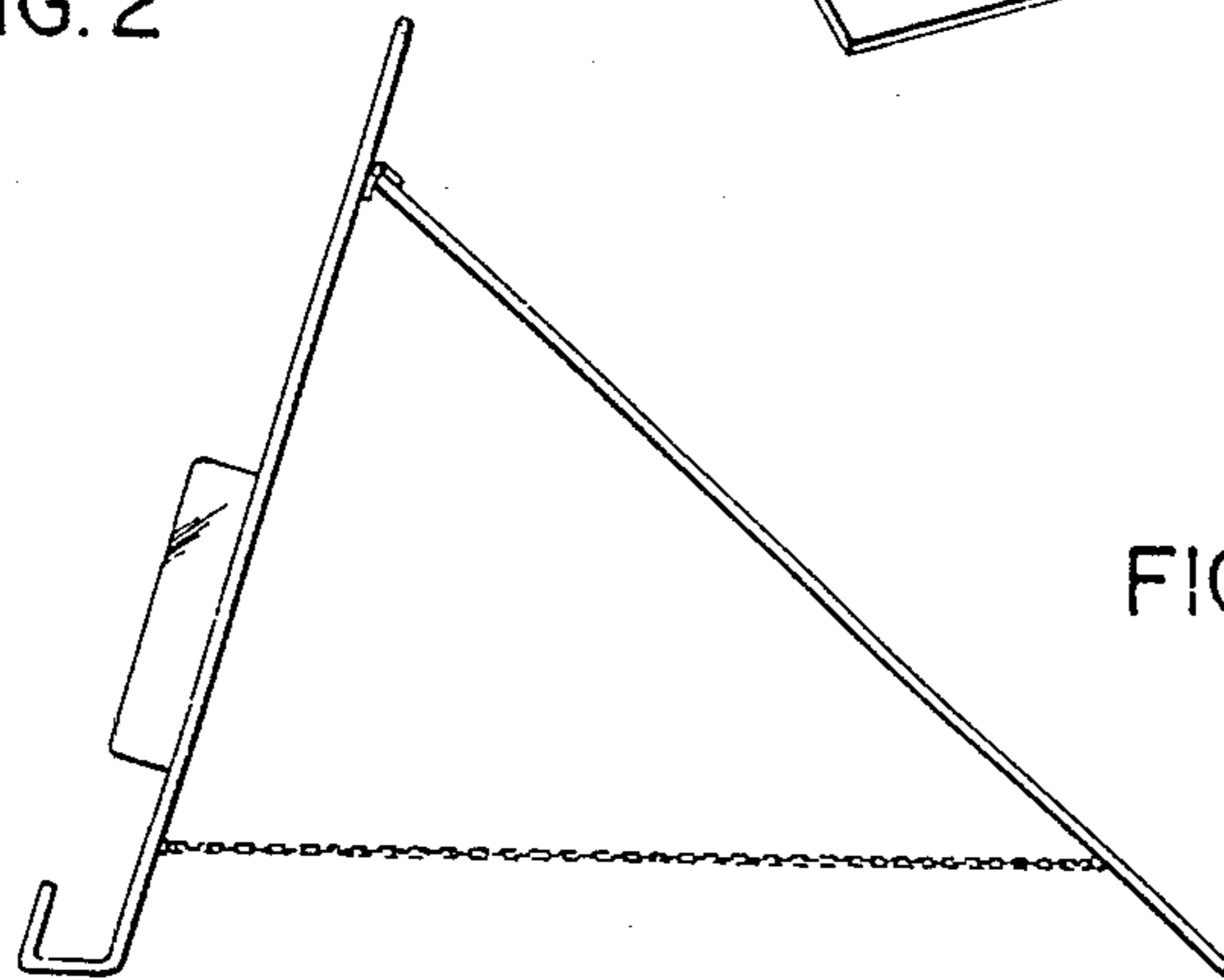


FIG. 3