

[54] TAPE RACK

[75] Inventors: David O. Hatcher, Eggertsville;  
Walter N. Fudala, Cheektowaga,  
both of N.Y.

[73] Assignee: Posting Equipment Corporation,  
Buffalo, N.Y.

[\*\*] Term: 14 Years

[21] Appl. No.: 805,132

[22] Filed: Jan. 27, 1986

[52] U.S. Cl. .... D3/35; D6/407;  
D6/569; D6/574

[58] Field of Search ..... D6/407, 574, 466, 573,  
D6/467, 572, 570, 569; 312/9-12; 211/13, 40,  
41, 42; 206/387, 444

[56] References Cited

U.S. PATENT DOCUMENTS

- D. 133,778 9/1942 Homeijer ..... D6/573
- D. 175,516 9/1955 Lively ..... D6/574
- D. 193,243 7/1962 Chapman et al. .... D6/574

- D. 234,066 1/1975 Wallace ..... D6/569
- D. 242,313 11/1976 Stentz ..... D6/574
- D. 283,371 4/1986 Armbruster ..... D3/35
- D. 283,957 5/1986 Stravitz ..... D6/407

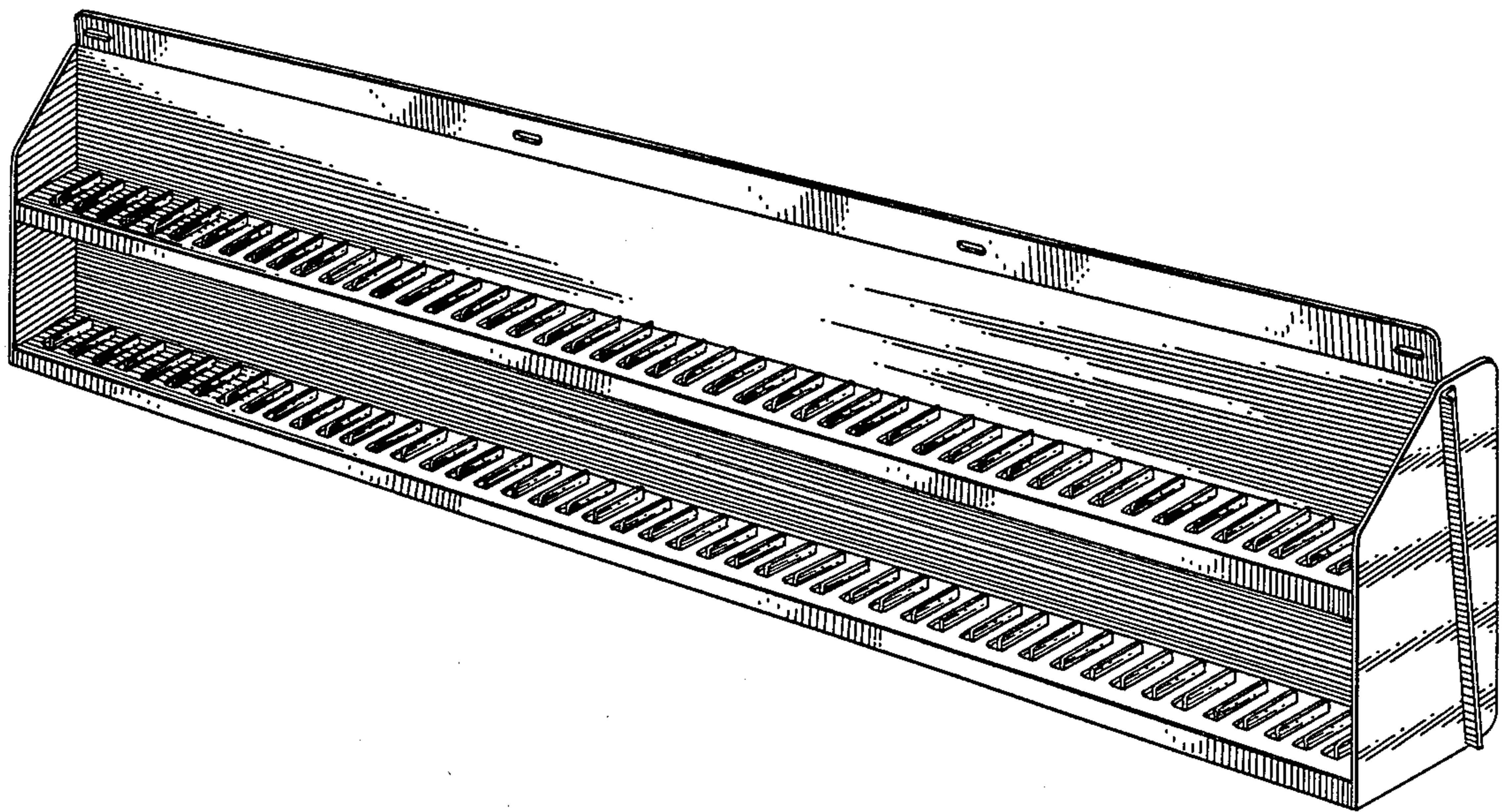
Primary Examiner—Carmen H. Vales  
Attorney, Agent, or Firm—Christel, Bean & Linihan

[57] CLAIM

The ornamental design for a tape rack, as shown and described.

DESCRIPTION

FIG. 1 is a perspective view of a tape rack showing our new design;  
 FIG. 2 is a right side elevational view, the showing of broken lines indicates environmental structure and forms no part of the claimed design;  
 FIG. 3 is a left side elevational view, the showing of broken lines indicates environmental structure and forms no part of the claimed design;  
 FIG. 4 is a front elevational view thereof;  
 FIG. 5 is a rear elevational view thereof;  
 FIG. 6 is a top plan view thereof; and,  
 FIG. 7 is a bottom plan view thereof.



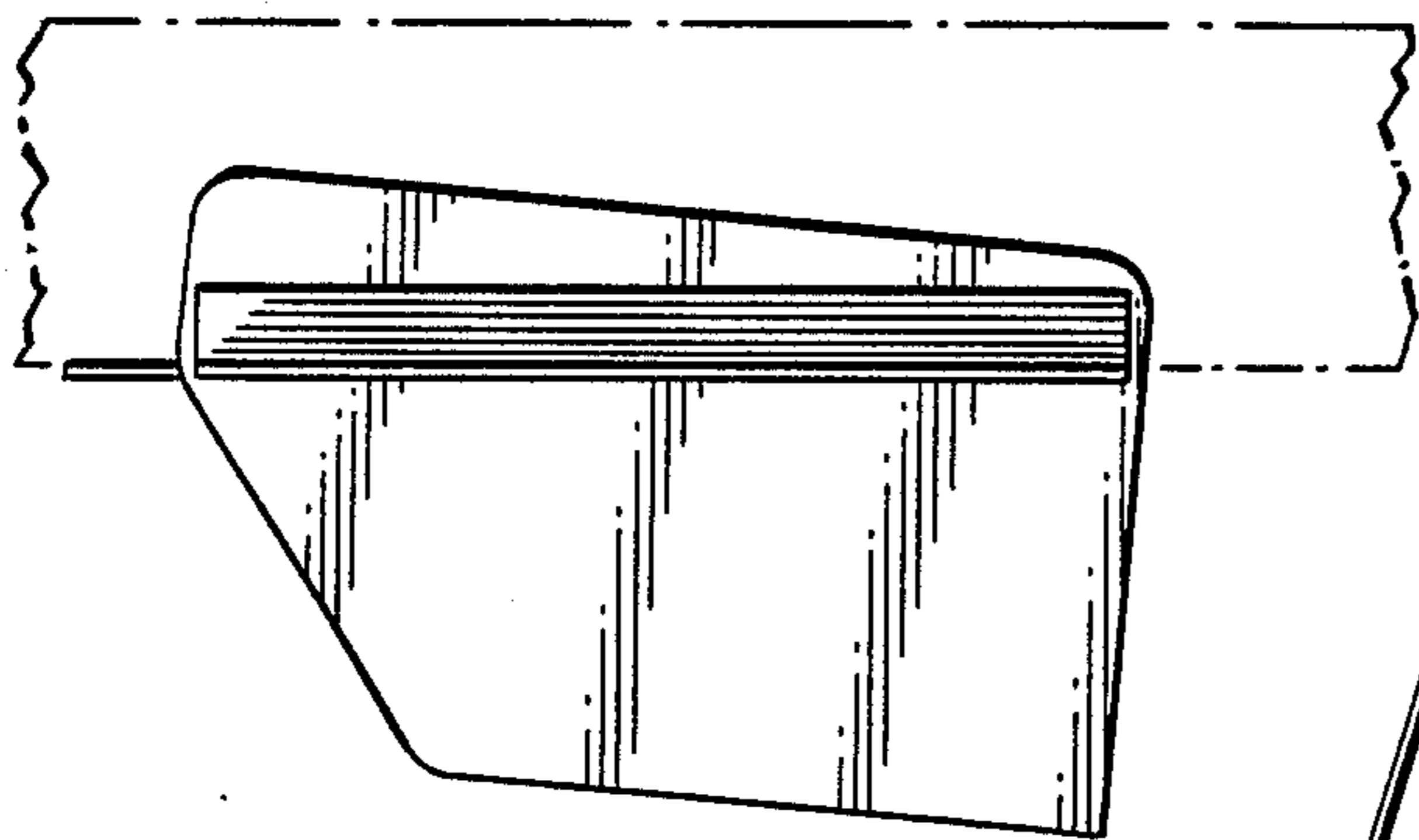


Fig. 2.

Fig. 1.

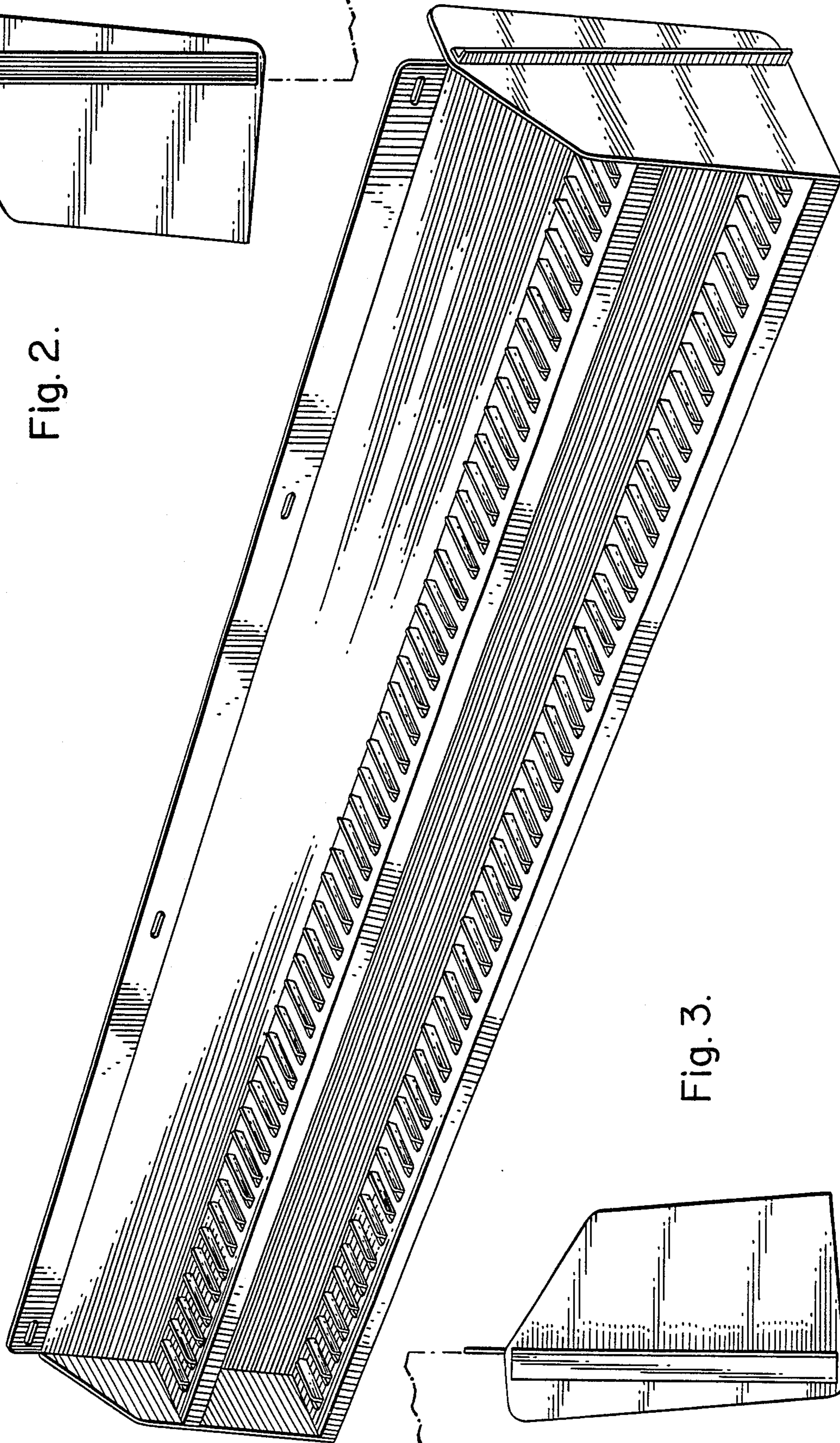


Fig. 3.

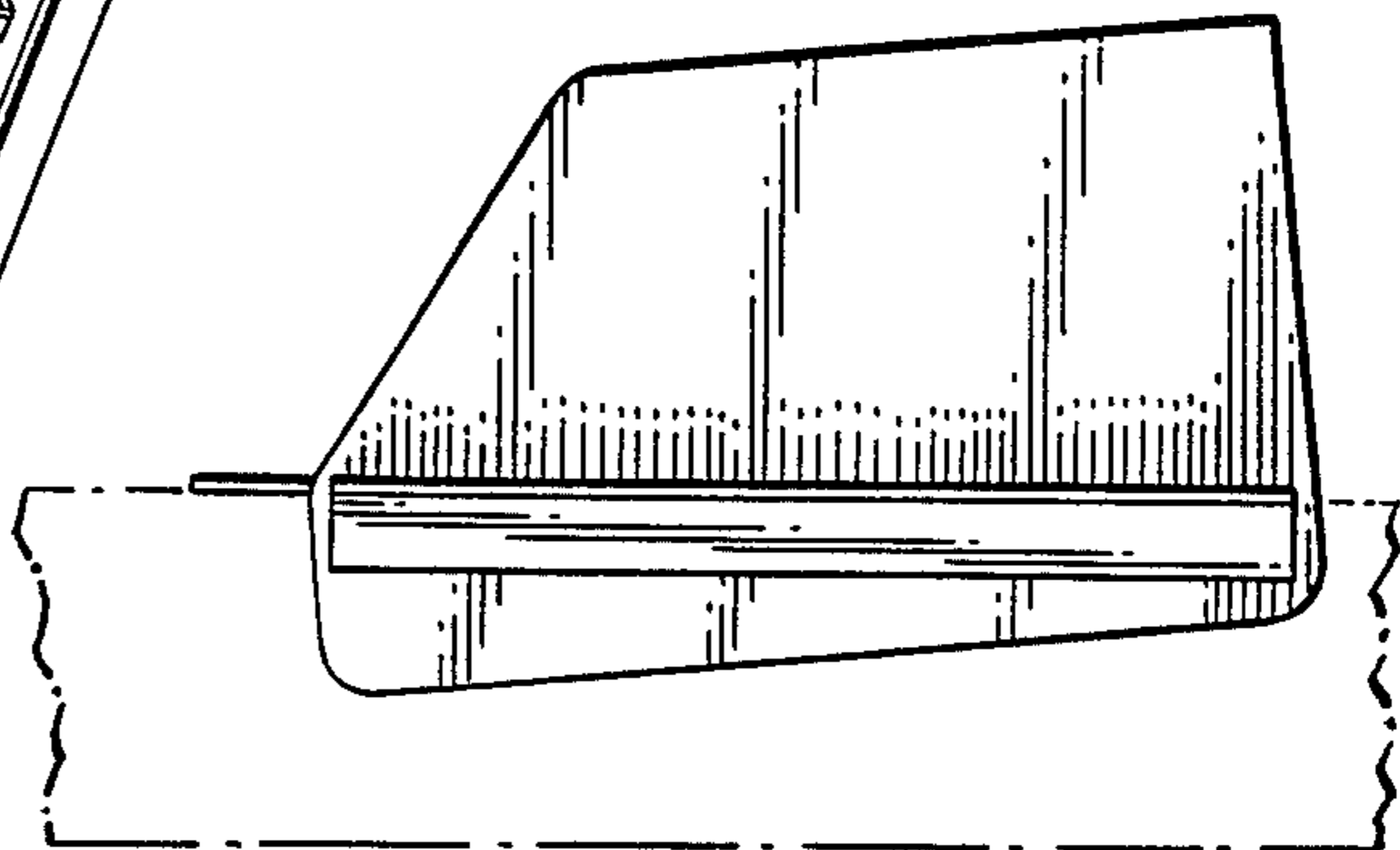


Fig. 4.

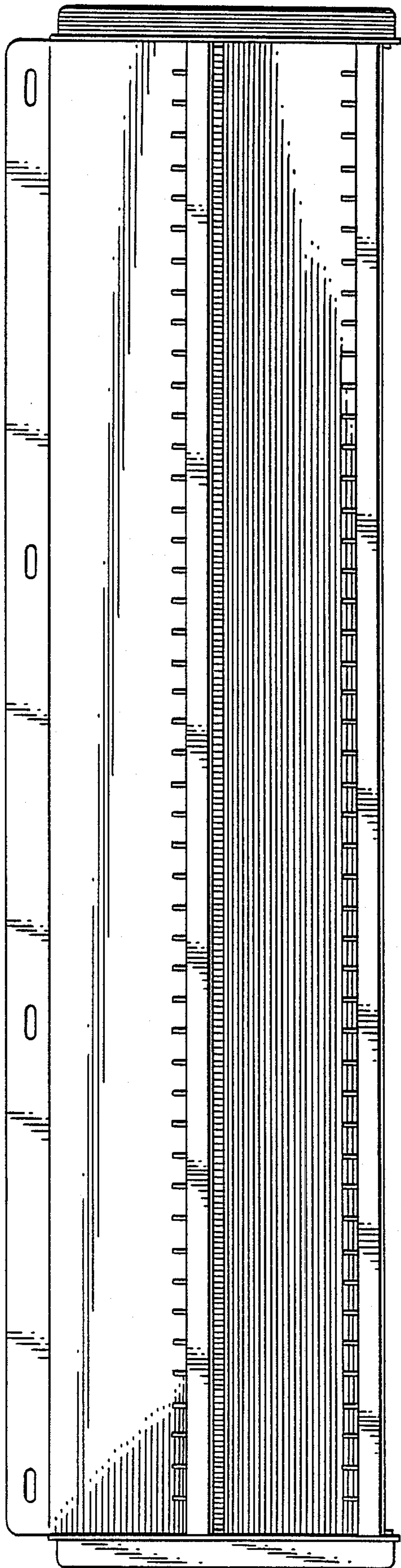


Fig. 5.

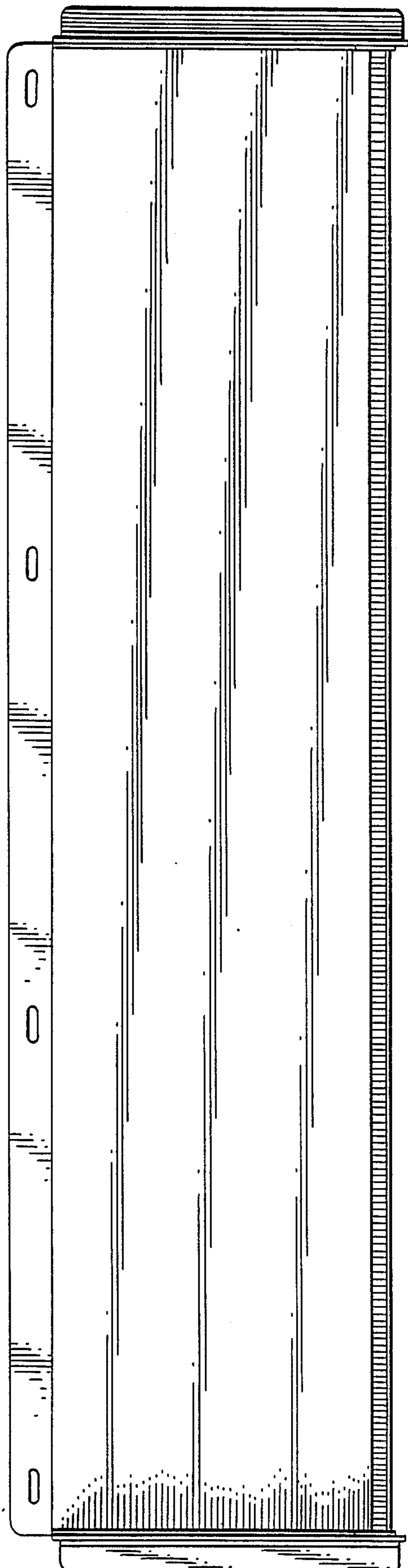


Fig. 6.

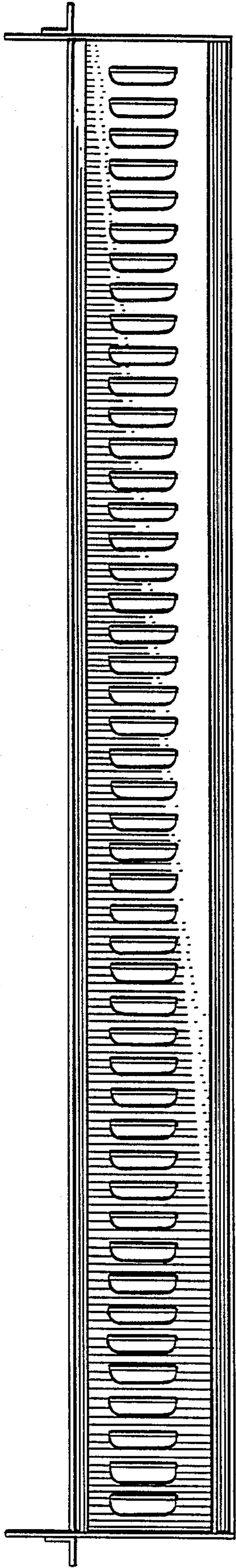


Fig. 7.

