

[54] MOP-WRINGING BUCKET

[75] Inventors: Phillip H. Slattery, Montmorency; Gerard Mussett, Elwood; Alfons V. Maanen, Black Rock; James E. Oates, Heidelberg; Geoffrey A. Oates, Essendon, all of Australia

[73] Assignee: E. D. Oates Pty. Ltd., Reservoir, Australia

[**] Term: 14 Years

[21] Appl. No.: 861,974

[22] Filed: May 12, 1986

[30] Foreign Application Priority Data

Oct. 17, 1984 [AU] Australia PG7682
Oct. 17, 1984 [AU] Australia 9248/84
Oct. 14, 1984 [AU] Australia 2917/85

[52] U.S. Cl. D32/53

[58] Field of Search D32/53, 53.1; 15/260, 15/261, 262, 263, 264

[56] References Cited

U.S. PATENT DOCUMENTS

D. 226,681 4/1973 Bard D32/53
900,430 10/1908 Schaeffe 15/262
1,064,802 6/1913 Wilde 15/262
1,391,408 9/1921 Robbins .
1,541,886 6/1925 Wolter .

1,690,026 10/1928 Miskewicz .
2,384,907 9/1945 Fritsch et al. 15/262
2,417,276 3/1947 Trostler 15/262
3,506,997 4/1970 Coraminas 15/262

FOREIGN PATENT DOCUMENTS

451138 9/1948 Canada 15/262
270204 11/1950 Switzerland 15/262
138307 8/1950 Australia .
6605174 8/1975 Australia .
266052 4/1950 Switzerland .
1014571 3/1973 U.S.S.R. .

Primary Examiner—Catherine E. Kemper
Attorney, Agent, or Firm—Fleit, Jacobson, Cohn & Price

[57] CLAIM

The ornamental design for a mop-wringing bucket, as shown and described.

DESCRIPTION

FIG. 1 is a top perspective view of a mop-wringing bucket, showing our new design;
FIG. 2 is a bottom perspective view thereof;
FIG. 3 is a sectional view thereof, taken along line 3—3 of FIG. 1;
FIG. 4 is a top perspective view of a second embodiment of a mop-wringing bucket;
FIG. 5 is a bottom perspective view thereof;
FIG. 6 is a sectional view thereof, taken along line 6—6 of FIG. 4;
FIG. 7 is an end elevational view thereof.

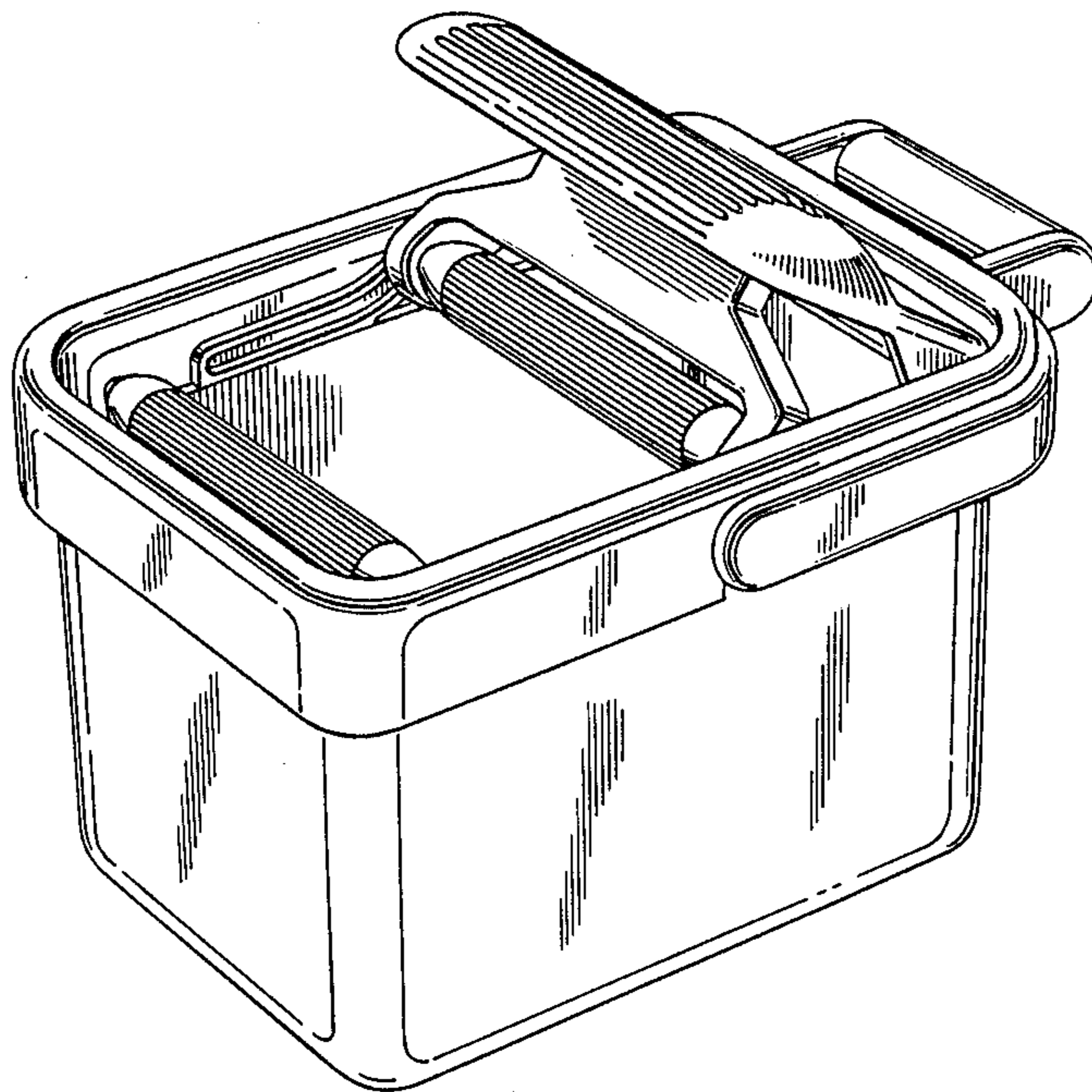


FIG. 1

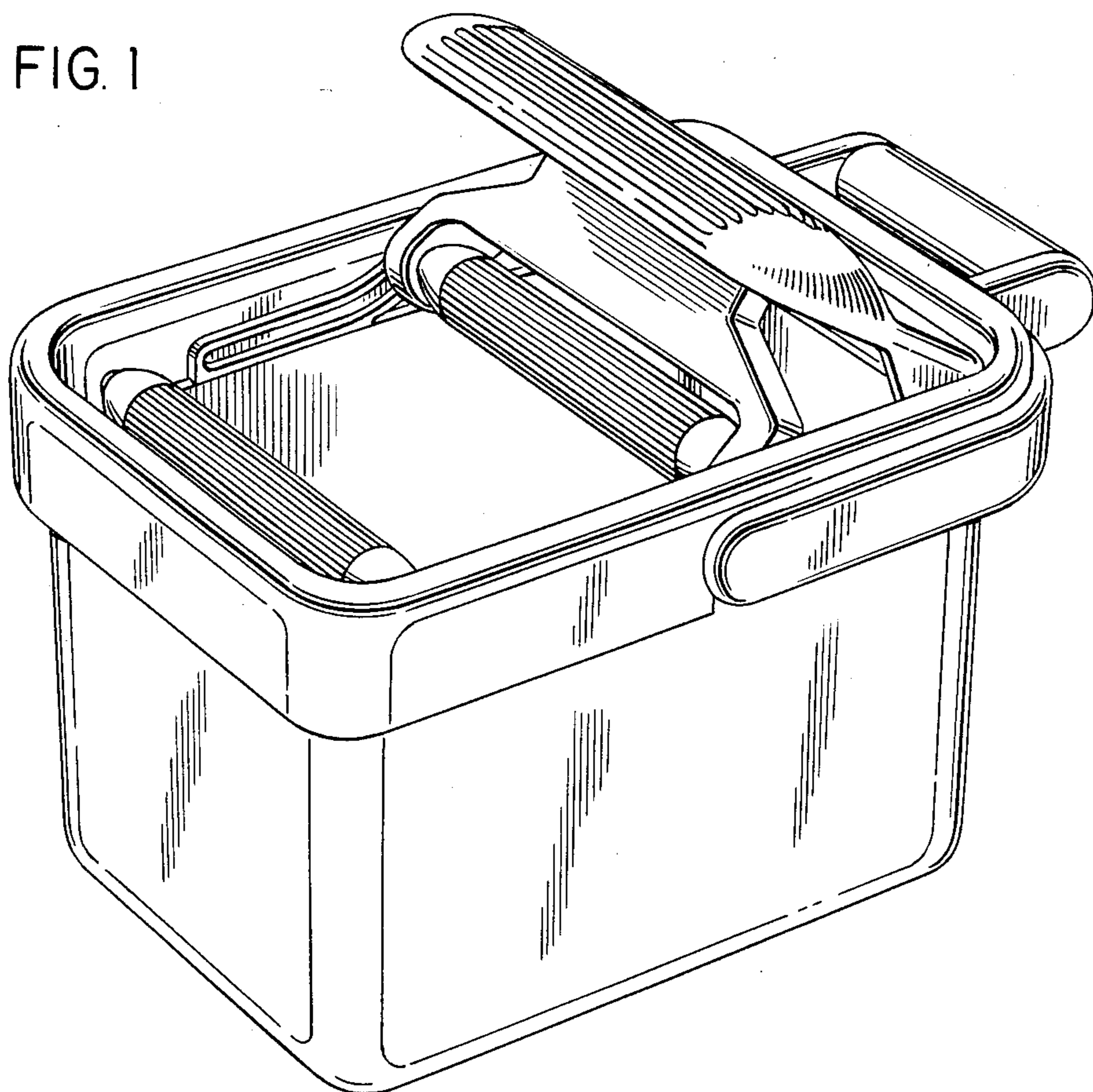
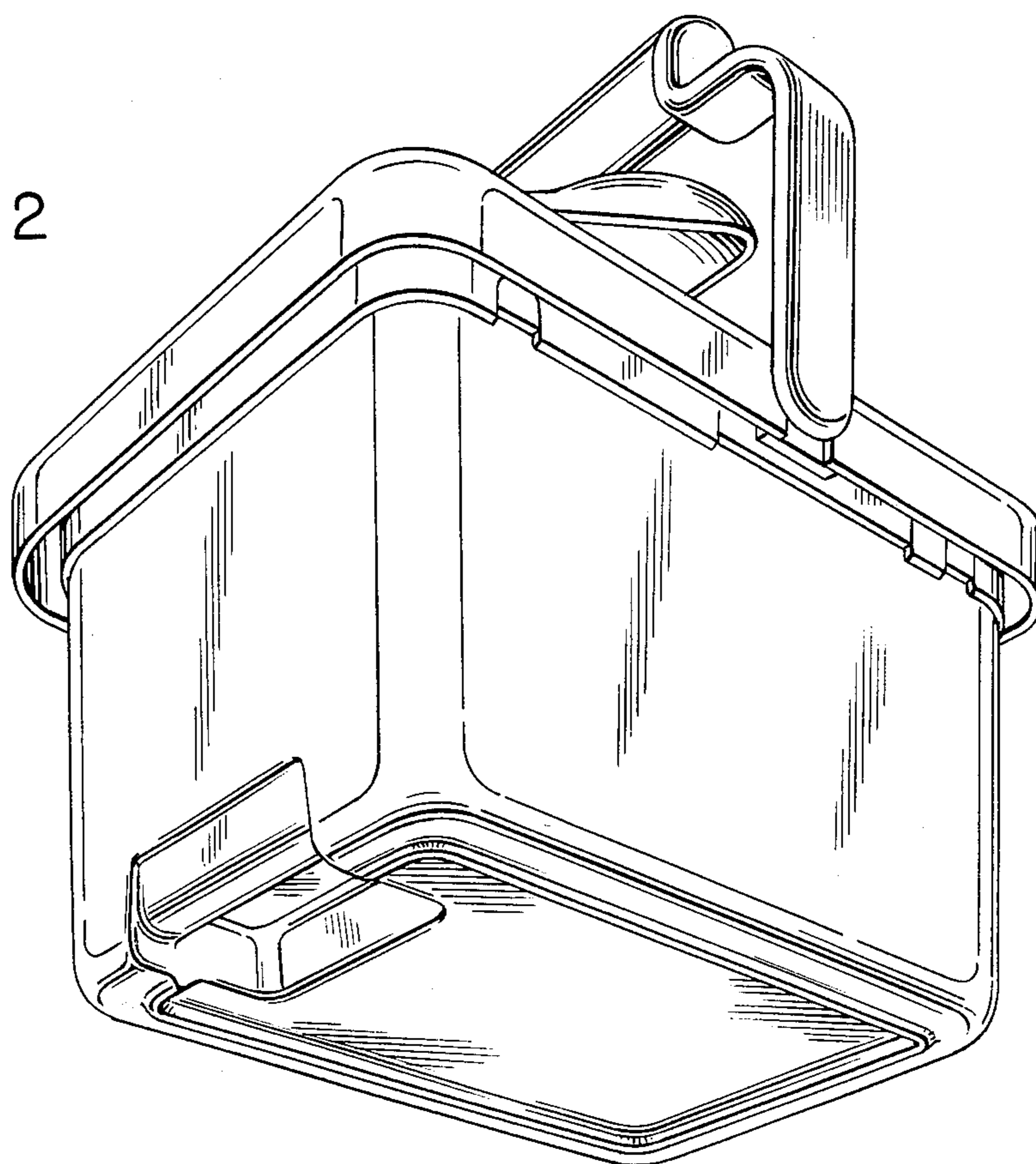


FIG. 2



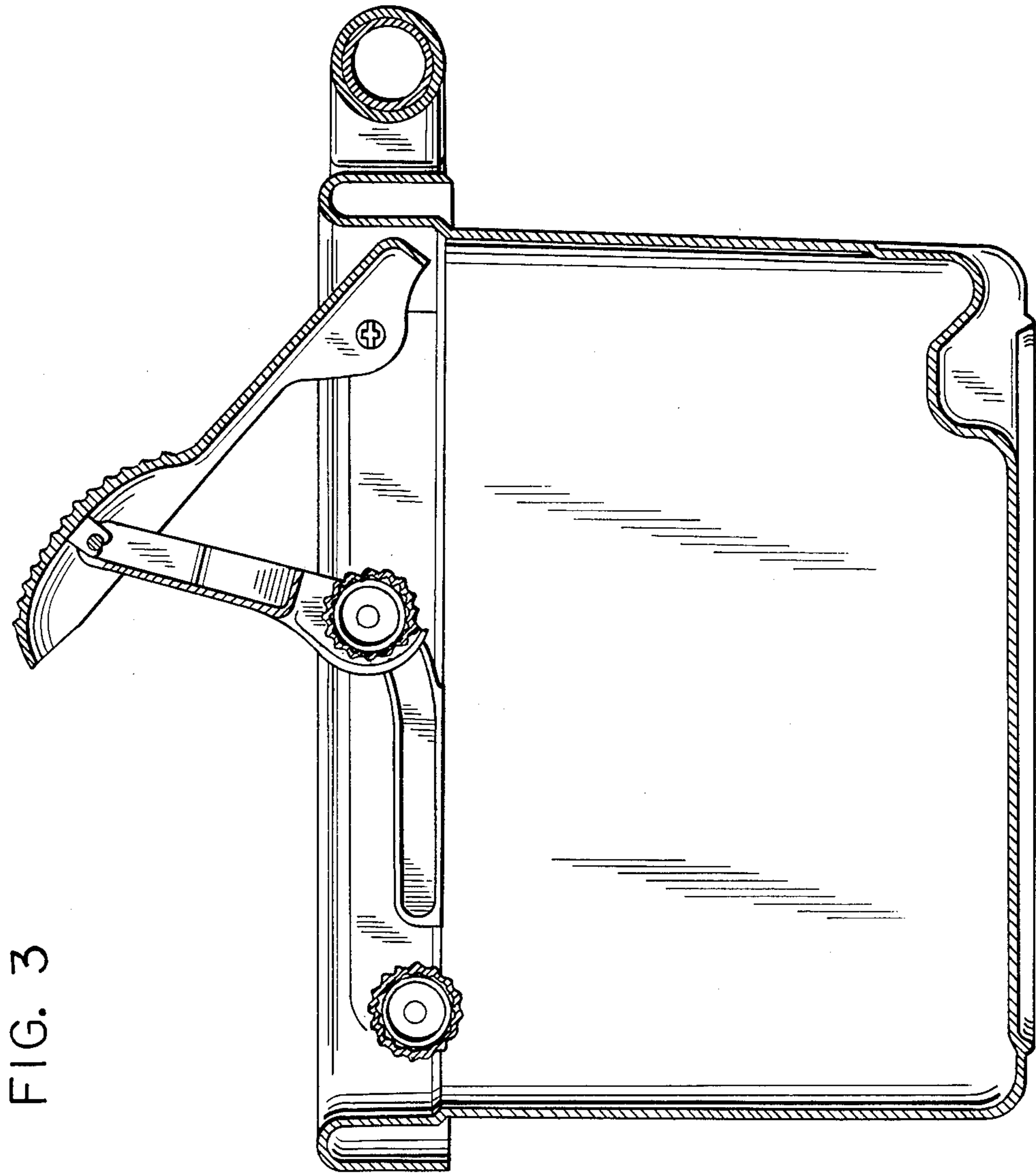


FIG. 3

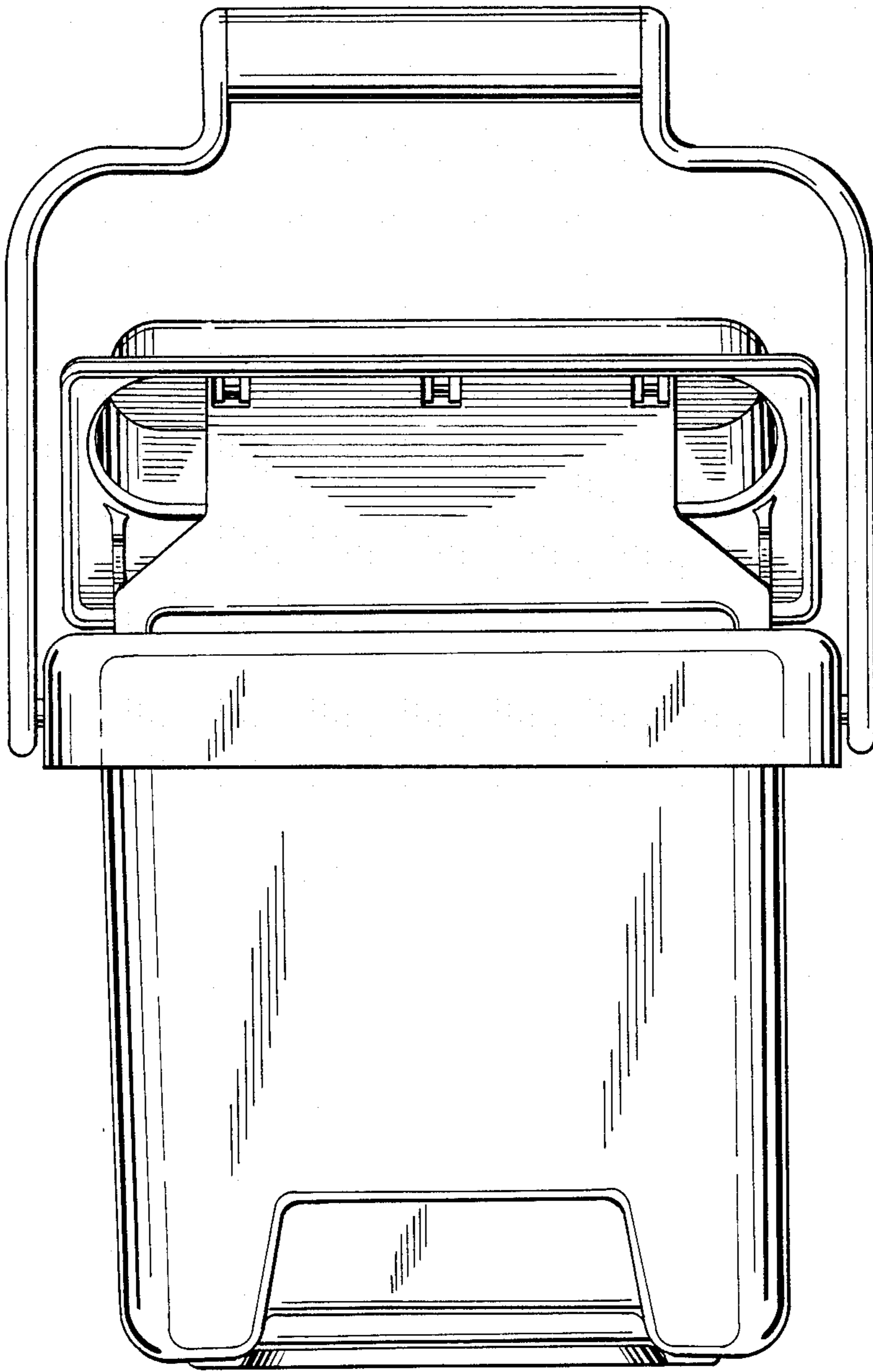


FIG. 7

FIG. 4

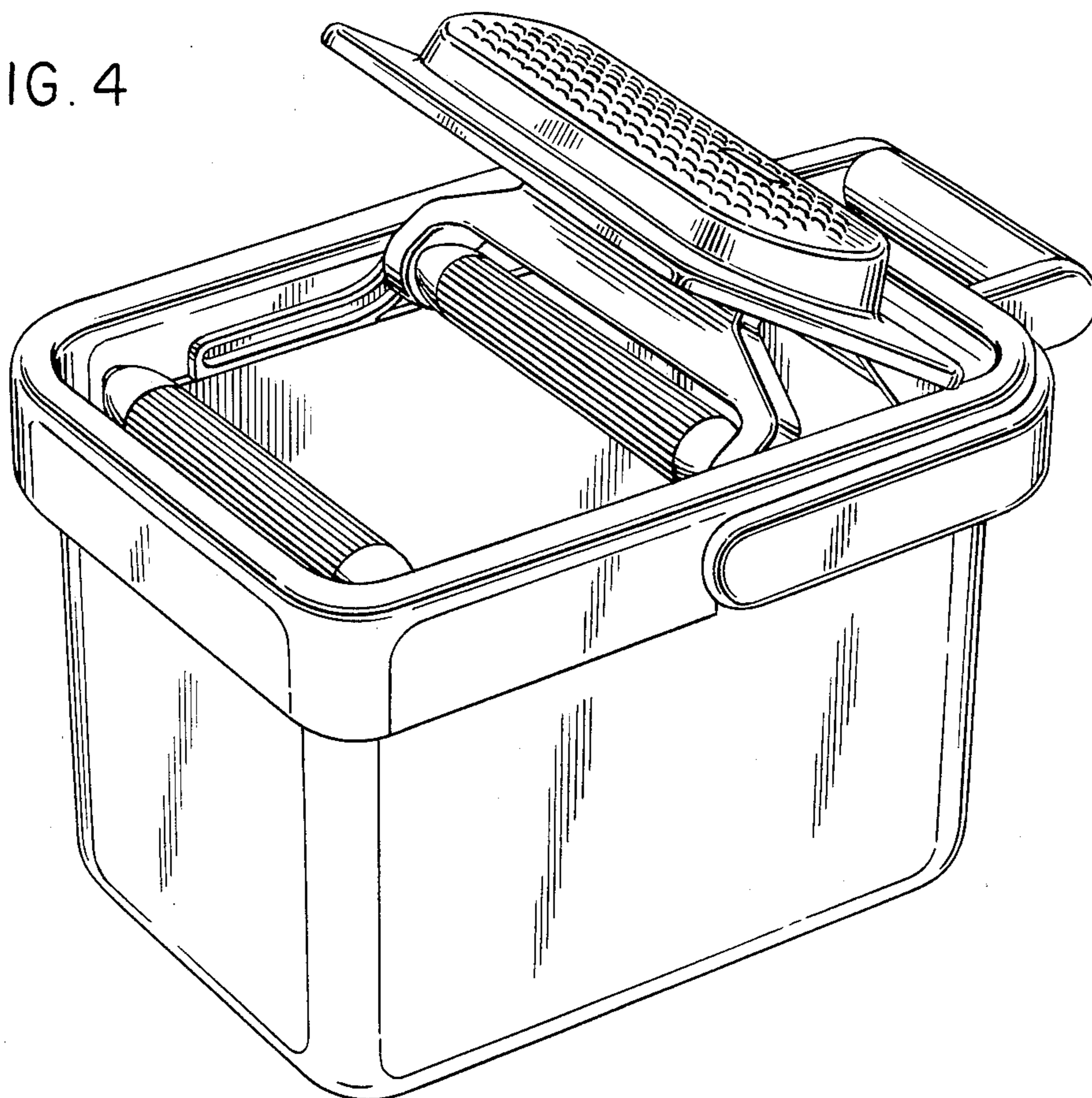
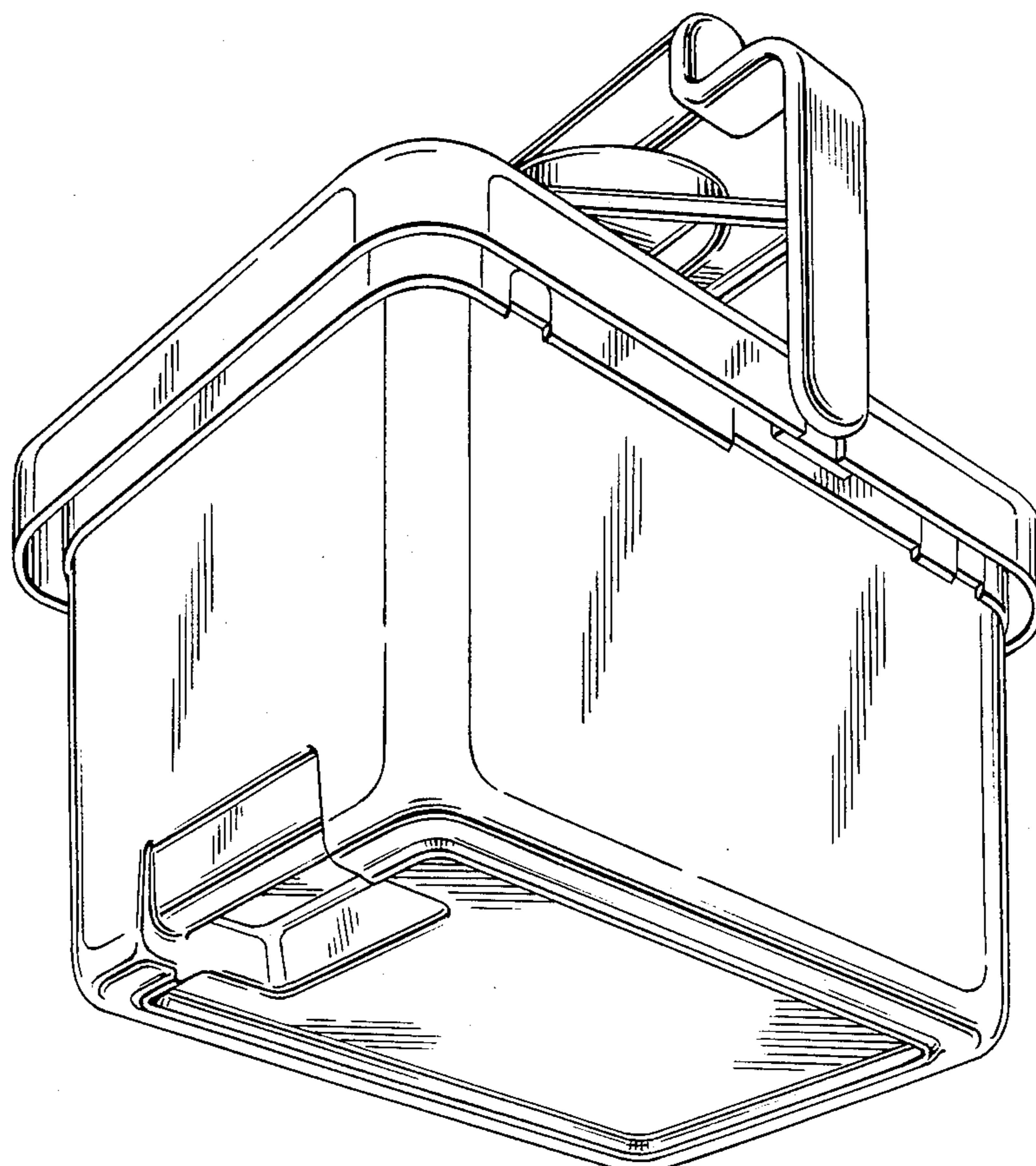


FIG. 5



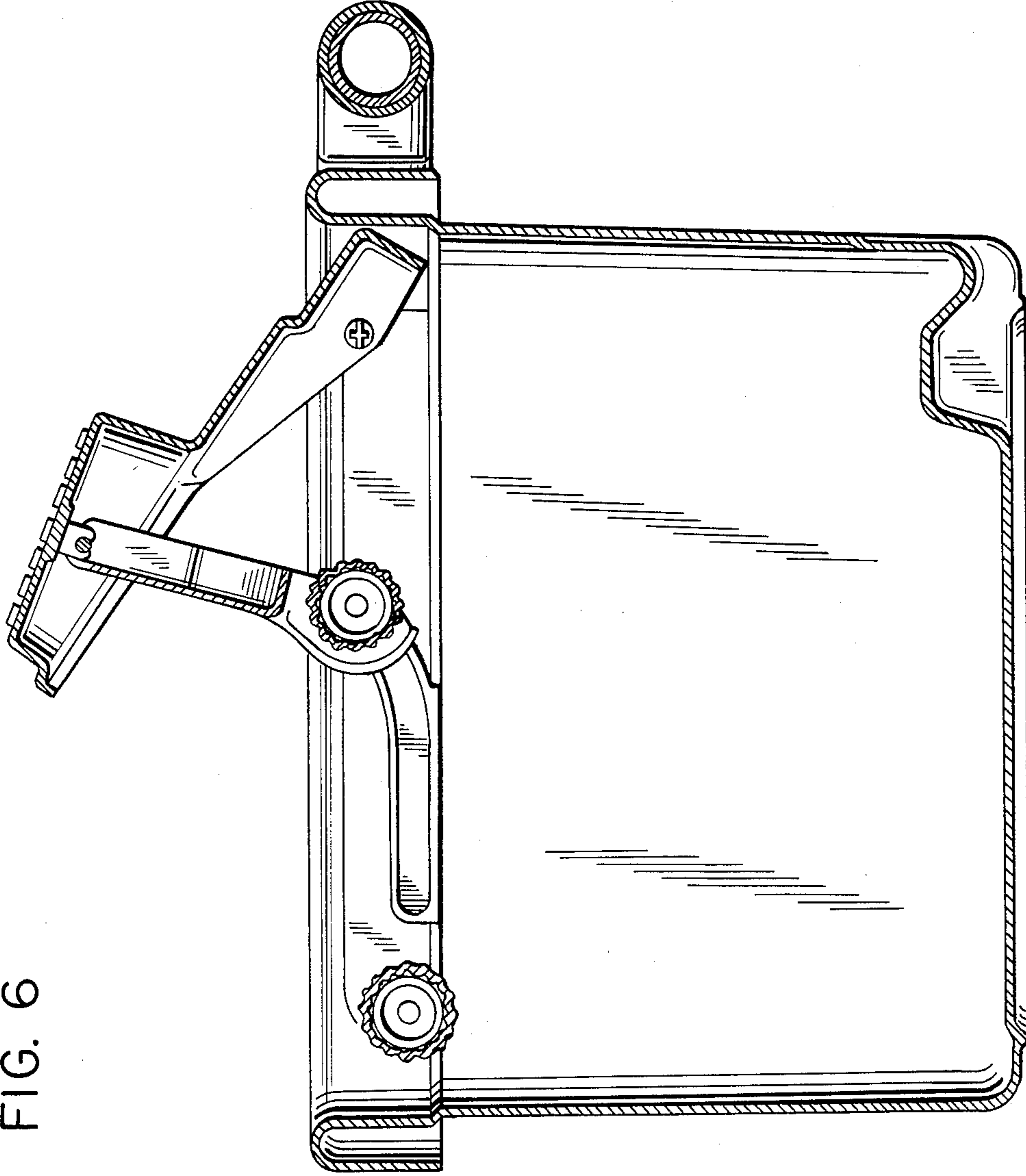


FIG. 6