

[54] WELDER'S HELMET WITH  
SENSOR-ACTUATED ILLUMINATION  
ATTACHMENT

2,628,530 2/1953 Rabben ..... 2/8 X  
2,759,188 8/1956 Maillart ..... 2/8 X  
4,646,363 3/1987 Wood ..... 2/8

[76] Inventor: Emil Bachik, 5122 Poplar St.,  
Anderson, Calif. 96007

Primary Examiner—Carmen H. Vales  
Attorney, Agent, or Firm—Terry M. Gernstein

[\*\*] Term: 14 Years

[57] CLAIM

[21] Appl. No.: 821,814

The ornamental design for a welder's helmet with sensor-actuated illumination attachment, as shown and described.

[22] Filed: Jan. 23, 1986

[52] U.S. Cl. .... D29/9

[58] Field of Search ..... D29/7, 8, 9, 16, 17;  
2/7, 8

DESCRIPTION

[56] References Cited

U.S. PATENT DOCUMENTS

Re. 29,684 6/1978 Gordon ..... 2/8 X  
D. 240,970 8/1976 Barta ..... D29/9  
2,410,256 10/1946 Anderson et al. .... 2/8  
2,569,715 10/1951 Green ..... 2/8

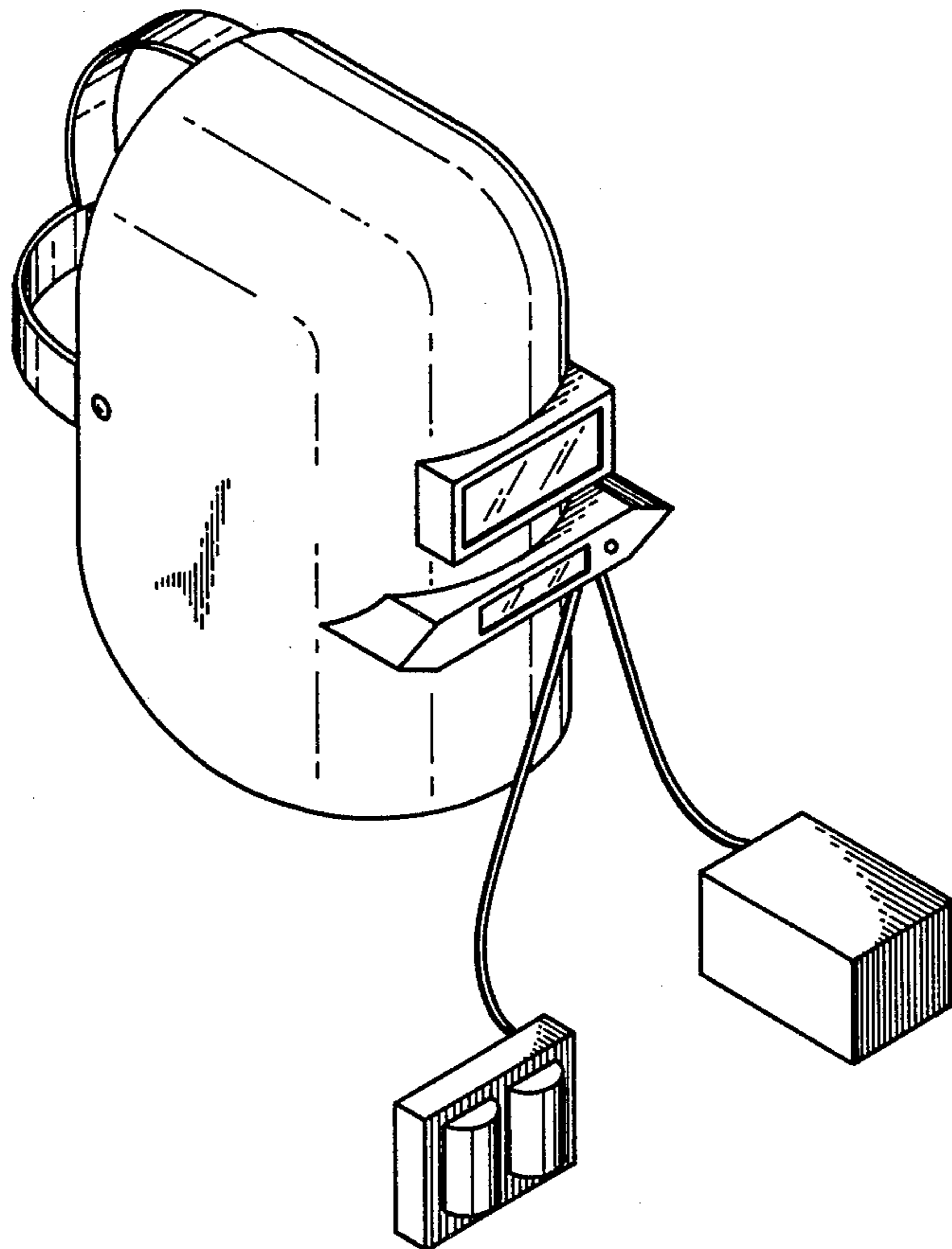
FIG. 1 is a front elevational view of a welder's helmet with sensor-actuated illumination attachment showing my new design.

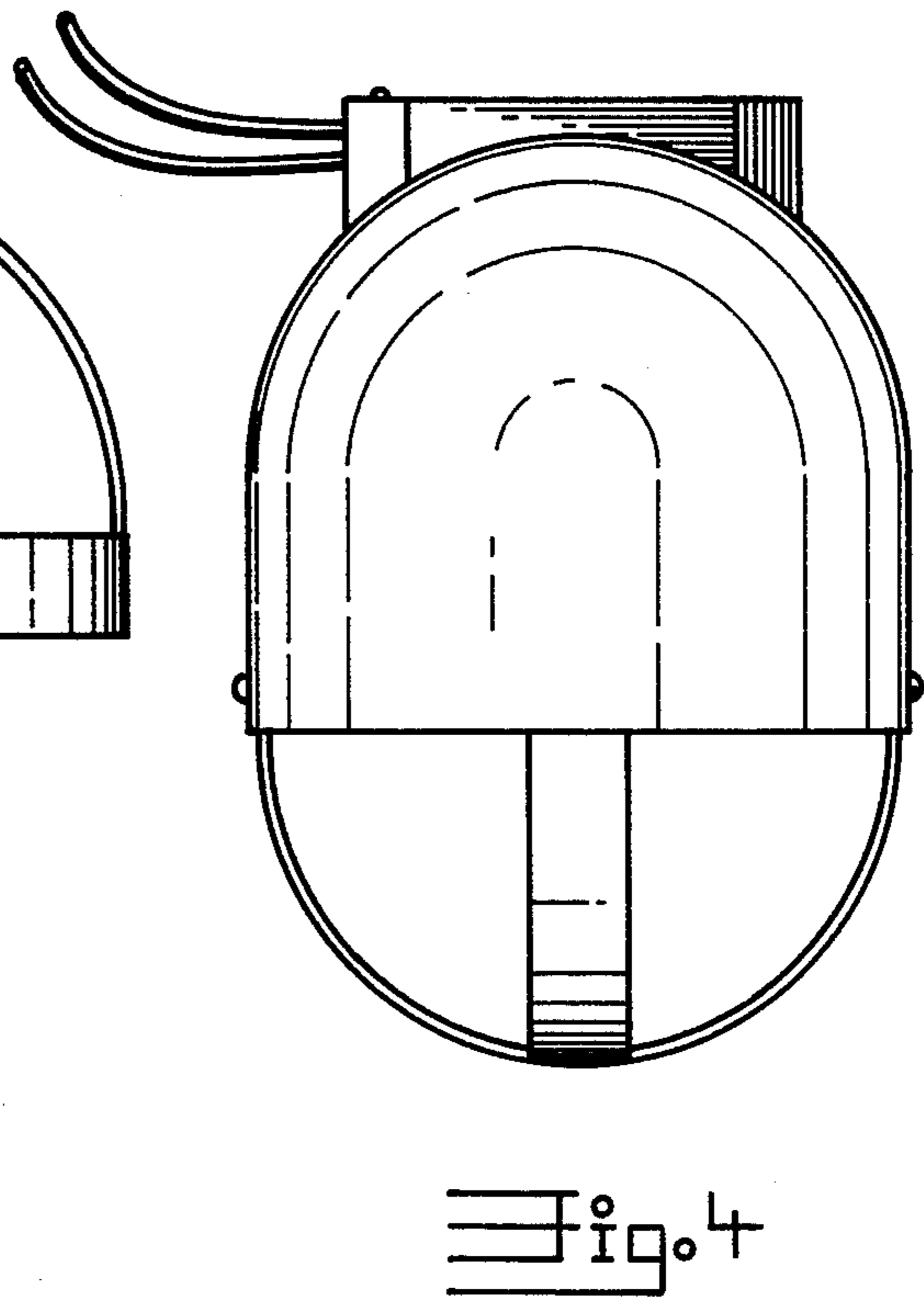
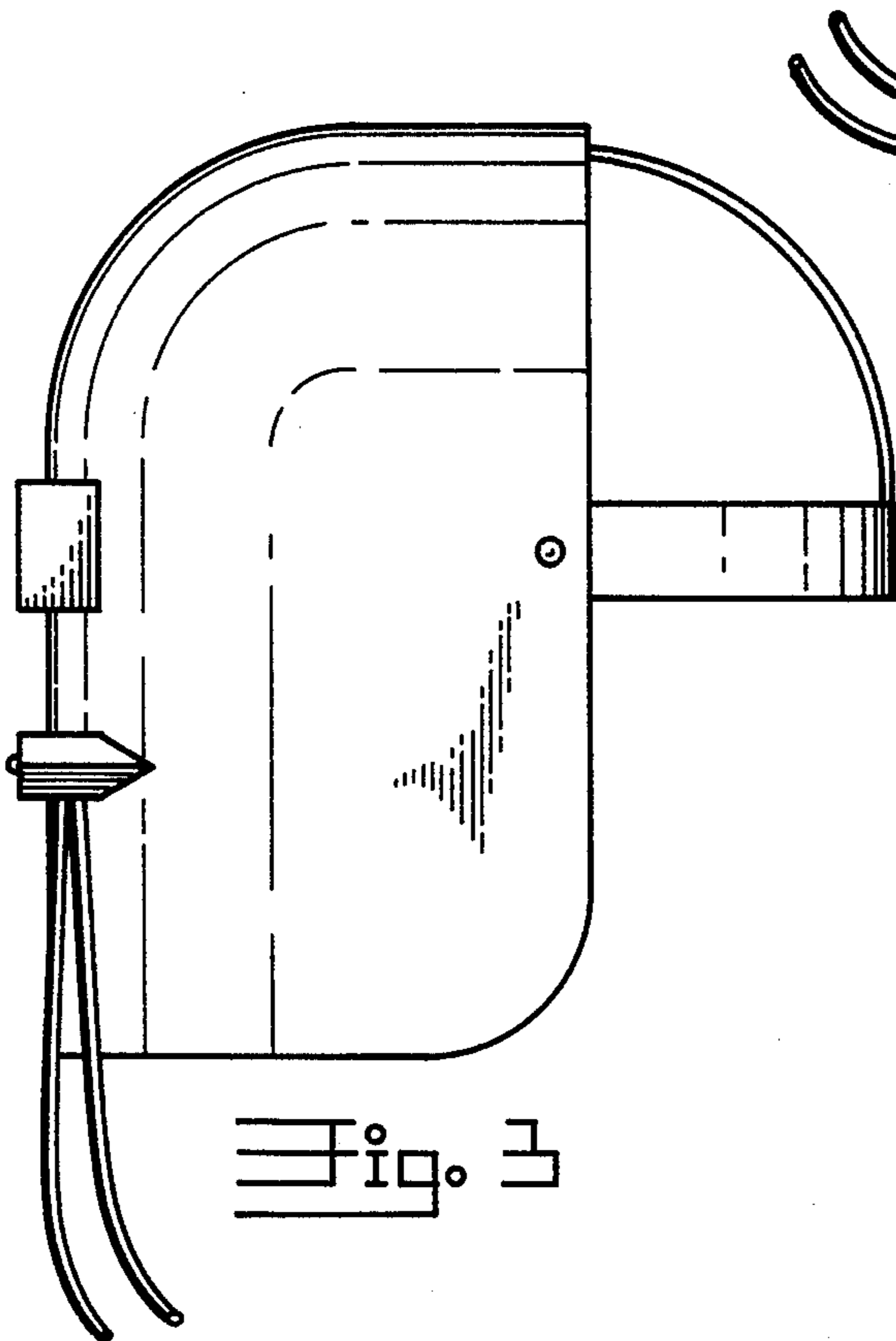
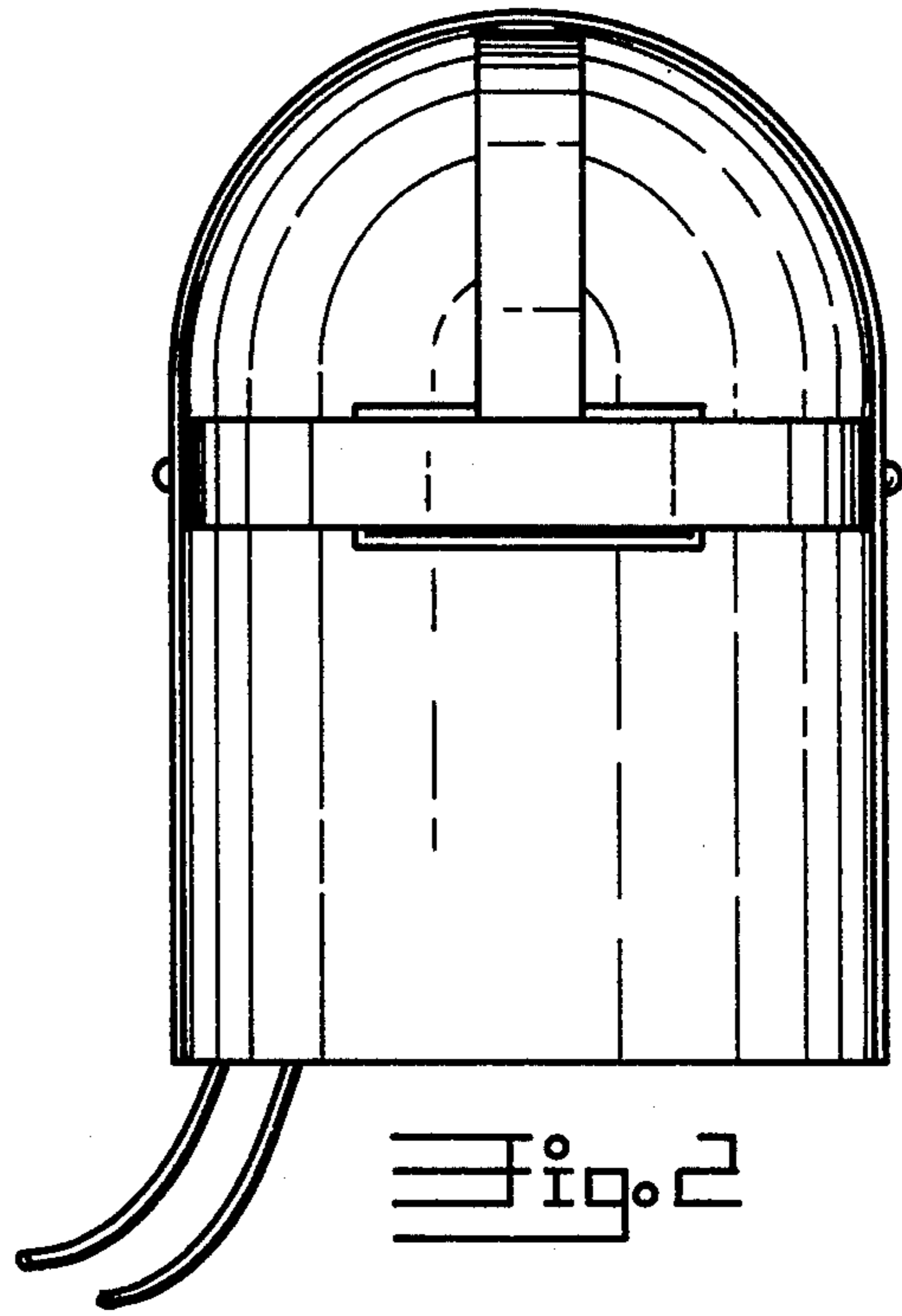
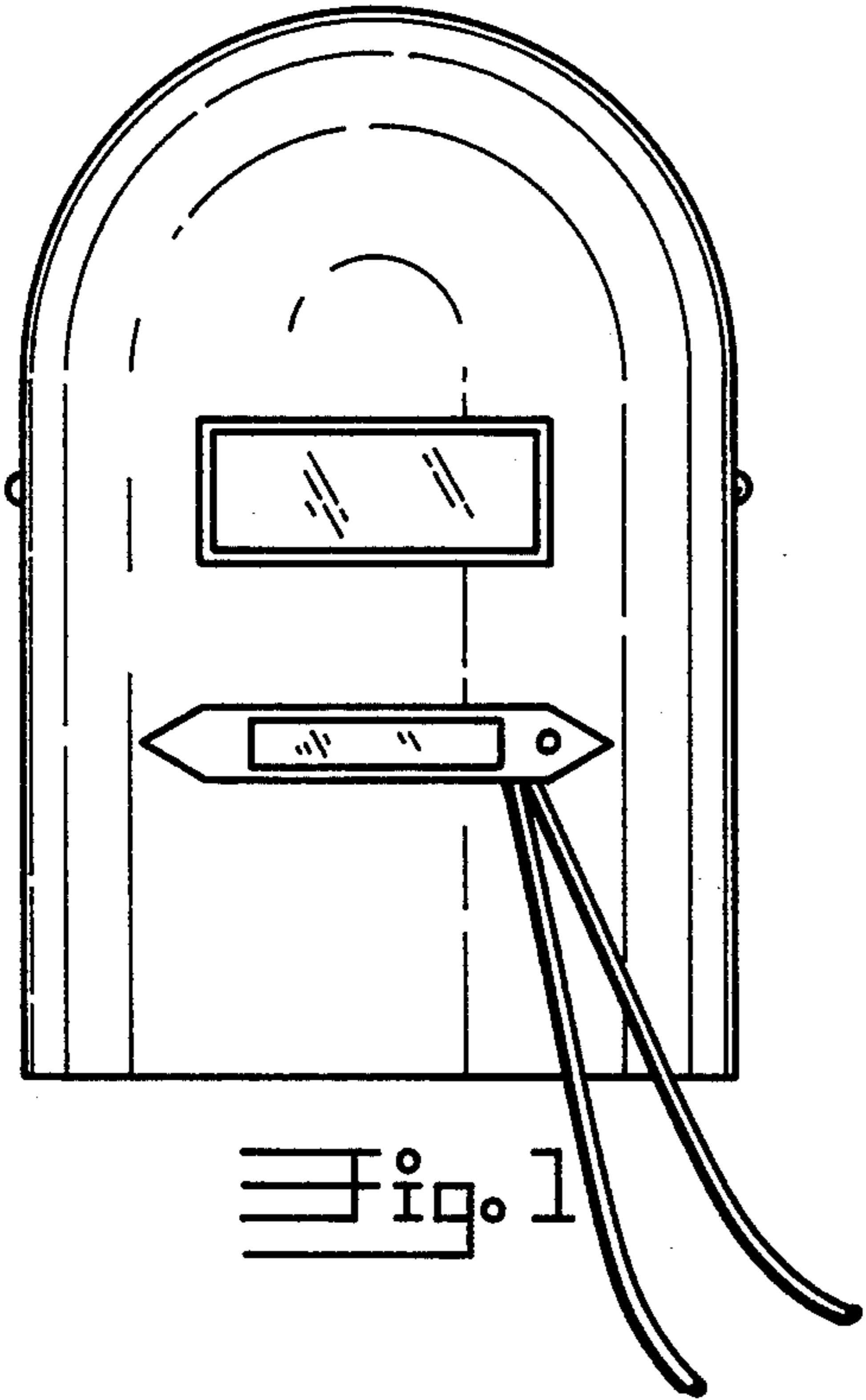
FIG. 2 is a rear elevational view thereof.

FIG. 3 is a side elevational view the opposite side being a mirror image thereof.

FIG. 4 is a top plan view thereof; and

FIG. 5 is a perspective view thereof.





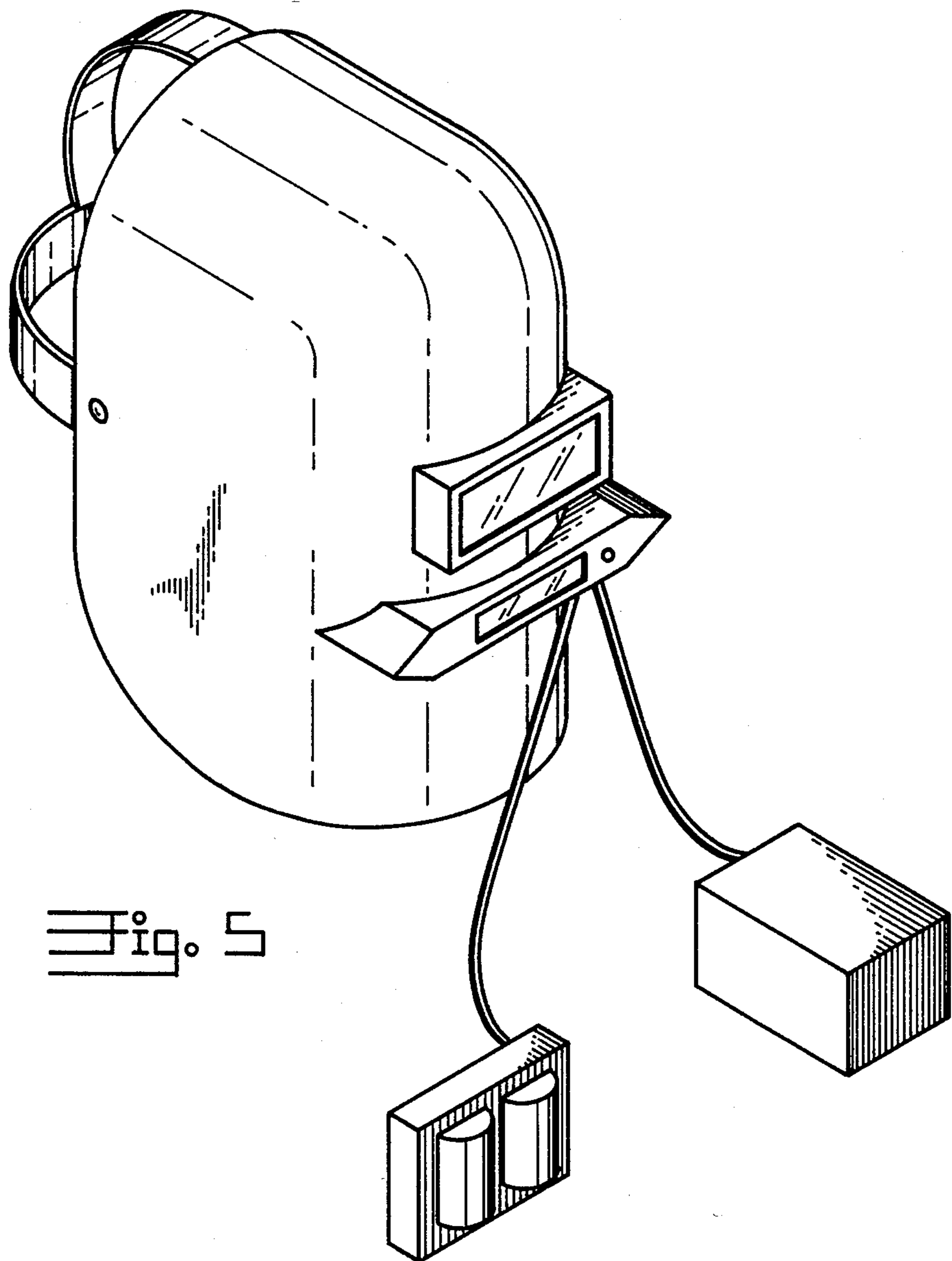


Fig. 5