

[54] PORTABLE LANTERN

3,252,733 5/1966 Moore et al. D26/48 X R

[76] Inventor: James E. Byrns, 1027 2nd Ave. S.,
Clinton, Iowa 52732

Primary Examiner—Susan J. Lucas
Attorney, Agent, or Firm—Thomas J. Greer, Jr.

[**] Term: 14 Years

[57] CLAIM

[21] Appl. No.: 851,419

The ornamental design for a portable lantern, as shown
and described.

[22] Filed: Apr. 11, 1986

[52] U.S. Cl. D26/48

DESCRIPTION

[58] Field of Search D26/37-50;
362/157, 158, 183-191, 194-208

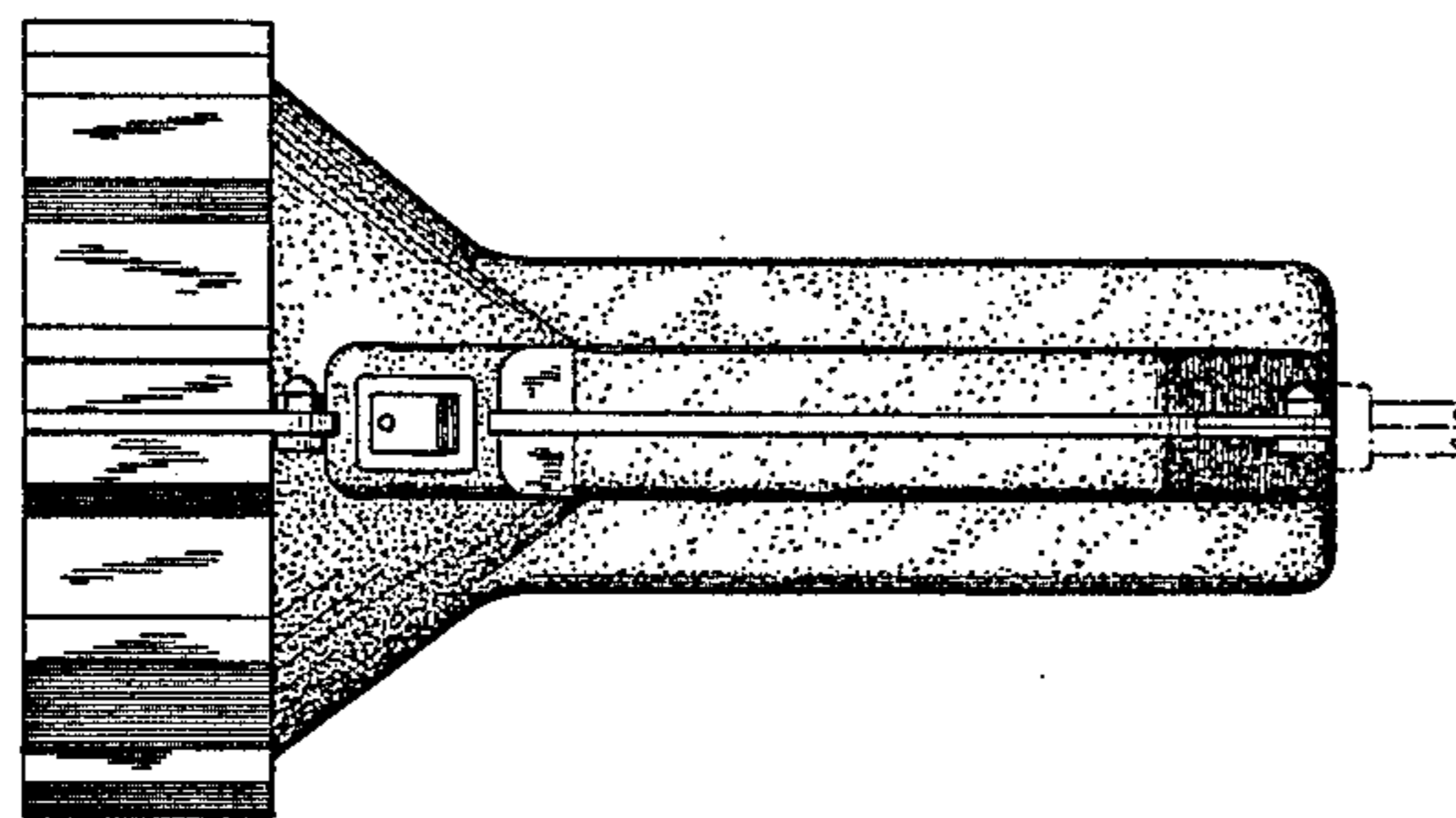
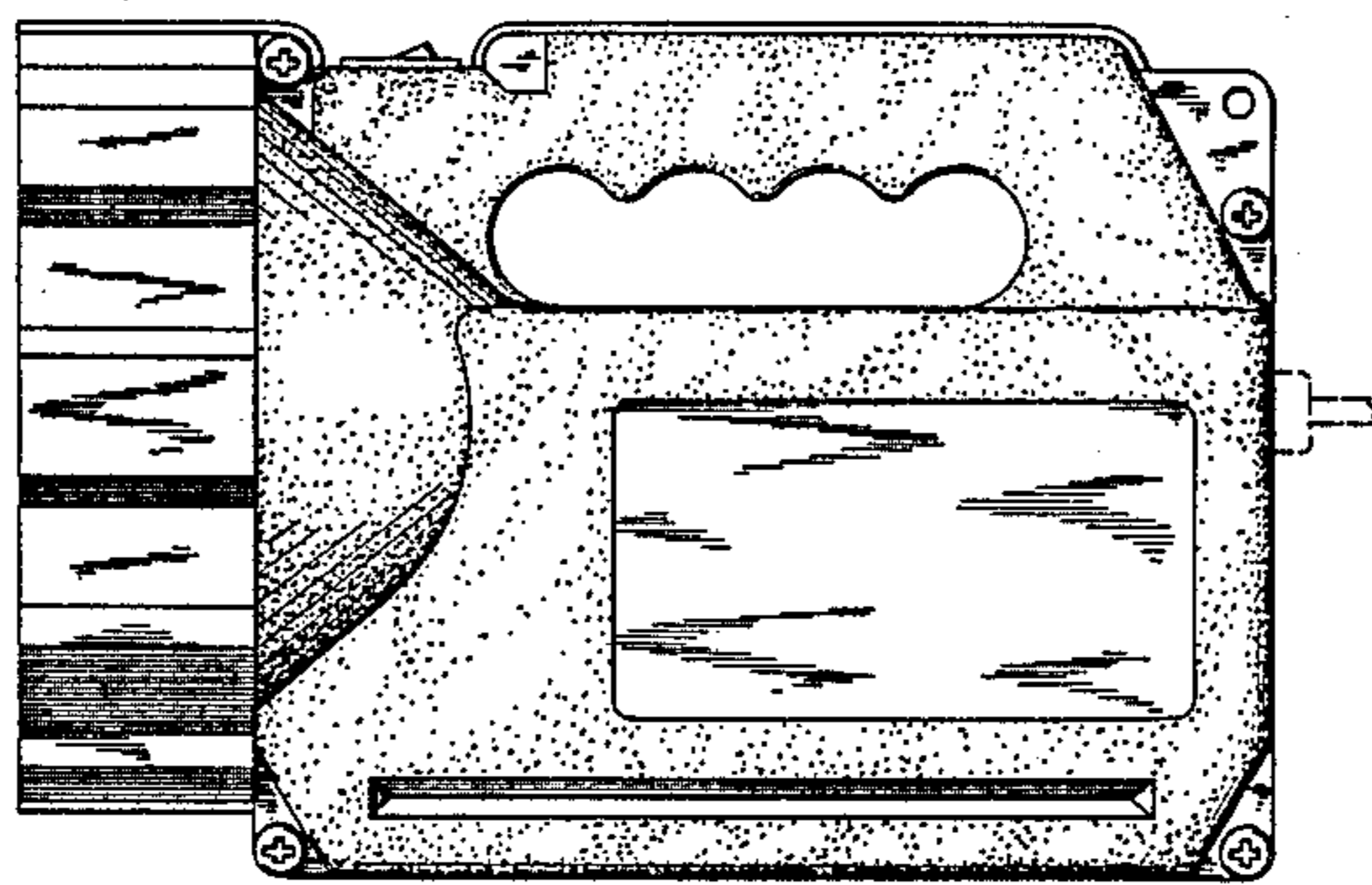
FIG. 1 is a side elevational view of a portable lantern
showing my new design, the other side being identical.
FIG. 2 is a top plan view of the lantern;
FIG. 3 is a front elevational view of the lantern;
FIG. 4 is a rear elevational view of the lantern;
FIG. 5 is a bottom plan view of the lantern.

[56] References Cited

U.S. PATENT DOCUMENTS

- D. 228,305 9/1973 Kahn D26/48
- D. 284,309 6/1986 Schosser et al. D26/48
- D. 289,800 5/1987 Fenne D26/48

The broken lines are shown for illustrative purposes
only.



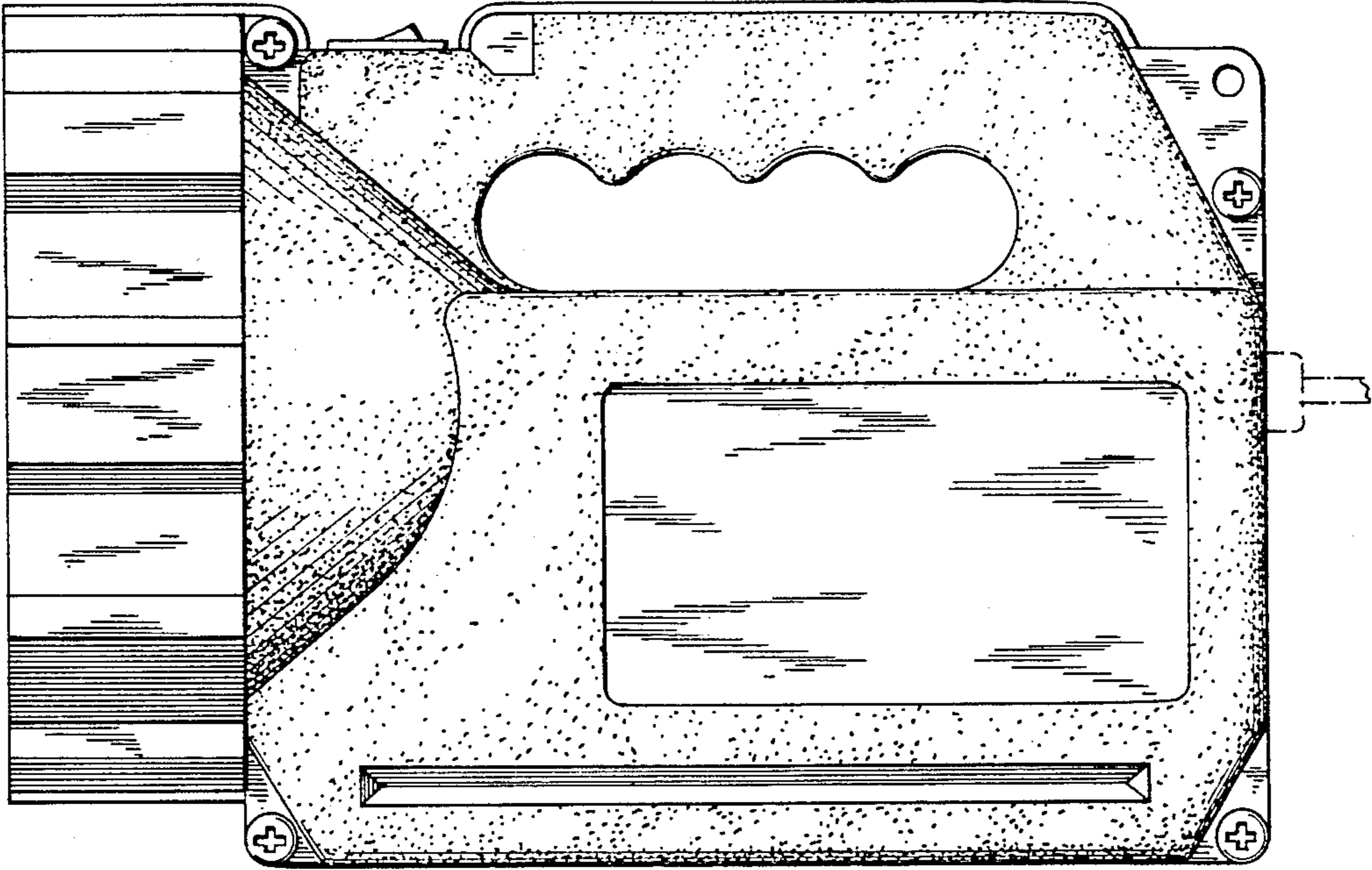


FIG. 1

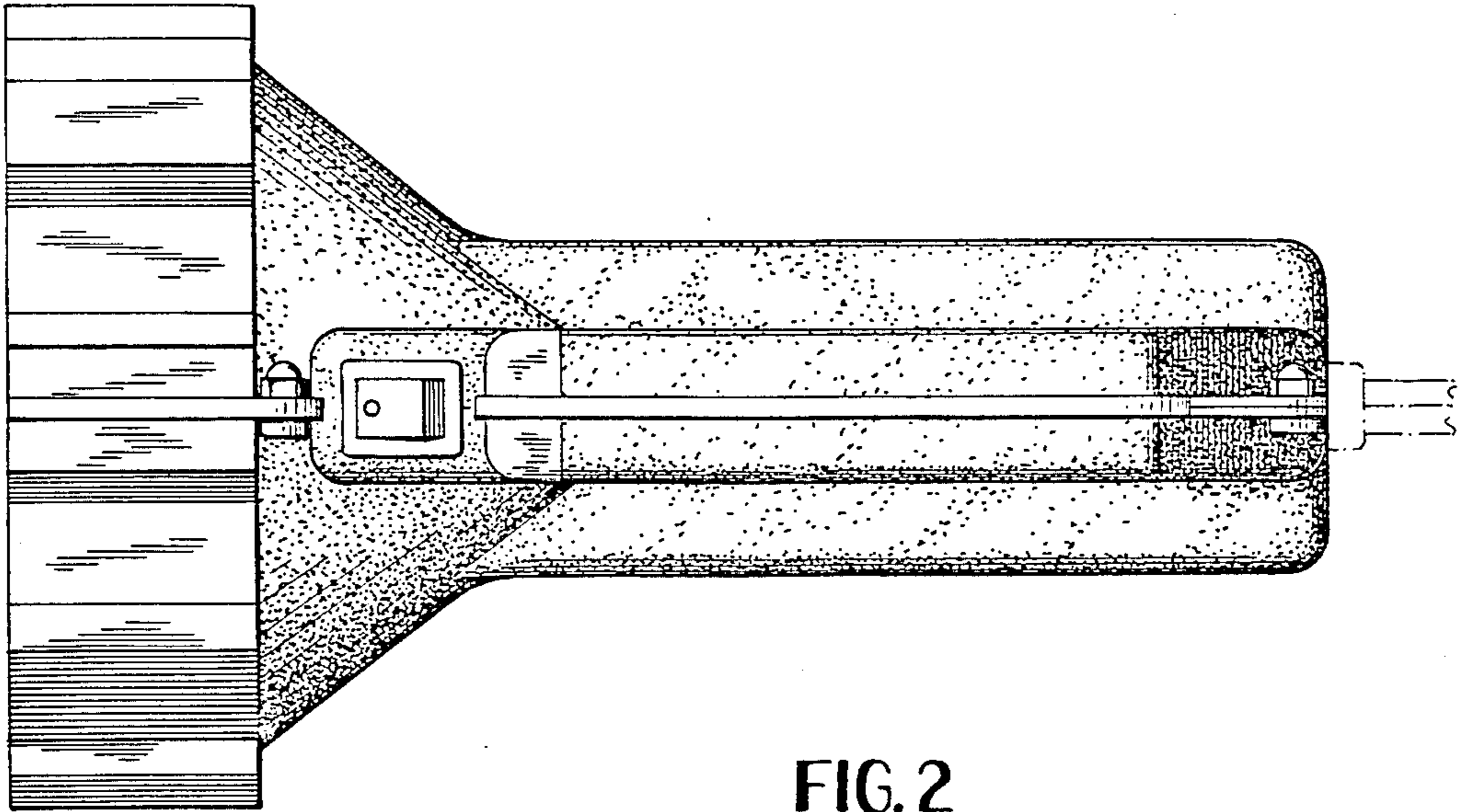


FIG. 2

FIG. 3

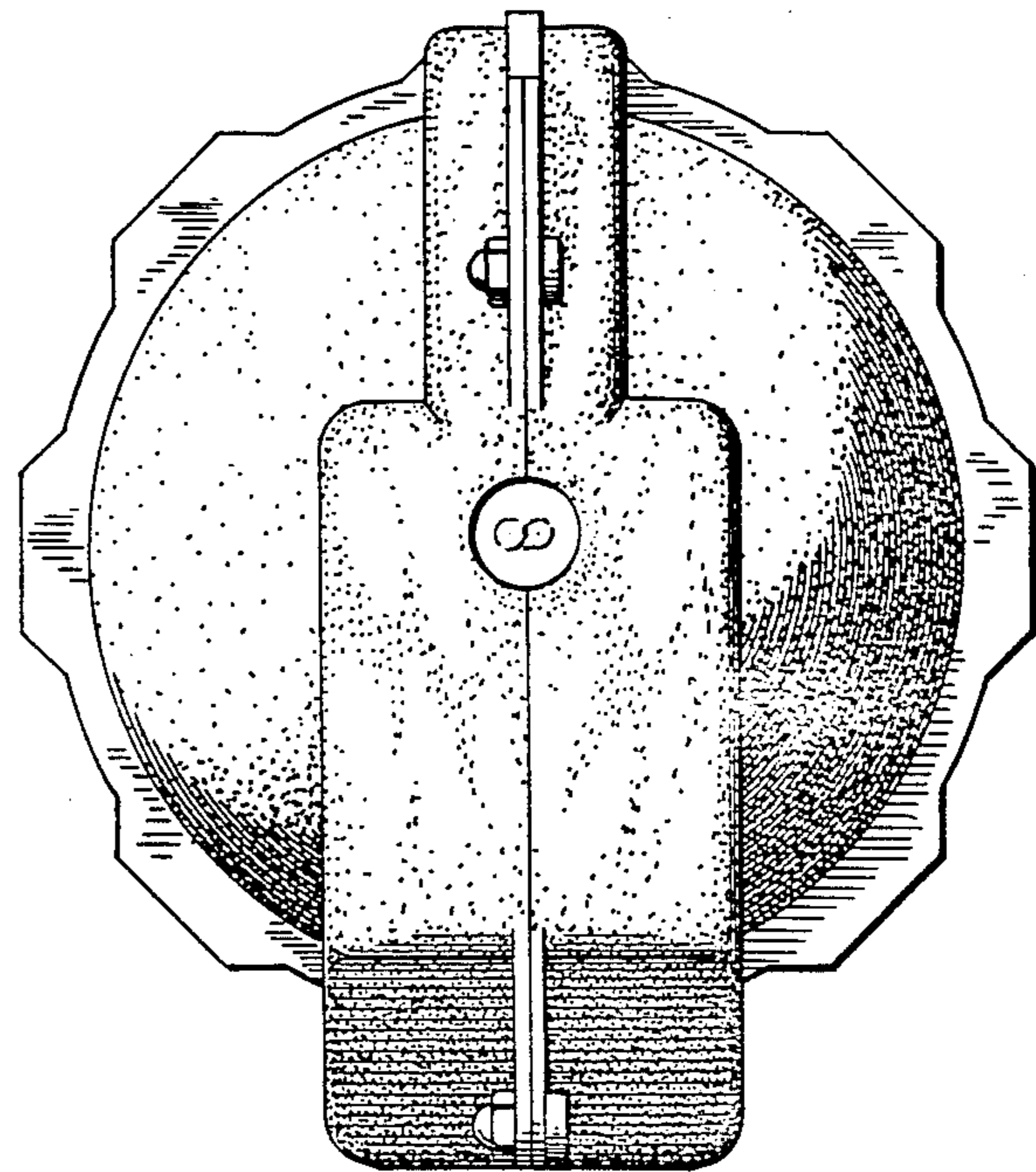
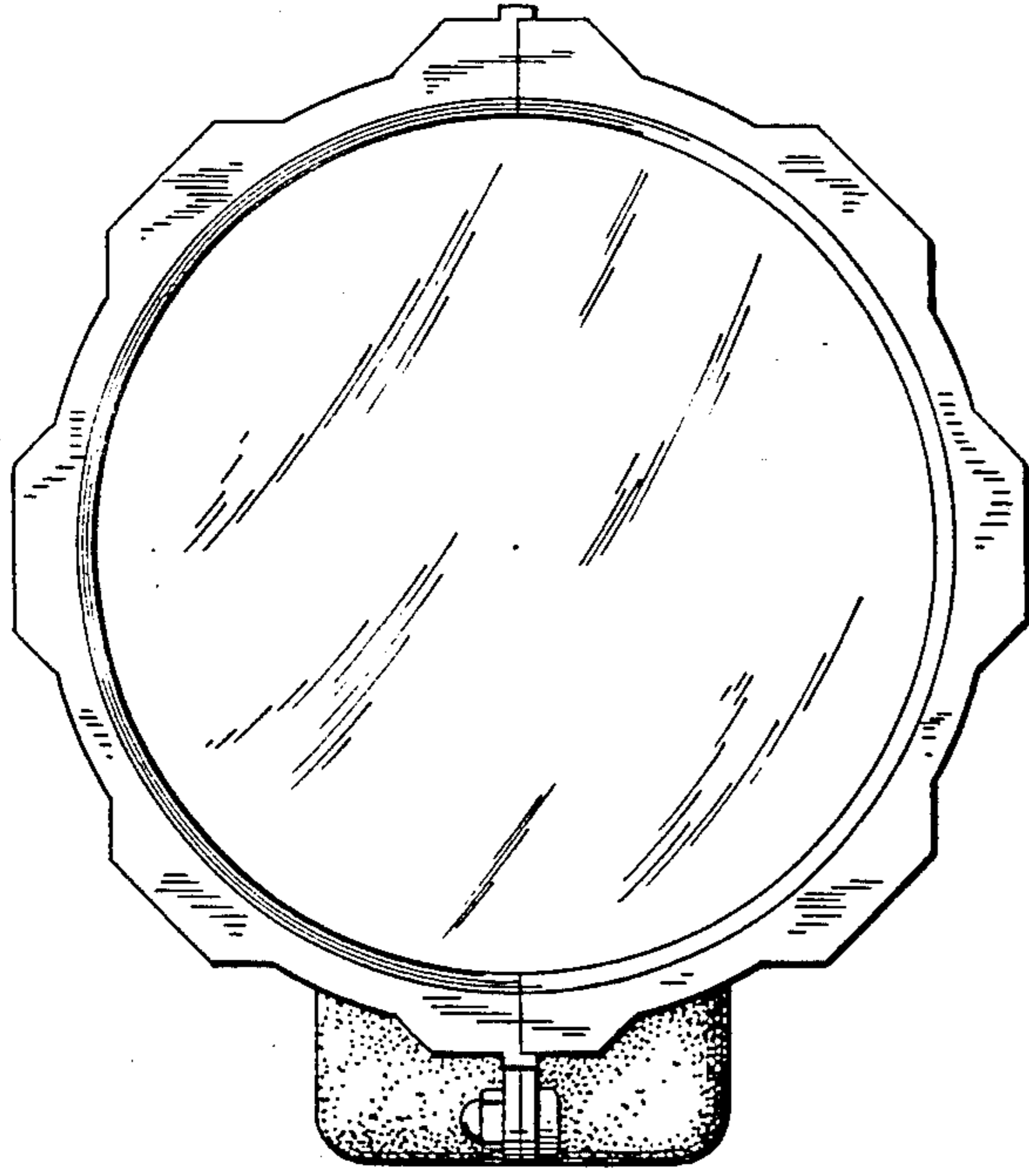


FIG. 4

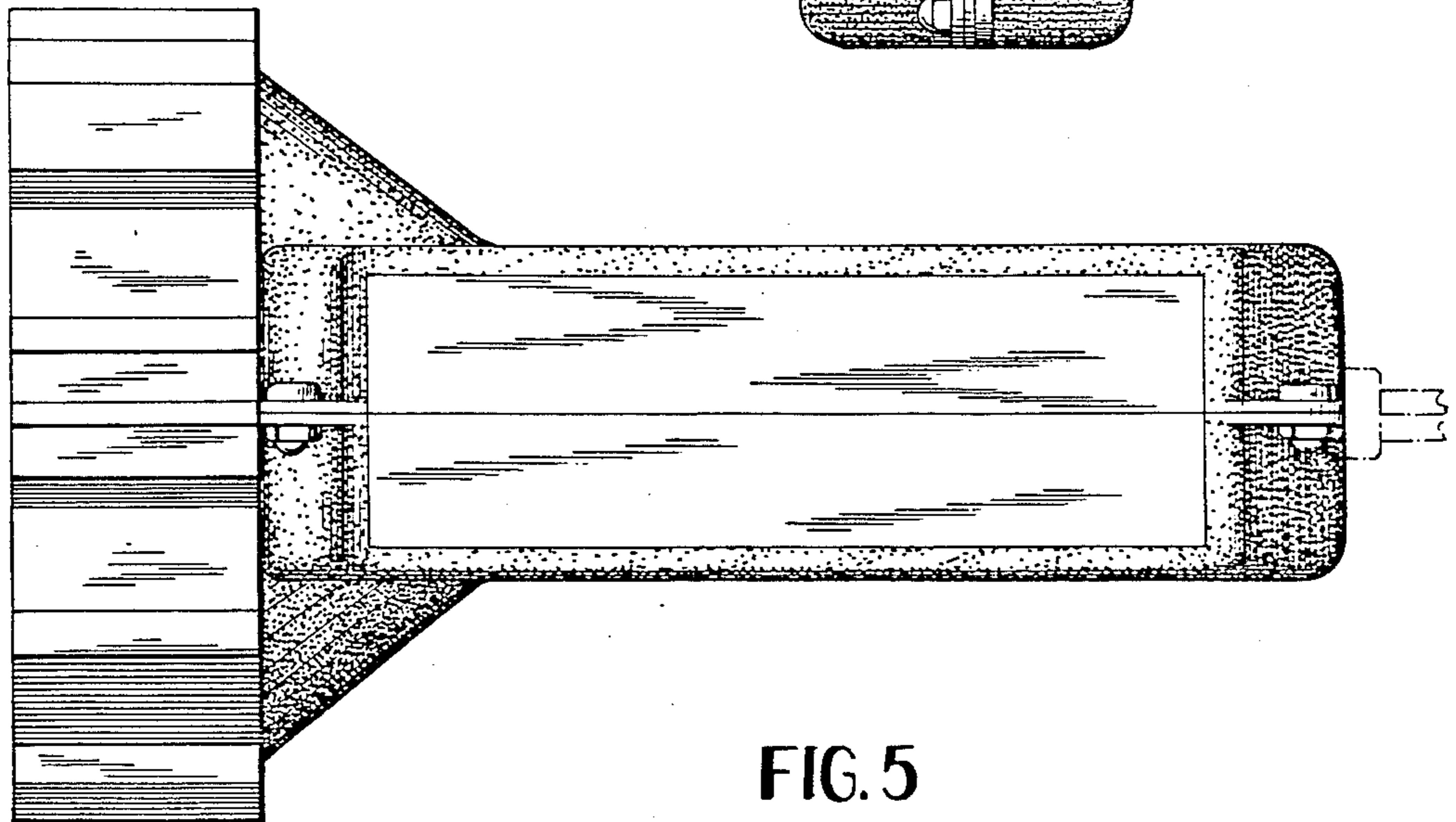


FIG. 5