

[54] **SURGICAL STAPLER**  
[75] **Inventor: August L. Powell, Livonia Township, Sherburne County, Minn.**  
[73] **Assignee: Minnesota Mining and Manufacturing Company, Saint Paul, Minn.**  
[\*\*] **Term: 14 Years**  
[21] **Appl. No.: 827,518**  
[22] **Filed: Feb. 10, 1986**  
[52] **U.S. Cl. .... D24/27; D24/26**  
[58] **Field of Search ..... D24/27, 26, 28; 227/19, 227/DIG. 1; 128/305, 325, 334 R, 335, 337; D8/49, 50, 51, 68**

[56] **References Cited**  
**U.S. PATENT DOCUMENTS**  
D. 282,400 1/1986 Guy et al. .... D24/26

4,204,623 5/1980 Green ..... 227/19  
4,470,532 9/1984 Froehlich ..... 227/19

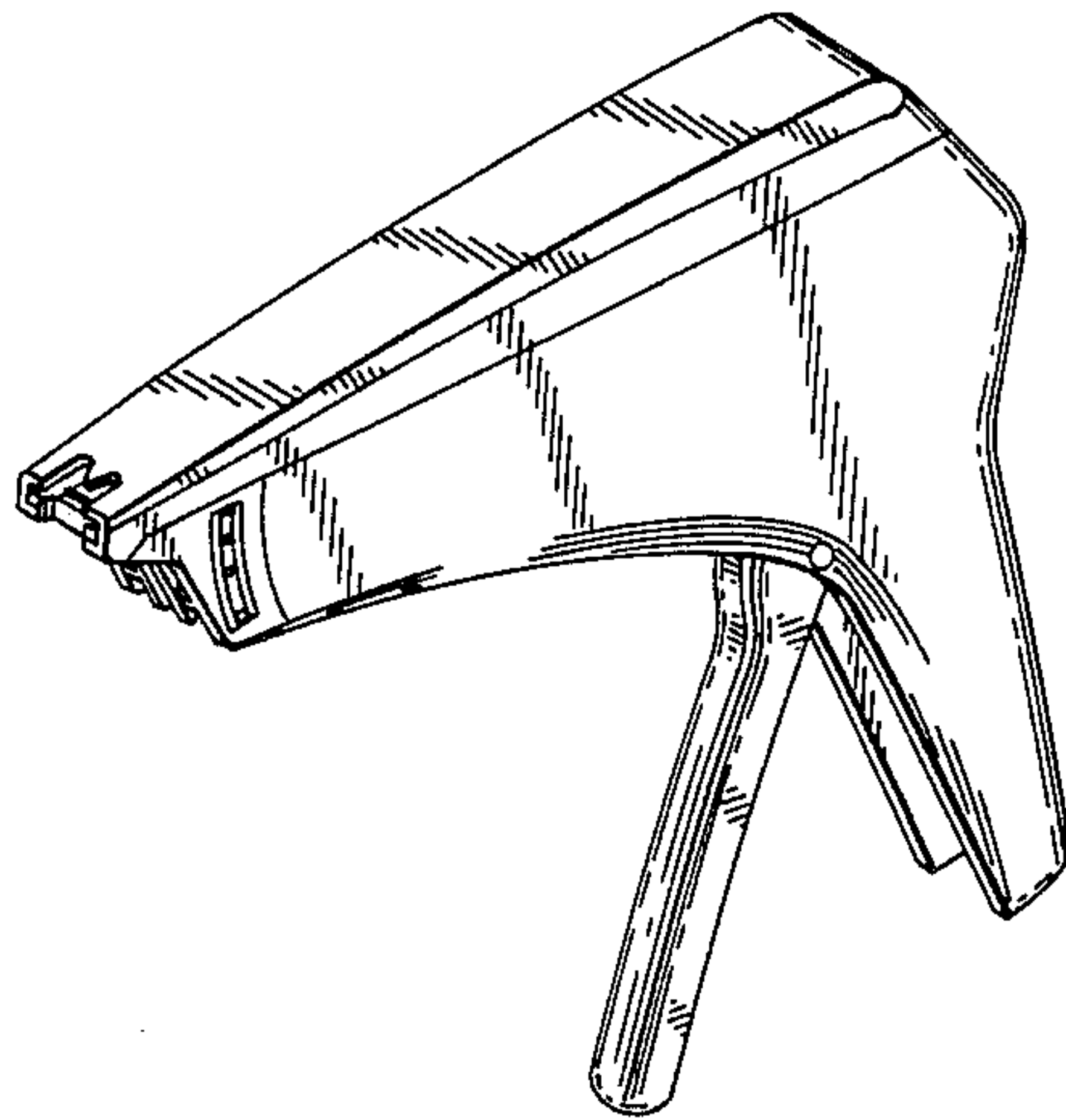
*Primary Examiner*—A. Hugo Word  
*Assistant Examiner*—Stella M. Reid  
*Attorney, Agent, or Firm*—Donald M. Sell; William L. Huebsch

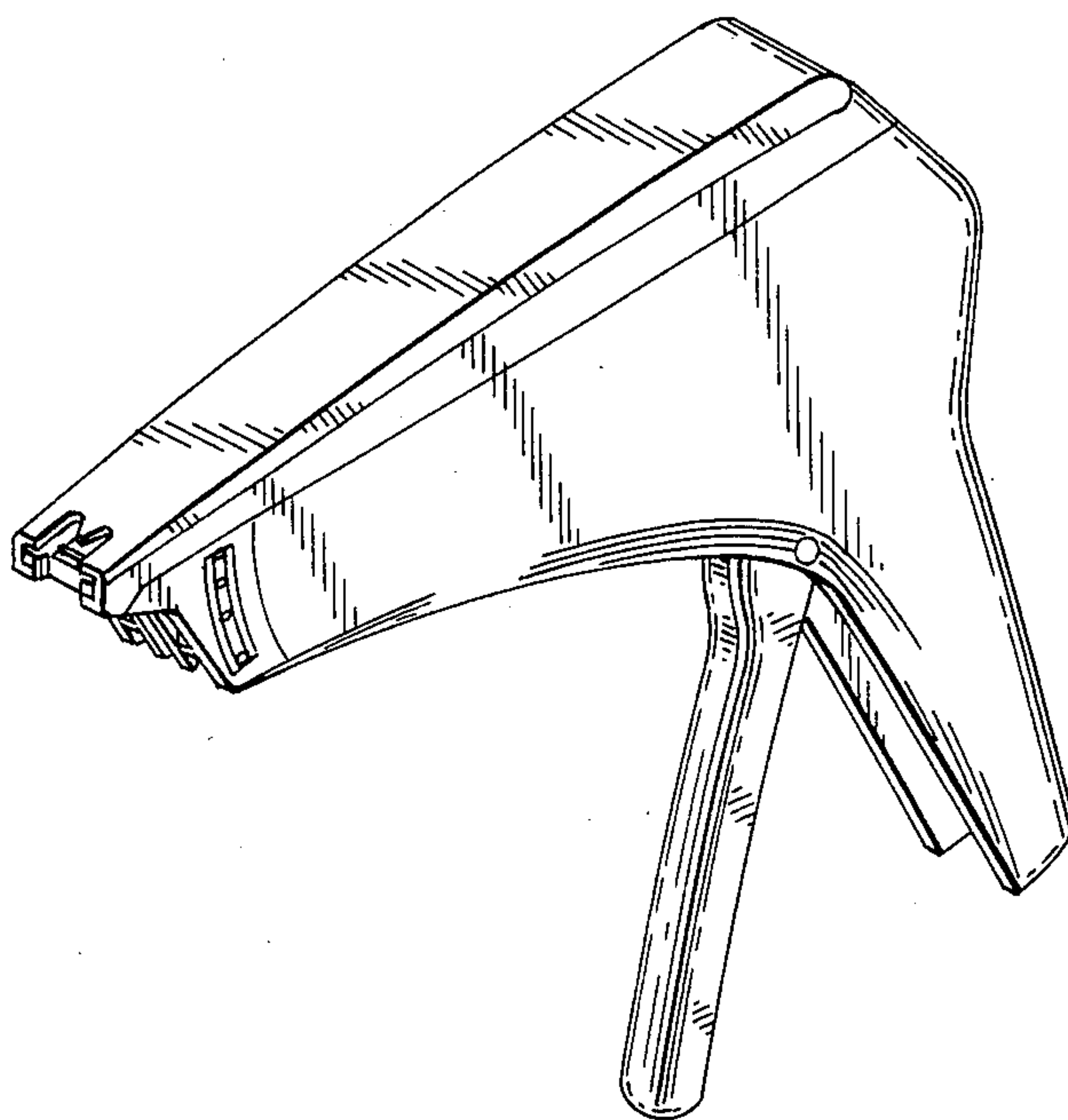
[57] **CLAIM**

The ornamental design for a surgical stapler, as shown and described.

**DESCRIPTION**

FIG. 1 is a perspective view of a surgical stapler showing my new design;  
FIG. 2 is a right side view thereof, the left side view being a mirror image thereof;  
FIG. 3 is a front view thereof;  
FIG. 4 is a top plan view thereof;  
FIG. 5 is a rear view thereof; and  
FIG. 6 is a bottom plan view thereof.

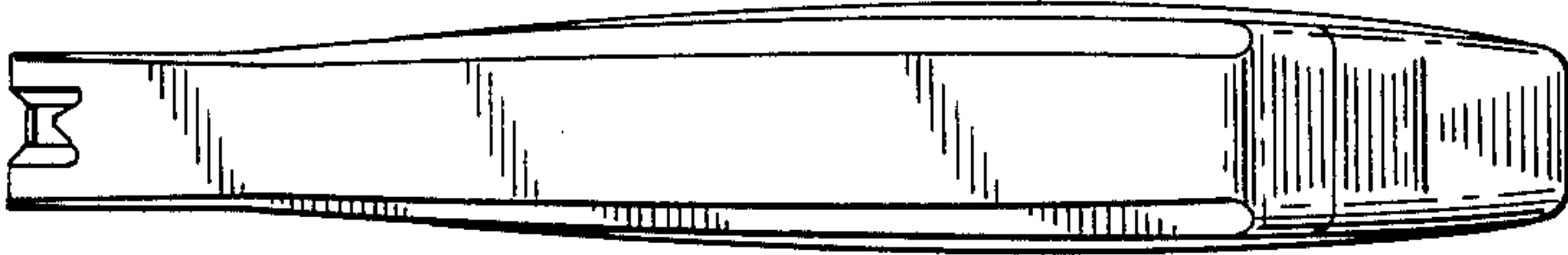




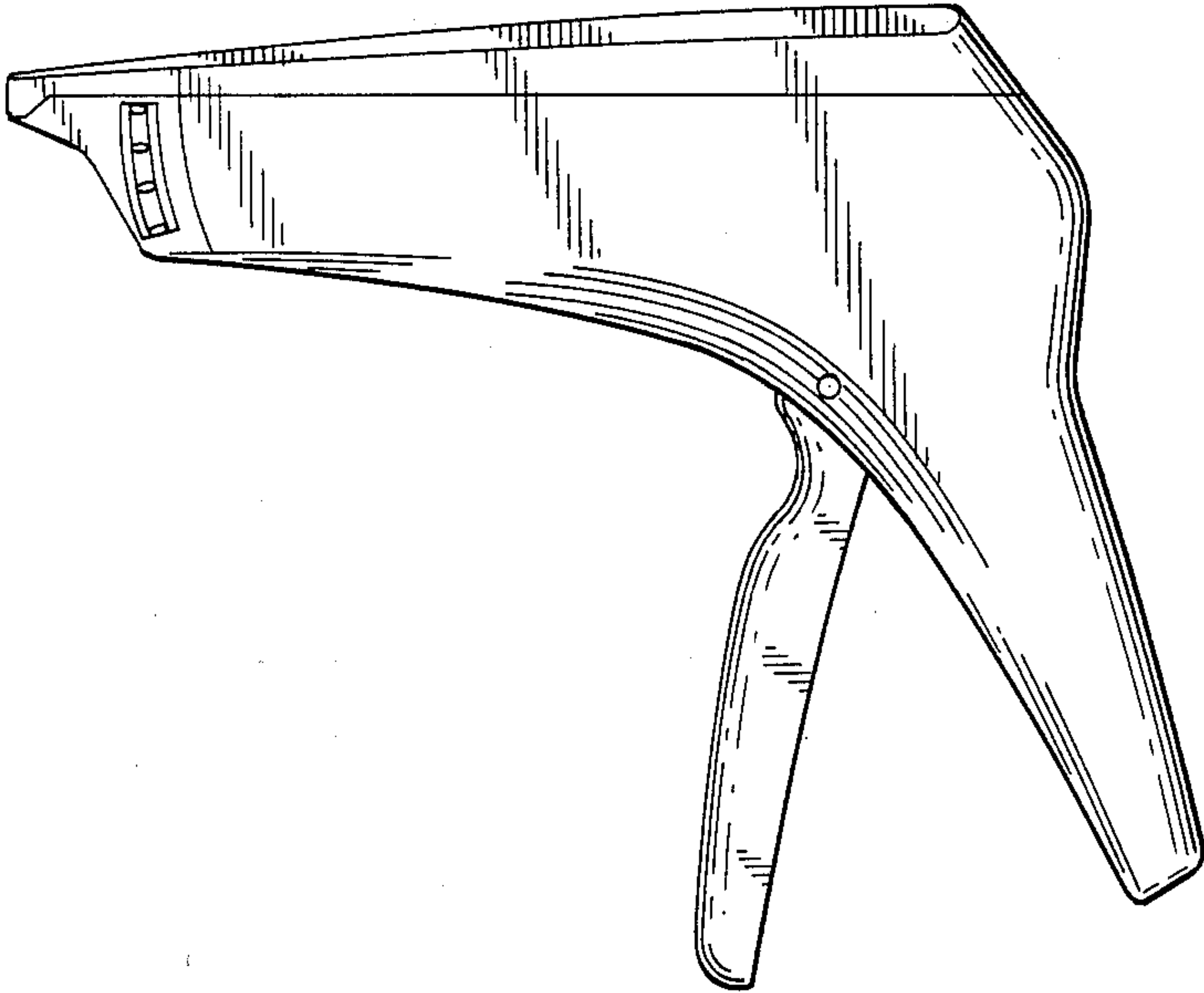
*FIG. 1*



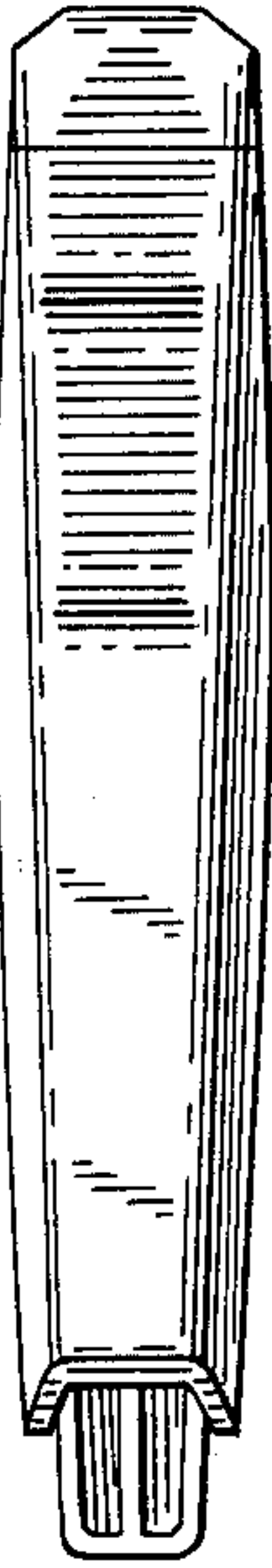
*FIG. 3*



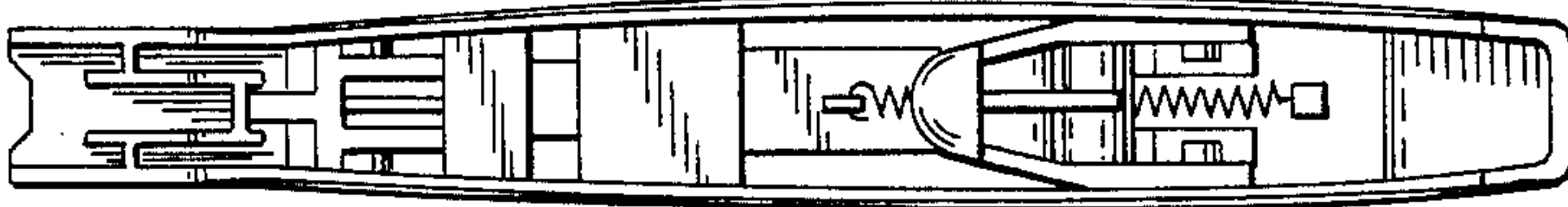
*FIG. 4*



*FIG. 2*



*FIG. 5*



*FIG. 6*