

[54] **OPENER FOR A PRESSURIZED INJECTION AMPOULE**

[75] **Inventor: Howard W. Biddle, Histon, England**

[73] **Assignee: Leo Pharmaceutical Products Ltd., Ballerup, Denmark**

[**] **Term: 14 Years**

[21] **Appl. No.: 766,358**

[22] **Filed: Aug. 16, 1985**

[30] **Foreign Application Priority Data**

Feb. 28, 1985 [GB] United Kingdom 1025293

[52] **U.S. Cl.** D24/25; D24/8; D24/27

[58] **Field of Search** D24/29, 8, 25, 27; 225/93, 96.5, 103; 81/488; 604/200

[56] **References Cited**

U.S. PATENT DOCUMENTS

D. 291,489	8/1987	Dudnyk	D24/8
3,999,451	12/1976	Ogle	225/93
4,508,250	4/1985	Punchak	225/93
4,570,838	2/1986	Szemere et al.	225/93

Primary Examiner—A. Hugo Word

Assistant Examiner—Stella M. Reid

Attorney, Agent, or Firm—Cushman, Darby & Cushman

[57] **CLAIM**

The ornamental design for an opener for a pressurized injection ampoule, as shown.

DESCRIPTION

FIG. 1 is a perspective view of an opener for a pressurized injection ampoule showing my new design;

FIG. 2 is an end elevational view thereof;

FIG. 3 is an opposite end elevational view thereof;

FIG. 4 is a side elevational view thereof; and

FIG. 5 is a top plan view thereof.

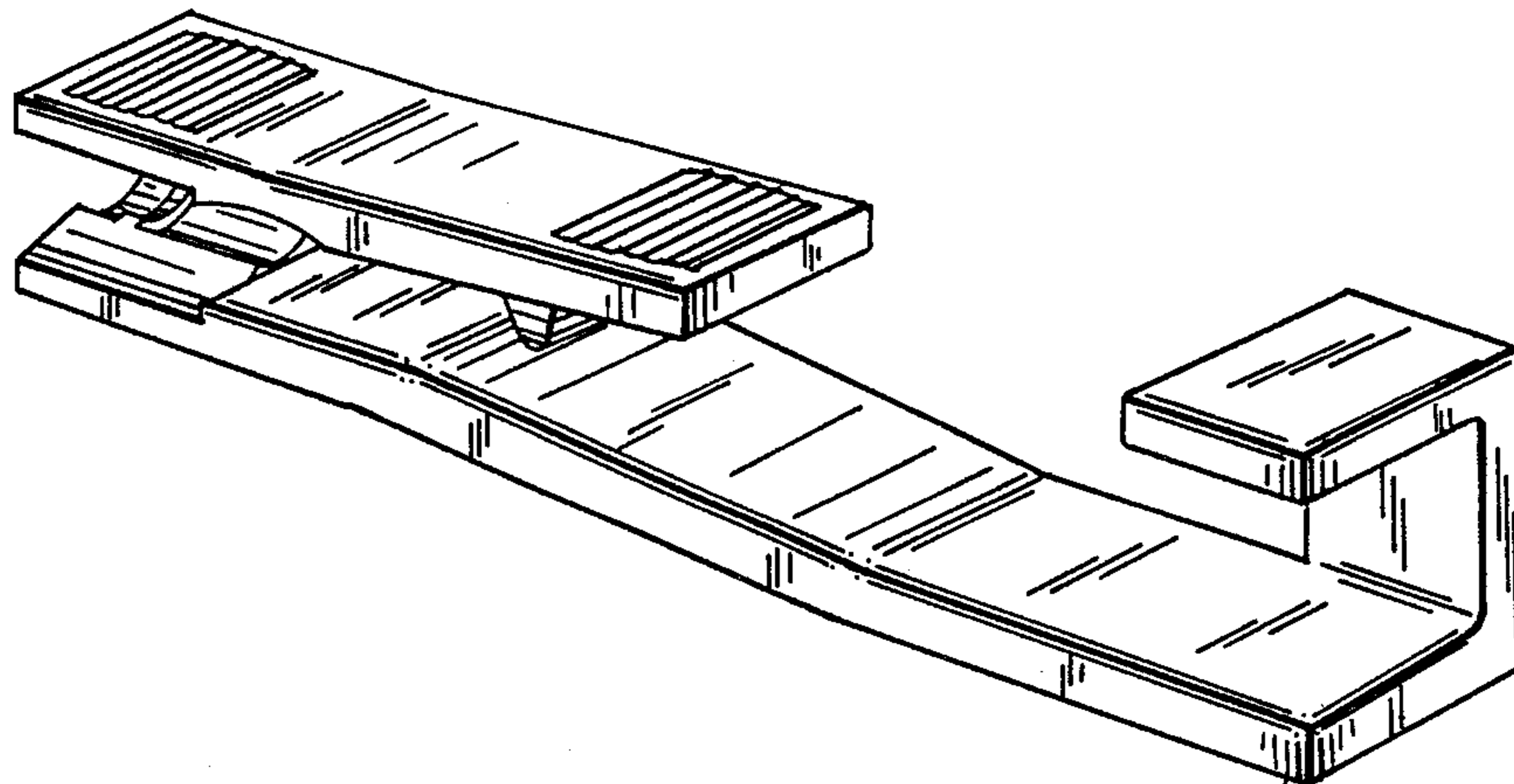


Fig. 1

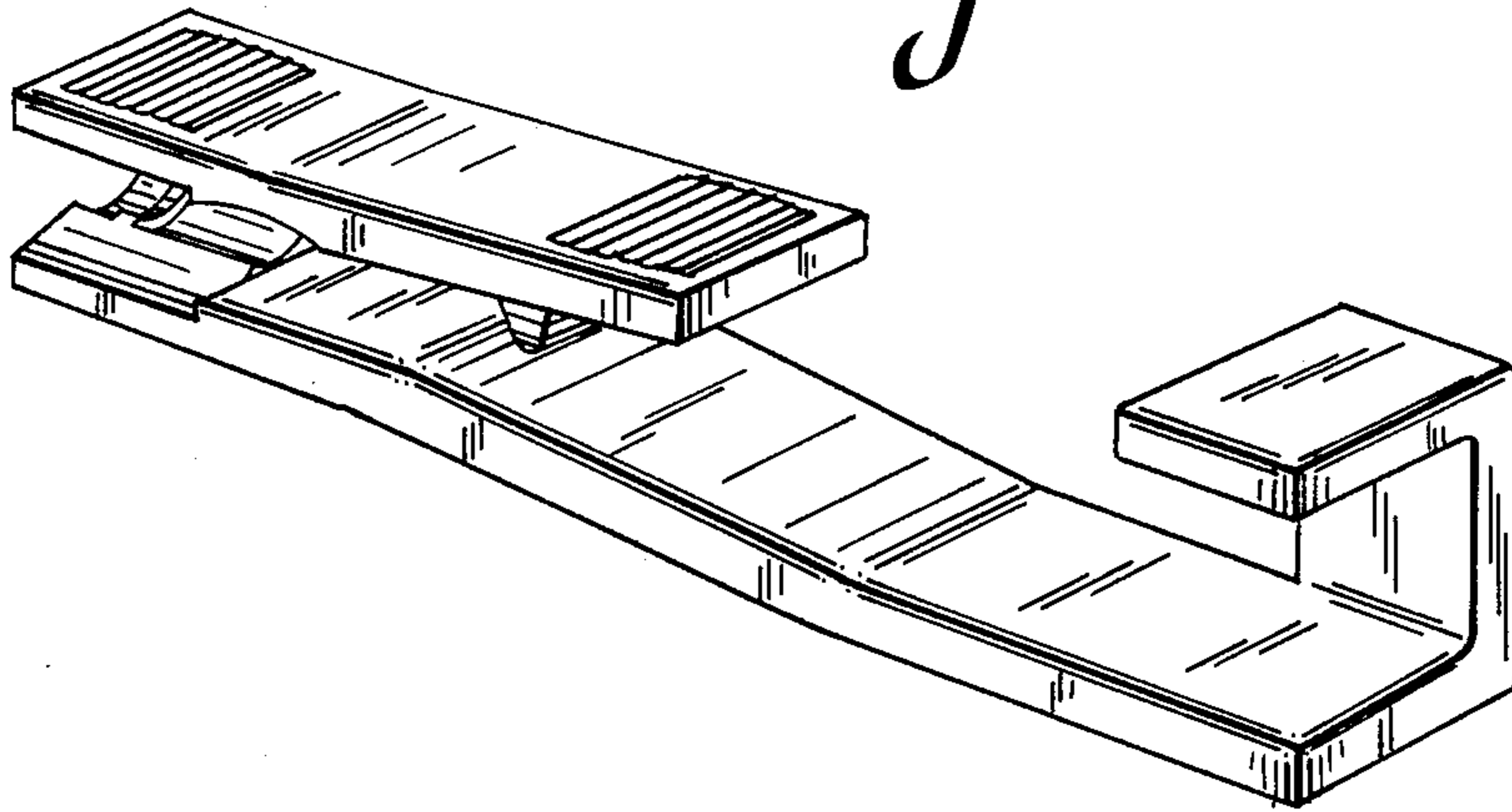


Fig. 2

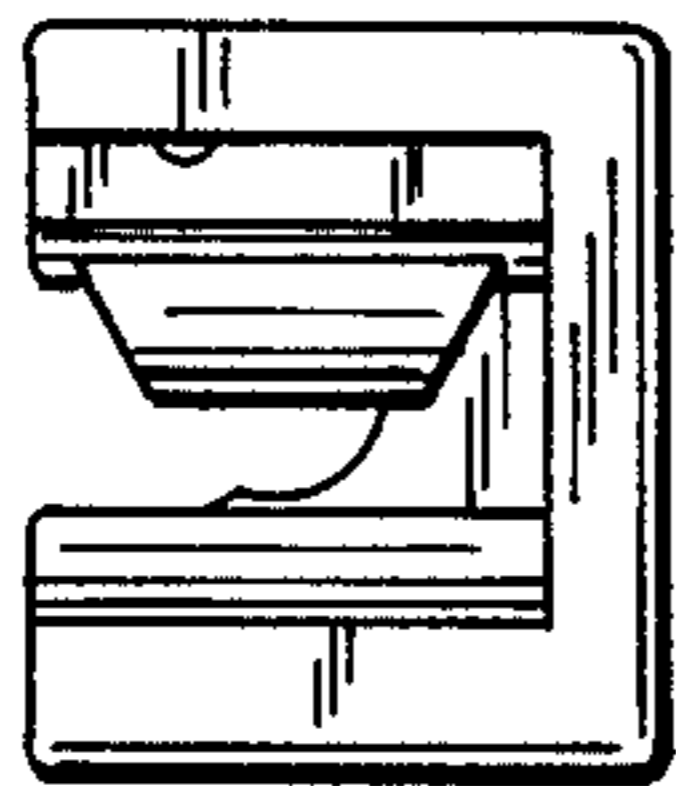


Fig. 3

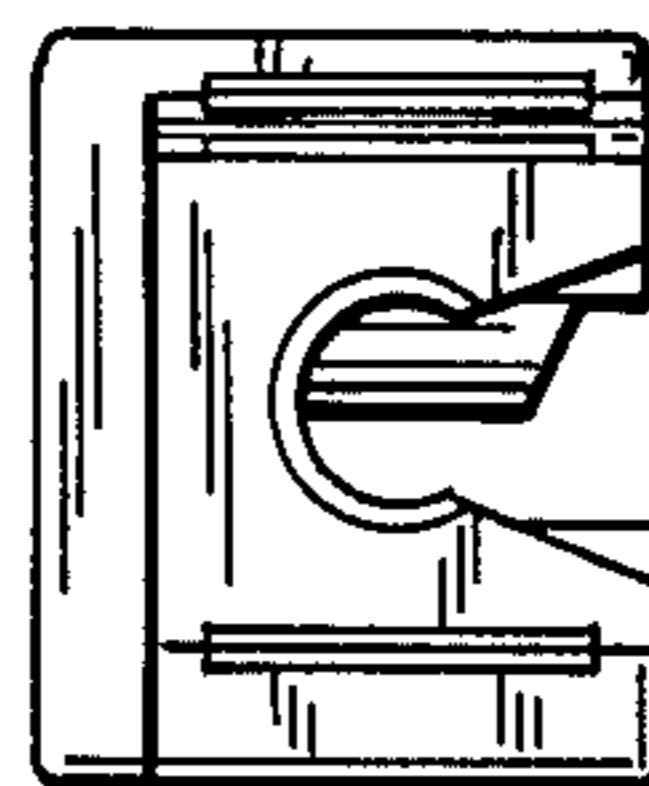


Fig. 4

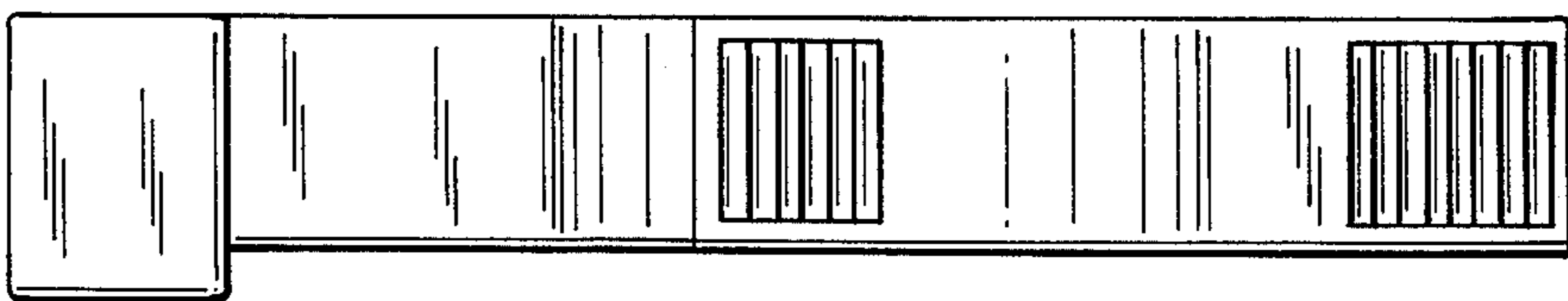
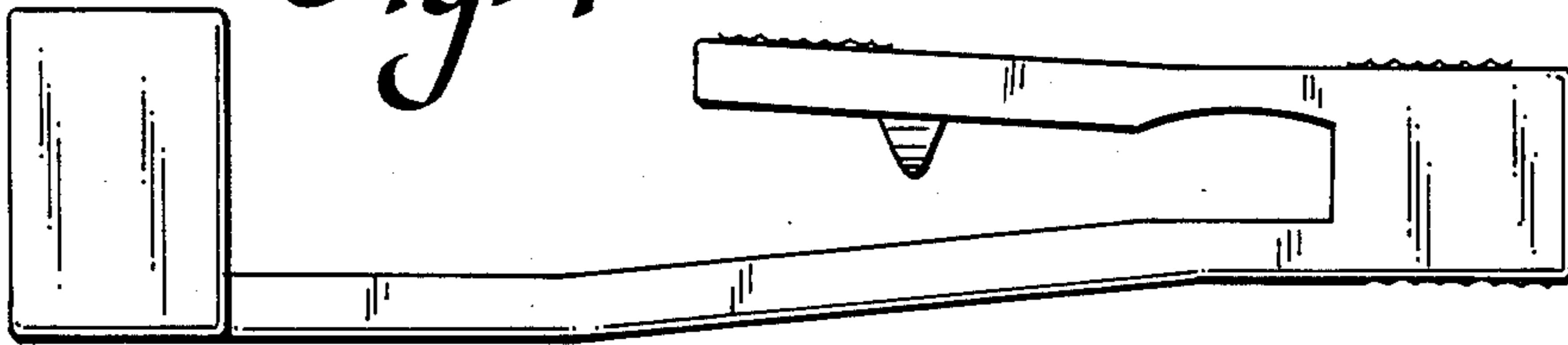


Fig. 5