

United States Patent [19]

Suhajda

[11] Patent Number: **Des. 296,820**

[45] Date of Patent: **** Jul. 19, 1988**

[54] **DISPOSABLE INSECTICIDE CANISTER FOR AN ELECTRIC FOGGER**

[75] Inventor: **John I. Suhajda, Racine County, Wis.**

[73] Assignee: **S. C. Johnson & Son, Inc., Racine, Wis.**

[**] Term: **14 Years**

[21] Appl. No.: **877,550**

[22] Filed: **Jun. 20, 1986**

[52] U.S. Cl. **D23/363; D23/362**

[58] Field of Search **D23/355, 356, 358, 360, D23/362-363, 366; 239/34, 53-55, 60, 47; 219/271-273, 275**

[56] **References Cited**

U.S. PATENT DOCUMENTS

D. 168,685 1/1953 Holbrook D23/362

D. 205,648 8/1966 Katzman et al. D23/356
D. 227,764 7/1973 Katsuda D23/362
D. 275,126 8/1984 Tse D23/364
D. 279,215 6/1985 Mango et al. D23/356
4,382,548 5/1983 van der Heijden D23/366 X

Primary Examiner—Wallace R. Burke

Assistant Examiner—Brian N. Vinson

[57] **CLAIM**

The ornamental design for a disposable insecticide canister for an electric fogger, as shown and described.

DESCRIPTION

FIG. 1 is a top plan view of a disposable insecticide canister for an electric fogger showing my new design; FIG. 2 is a side elevational view thereof; FIG. 3 is a front elevational view thereof; FIG. 4 is a rear elevational view thereof; and FIG. 5 is a bottom plan view thereof.

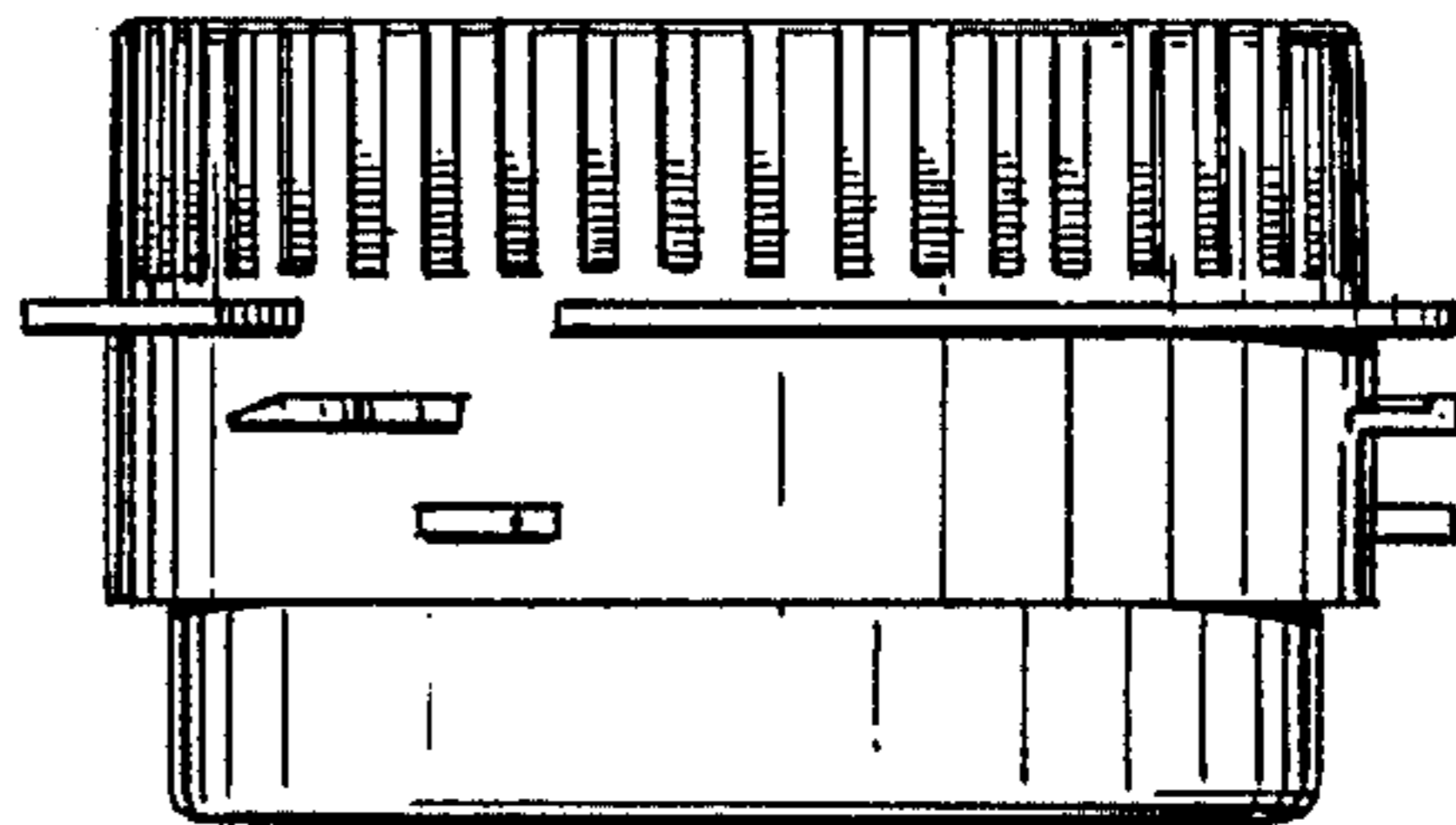
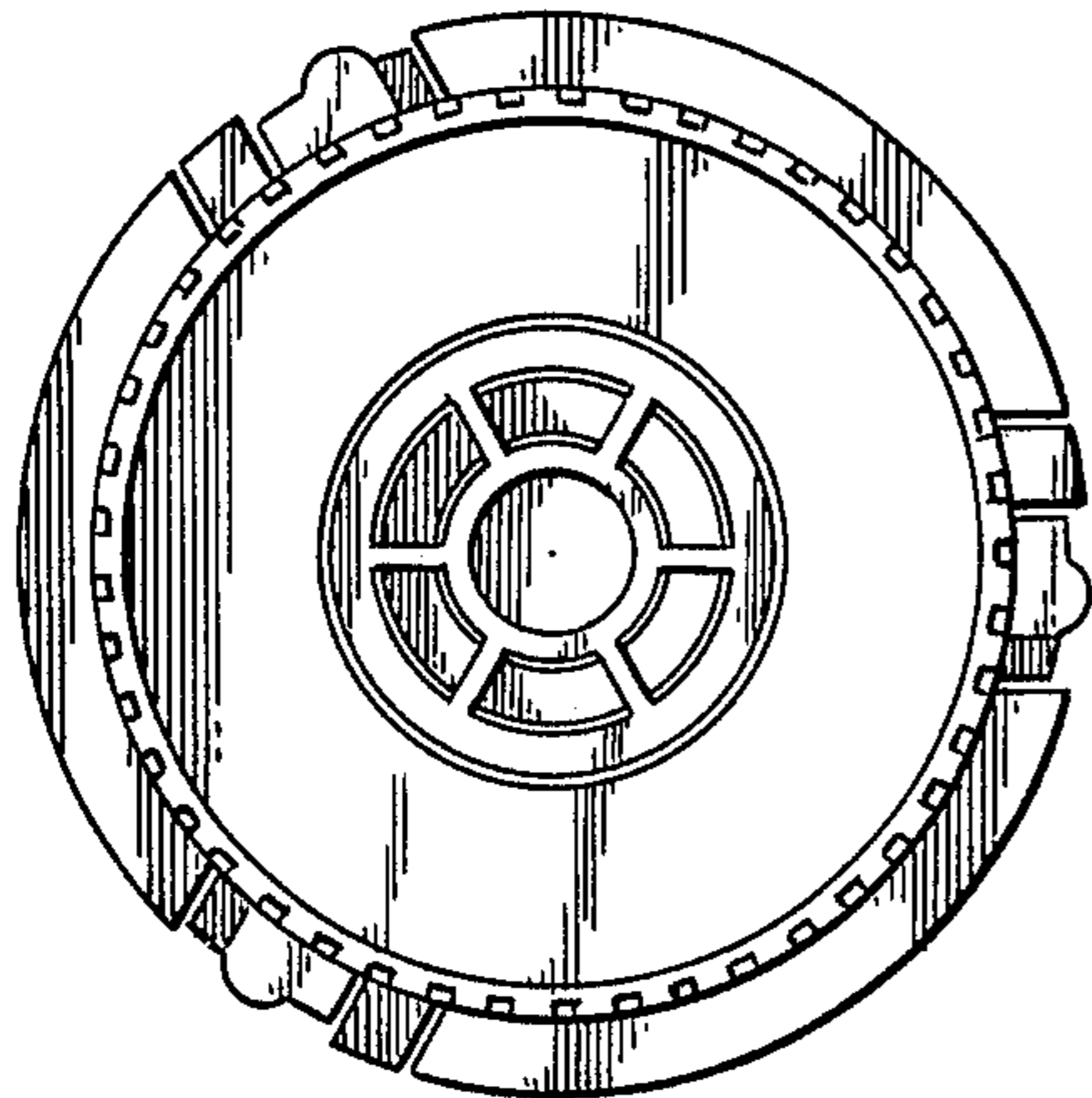


FIG. 1

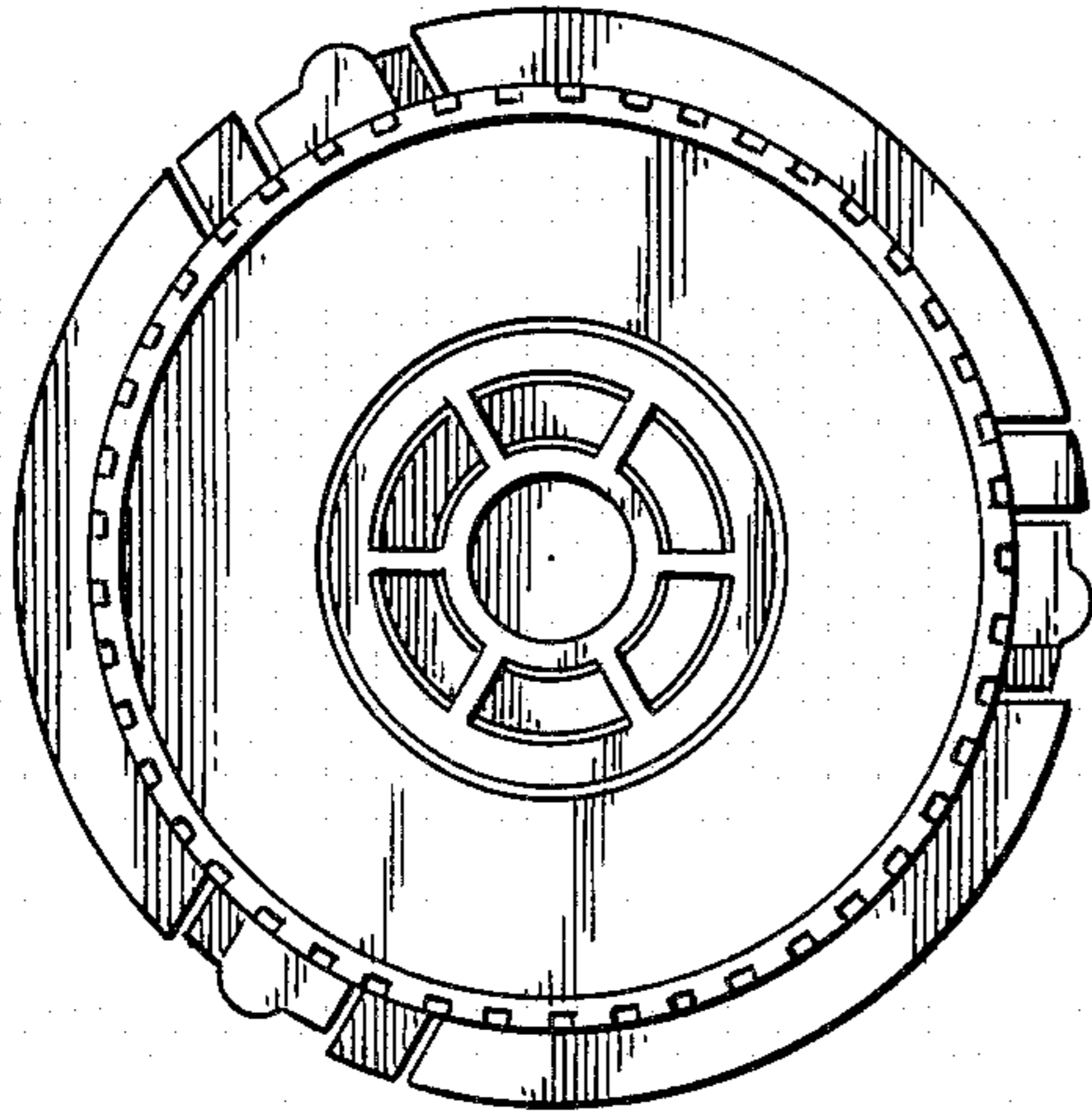


FIG. 2

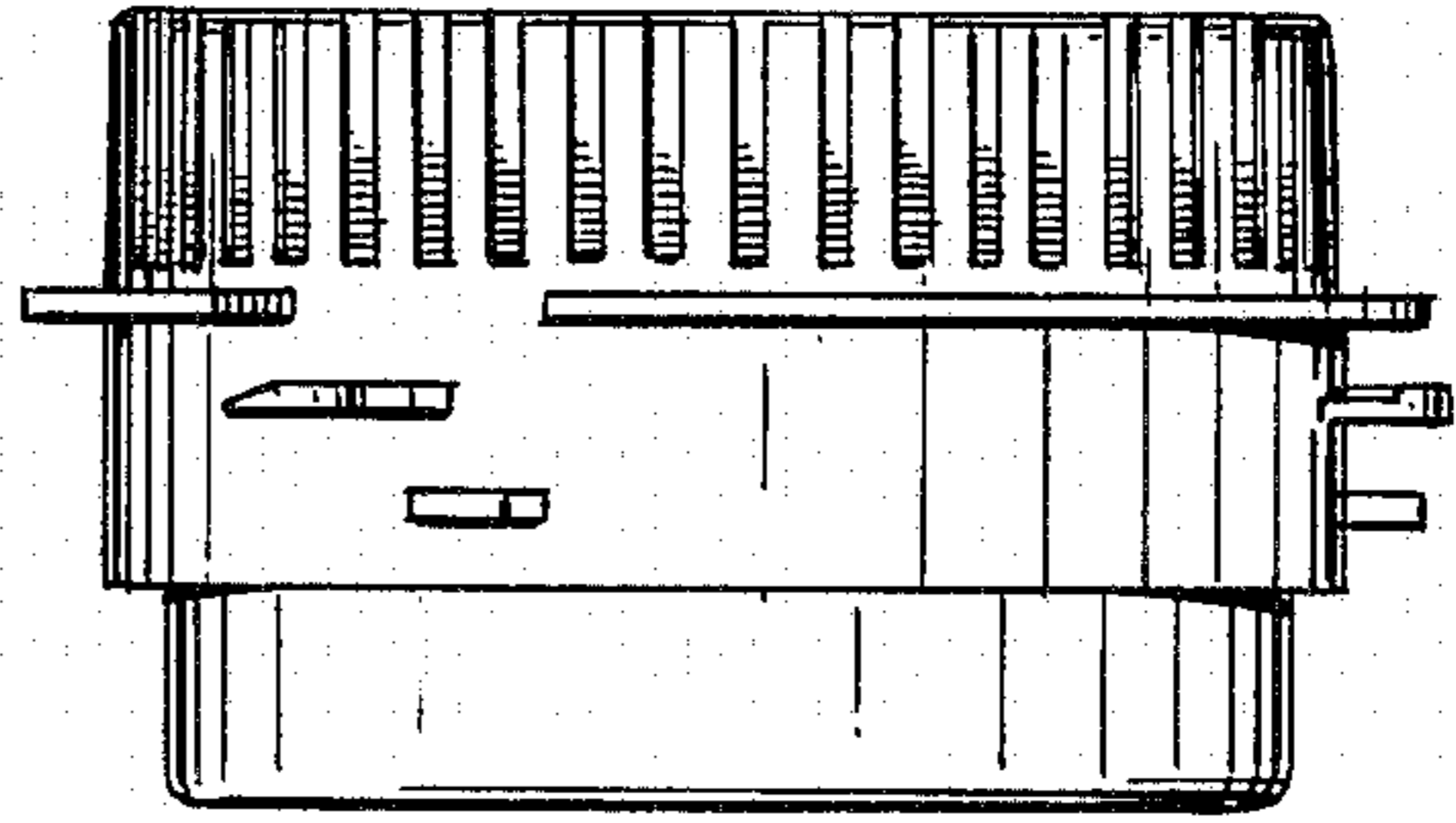


FIG. 3

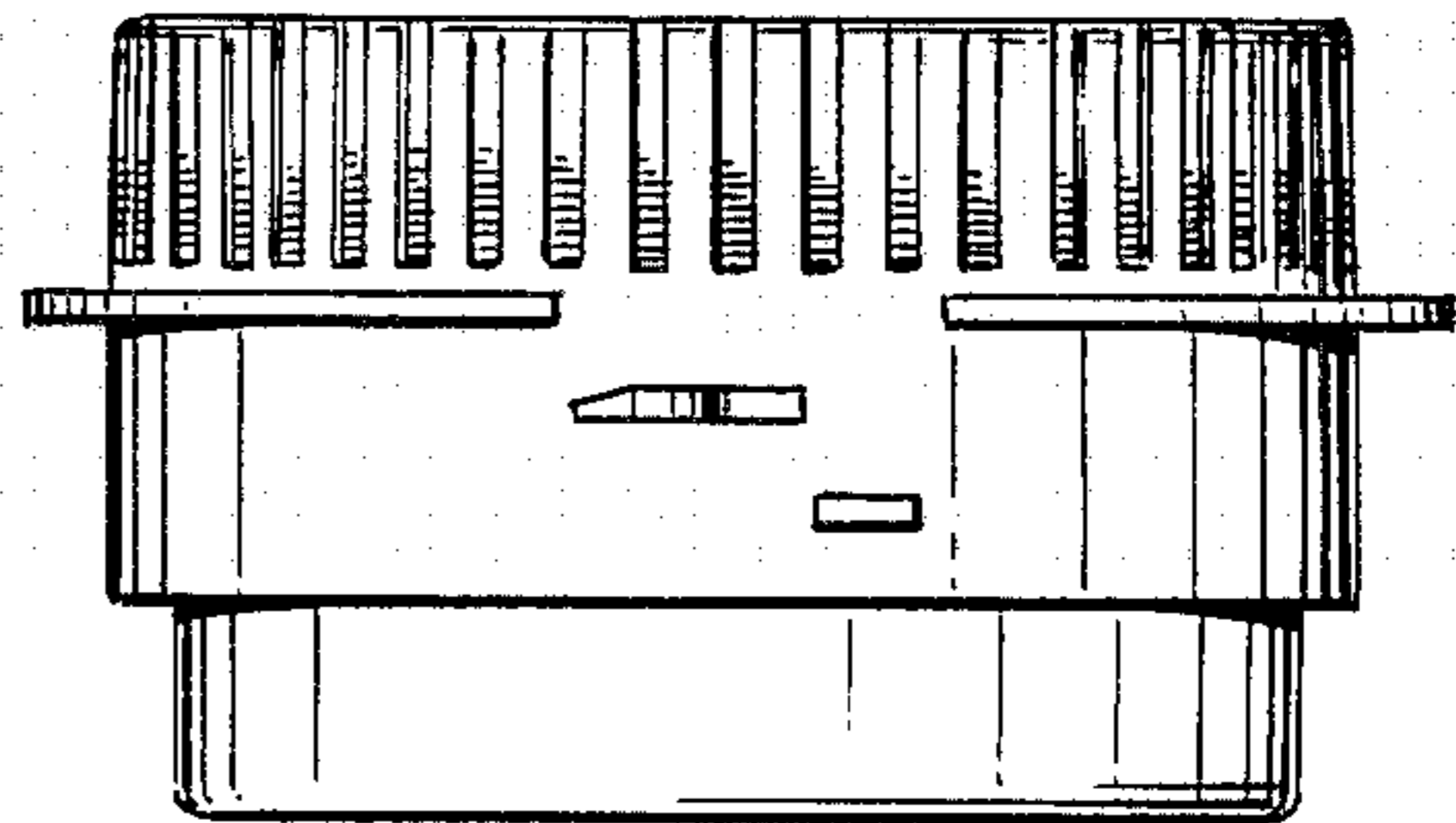


FIG. 5

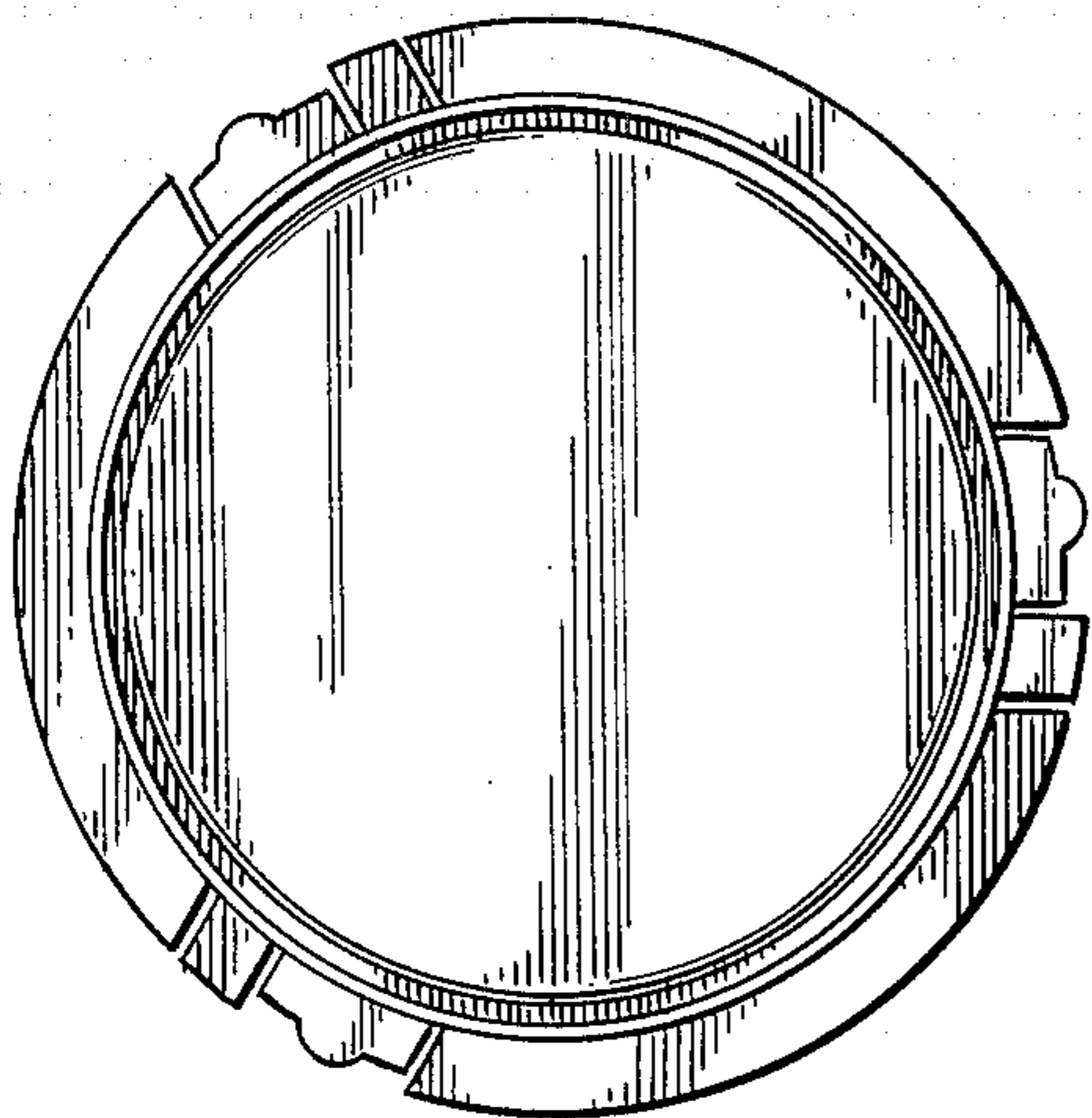


FIG. 4

