

[54] FAUCET HANDLE

[75] Inventor: Franz W. Jans, Offenbach am Main, Fed. Rep. of Germany

[73] Assignee: Armaturen & Presswerk GmbH, Rodermark, Fed. Rep. of Germany

[**] Term: 14 Years

[21] Appl. No.: 929,154

[22] Filed: Nov. 10, 1986

[52] U.S. Cl. D23/252; D8/308

[58] Field of Search D23/238-243, D23/250-254; D8/300, 305, 307-312; 16/110, 118, 121

[56] References Cited

U.S. PATENT DOCUMENTS

- D. 4,323 8/1870 Thomas D23/250
- D. 83,157 1/1931 Graff D8/308
- D. 141,186 5/1945 Stanitz D23/252

- D. 241,440 9/1976 Doman D23/252
- D. 290,496 6/1987 Ryan D23/252

OTHER PUBLICATIONS

Domestic Engineering, Apr. 1983, p. 18.

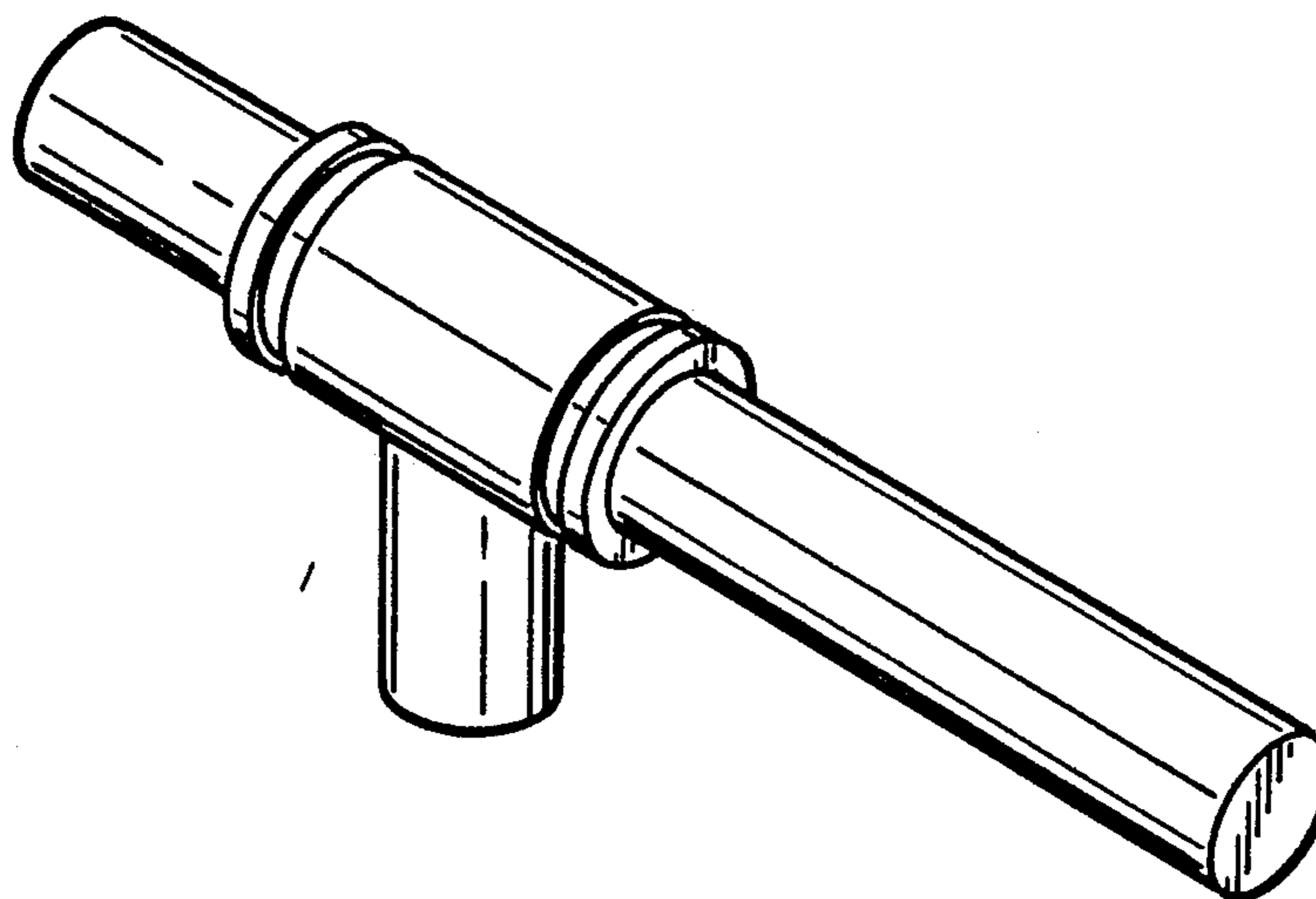
Primary Examiner—James R. Largen
Attorney, Agent, or Firm—H. Michael Brucker

[57] CLAIM

The ornamental design for a faucet handle, as shown and described.

DESCRIPTION

FIG. 1 is a perspective view of a faucet handle showing my new design;
 FIG. 2 is a right side elevational view thereof, the left side being a mirror image of the right side shown;
 FIG. 3 is a front elevational view thereof, the rear being the same as the front shown;
 FIG. 4 is a top plan view thereof; and,
 FIG. 5 is a bottom plan view thereof.



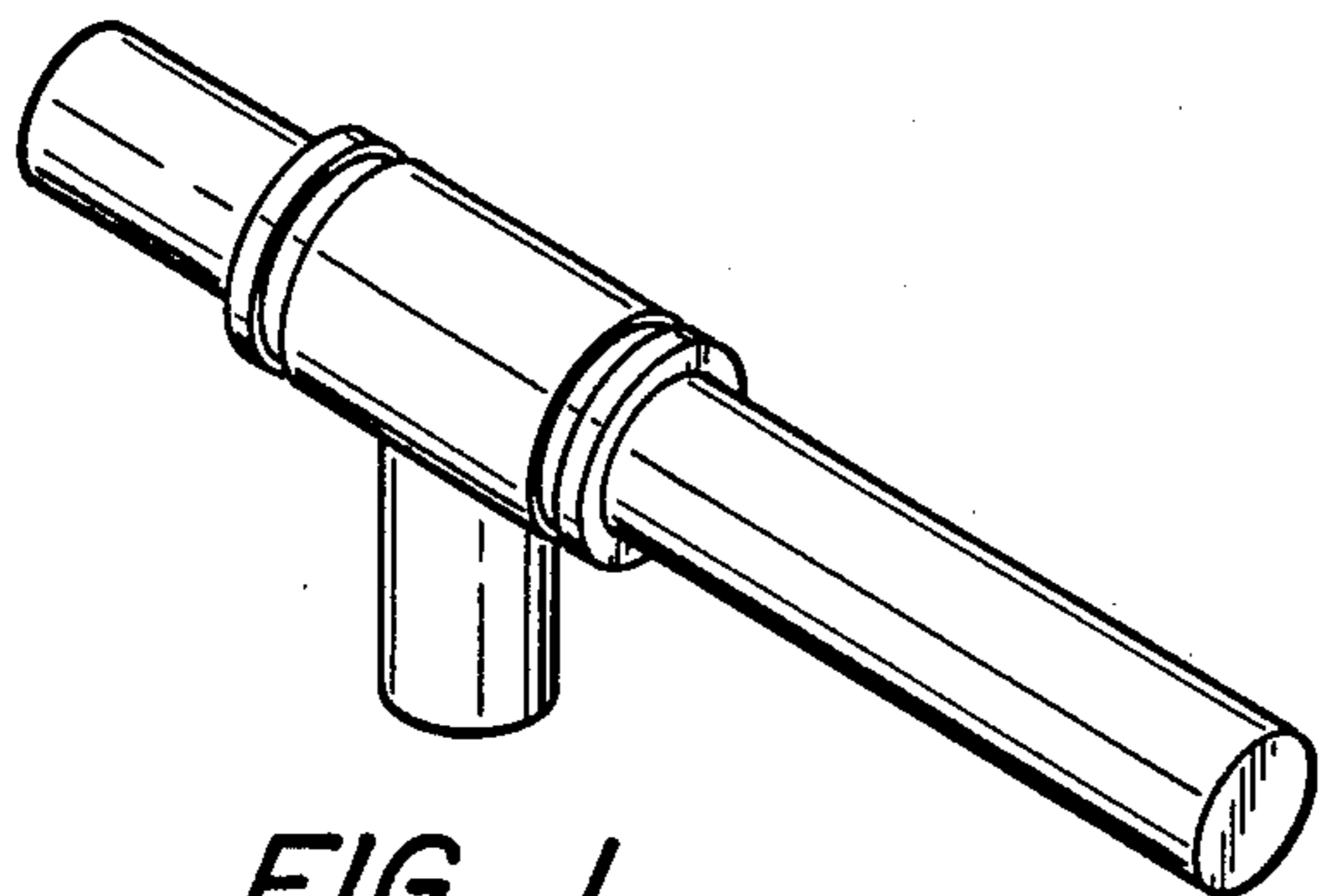


FIG._1.

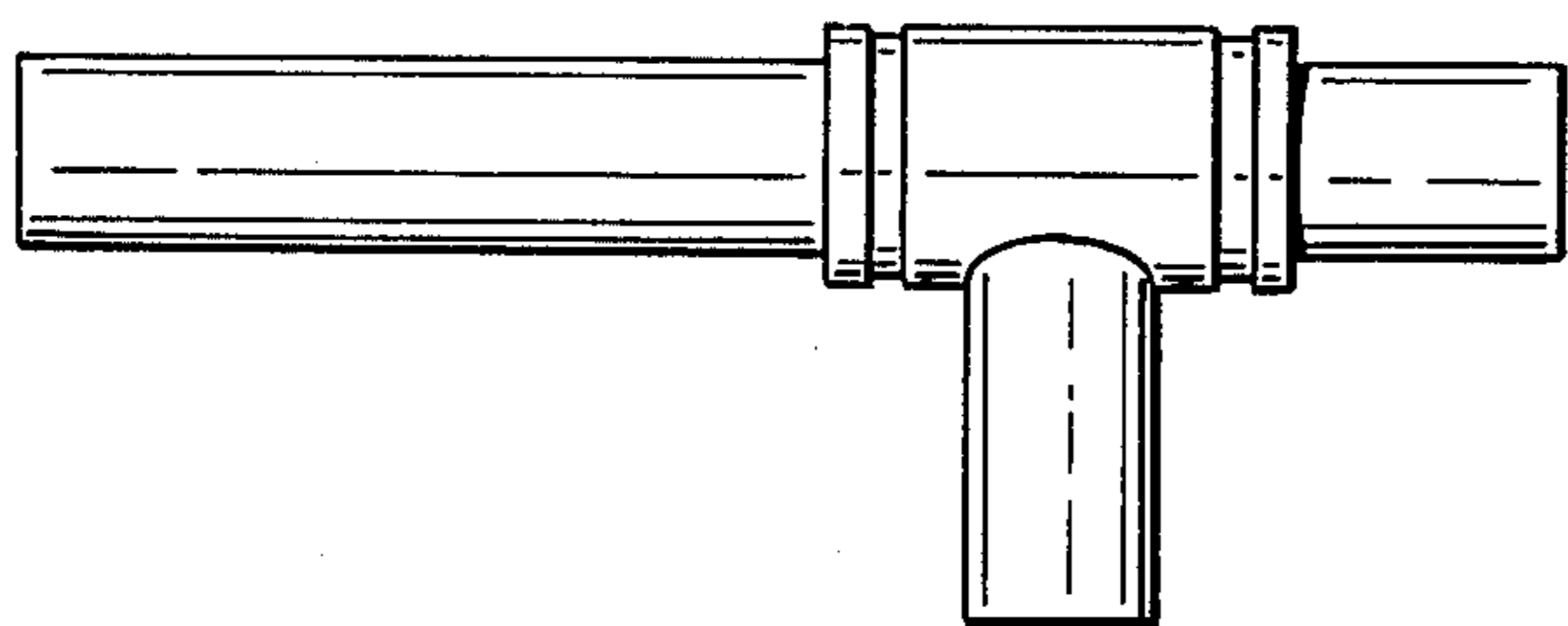


FIG._2.

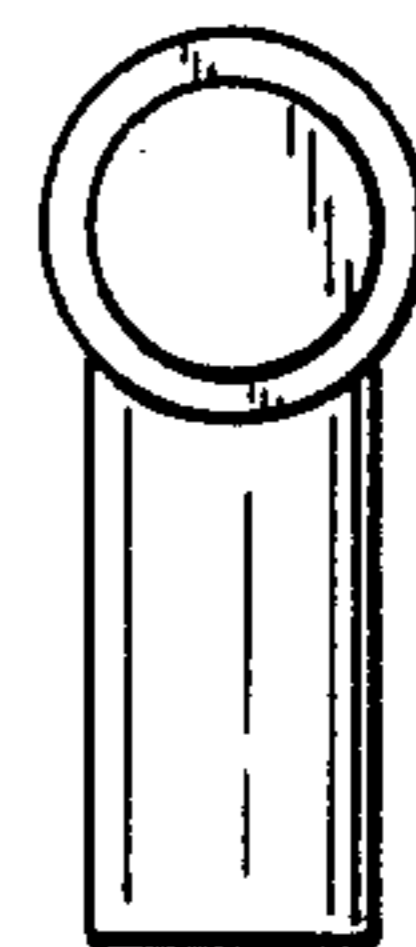


FIG._3.

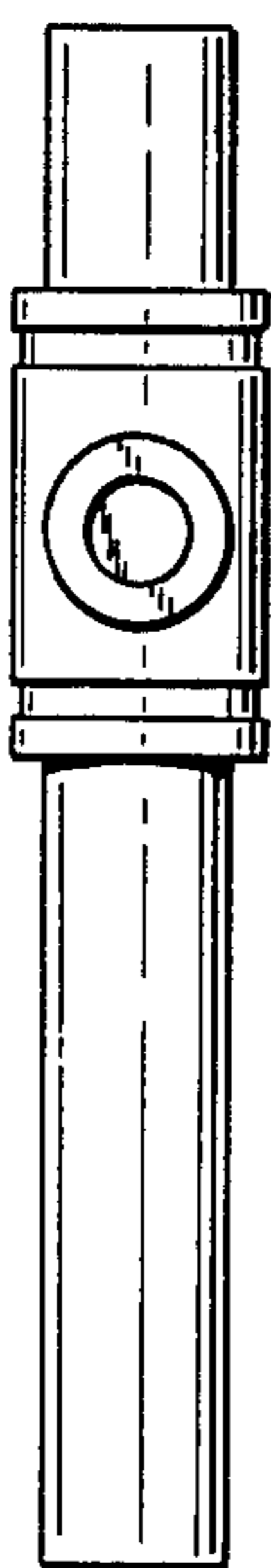


FIG._5.

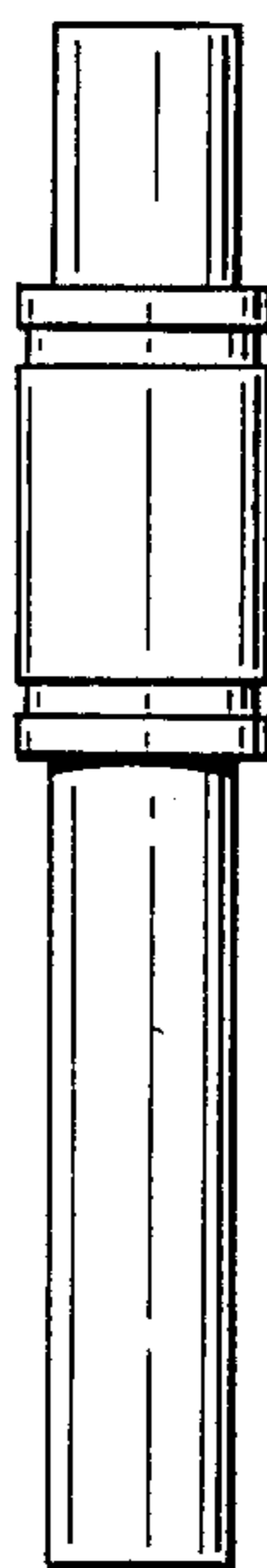


FIG._4.