

- [54] HOSE END SPRAYER
- [75] Inventor: Garry Ellison, Lowell, Mich.
- [73] Assignee: Root-Lowell Manufacturing Company, Lowell, Mich.
- [\*\*] Term: 14 Years
- [21] Appl. No.: 907,635
- [22] Filed: Sep. 15, 1986
- [52] U.S. Cl. .... D23/225
- [58] Field of Search ..... D23/213, 223-230;  
239/152-154, 288.3, 288.5, 302, 310, 318, 332,  
337, 525-528, DIG. 14

- D. 281,900 12/1985 Gunzel, Jr. et al. .... D23/225
- D. 289,675 5/1987 Beal et al. .... D23/225
- 4,369,921 1/1983 Beiswenger et al. .... 239/318 X

*Primary Examiner*—Wallace R. Burke  
*Assistant Examiner*—Brian N. Vinson  
*Attorney, Agent, or Firm*—Price, Heneveld, Cooper,  
 DeWitt & Litton

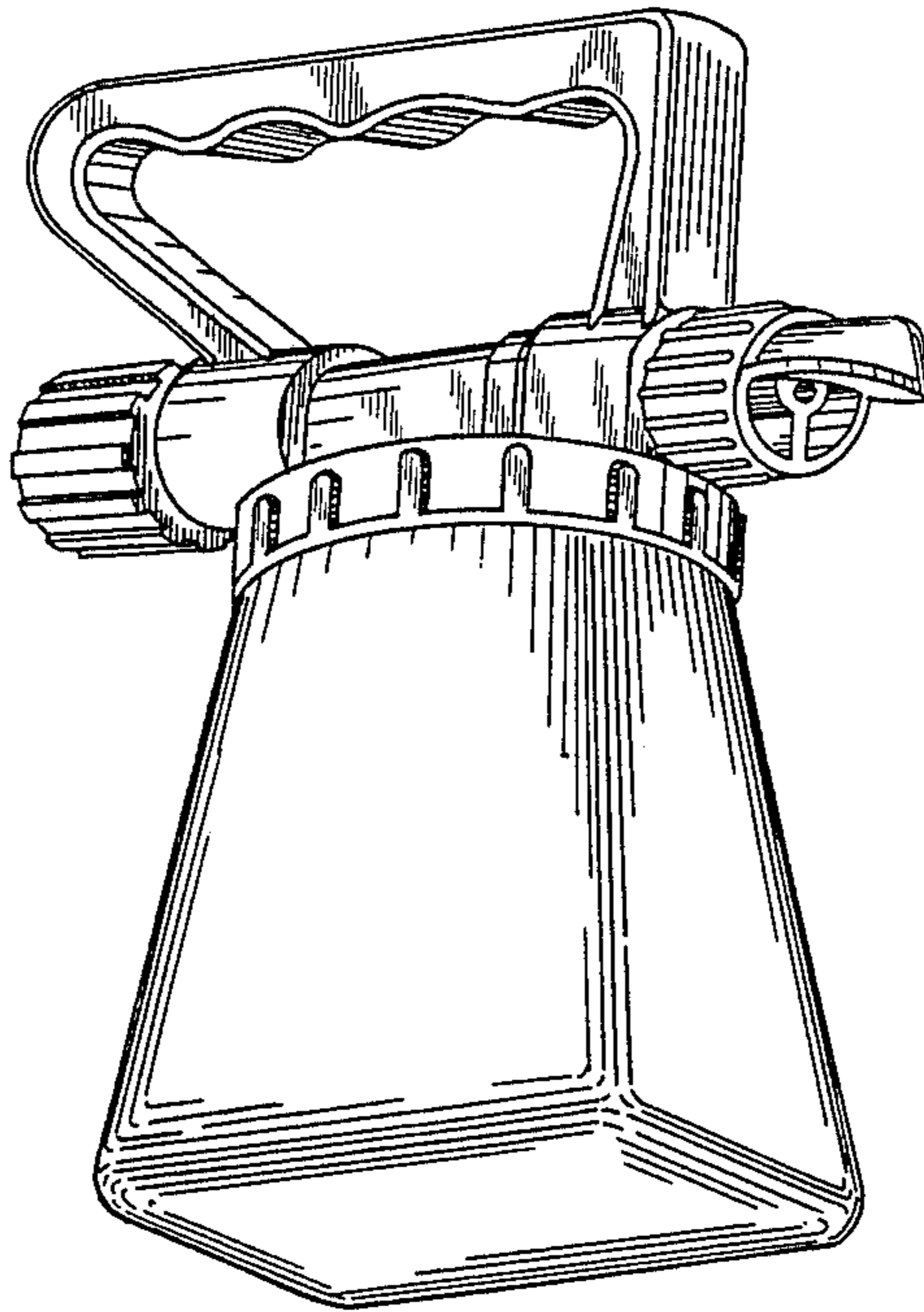
[57] CLAIM

The ornamental design for a hose end sprayer, as shown.

DESCRIPTION

FIG. 1 is a perspective view of a hose end sprayer taken from the bottom and right side of the sprayer showing my new design;  
 FIG. 2 is a front elevational view thereof;  
 FIG. 3 is a rear elevational view thereof;  
 FIG. 4 is a top plan view thereof; and  
 FIG. 5 is left side elevational view thereof.

- [56] **References Cited**  
**U.S. PATENT DOCUMENTS**  
 D. 181,749 12/1957 Price et al. .... D23/223 X  
 D. 202,986 11/1965 Halaby, Sr. et al. .... D23/225 X  
 D. 251,793 5/1979 DeGelder ..... D23/225



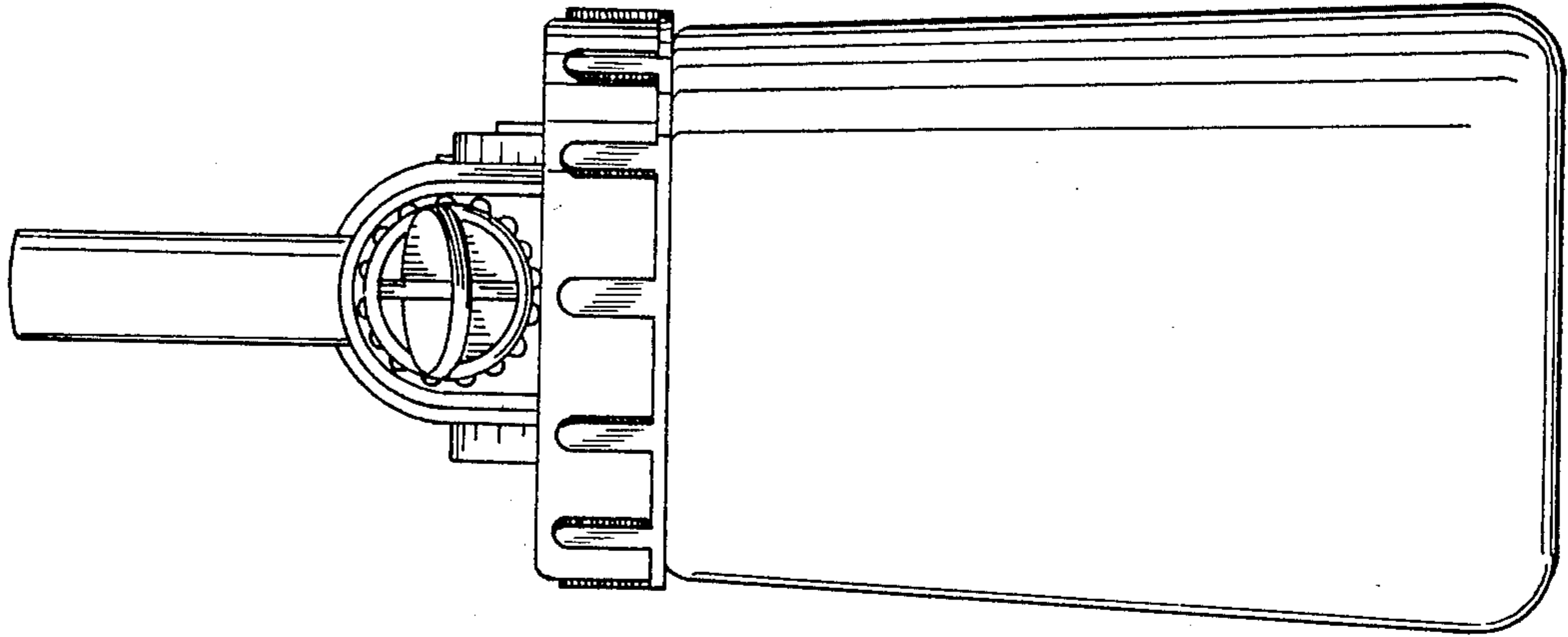


Fig. 2

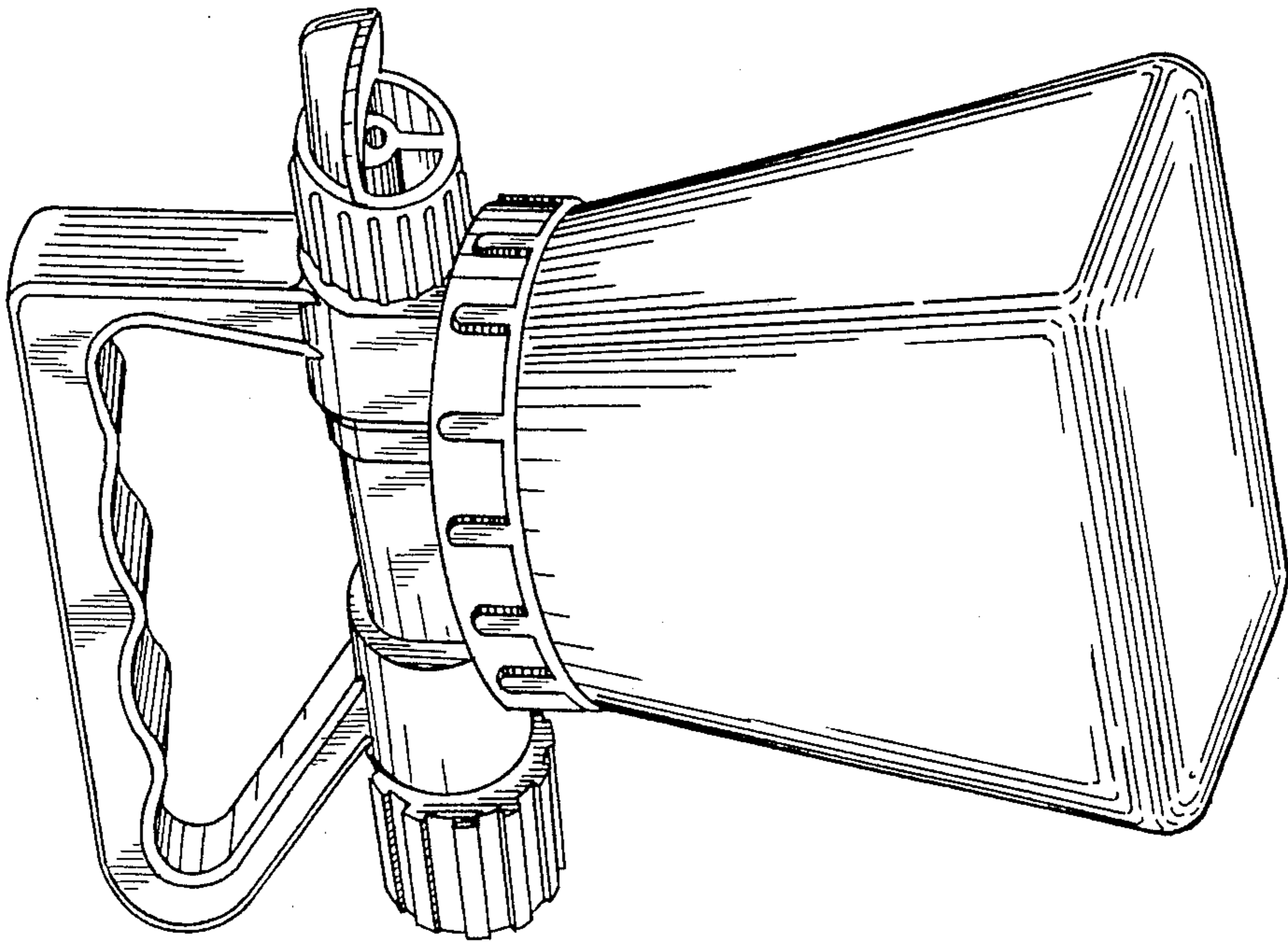


Fig. 1

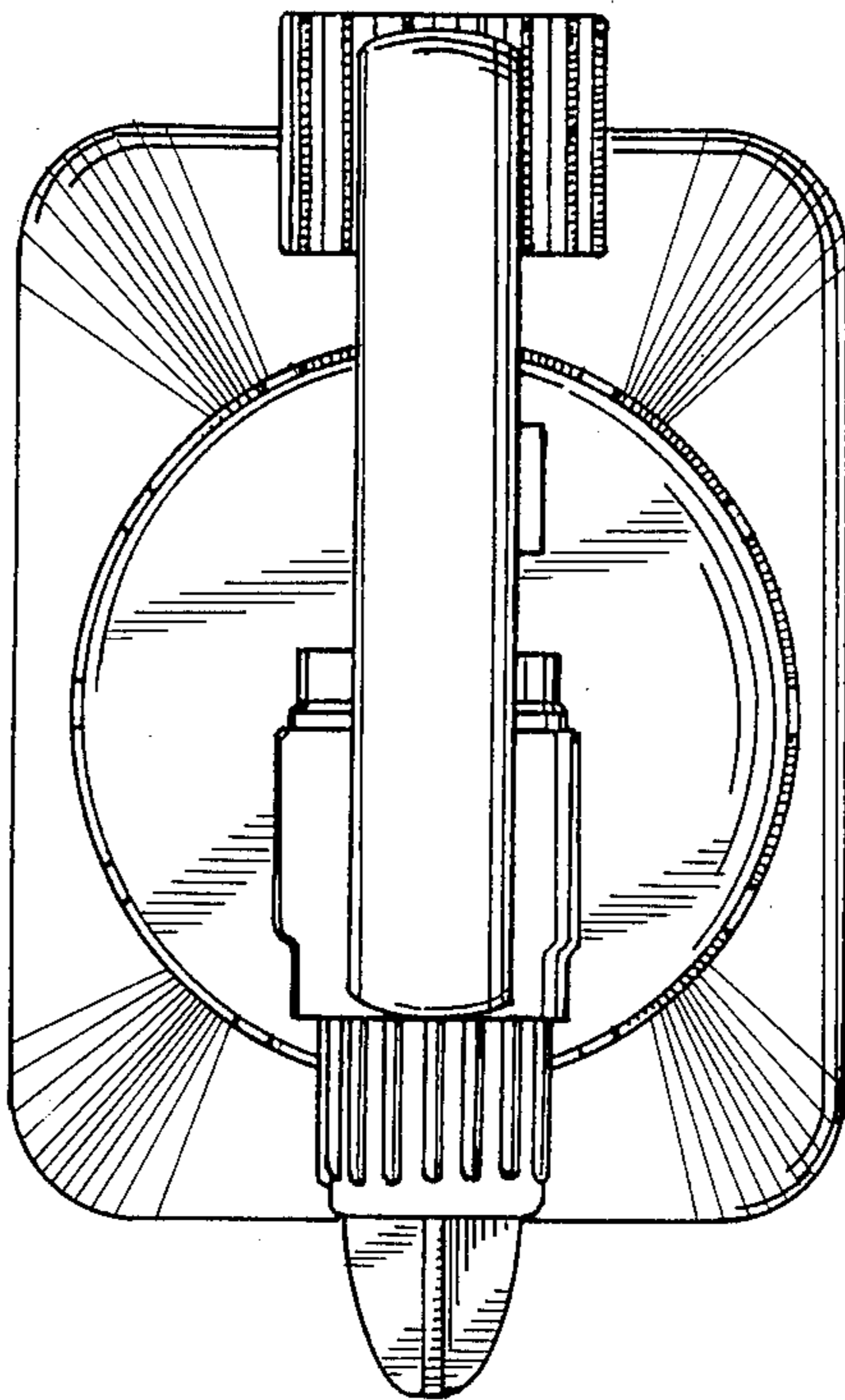


FIG. 4

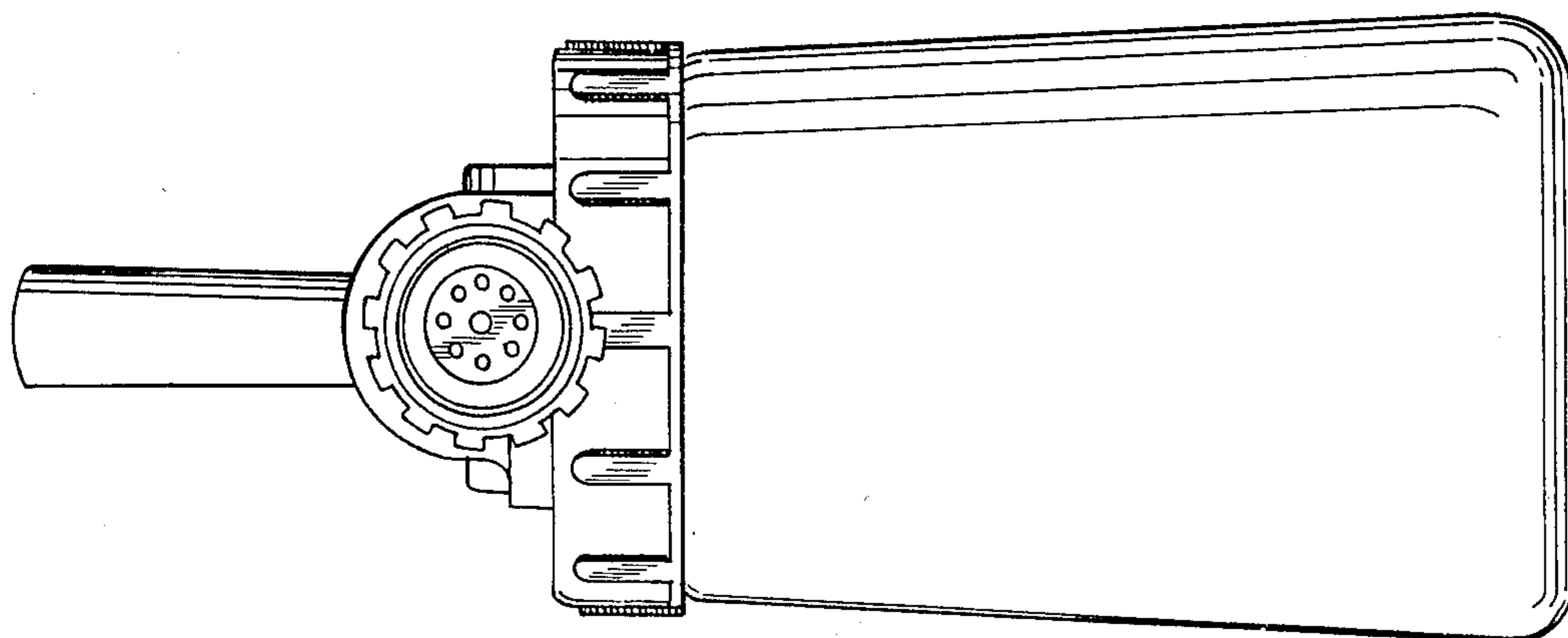


FIG. 3

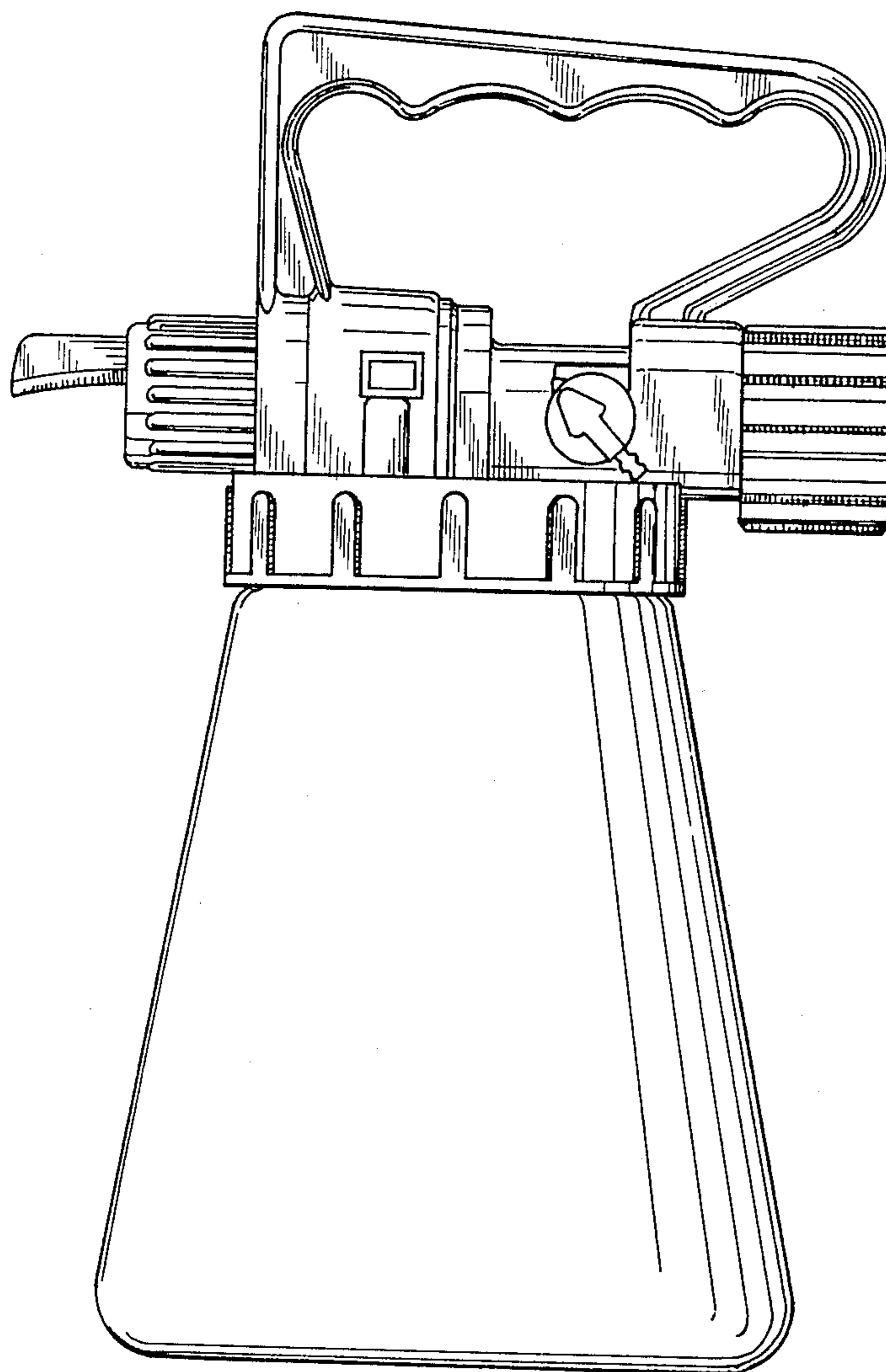


Fig. 5