

[54] **FISHING LINE HOLDER**

[76] **Inventor: Gary Fabry, 2698 Greenbranch, NW., Uniontown, Ohio 44685**

[**] **Term: 14 Years**

[21] **Appl. No.: 751,344**

[22] **Filed: Jul. 2, 1985**

[52] **U.S. Cl. D22/137**

[58] **Field of Search D22/137; D8/358; 242/84.2 J, 118.8, 118; 43/20**

[56] **References Cited**

U.S. PATENT DOCUMENTS

D. 167,562	8/1952	Diebold	D22/137
2,890,842	6/1959	Rickard	D22/137 X
3,557,483	1/1971	Wilson	43/20

Primary Examiner—A. Hugo Word
Attorney, Agent, or Firm—Frease & Bishop

[57] **CLAIM**

The ornamental design for a fishing line holder, as shown and described.

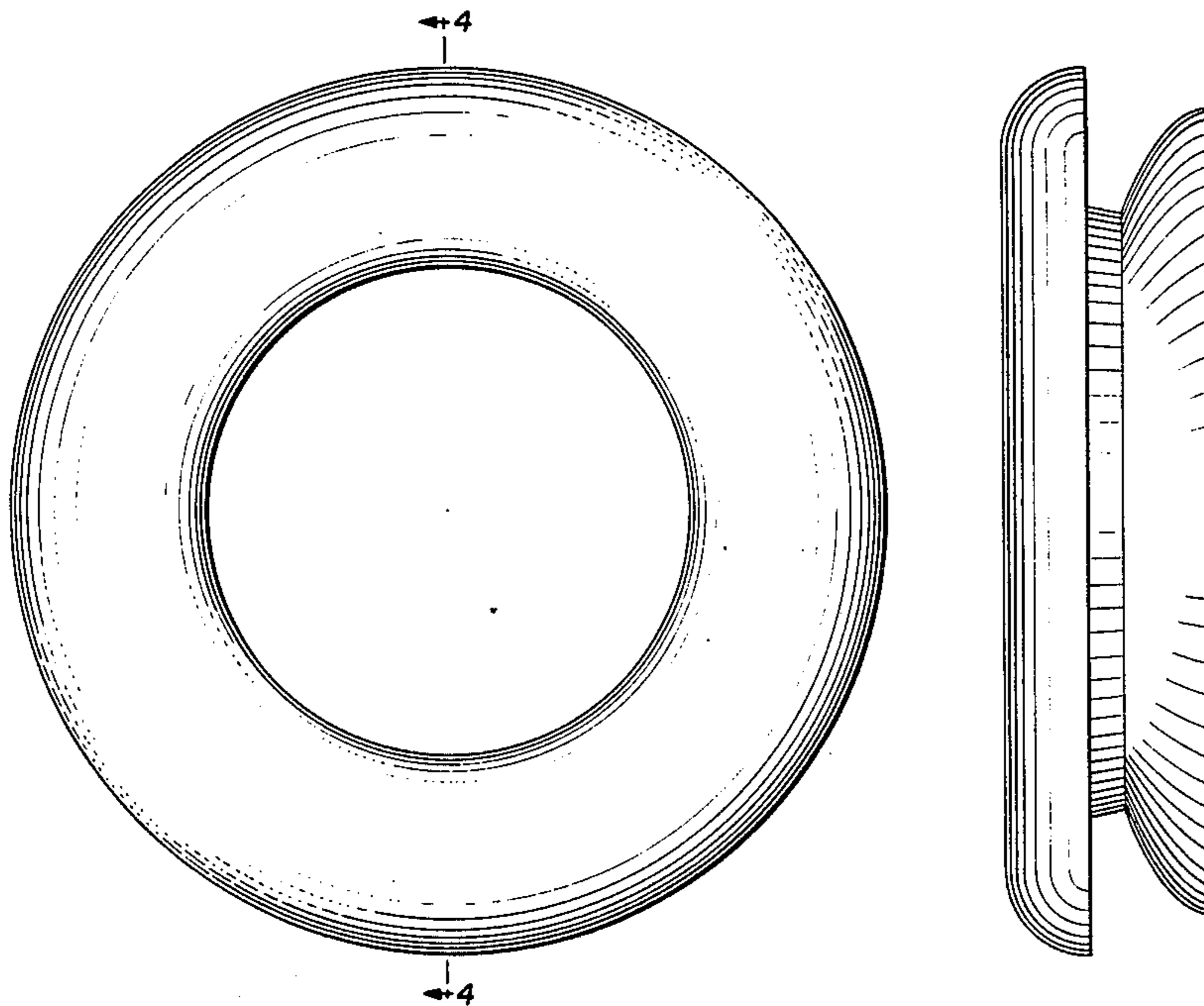
DESCRIPTION

FIG. 1 is a top plan view of a fishing line holder showing my new design;

FIG. 2 is a side elevation of the new fishing line holder of my design;

FIG. 3 is a bottom plan view thereof; and

FIG. 4 is a vertical cross section taken on the lines 4—4 of FIG. 1, it being understood that said cross section shows in greater detail certain of the aspects of my new design, and in particular, surface contours which are more clearly apparent in cross section.



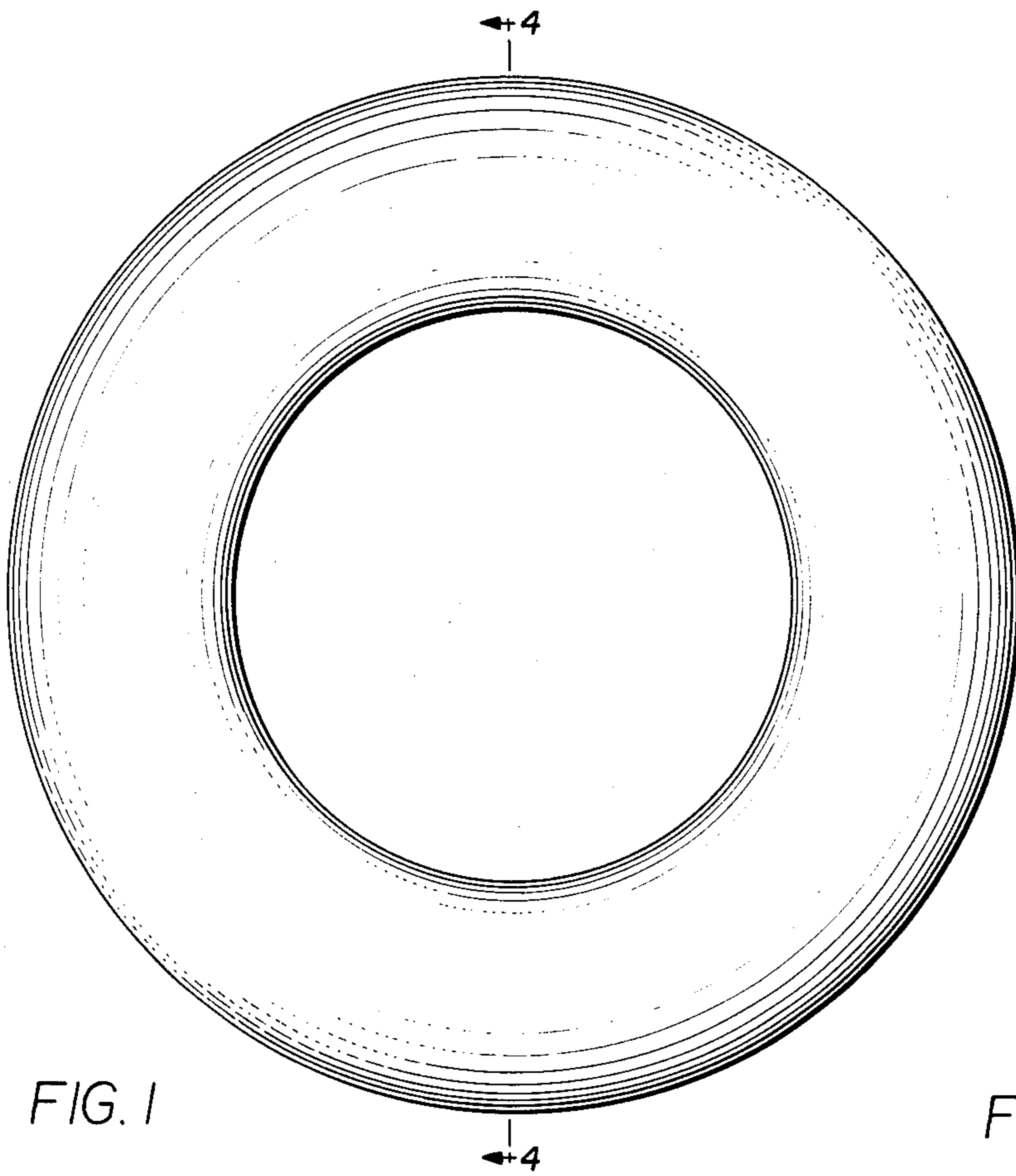


FIG. 1

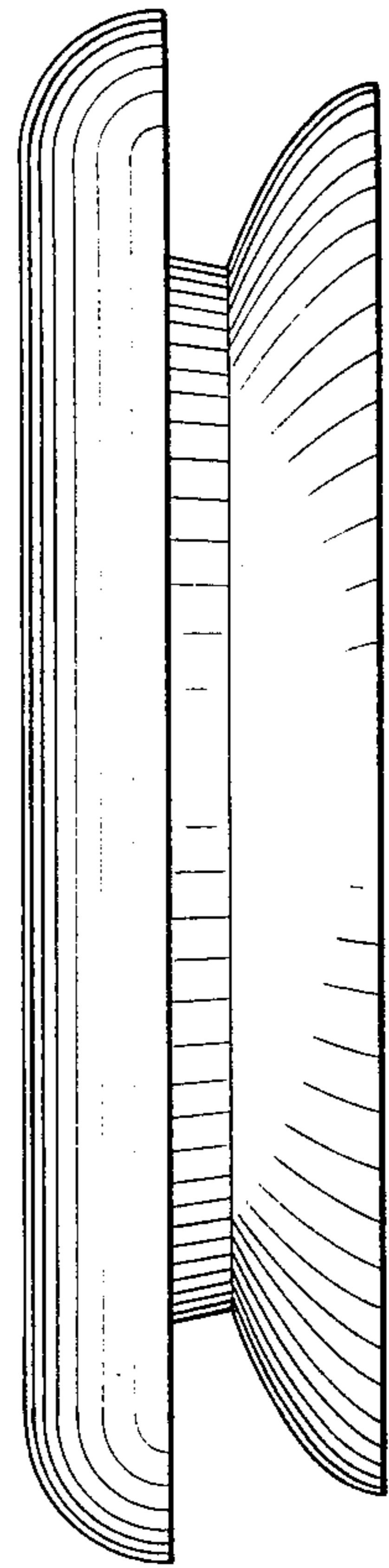


FIG. 2

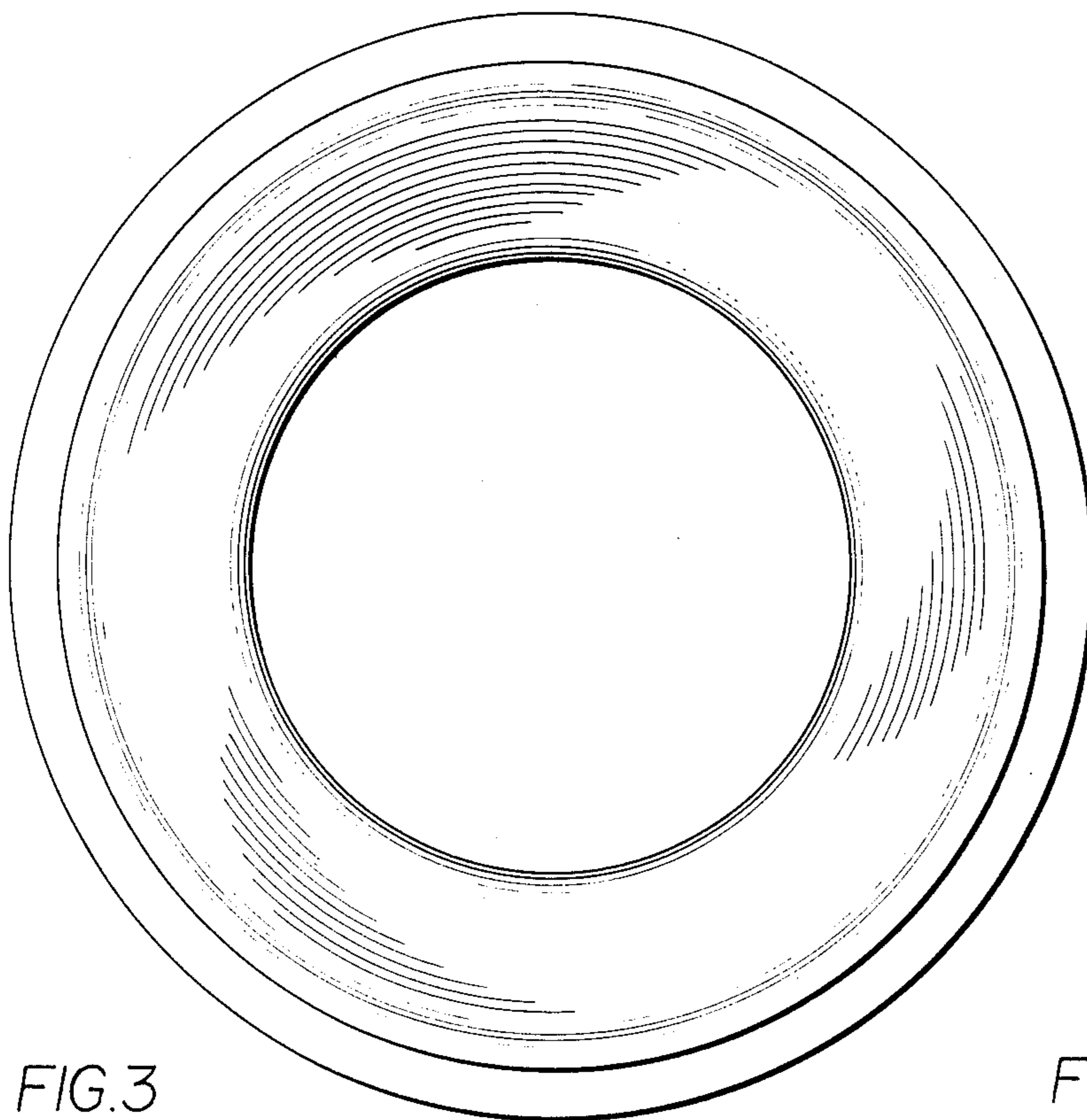


FIG. 3

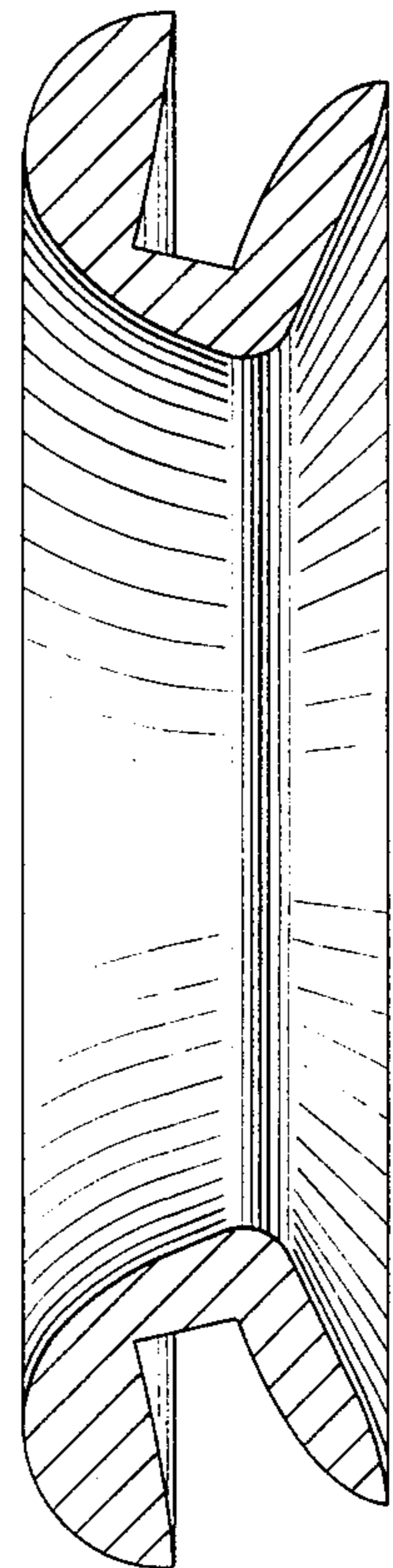


FIG. 4