

[54] WALL-MOUNTED EXERCISE BARS WITH ADJUSTABLE BENCH SUPPORT

3,857,561 12/1974 Cecchetti et al. 272/63
3,874,657 4/1975 Niebojewski 272/144
4,657,242 4/1987 Guridi 272/112

[75] Inventor: Janez Urbanc, Lesce, Yugoslavia

Primary Examiner—Charles A. Rademaker
Attorney, Agent, or Firm—Fleit, Jacobson, Cohn & Price

[73] Assignee: "Elan" Tovarna Sportnega Orodja N.Sol.O., Begunje na Gorenjskem, Yugoslavia

[57] CLAIM

[**] Term: 14 Years

The ornamental design for wall-mounted exercise bars with adjustable bench support, as shown and described.

[21] Appl. No.: 734,353

DESCRIPTION

[22] Filed: May 14, 1985

[30] Foreign Application Priority Data

Nov. 14, 1984 [YU] Yugoslavia M-562/84

[52] U.S. Cl. D21/191

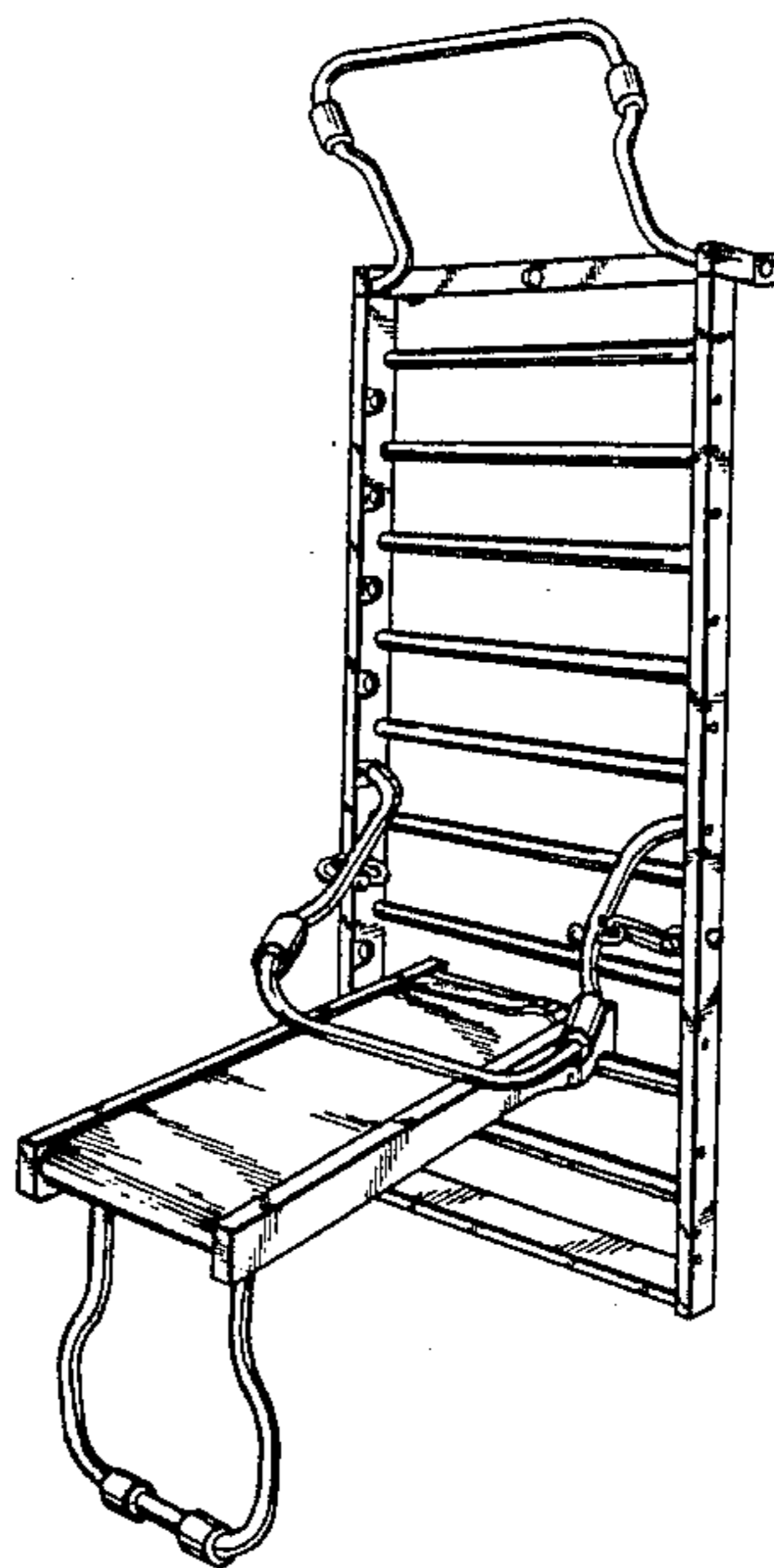
[58] Field of Search 273/144; D21/191-199

FIG. 1 is a perspective view of a combined exercise bars and adjustable bench support showing my new design; FIG. 2 is a perspective view of the mounting bracket shown on an enlarged scale with portions of the bar assembly shown removed and partially in fragment; FIG. 3 is a rear elevational view thereof; FIG. 4 is a bottom plan view thereof; FIG. 5 is a right side elevational view thereof, the side opposite being substantially a mirror image; and FIG. 6 is a top plan view thereof.

[56] References Cited

U.S. PATENT DOCUMENTS

2,429,939 10/1947 Masterson et al. 272/112



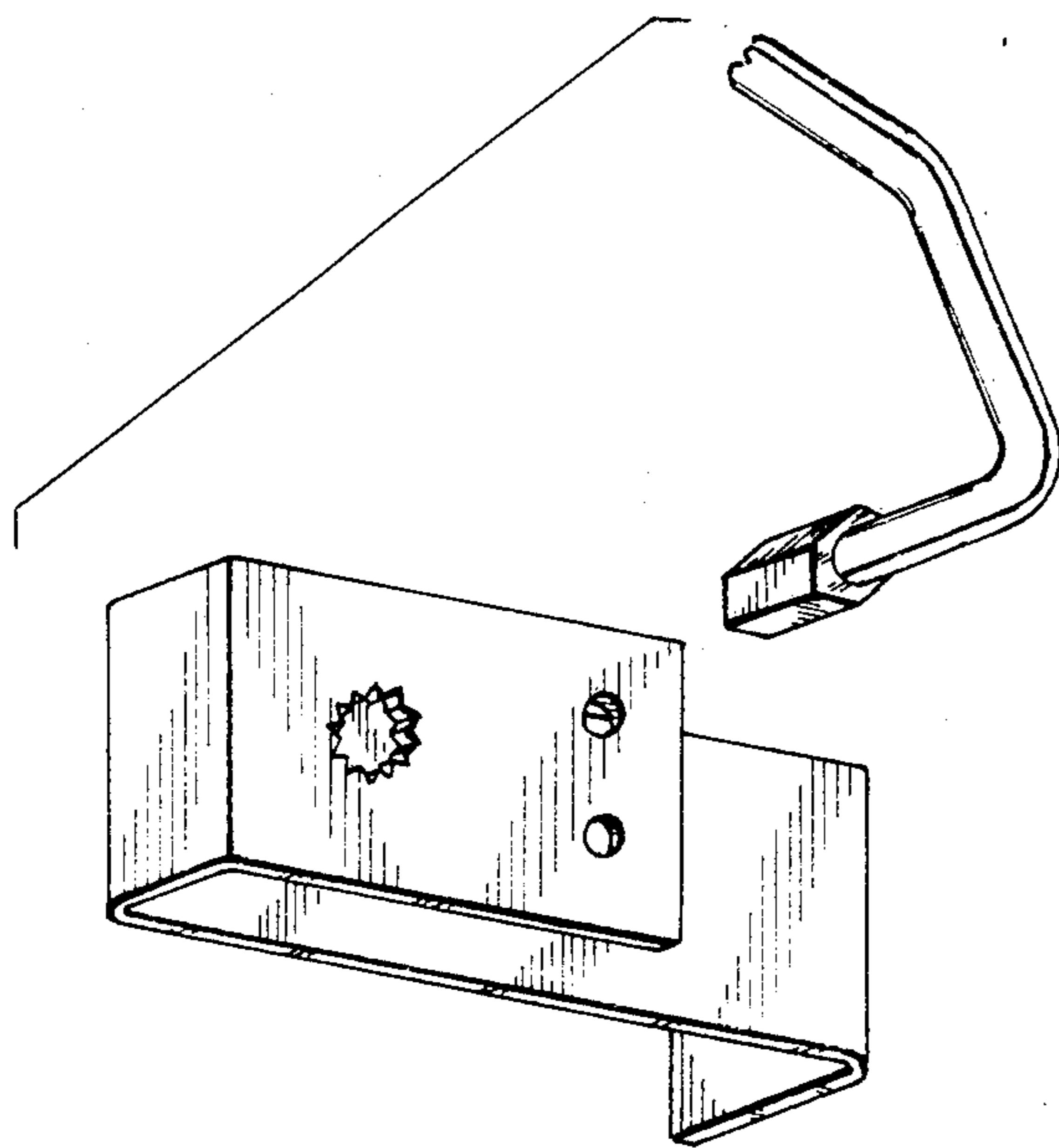


FIG. 2

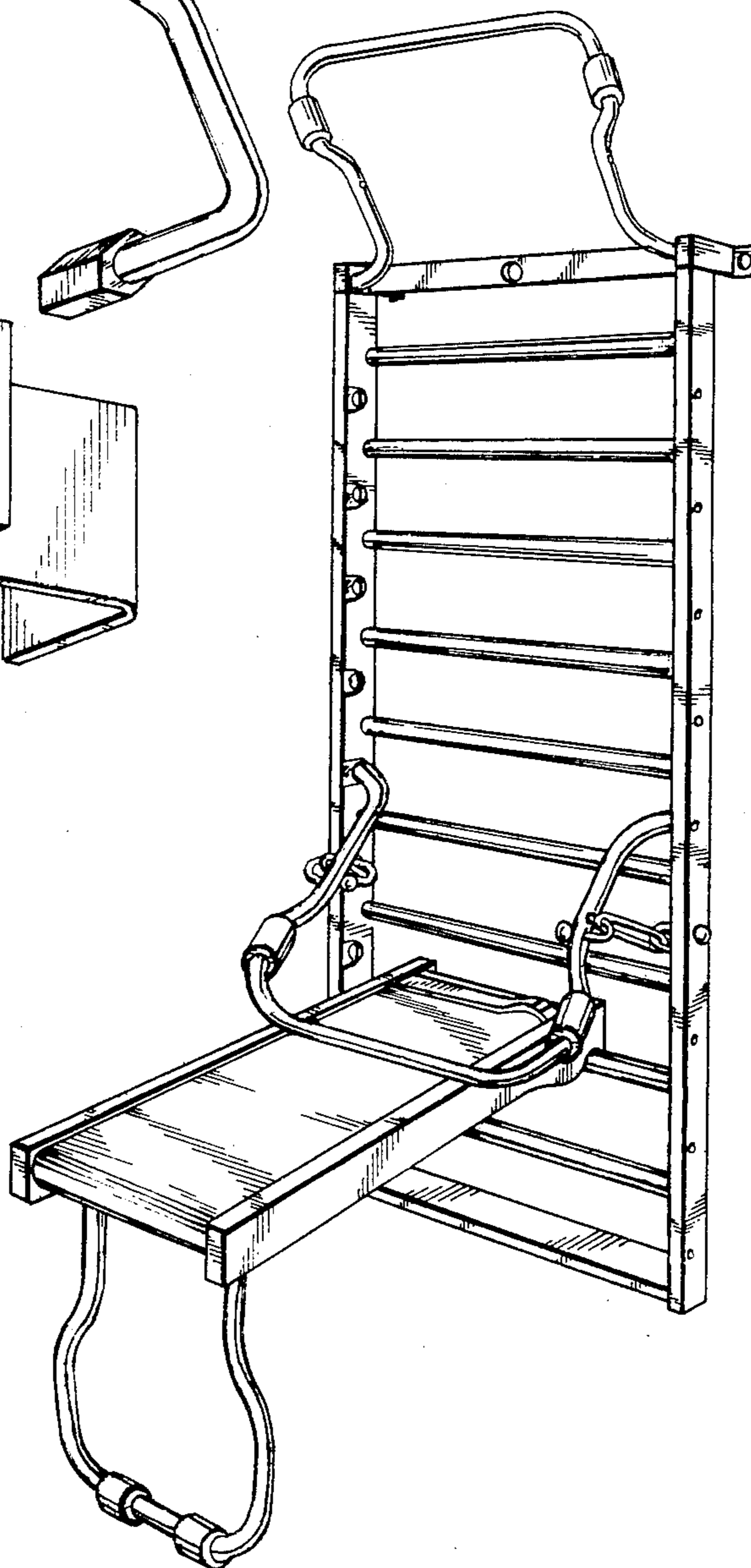


FIG. 1

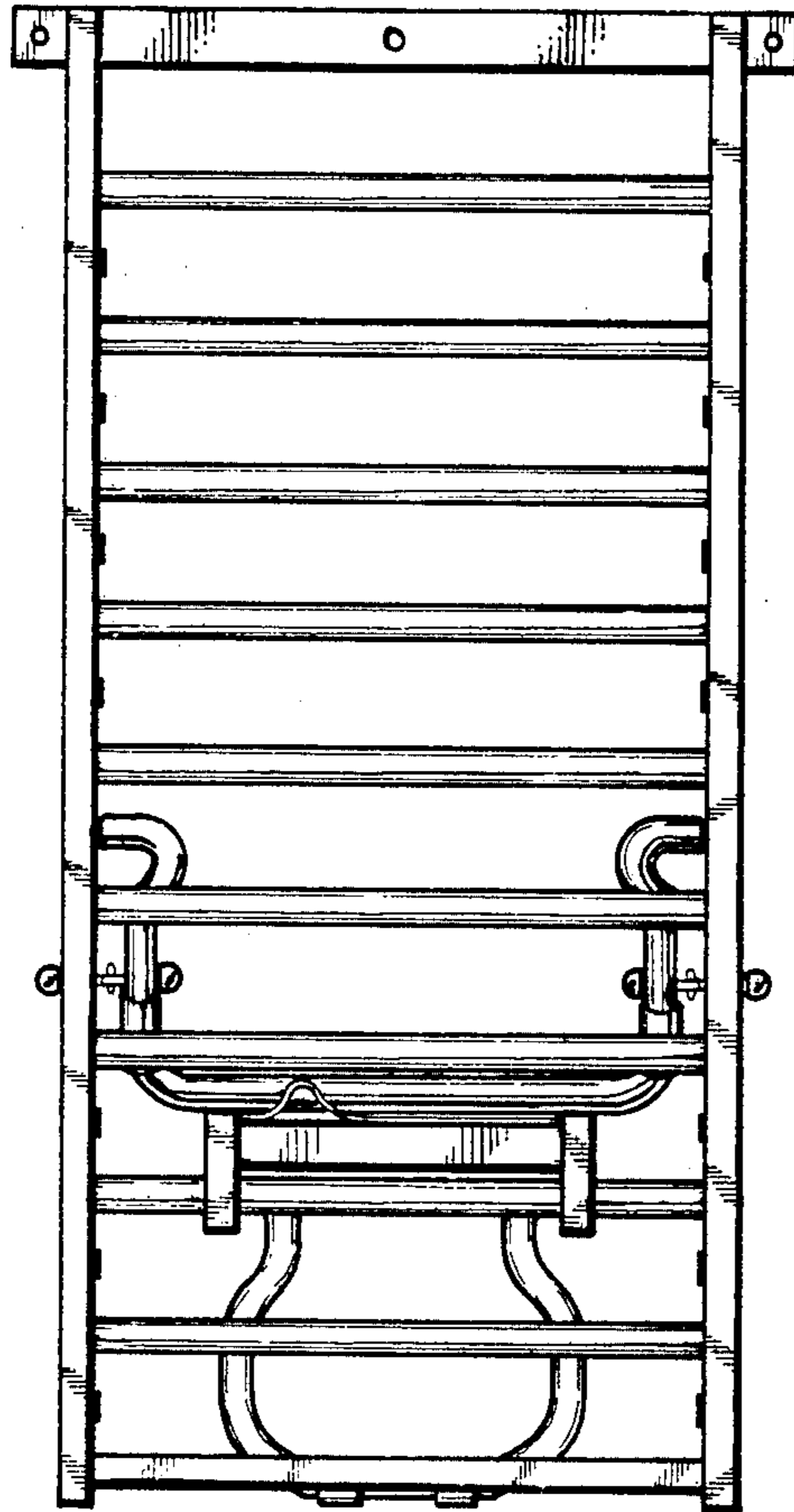


FIG. 3

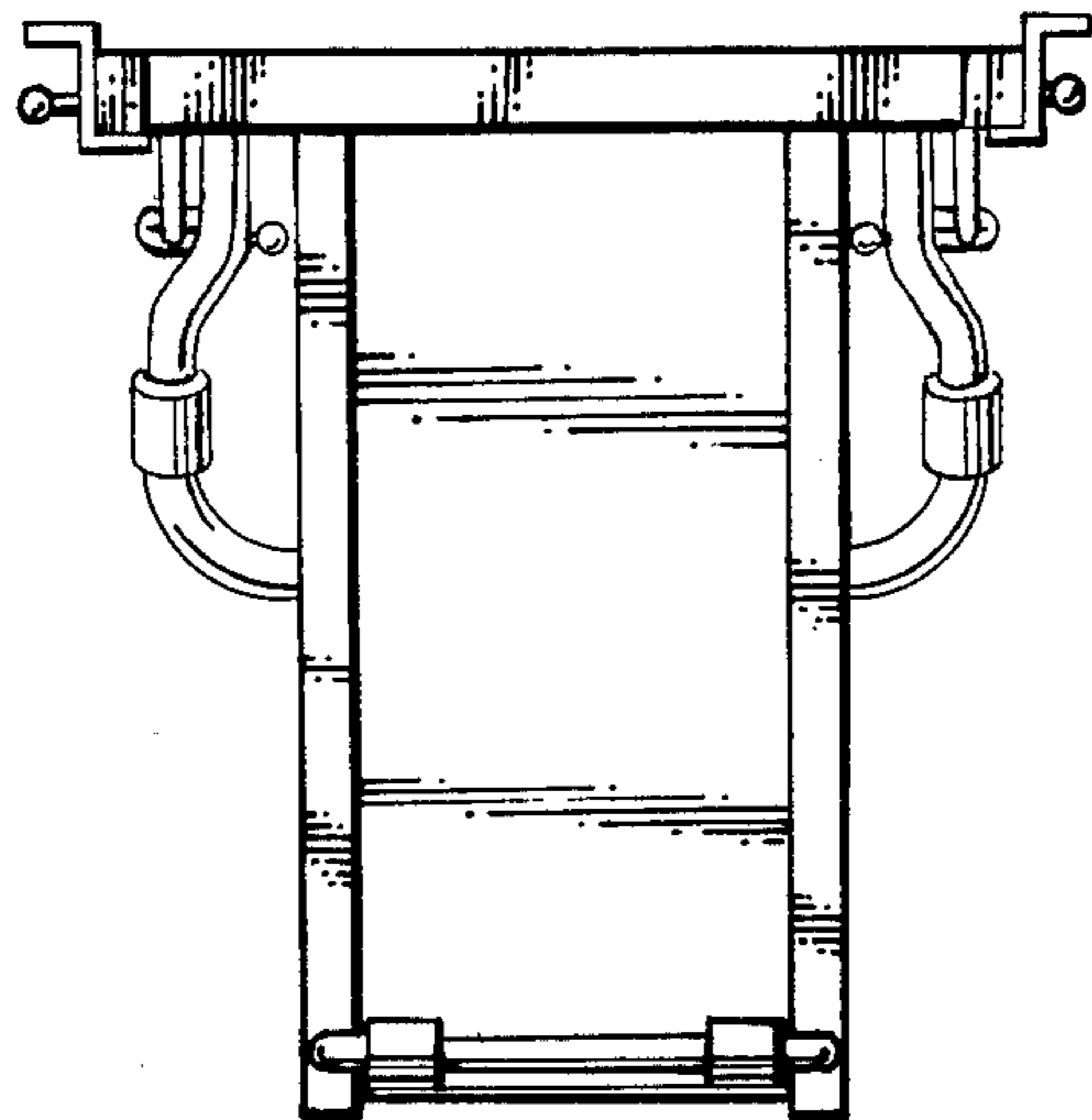


FIG. 4

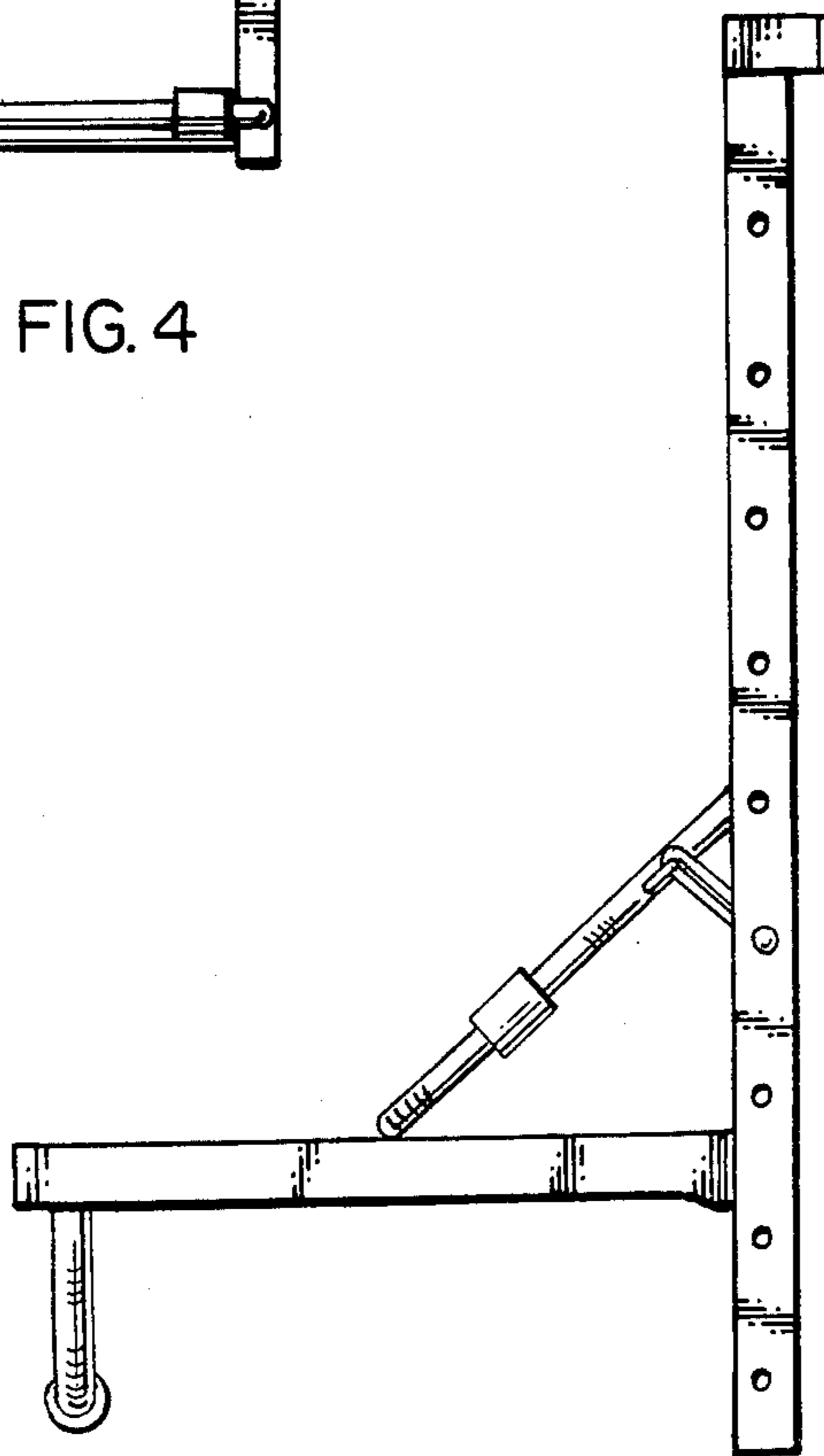


FIG. 5

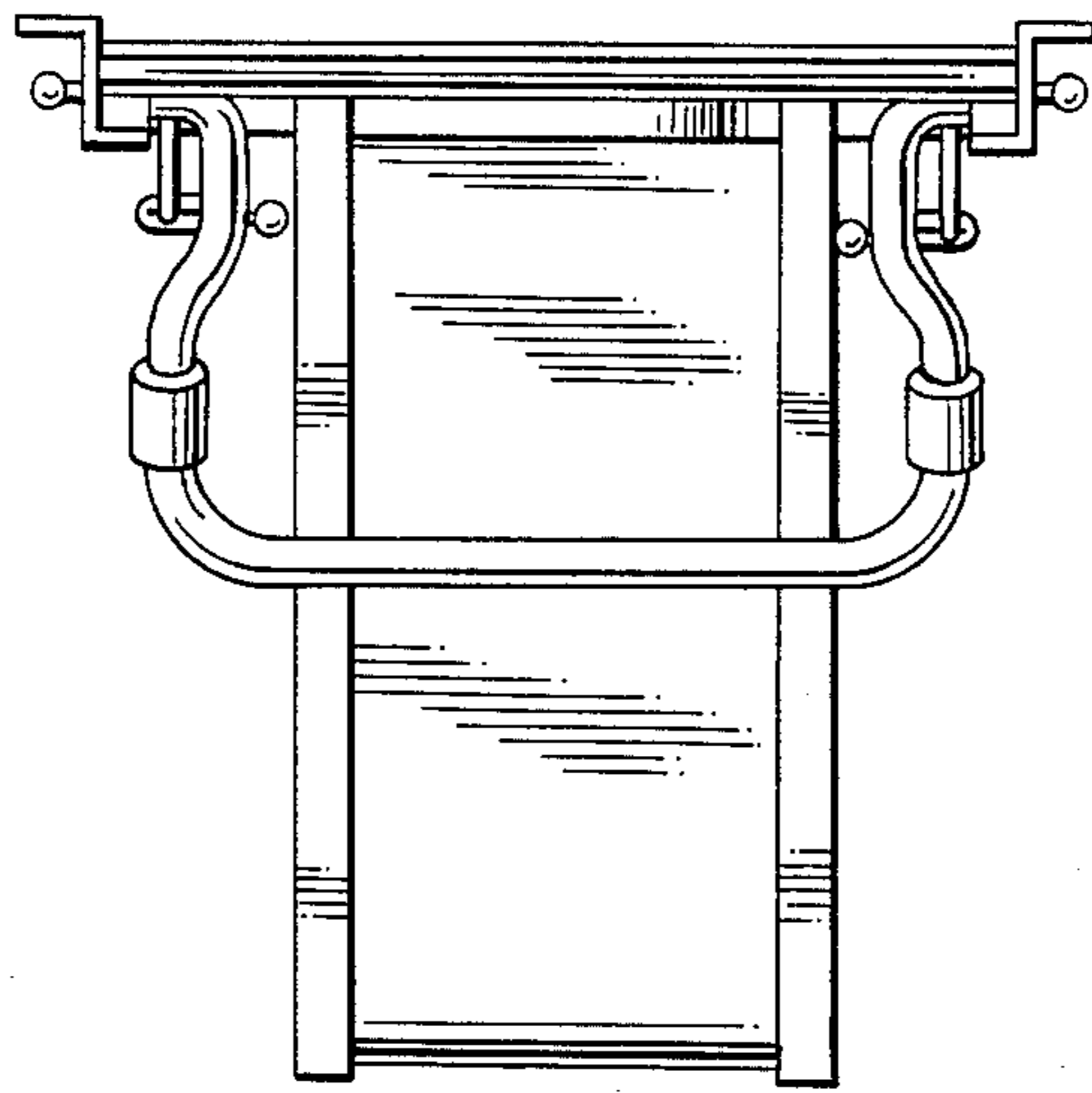


FIG. 6