

[54] RAIL ELEMENT WITH A POLECHANGER FOR A TOY RAILWAY SYSTEM

D. 291,100 7/1987 Knudsen D21/108
3,701,216 10/1972 Smith et al. 446/429

[75] Inventors: Kaj Mikkelsen; Poul F. Nielsen, both of Billund, Denmark

Primary Examiner—Charles A. Rademaker
Attorney, Agent, or Firm—Kane, Dalsimer, Sullivan, Kurucz, Levy, Eisele and Richard

[73] Assignee: Interlego A.G., Baar, Switzerland

[57] CLAIM

[**] Term: 14 Years

The ornamental design for a rail element with a polechanger for a toy railway system, as shown and described.

[21] Appl. No.: 935,576

[22] Filed: Nov. 26, 1986

DESCRIPTION

[52] U.S. Cl. D21/143; D21/108

[58] Field of Search D21/59, 108, 143, 141; 446/85, 96, 111, 114, 115, 116, 119, 435, 444, 446, 429, 447; 104/1 R, DIG. 1

FIG. 1 is a top perspective view of a rail element with a polechanger for a toy railway system showing our new design,

FIG. 2 is a bottom perspective view thereof;

FIG. 3 is a rear elevational view thereof;

FIG. 4 is a front elevational view thereof;

FIG. 5 is a top plan view thereof;

FIG. 6 is a bottom view thereof;

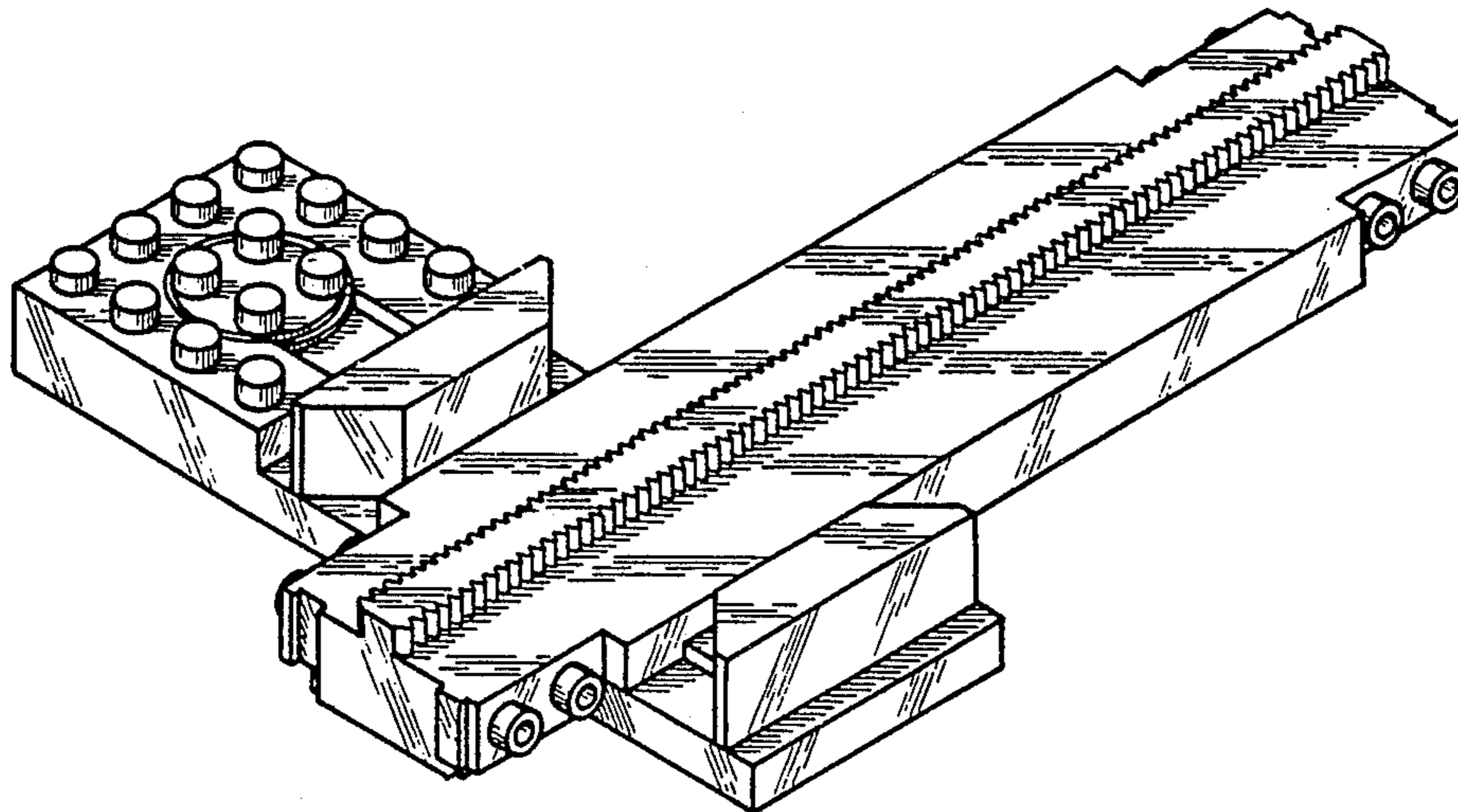
FIG. 7 is a right side elevational view thereof; and,

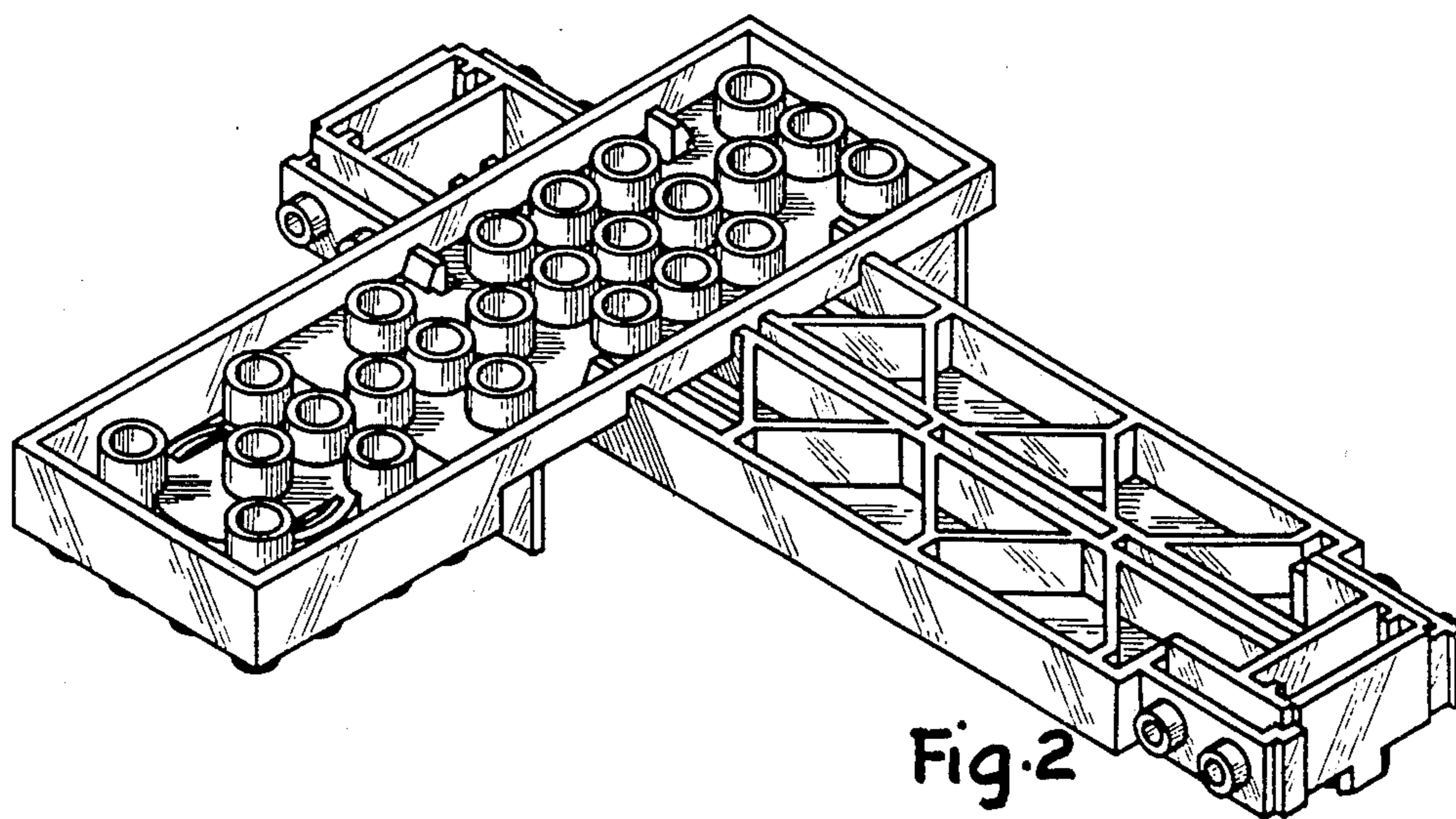
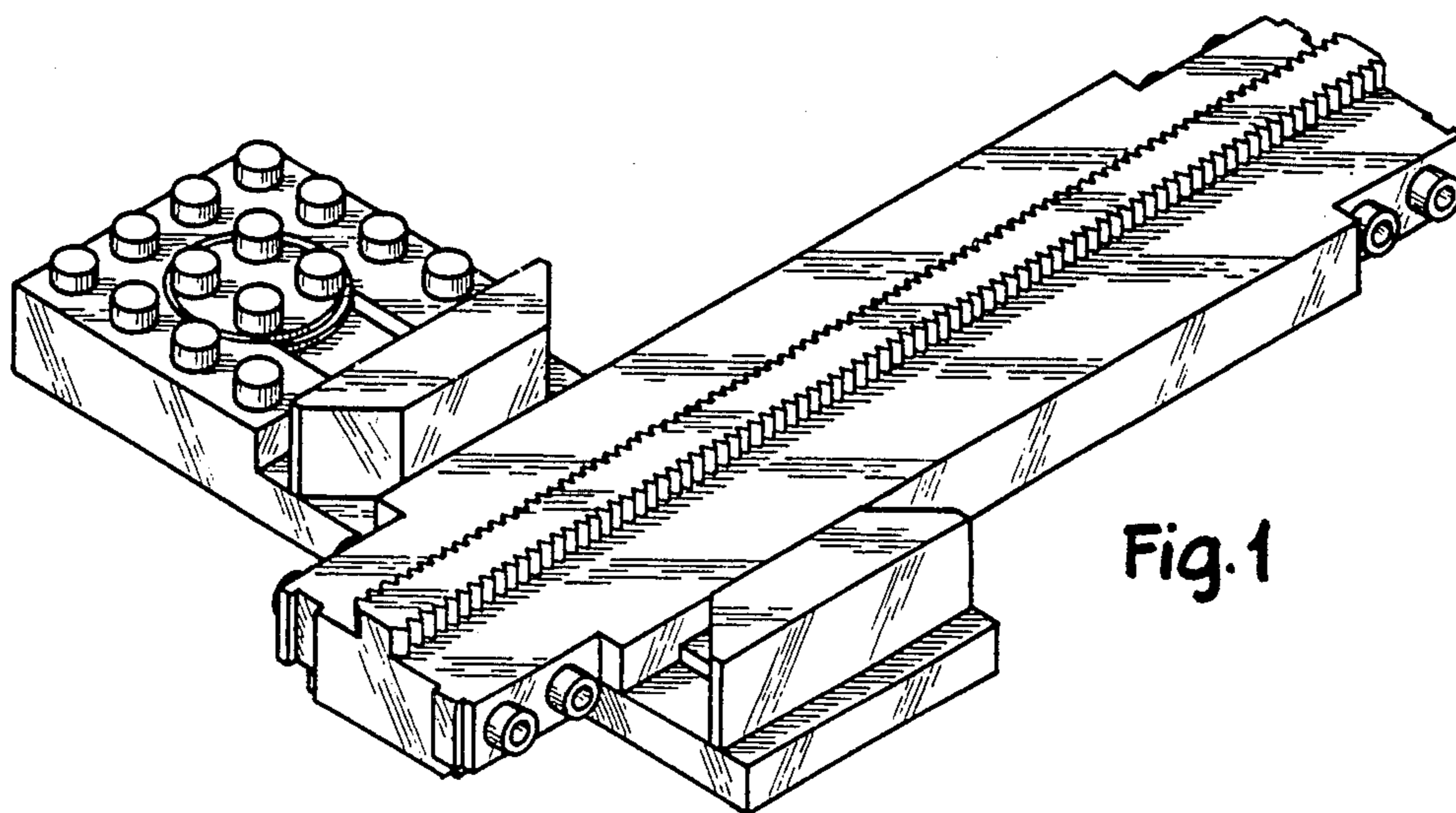
FIG. 8 is a left side elevational view thereof.

[56] References Cited

U.S. PATENT DOCUMENTS

- D. 250,056 10/1978 Heim D21/143
- D. 282,090 1/1986 Takahashi D21/108
- D. 287,519 12/1986 Takahashi D21/108





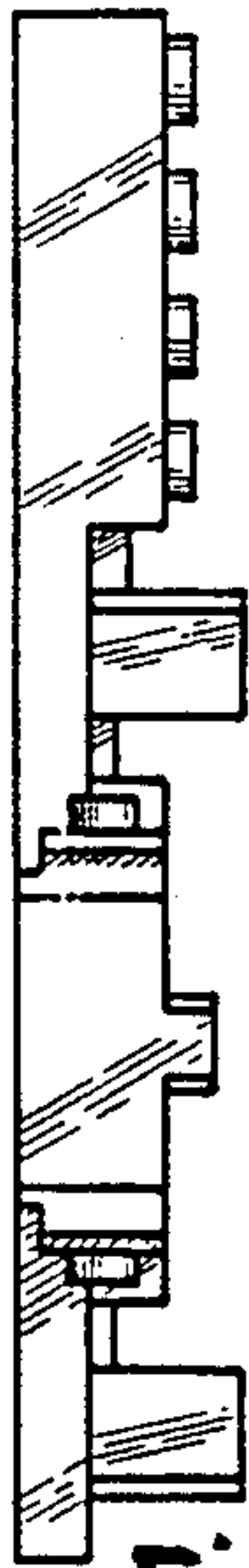


Fig. 7

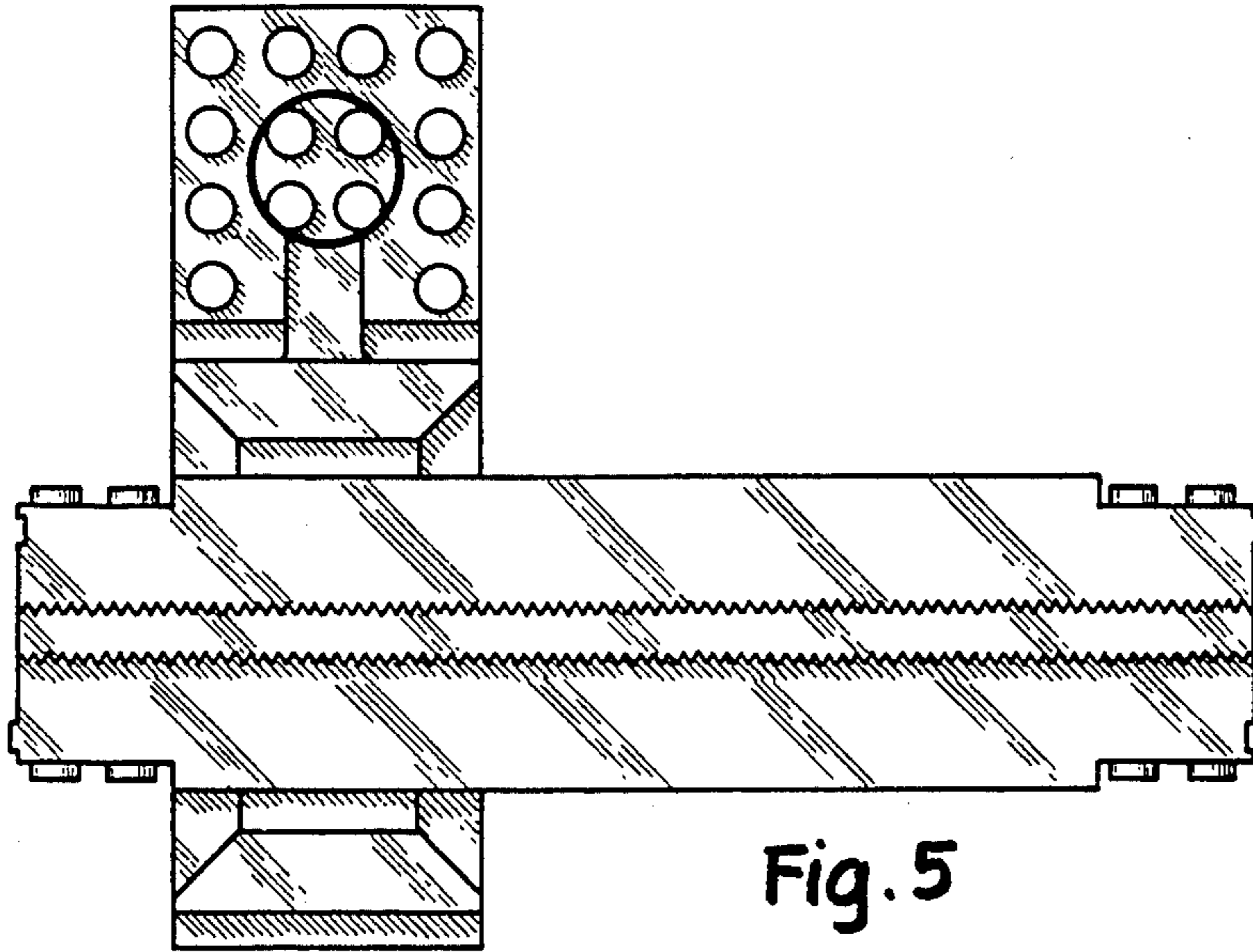


Fig. 5

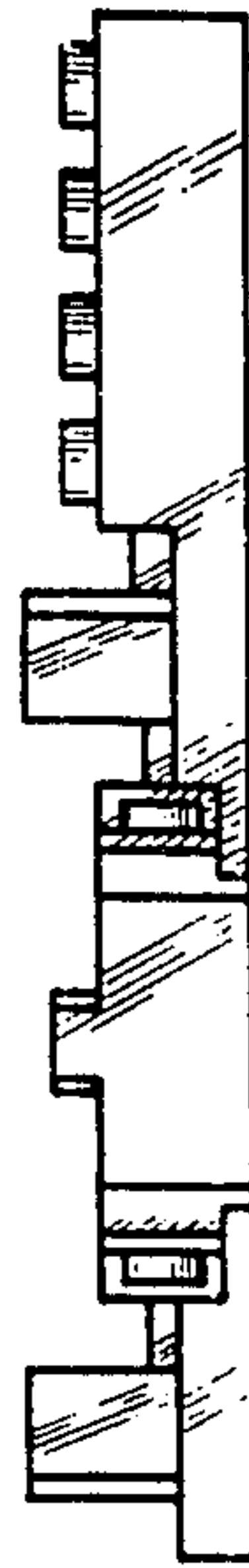


Fig. 8



Fig. 4

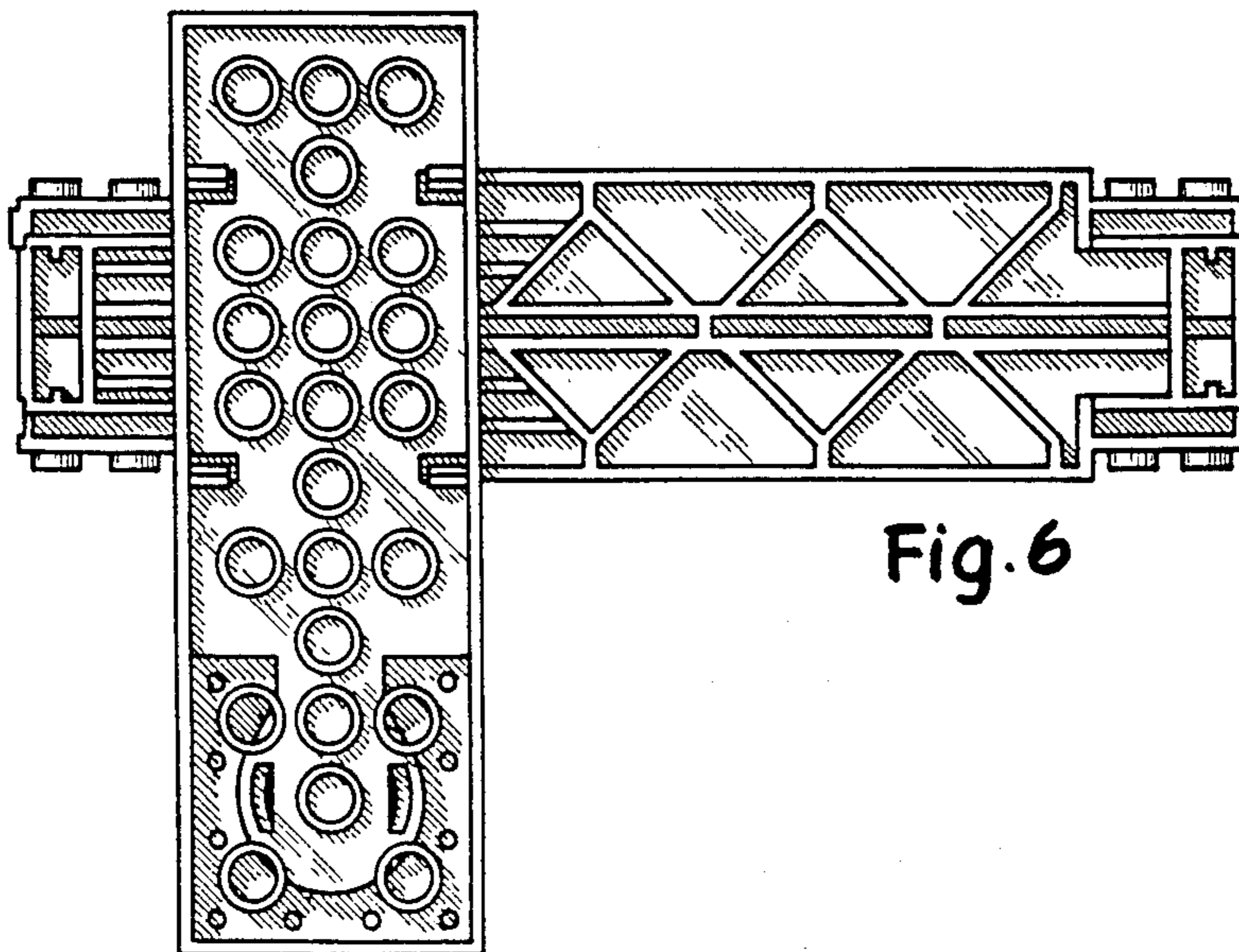


Fig. 6

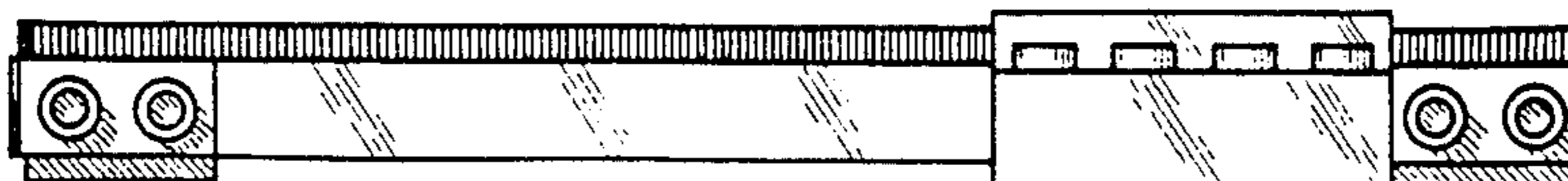


Fig. 3