

[54] GAME BOARD

FOREIGN PATENT DOCUMENTS

[76] Inventor: William R. Andrews, 2363 Barbit, Spring Valley, Calif. 92078

1075478 2/1960 Fed. Rep. of Germany ..... 273/282

Primary Examiner—Melvin B. Feifer  
Attorney, Agent, or Firm—Charmasson & Holz

[\*\*] Term: 14 Years

[57] CLAIM

[21] Appl. No.: 781,470

The ornamental design for a game board, as shown and described.

[22] Filed: Sep. 30, 1985

DESCRIPTION

[52] U.S. Cl. .... D21/15; D21/20; D21/24

FIG. 1 is a top plan view of a game board showing my new design it being understood that the center surface detail is partially shown for ease of illustration;

[58] Field of Search ..... D21/14-36; 273/282, 260, 285

FIG. 2 is a front elevational view thereof, the back view being a mirror image of the front view;

[56] References Cited

U.S. PATENT DOCUMENTS

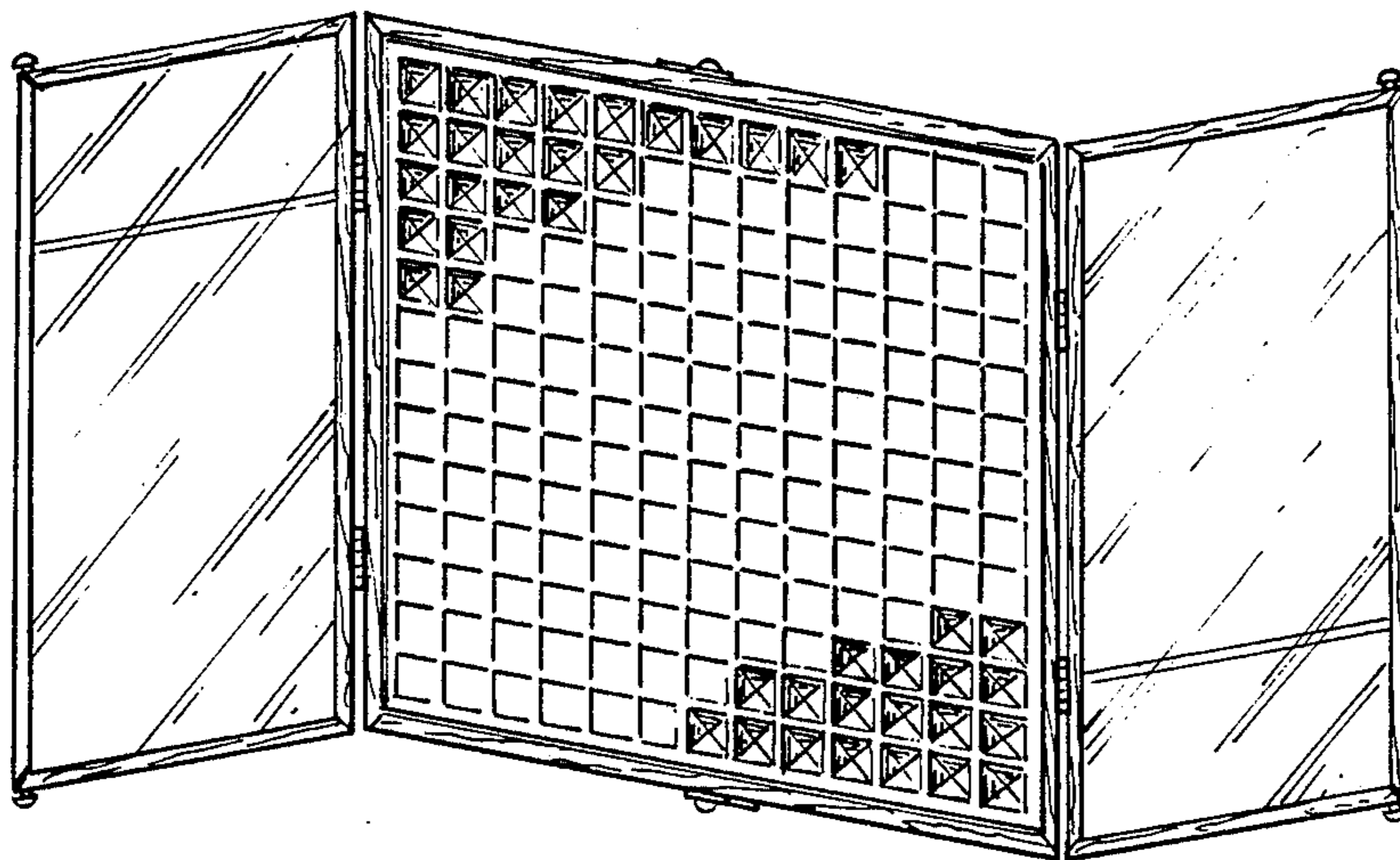
- 1,781,529 11/1930 Shulman ..... 273/260
- 2,084,912 6/1937 Klep ..... 273/282
- 2,757,934 8/1956 Dunbar .

FIG. 3 is a right side view thereof, the left side view being a mirror image of the right side view;

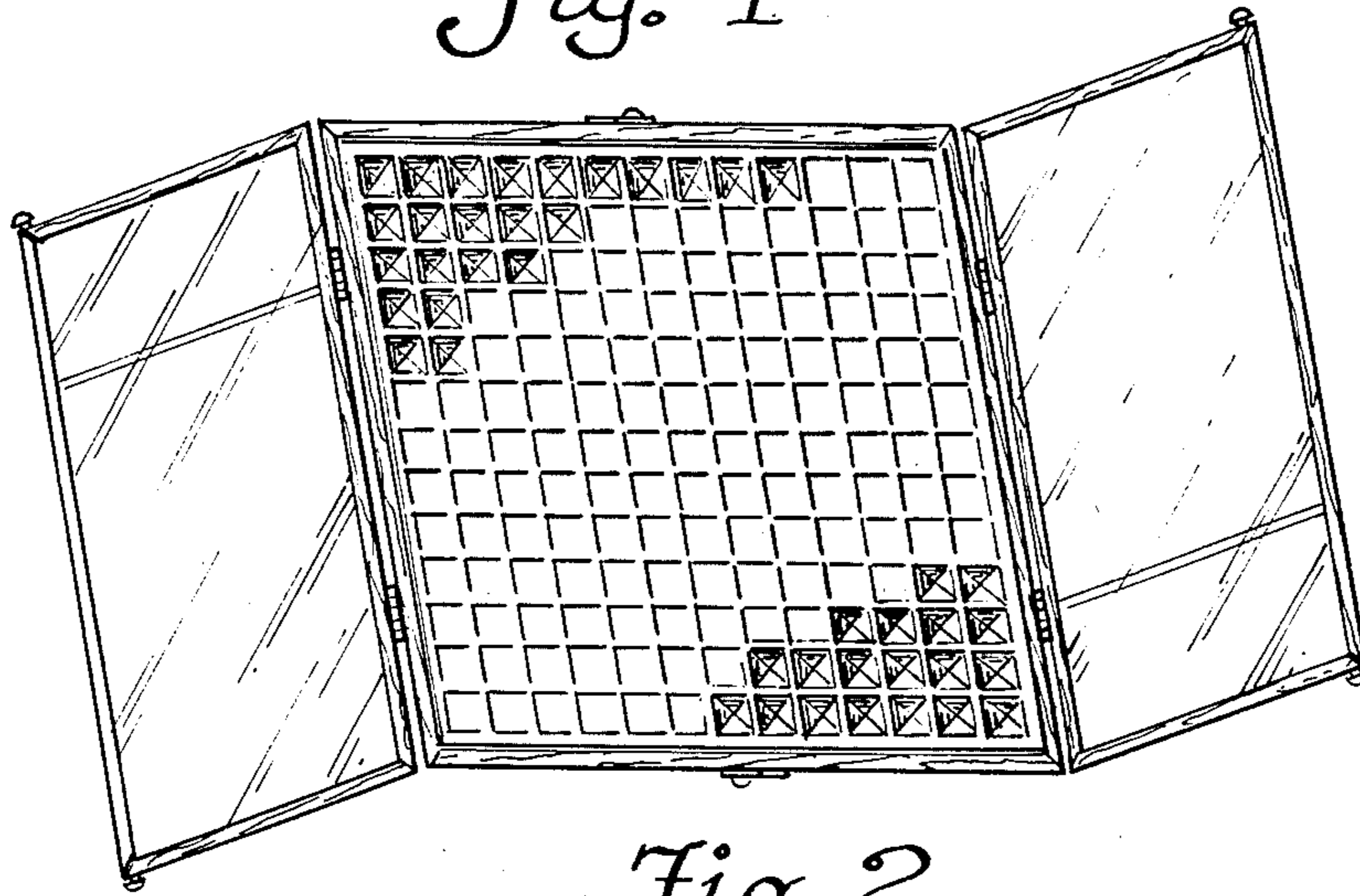
FIG. 4 is a bottom view thereof;

FIG. 5 is a perspective view of the game board shown in the folded position; and

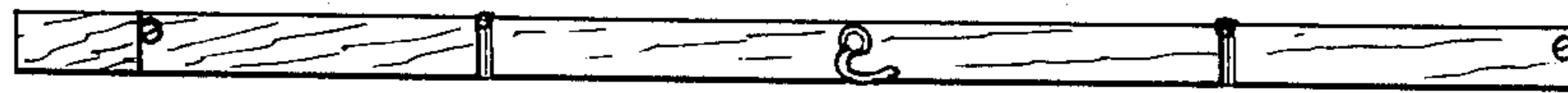
FIG. 6 is an enlarged top plan view of a section of the center piece surface shown in FIG. 1.



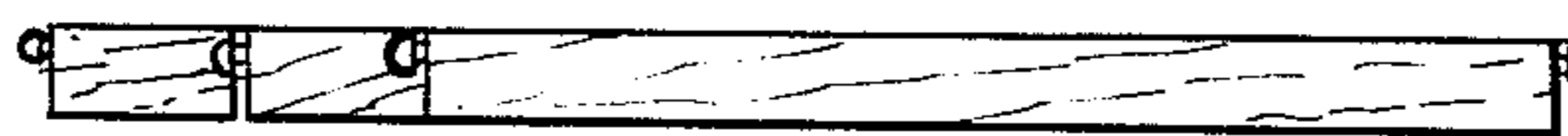
*Fig. 1*



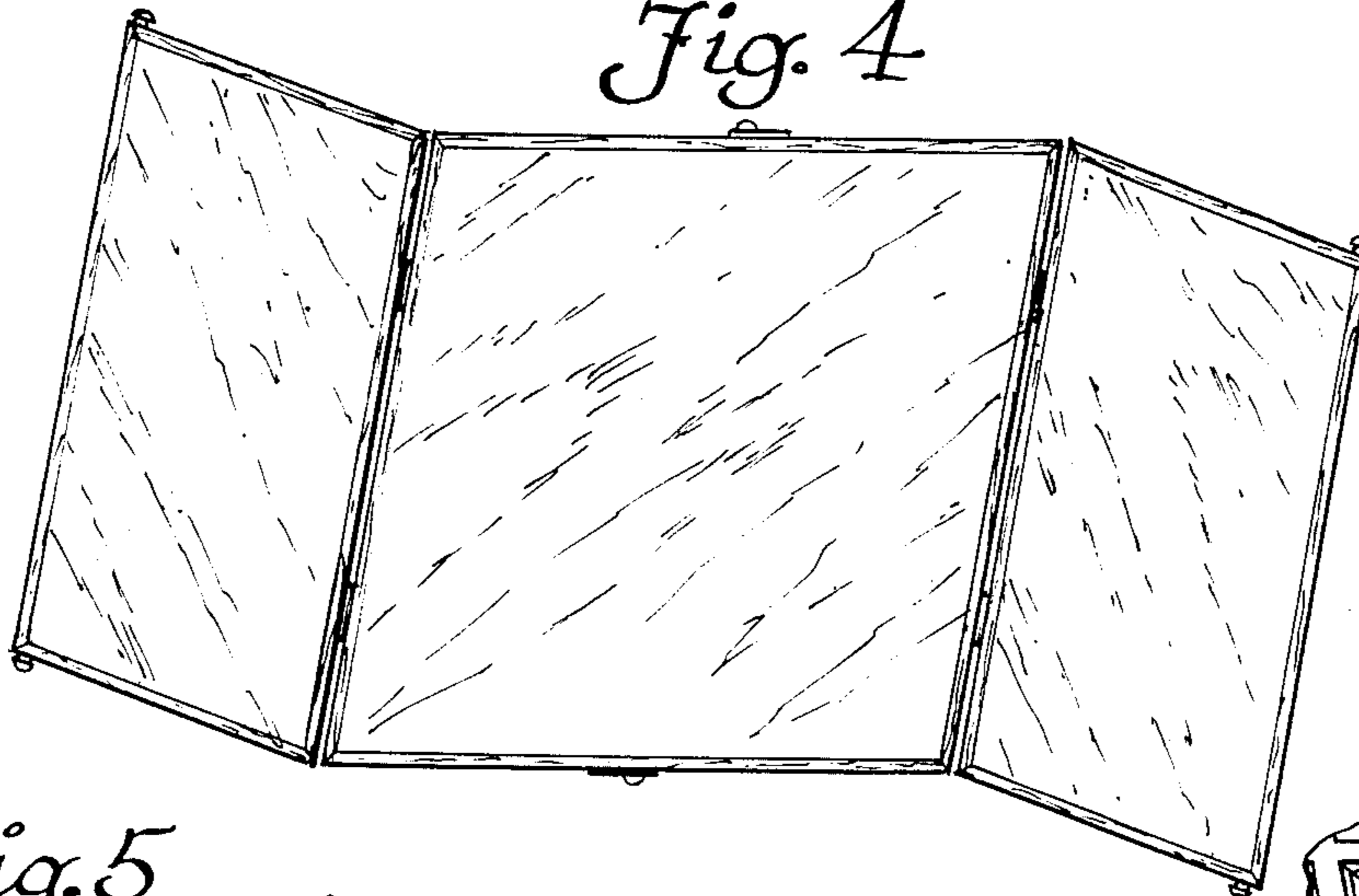
*Fig. 2*



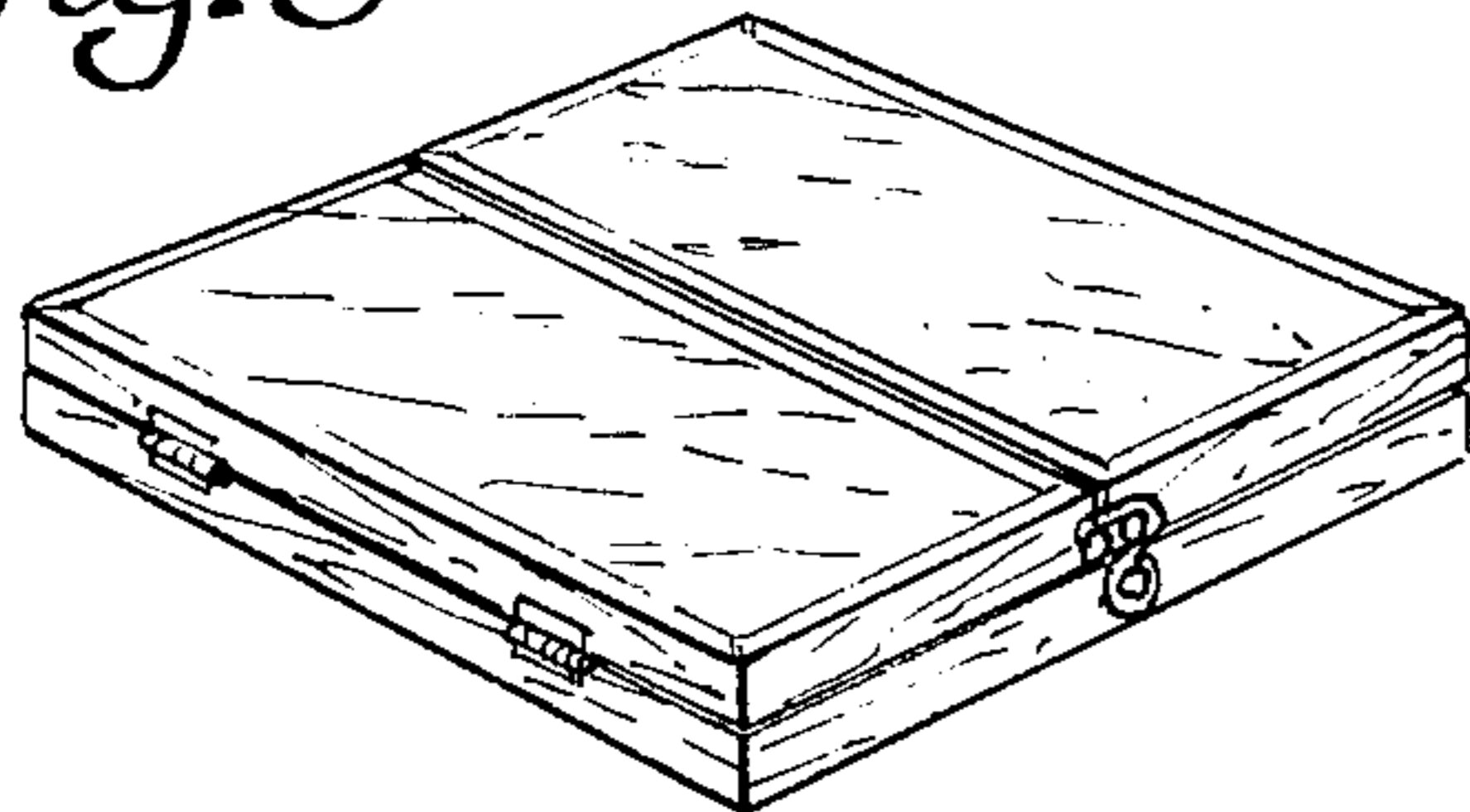
*Fig. 3*



*Fig. 4*



*Fig. 5*



*Fig. 6*

