

United States Patent [19]

Tsuburaya et al.

[11] Patent Number: Des. 296,790

[45] Date of Patent: ** Jul. 19, 1988

[54] INDUSTRIAL ROBOT

[75] Inventors: Kazuyuki Tsuburaya, Akikawa;
Masato Shibayama, Sayama; Takeshi
Abe, Tokyo; Ko Tsuji, Hunabashi;
Akira Uchida; Masayuki Ohshiro,
both of Narashino, all of Japan

[73] Assignee: Hitachi, Ltd., Tokyo, Japan

[**] Term: 14 Years

[21] Appl. No.: 834,456

[22] Filed: Feb. 20, 1986

[30] Foreign Application Priority Data

Nov. 22, 1985 [JP] Japan 60-48689
[52] U.S. Cl. D15/199; D15/122
[58] Field of Search D15/122, 199; 414/729,
414/732, 735, 738

[56] References Cited

U.S. PATENT DOCUMENTS

D. 279,572 7/1985 Yasuoka et al. D15/199
D. 280,203 8/1985 Shibayama et al. D15/122
D. 292,000 9/1987 Shibayama et al. D15/122
4,396,344 8/1983 Sugimoto 414/735
4,626,165 12/1986 Nakashima et al. 414/735

Primary Examiner—B. J. Bullock
Attorney, Agent, or Firm—Antonelli, Terry & Wands

[57] CLAIM

The ornamental design for an industrial robot, as shown and described.

DESCRIPTION

FIG. 1 is a front, top and left side elevational perspective view of a industrial robot showing our new design; FIG. 2 is a front elevational view thereof; FIG. 3 is a left side elevational view thereof; FIG. 4 is a right side elevational view thereof; FIG. 5 is a rear elevational view thereof; FIG. 6 is a top plan view thereof; FIG. 7 is a bottom plan view thereof; and FIG. 8 is a front, top and left side elevational perspective view with the arm in another position.

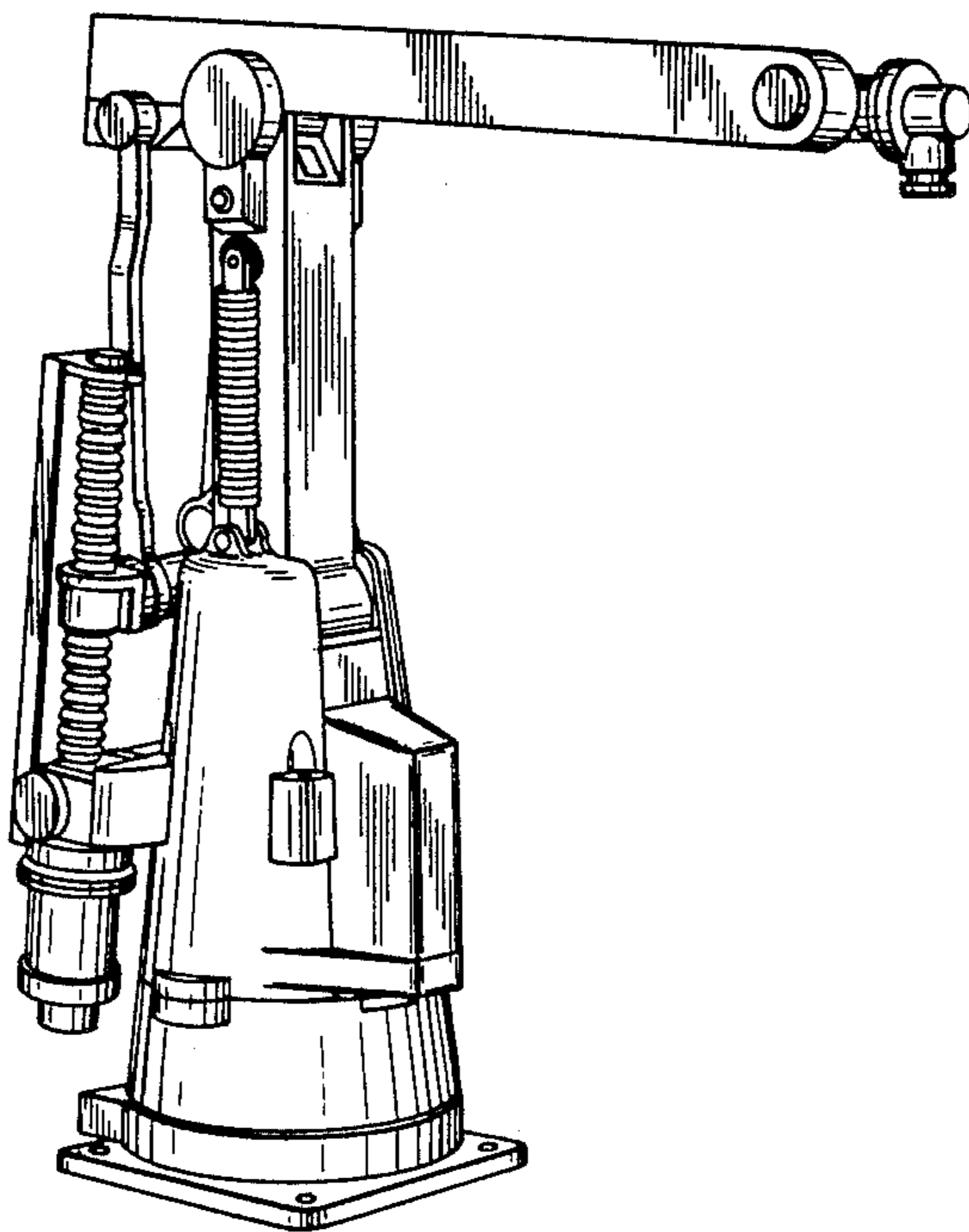


FIG. 2

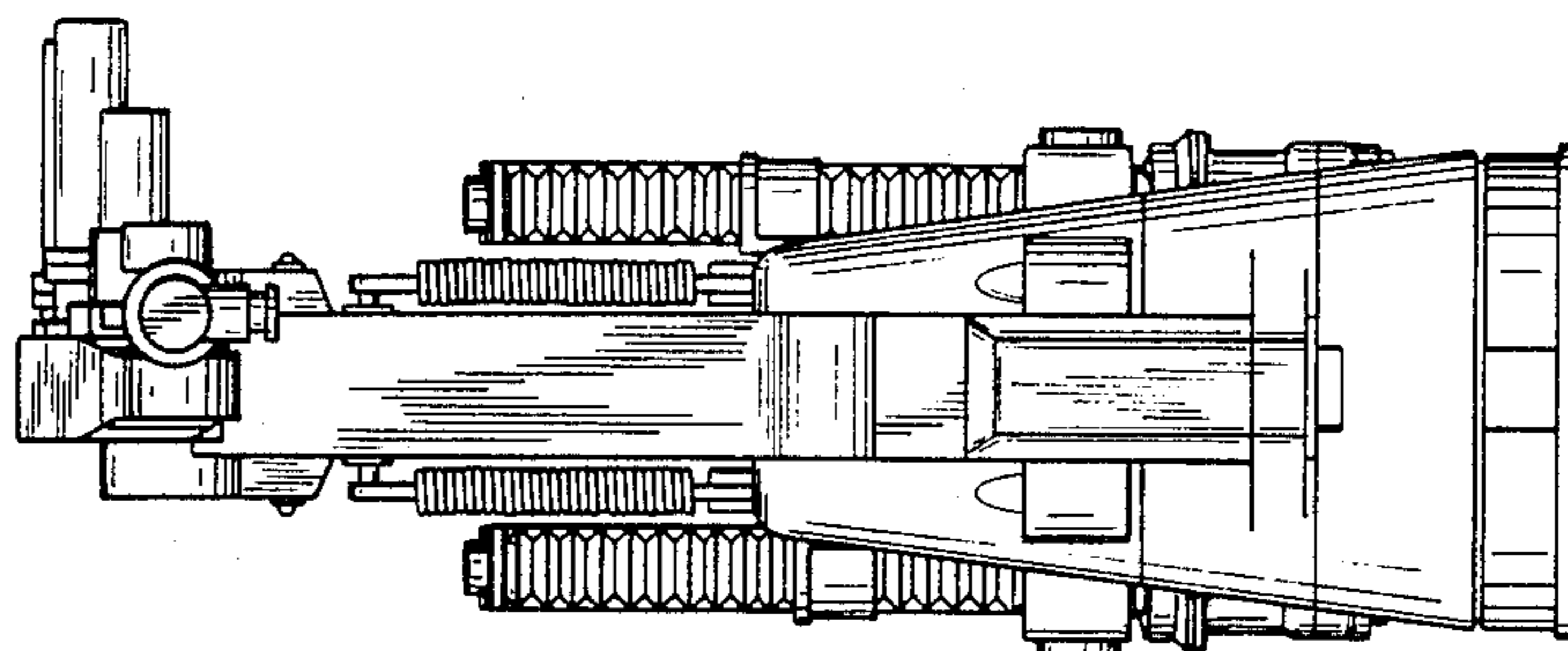
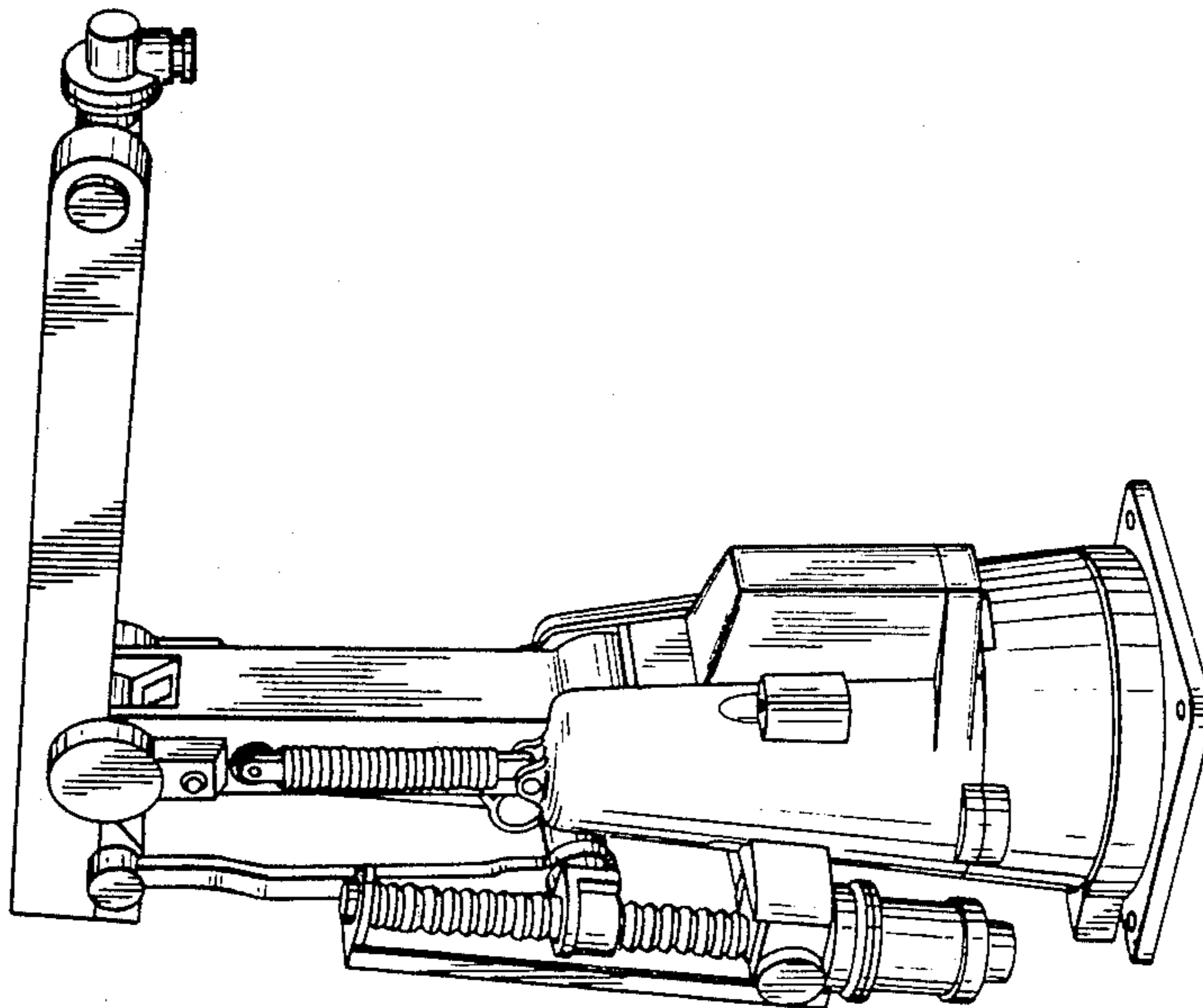


FIG. 1



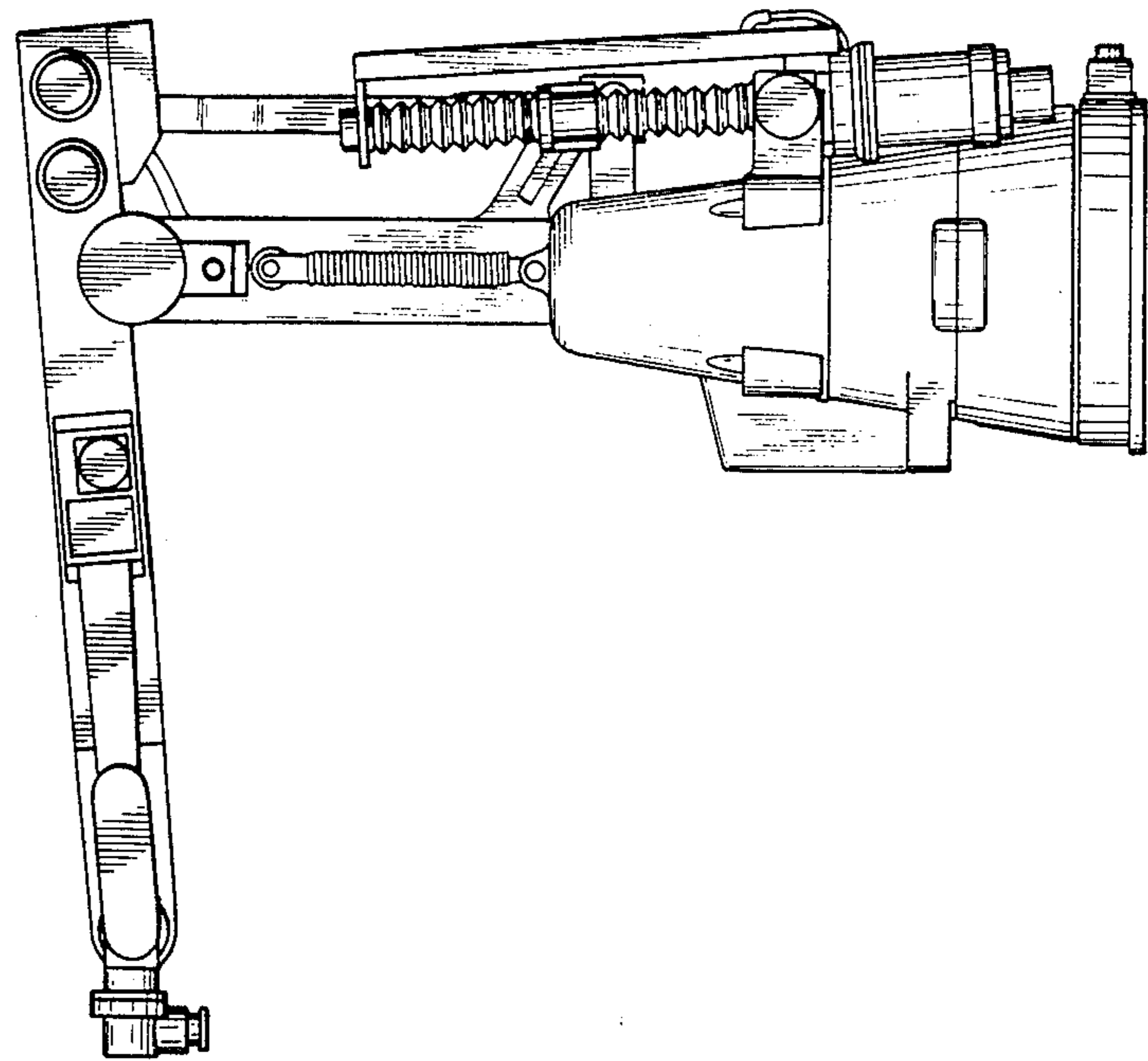


FIG. 4

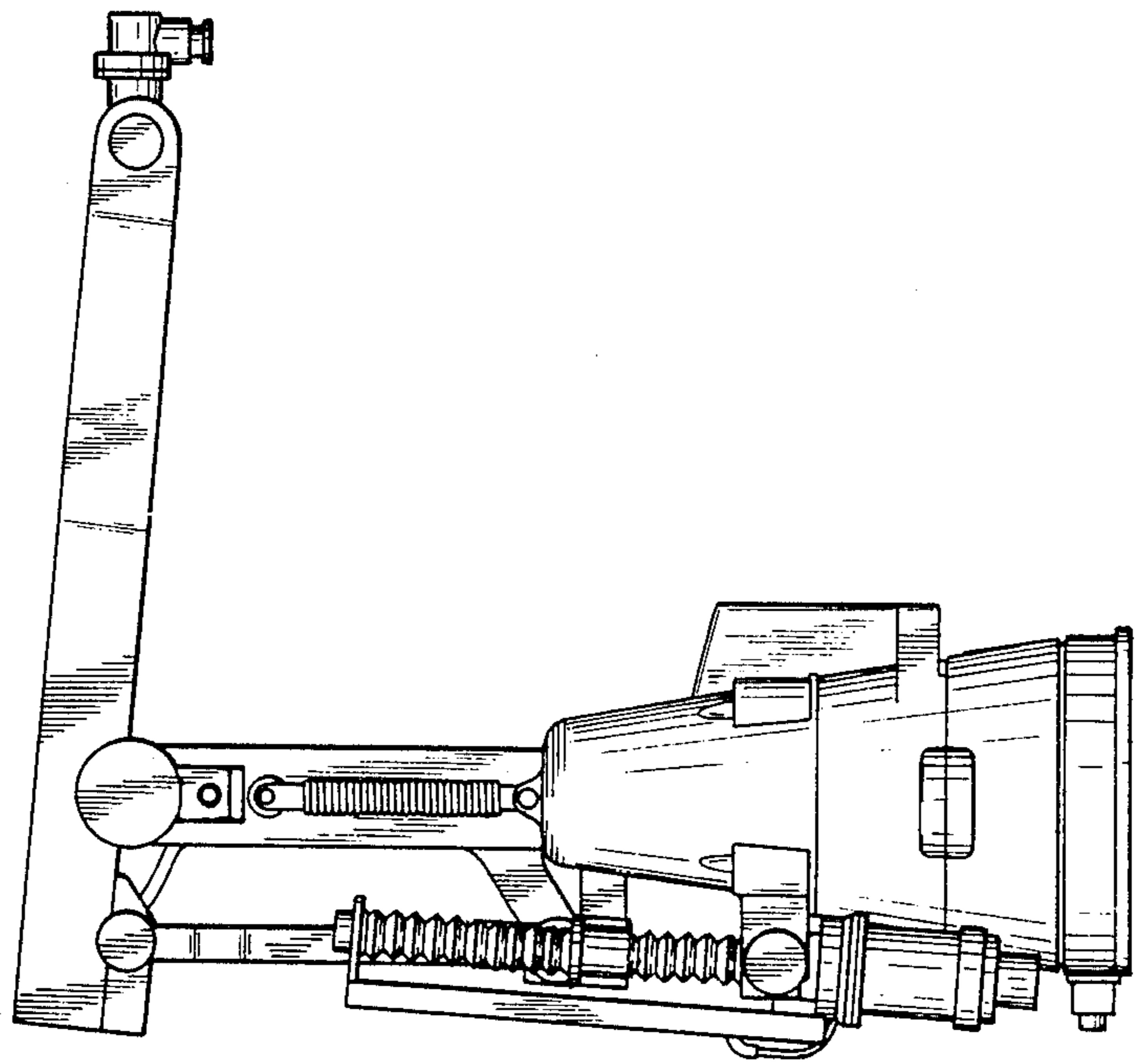


FIG. 3

FIG. 7

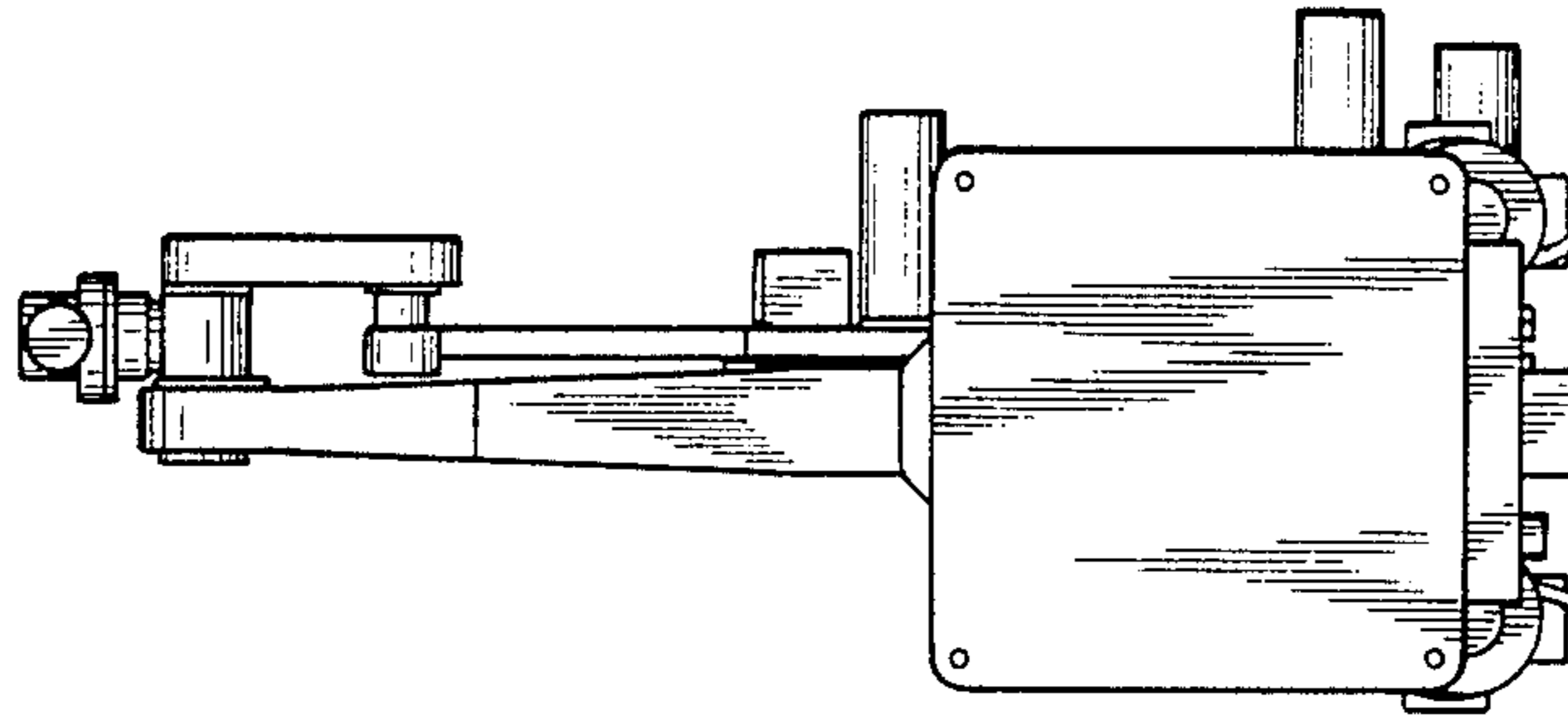


FIG. 6

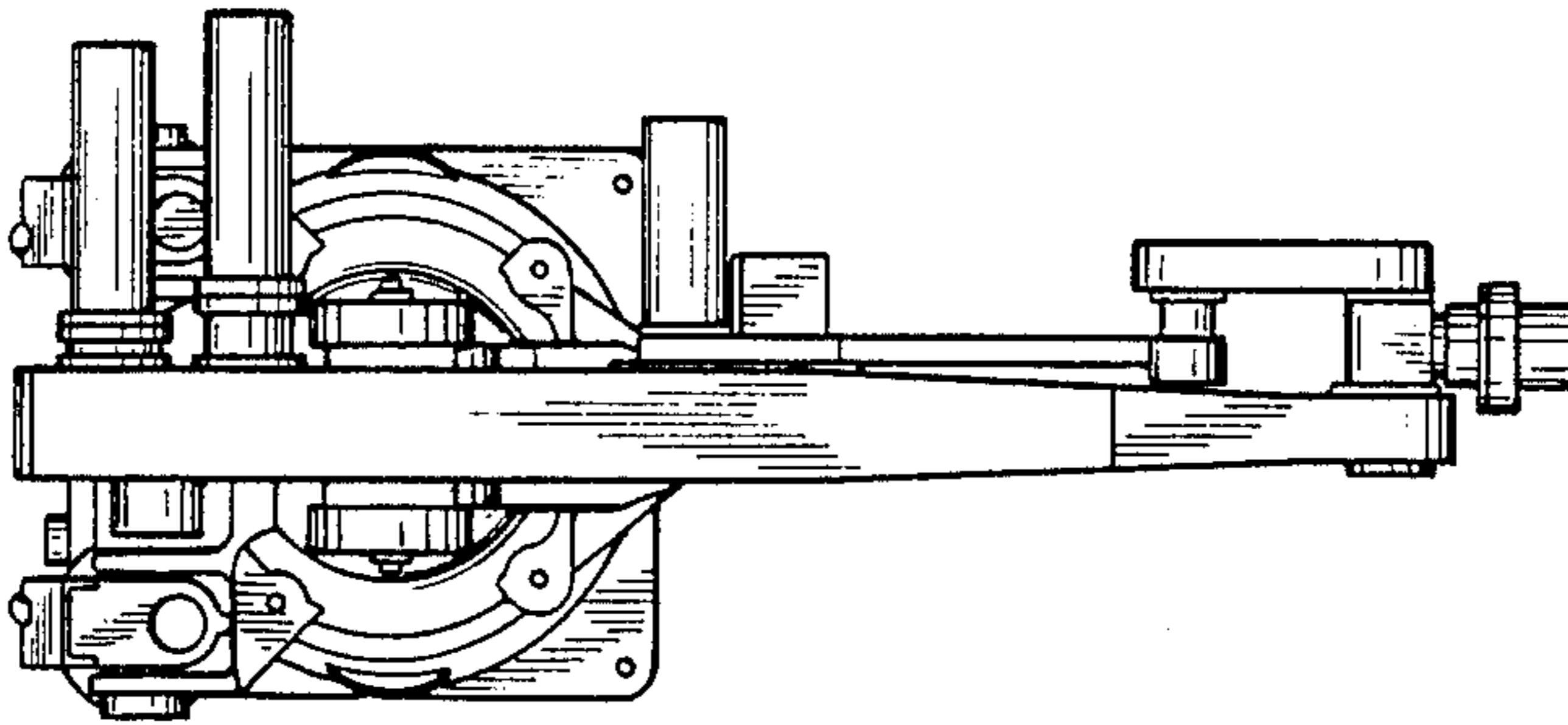


FIG. 5

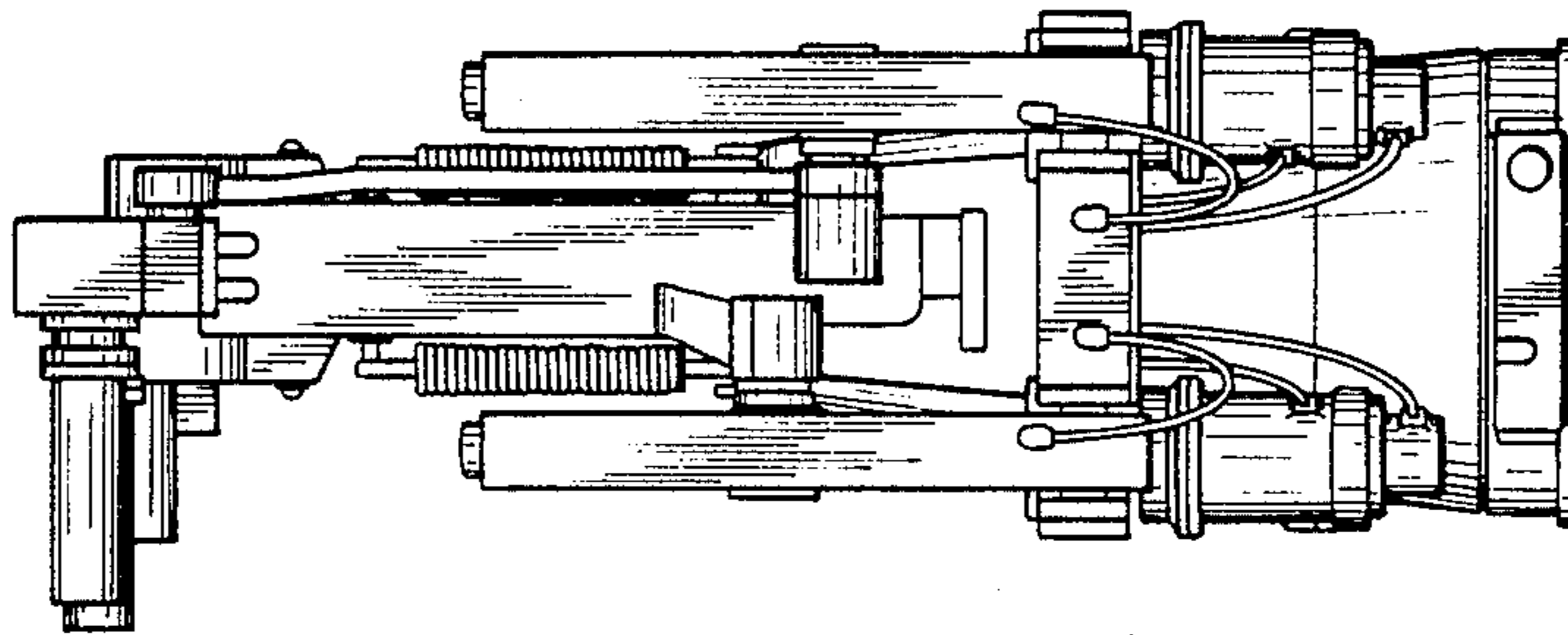


FIG. 8

