

[54] FRONT, BACK AND SIDES OF HOUSING FOR MANURE AND SLUDGE SPREADER [56]

[75] Inventor: Lars G. Larsson, Lingham, Sweden

[73] Assignee: Linkopings Kontrollhonseri AB, Linkoping, Sweden

[\*\*] Term: 14 Years

[21] Appl. No.: 927,343

[22] Filed: Nov. 5, 1986

Related U.S. Application Data

[63] Continuation of Ser. No. 630,020, Jul. 12, 1984, abandoned.

[30] Foreign Application Priority Data

Feb. 2, 1984 [SE] Sweden ..... 84-0327
[52] U.S. Cl. .... D15/13
[58] Field of Search ..... D15/10, 13, 27; 239/681, 682, 683, 673, 675, 676, 670

References Cited

U.S. PATENT DOCUMENTS

Table with 4 columns: Patent No., Date, Inventor, and Patent No. Includes entries for Van Mill, Haley, Kavan et al., Tyler, and Martin.

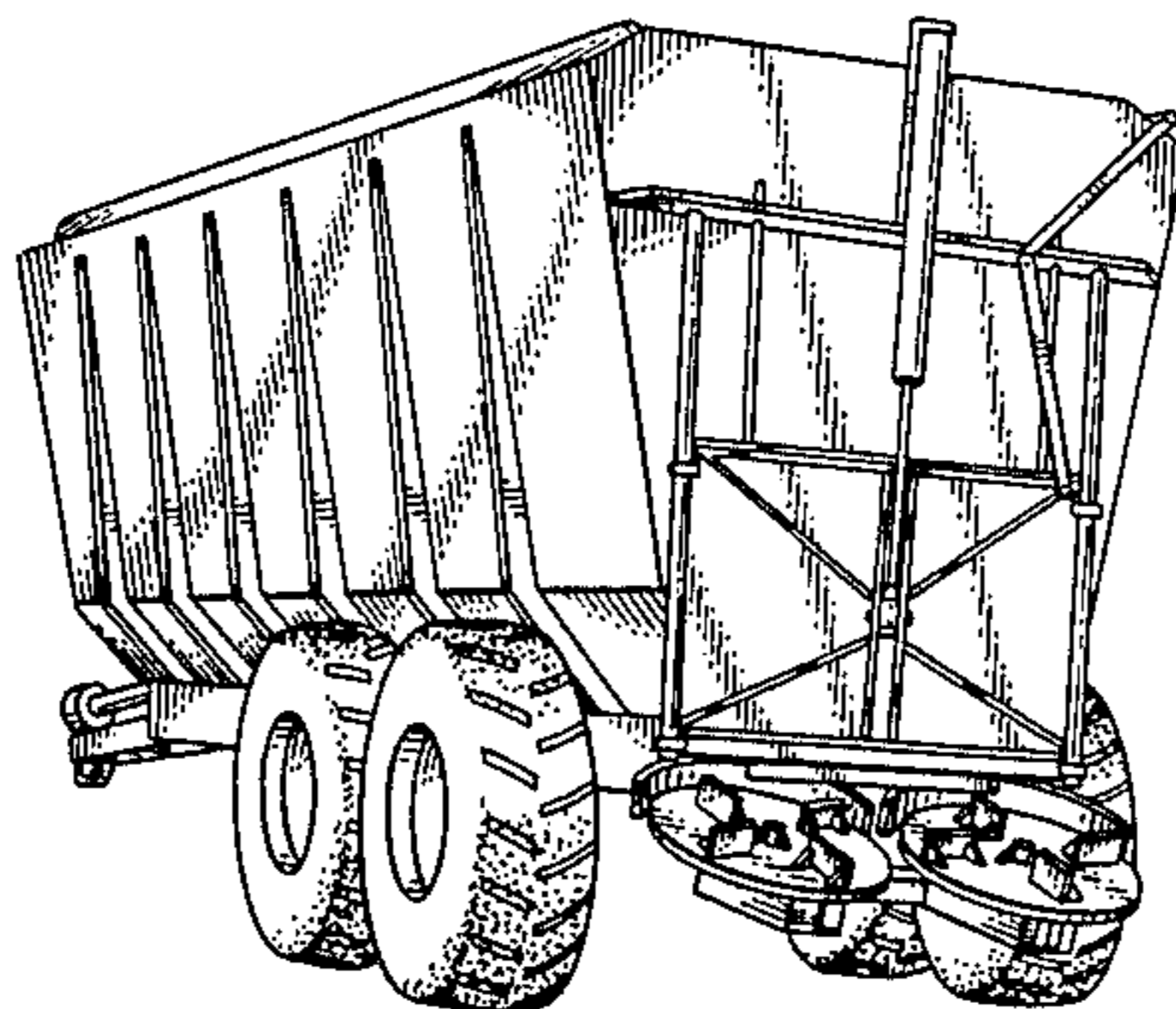
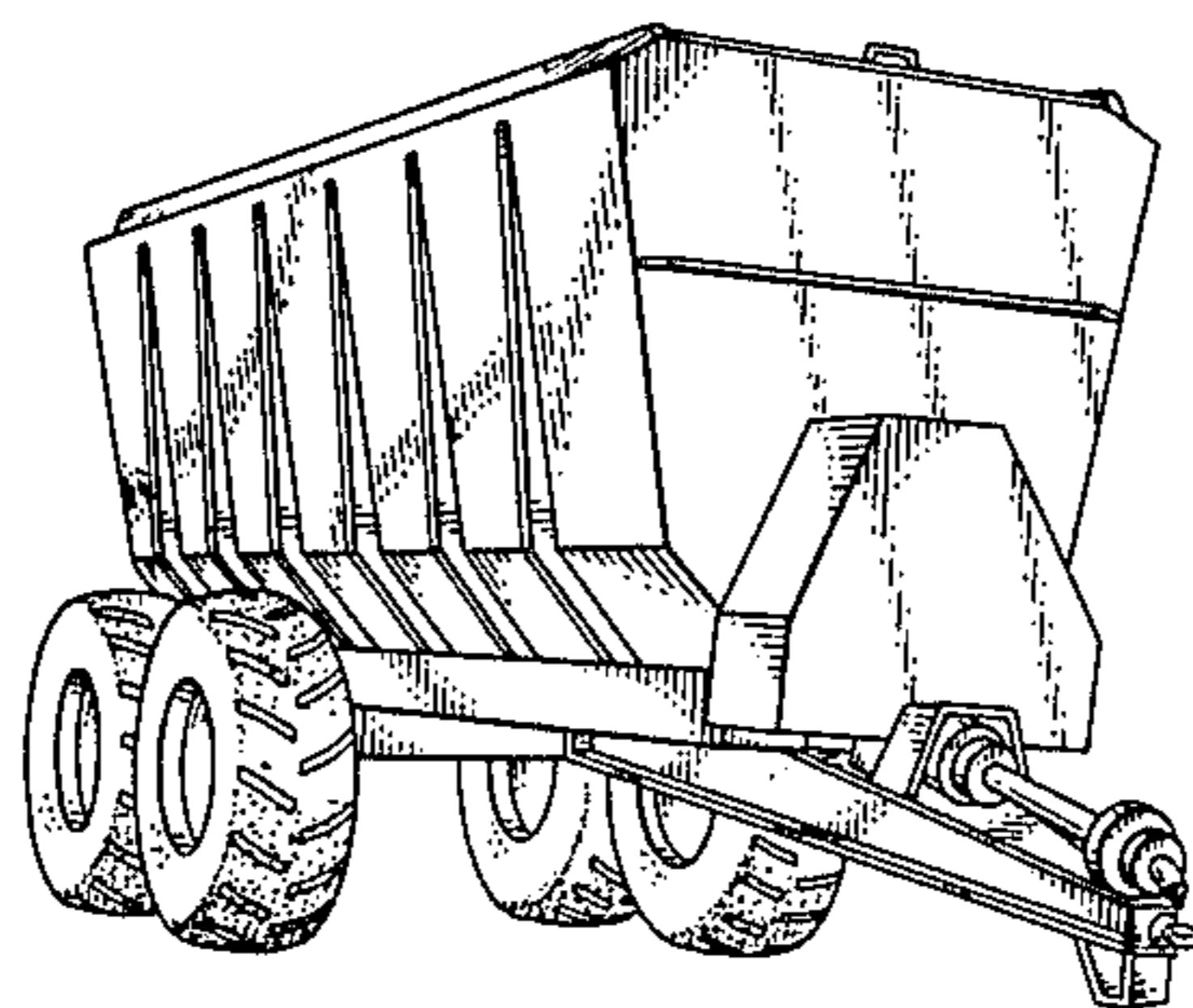
Primary Examiner—B. J. Bullock
Attorney, Agent, or Firm—Ciotti & Murashige, Irell & Manella

[57] CLAIM

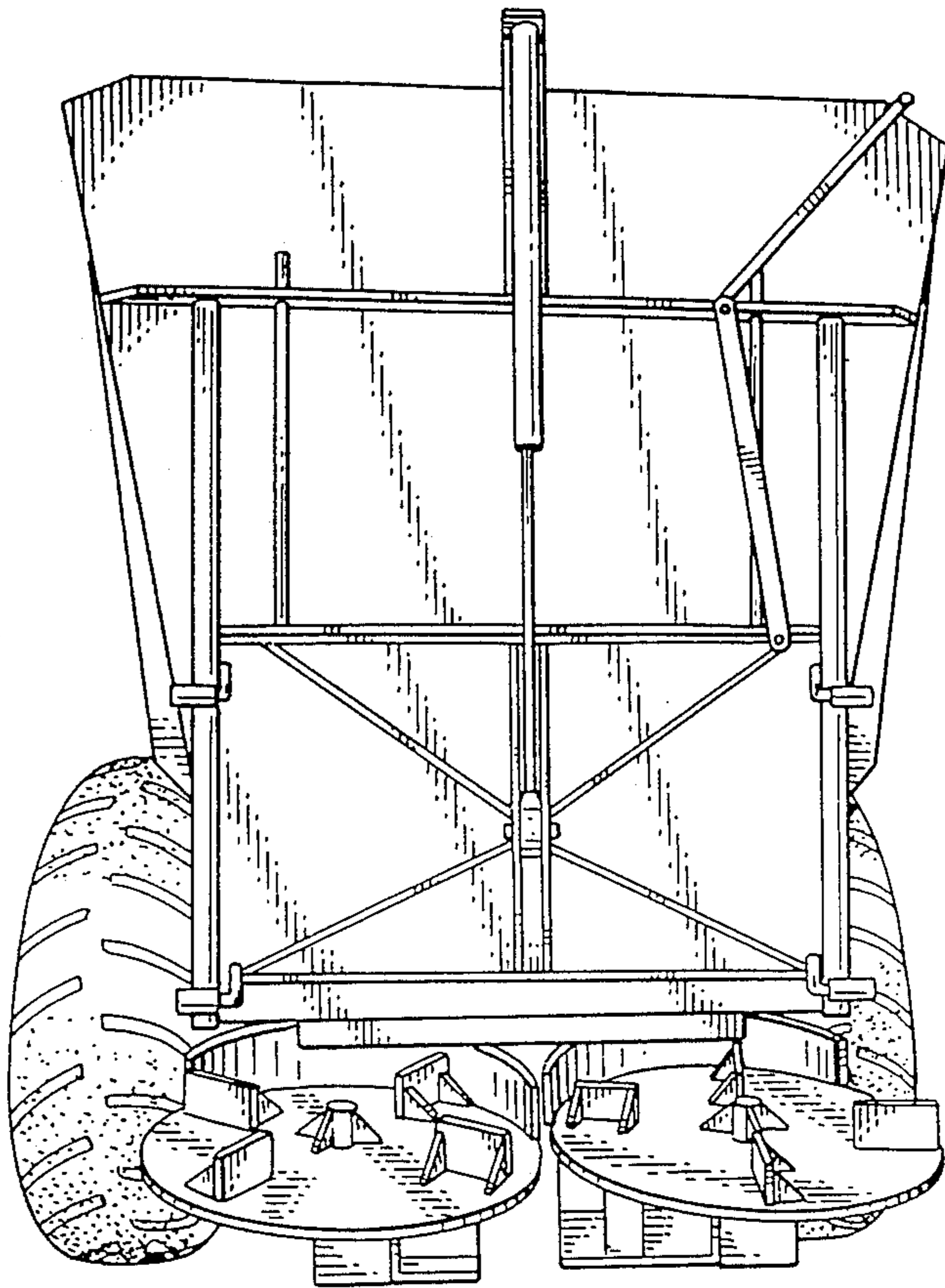
The ornamental design for the front, back, and sides of housing for manure and sludge spreader, substantially as shown and described.

DESCRIPTION

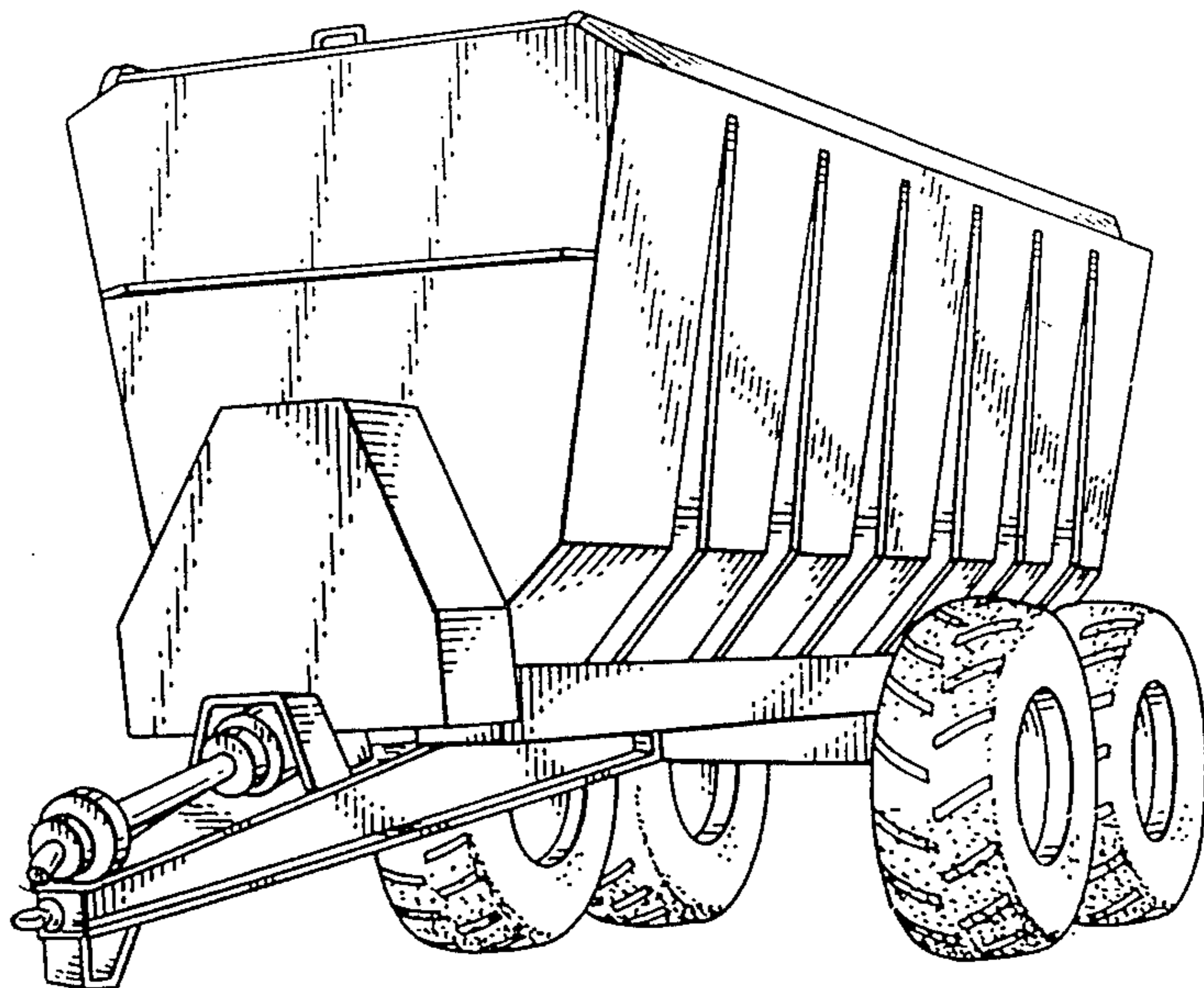
FIG. 1 is a rear perspective view of a combined manure and sludge spreader with the rear door in the closed position, showing my new design;
FIG. 2 is a reduced front and left side perspective view thereof;
FIG. 3 is a reduced front and right side perspective view thereof;
FIG. 4 shows a side perspective of the rear surface shown in FIG. 1.
The undisclosed top and bottom of the housing for manure and sludge spreader are unornamented.



FIG\_1



FIG\_2



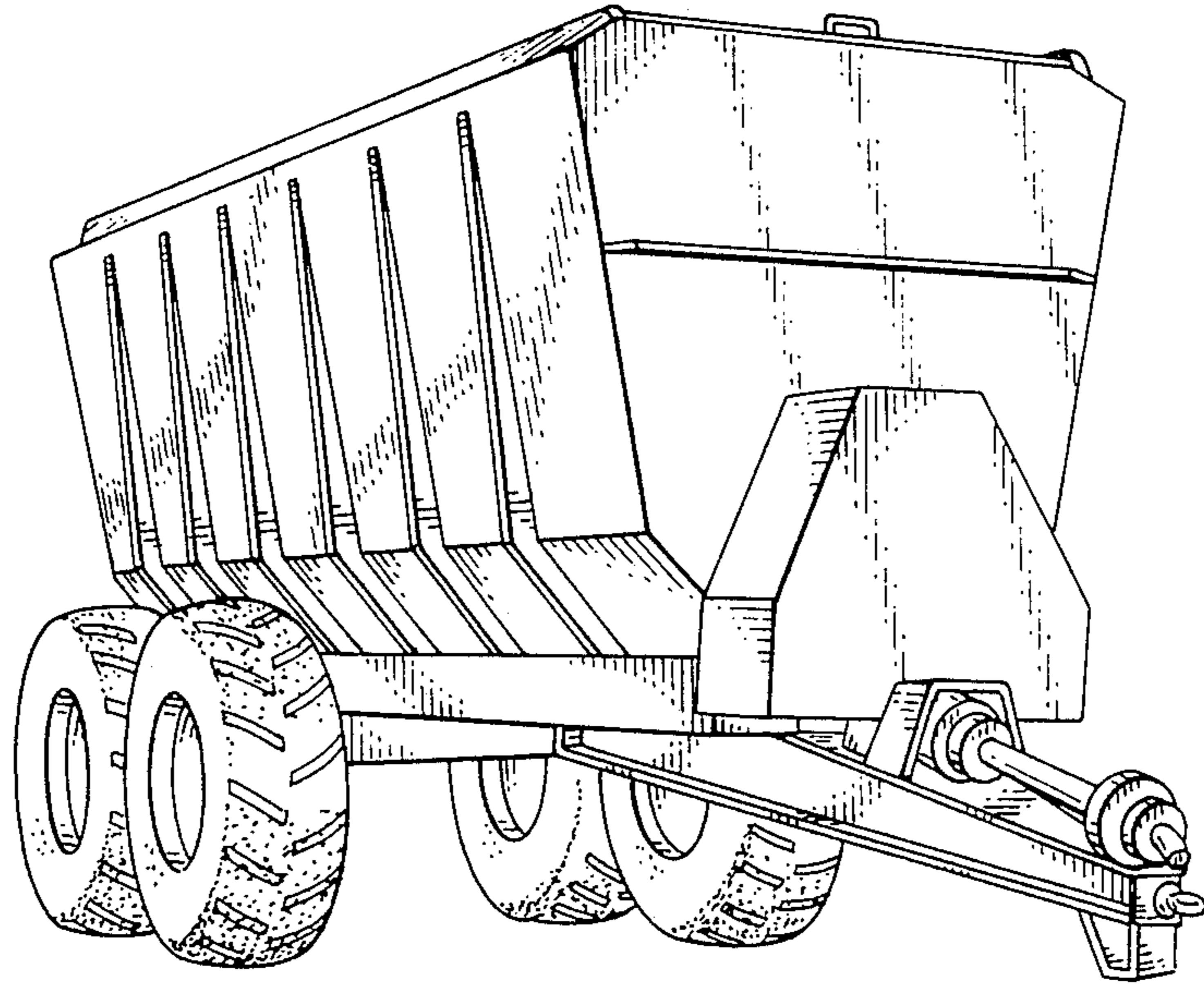


FIG. 3

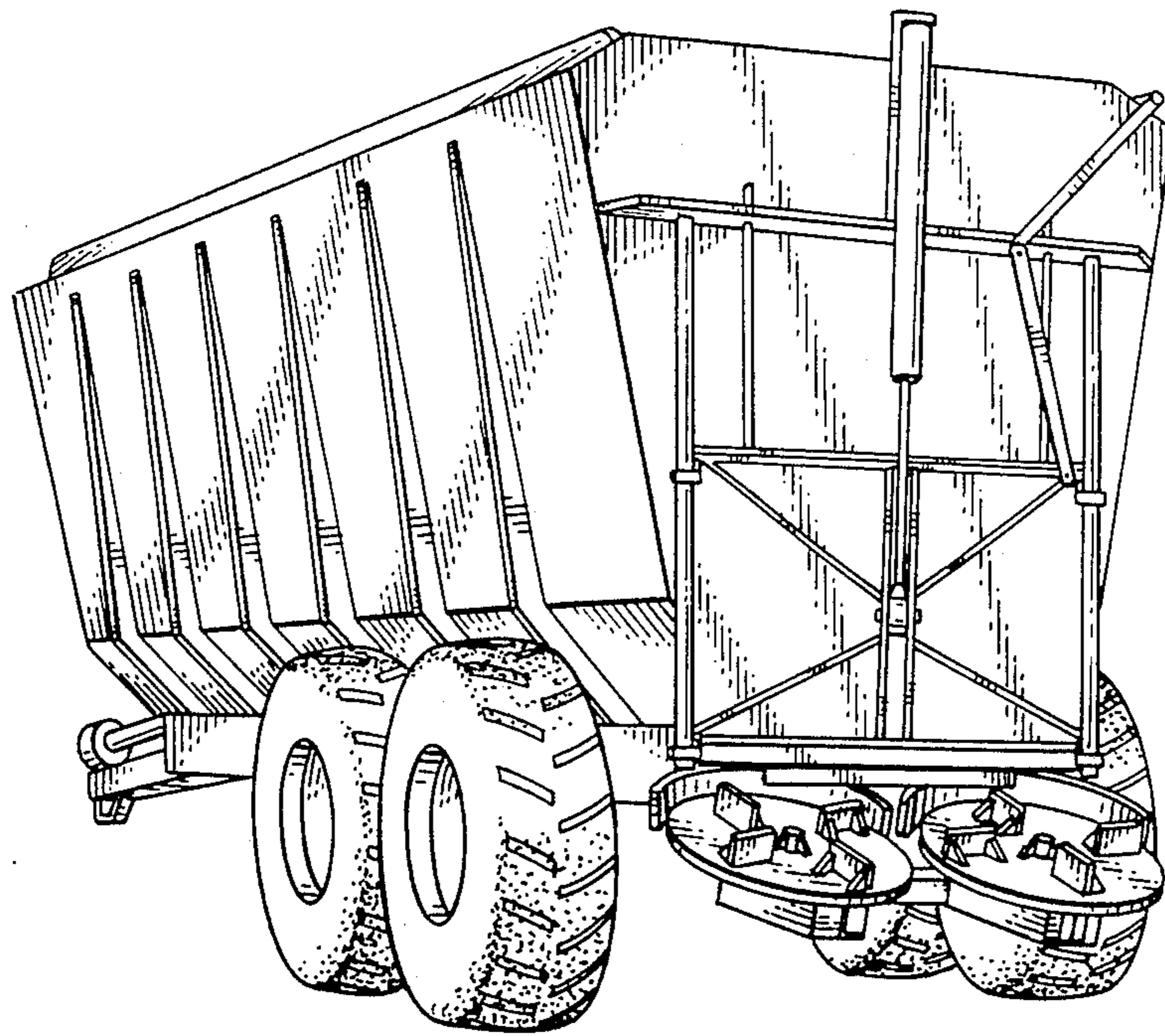


FIG. 4