

# United States Patent [19]

Watson

[11] Patent Number: **Des. 296,779**

[45] Date of Patent: **\*\* Jul. 19, 1988**

[54] COVER CAP FOR EXTENSION CORD

[76] Inventor: **Hercules Watson, 4242 W. 21st Pl., Chicago, Ill. 60623**

[\*\*] Term: **14 Years**

[21] Appl. No.: **747,313**

[22] Filed: **Jun. 21, 1985**

[52] U.S. Cl. .... **D13/24**

[58] Field of Search ..... **D13/24, 28; 439/367, 439/368, 369**

2,444,843	7/1948	Modrey .....	439/369
3,344,393	9/1967	Hendee .....	439/369
3,452,321	6/1969	Carissimi .....	439/369
4,143,934	3/1979	Siebert .....	439/369
4,643,505	2/1987	House et al. ....	439/369

*Primary Examiner*—James M. Gandy  
*Attorney, Agent, or Firm*—W. C. Tupman

## [57] CLAIM

The ornamental design for a cover cap for extension cord, as shown.

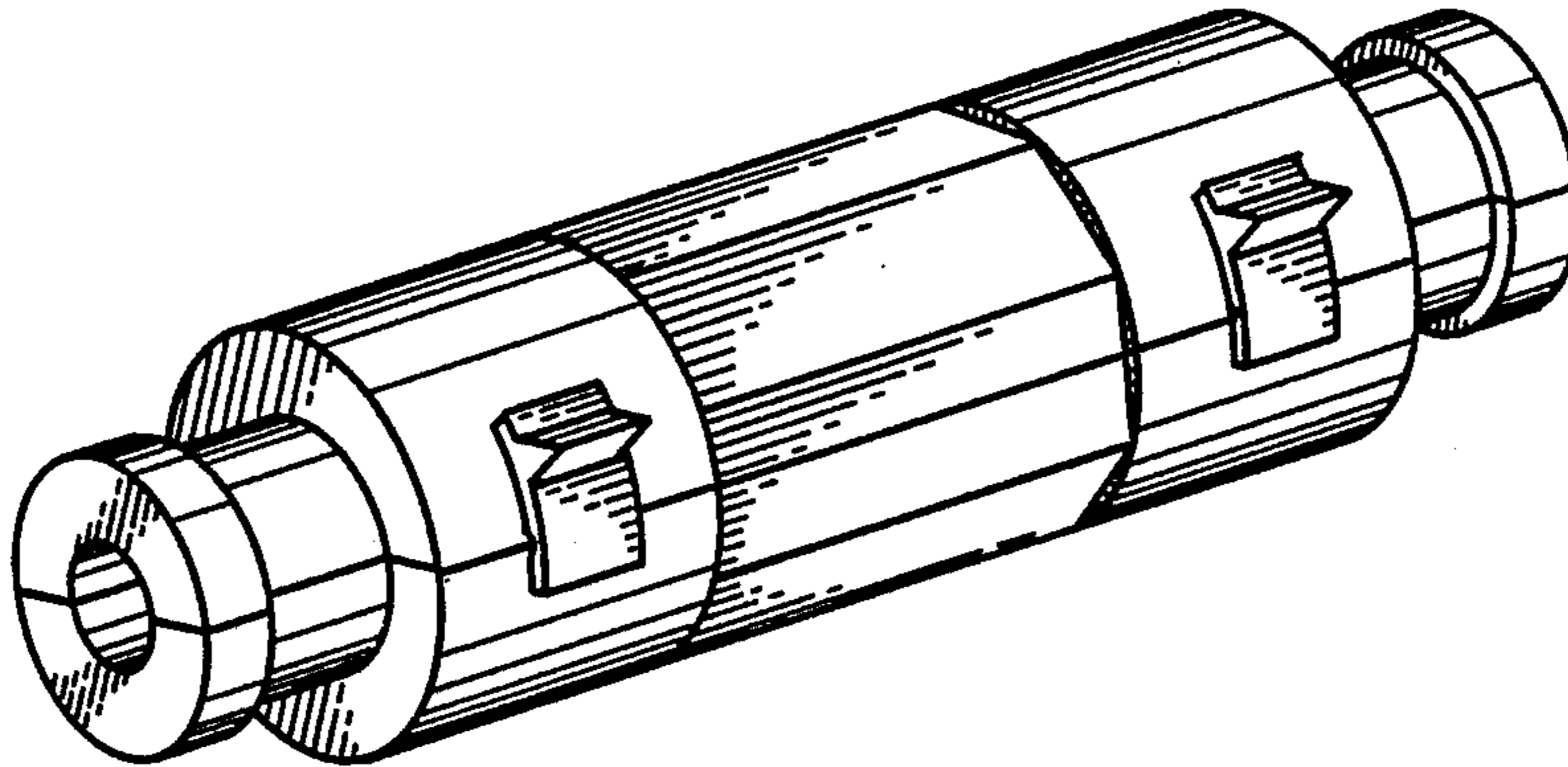
## DESCRIPTION

FIG. 1 is an isometric view of a cover cap for an extension cord showing my new design;  
FIG. 2 is a left end elevation view;  
FIG. 3 is a right end elevation view;  
FIG. 4 is a side elevation view; and  
FIG. 5 is another side elevation view thereof.

## [56] References Cited

### U.S. PATENT DOCUMENTS

D. 204,674	5/1966	Trimble .....	D13/24
D. 231,534	4/1974	Carder .....	D13/24
Des. 242,720	12/1976	Loforese .....	D13/30



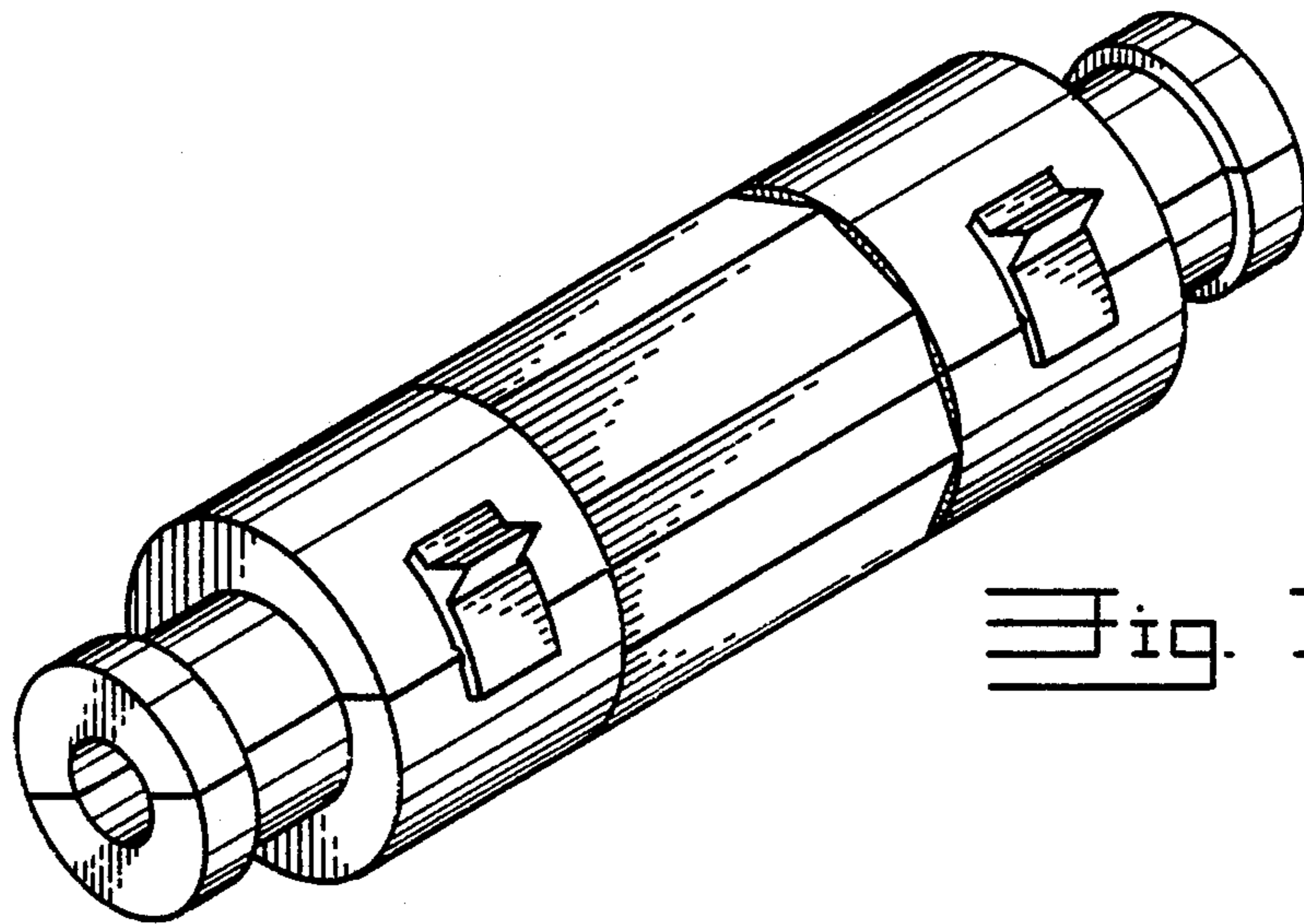


Fig. 1

Fig. 2

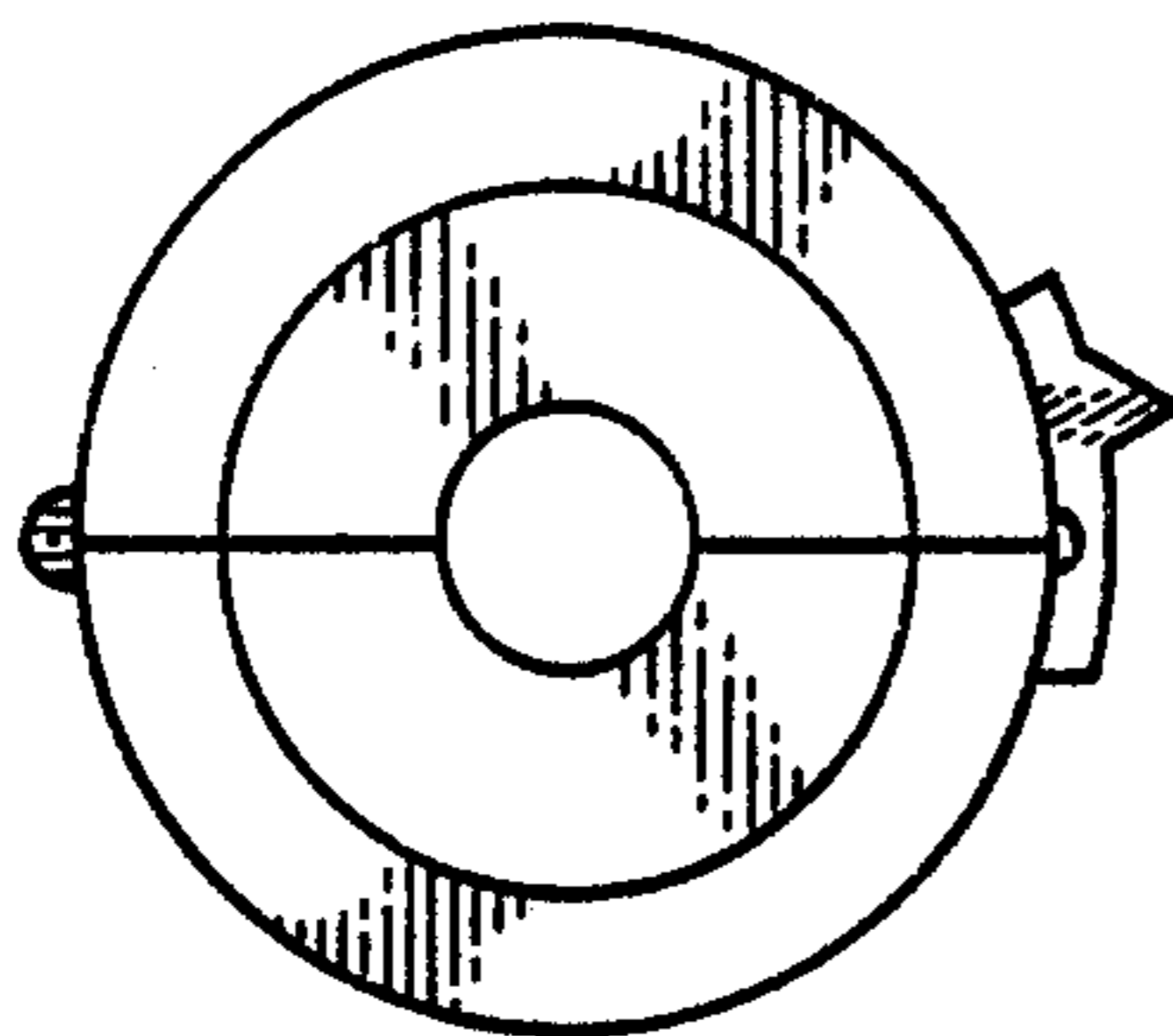


Fig. 3

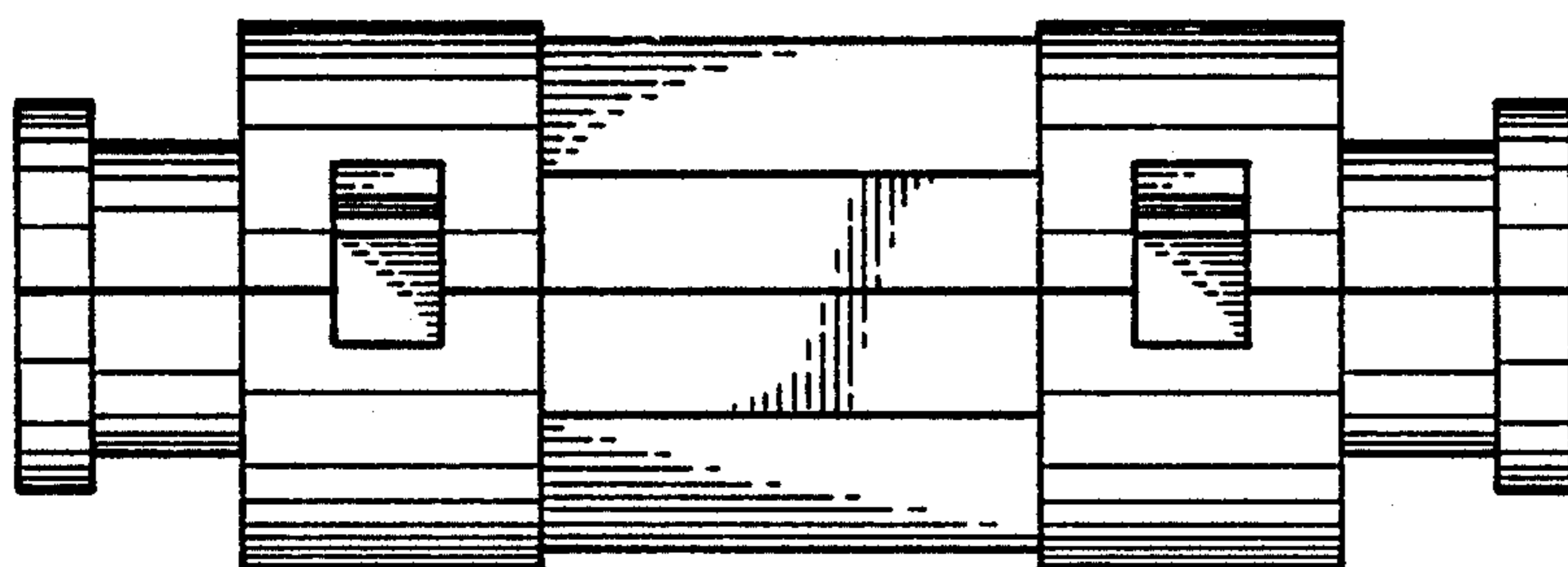
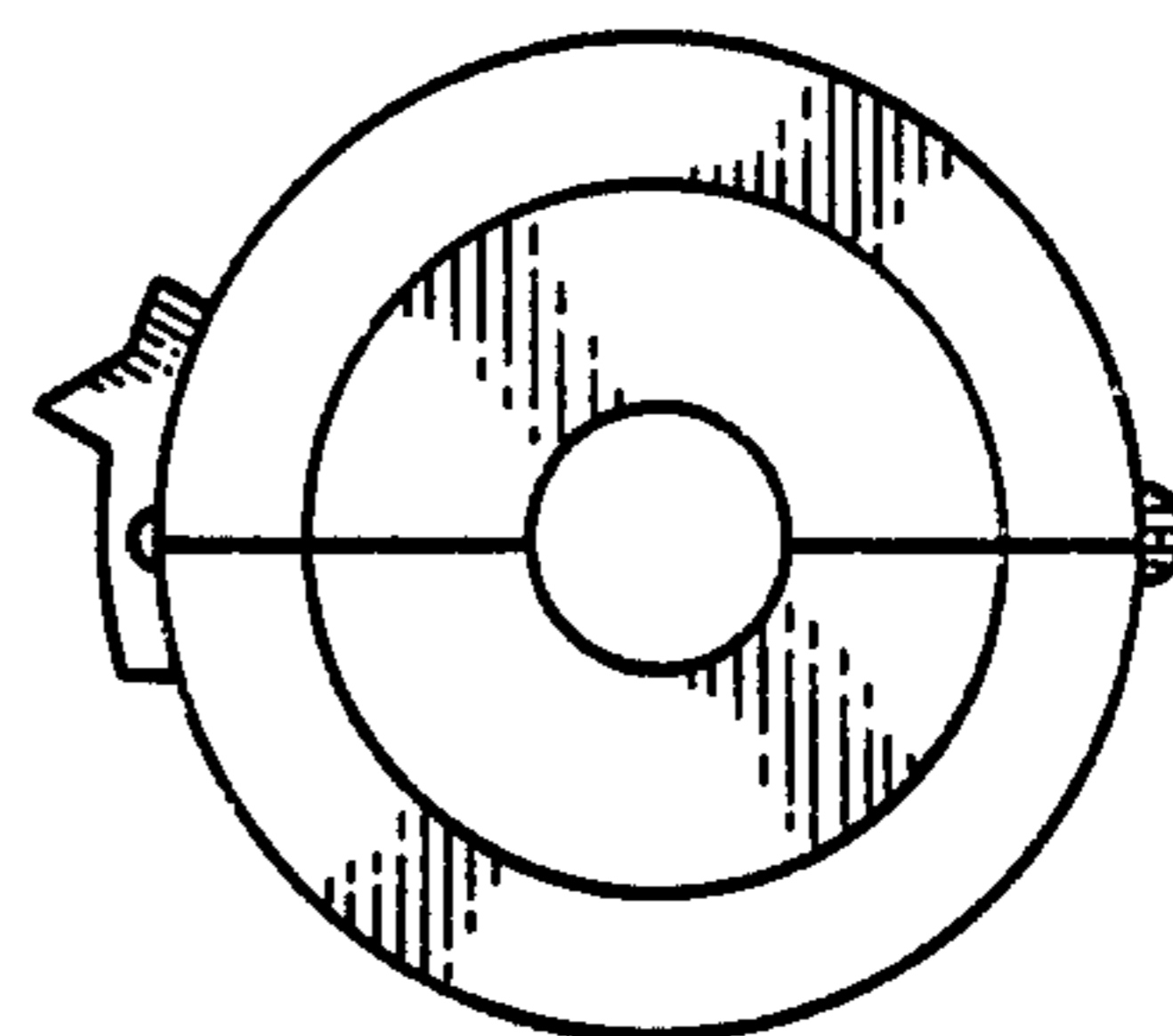


Fig. 4

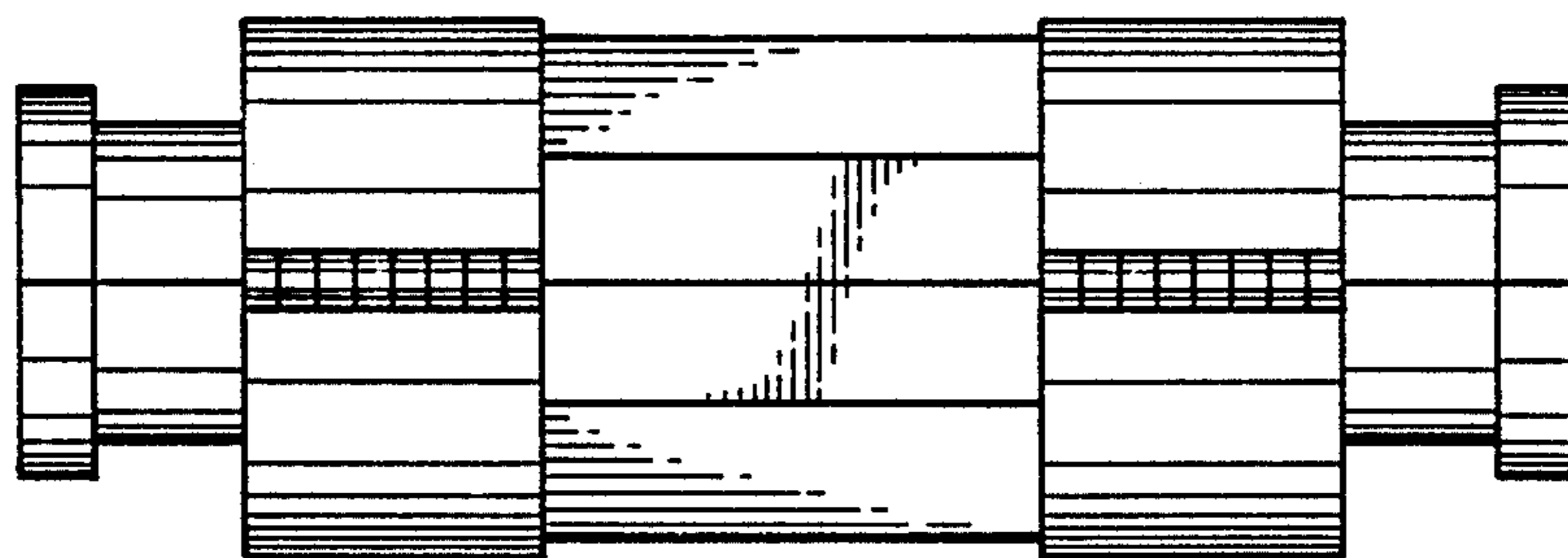


Fig. 5