

[54] **SLOTTED DUAL-CHANNEL HEAT SINK FOR ELECTRONIC DEVICES**

[75] **Inventor: Alfred F. McCarthy, Belmont, N.H.**

[73] **Assignee: Aavid Engineering, Inc., Laconia, N.H.**

[**] **Term: 14 Years**

[21] **Appl. No.: 793,254**

[22] **Filed: Oct. 31, 1985**

[52] **U.S. Cl. D13/23**

[58] **Field of Search D13/23; 174/16 HS; 357/81 R; 165/80.1, 80.2, 80.3**

[56] **References Cited**

U.S. PATENT DOCUMENTS

- | | | | | |
|------------|---------|------------|-------|--------|
| D. 260,388 | 8/1981 | Kennington | | D13/23 |
| D. 280,811 | 10/1985 | Moore | | D13/23 |
| D. 285,193 | 8/1986 | Moore | | D13/23 |

OTHER PUBLICATIONS

Allied Electronics Catalog, 1981, p. 25, Heat Sink #6038, top, left.

Primary Examiner—Susan J. Lucas
Attorney, Agent, or Firm—James E. Mrose

[57] **CLAIM**

The ornamental design for a slotted dual-channel heat sink for electronic devices, substantially as shown and described.

DESCRIPTION

FIG. 1 is a perspective view of a slotted dual-channel heat sink for electronic devices showing my new design;
FIG. 2 is a front elevational view thereof;
FIG. 3 is a rear elevational view thereof;
FIG. 4 is a top plan view thereof;
FIG. 5 is a bottom plan view thereof; and
FIG. 6 is a side elevational view thereof, looking toward the left side of the slotted dual-channel heat sink for electronic devices as it is shown in FIGS. 1 and 2, the right side elevational view being a mirror image thereof.

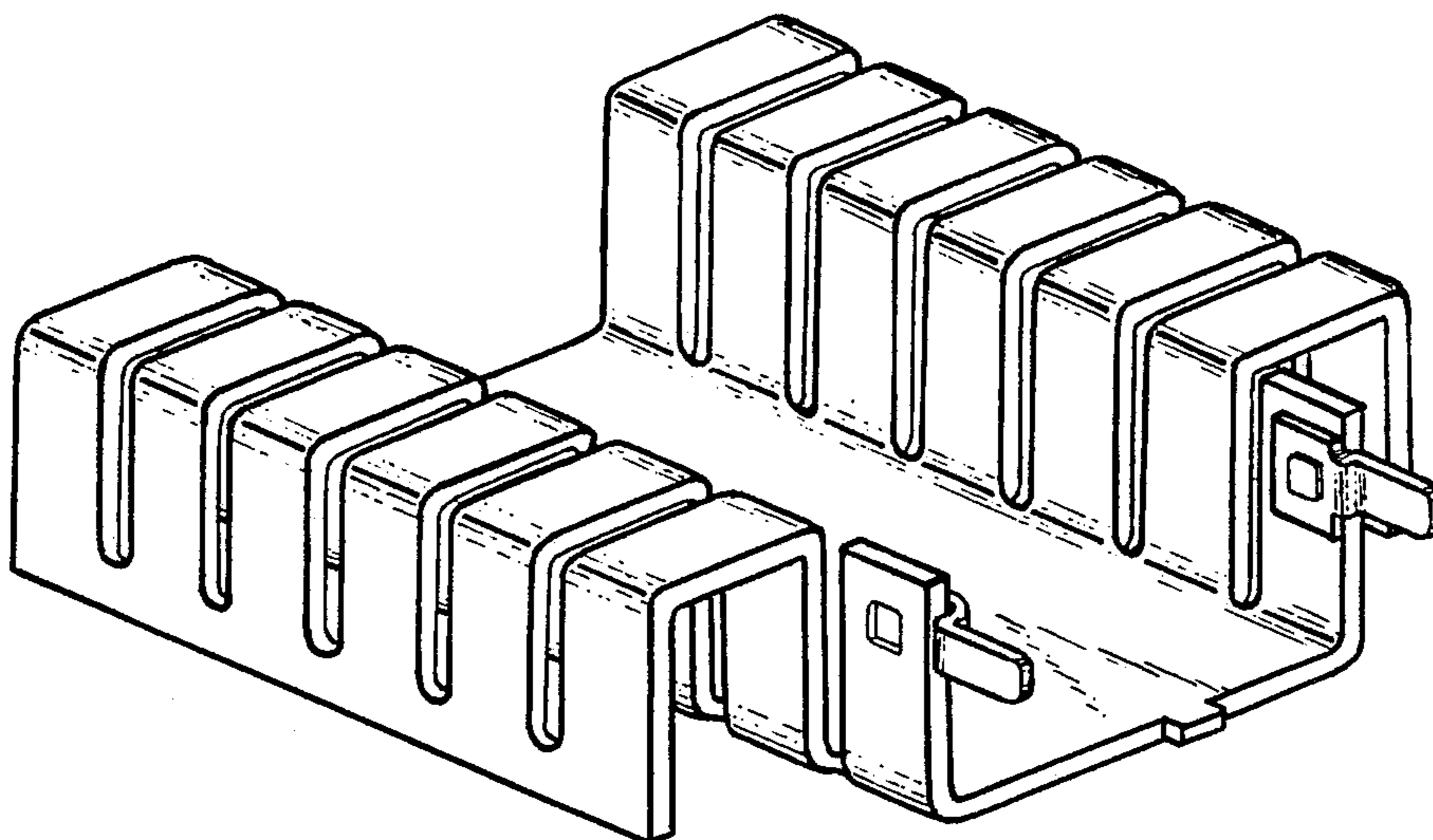


FIG. 1

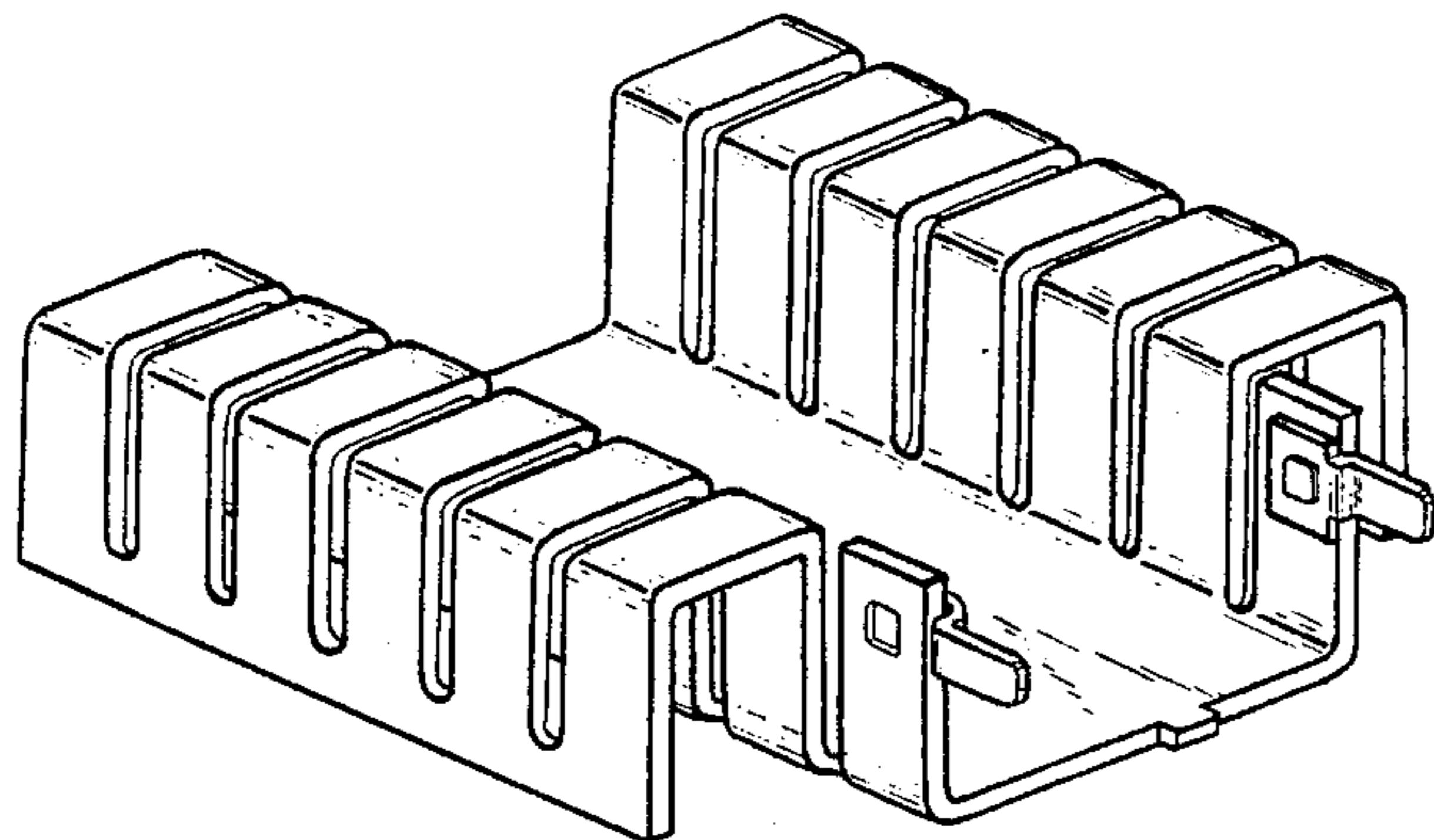


FIG. 2

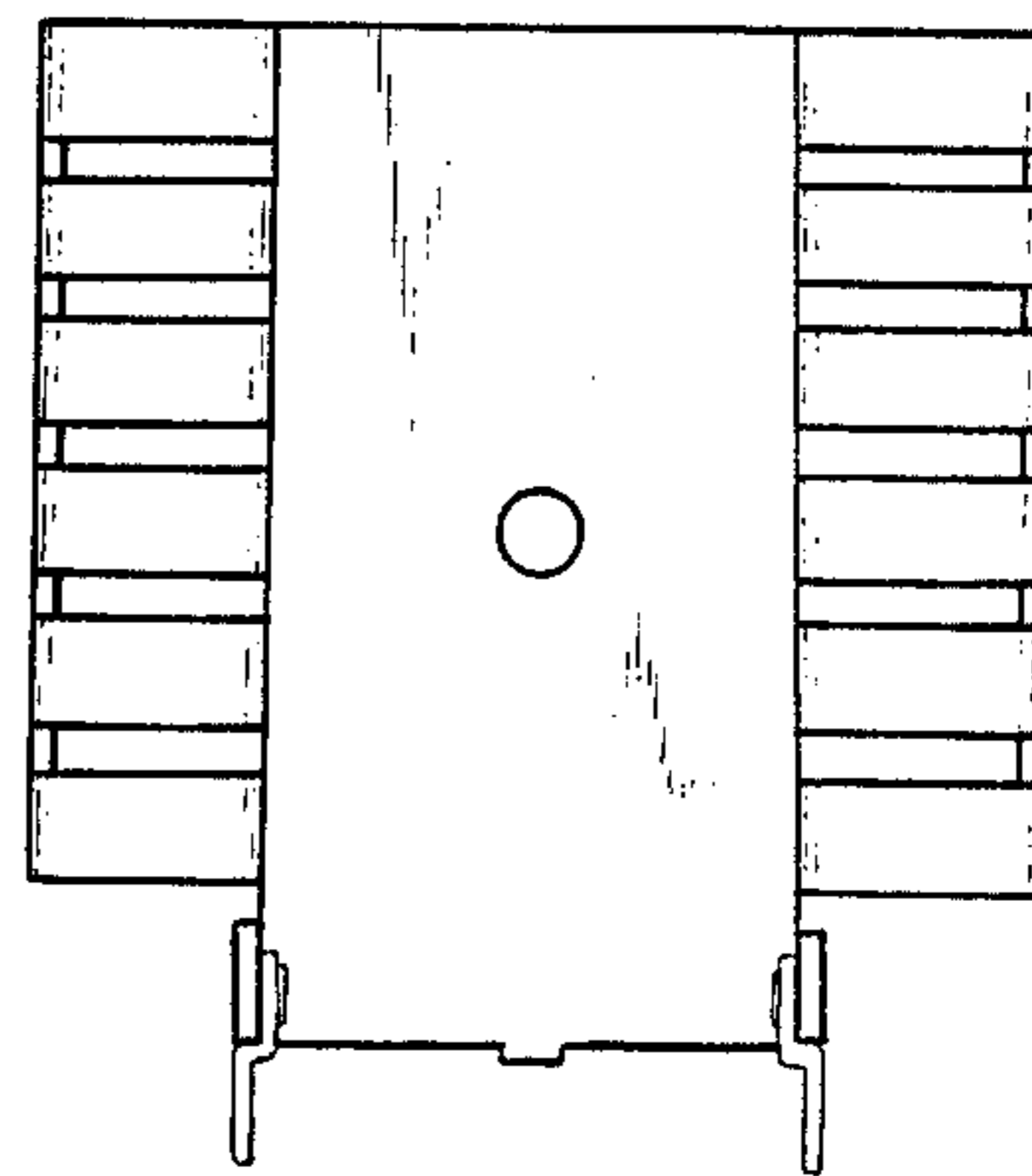


FIG. 3

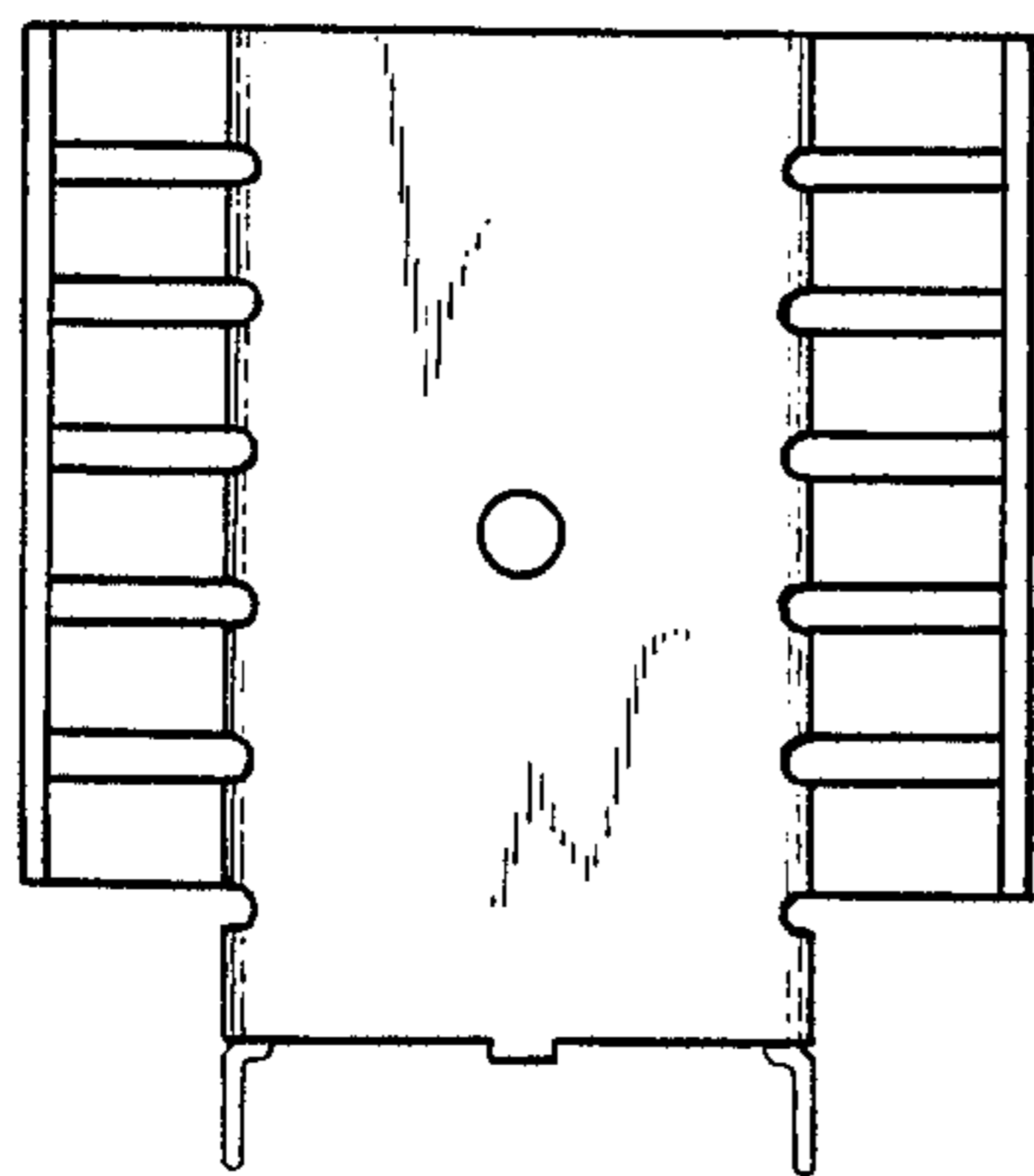


FIG. 4

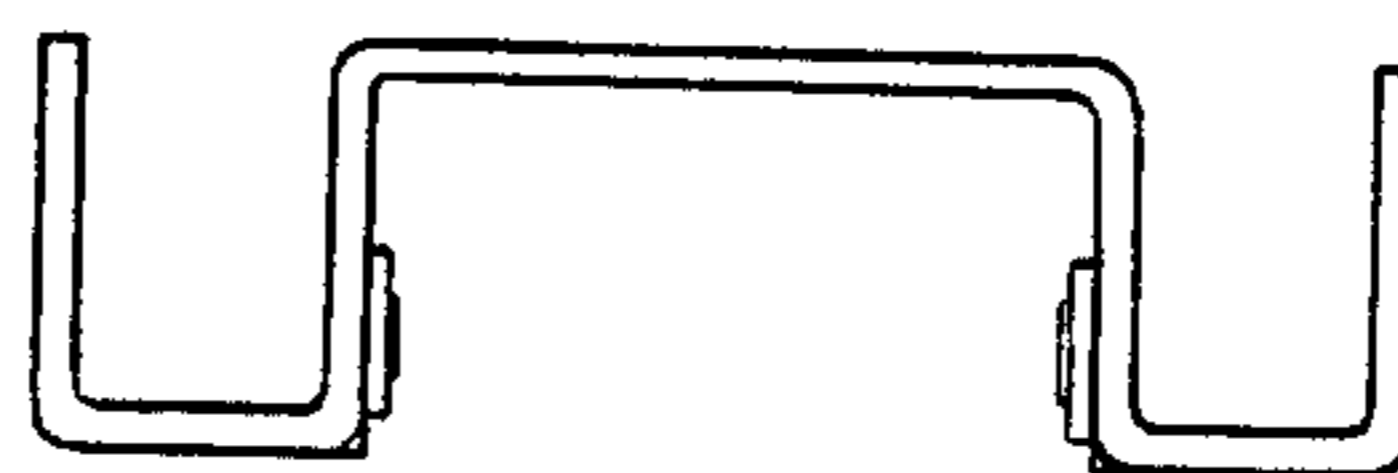


FIG. 5



FIG. 6

