

United States Patent [19]

Armstrong

[11] Patent Number: **Des. 296,774**

[45] Date of Patent: **** Jul. 19, 1988**

[54] **EXERCISE TRICYCLE**

[75] Inventor: **Timothy O. Armstrong, Bellevue, Wash.**

[73] Assignee: **Venture International Products, Inc., Yakima, Wash.**

[**] Term: **14 Years**

[21] Appl. No.: **808,299**

[22] Filed: **Dec. 12, 1985**

[52] U.S. Cl. **D12/112; D21/191**

[58] Field of Search **D12/112, 113; D21/191-199; 280/62, 200, 233, 263, 270**

[56] **References Cited**

U.S. PATENT DOCUMENTS

- D. 139,802 12/1944 Hanscom D12/112
- D. 145,660 10/1946 Culler D12/112
- D. 183,793 10/1958 Gadiel D12/112

- 2,158,618 5/1939 Dobrowolski D12/112
- 3,264,011 8/1966 Ryan D12/112
- 3,905,618 9/1975 Miranda D12/112

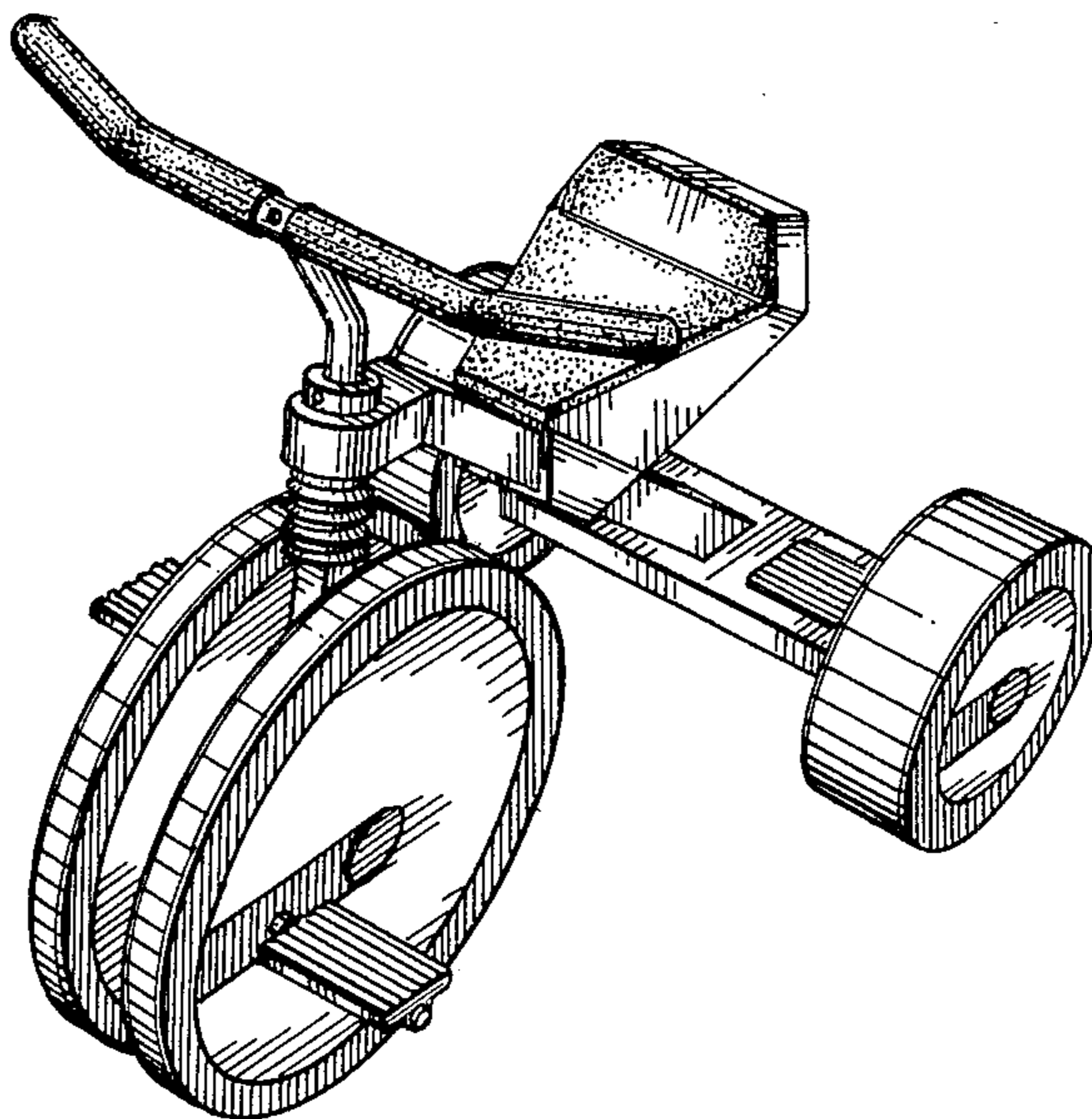
Primary Examiner—Charles A. Rademaker
Attorney, Agent, or Firm—Graybeal, Jensen & Puntigam

[57] **CLAIM**

The ornamental design for an exercise tricycle, substantially as shown and described.

DESCRIPTION

FIG. 1 is a perspective view of an exercise tricycle, showing my new design.
FIG. 2 is a side elevational view thereof, the opposite side being a mirror image.
FIG. 3 is a top plan view thereof.
FIG. 4 is a bottom view thereof.
FIG. 5 is a front end elevational view thereof.
FIG. 6 is a rear end elevational view thereof.
FIG. 7 is a side elevational view of a modified embodiment of the design shown in FIGS. 1 through 6.



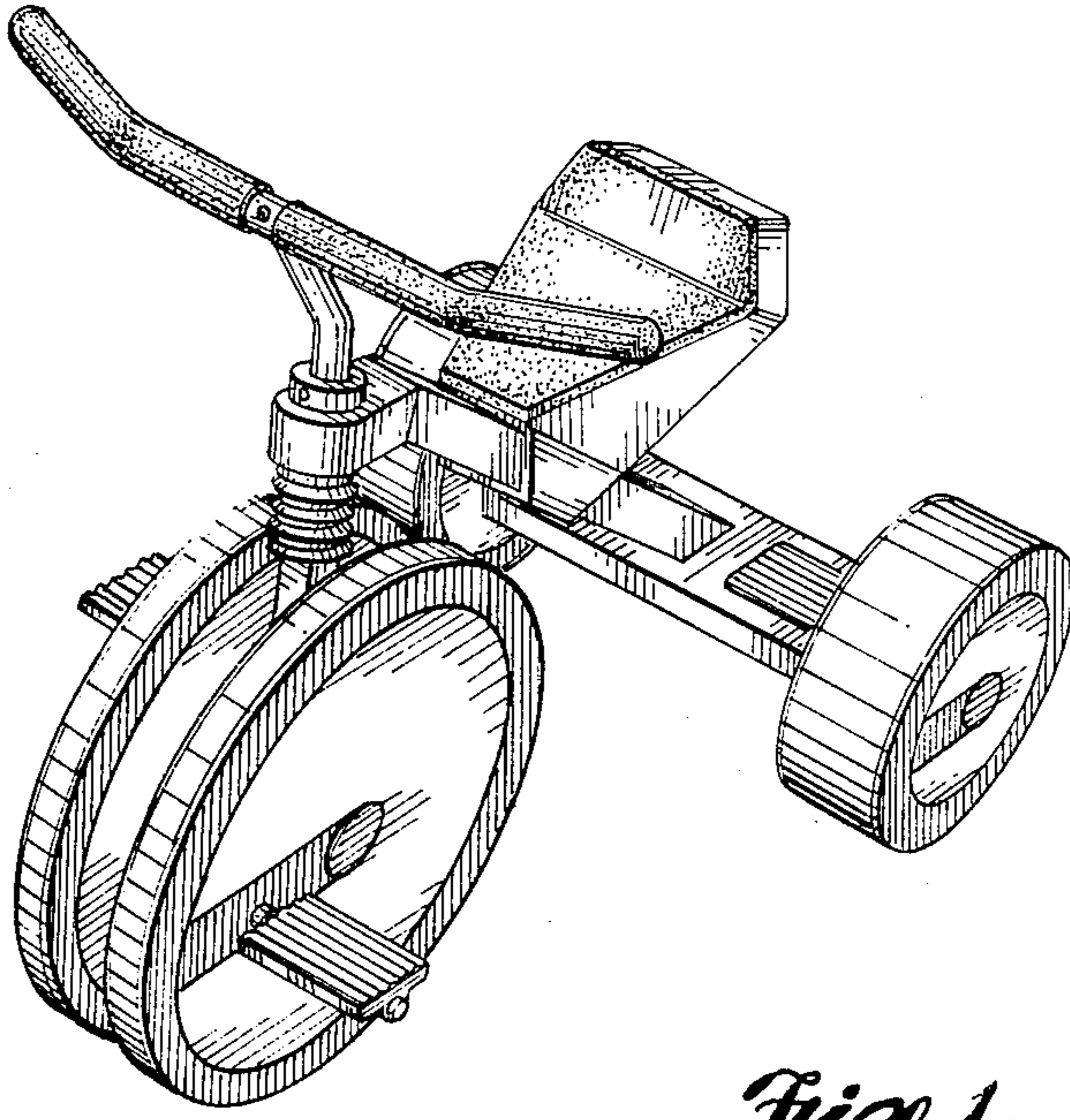


Fig. 1.

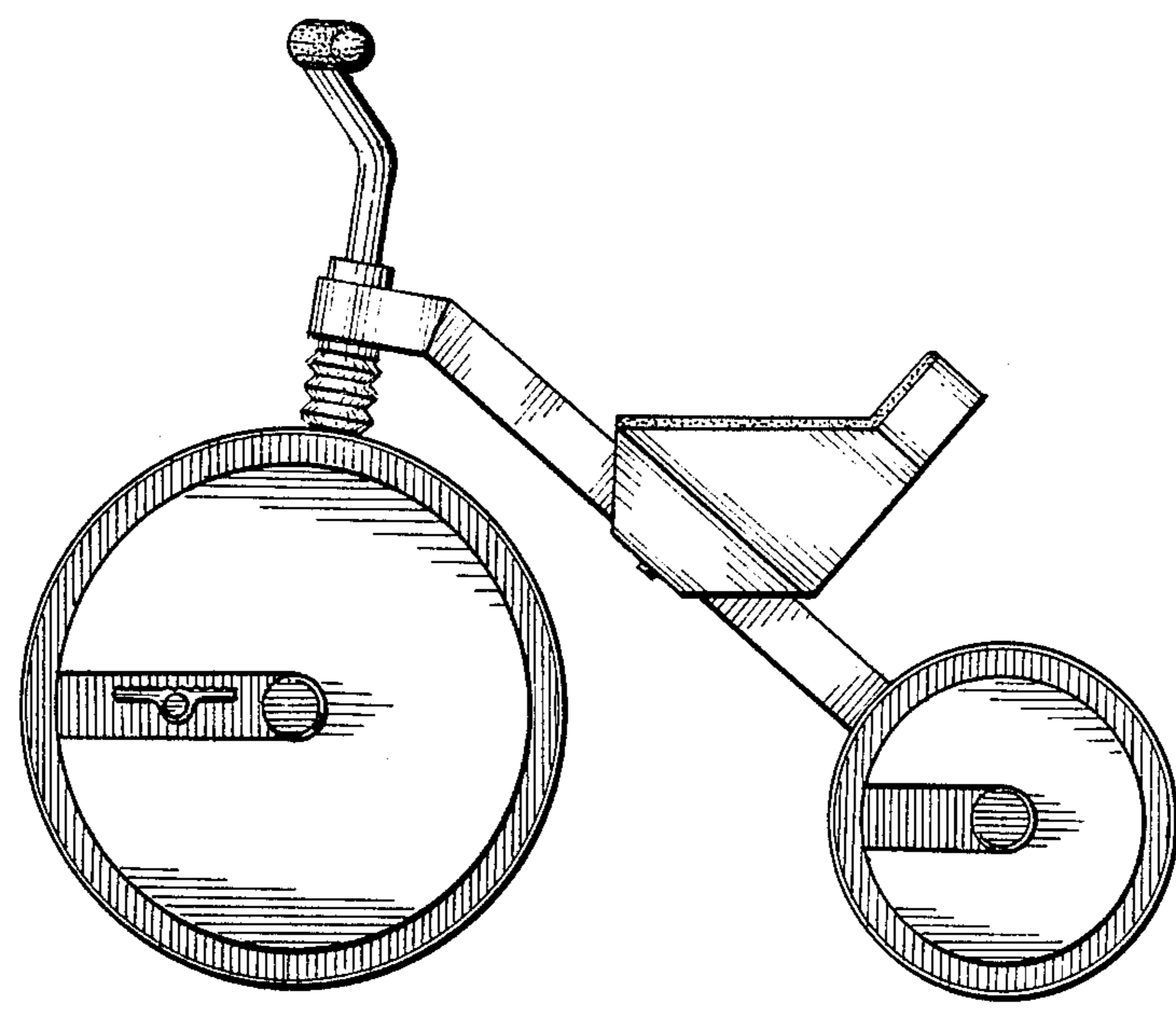


Fig. 2.

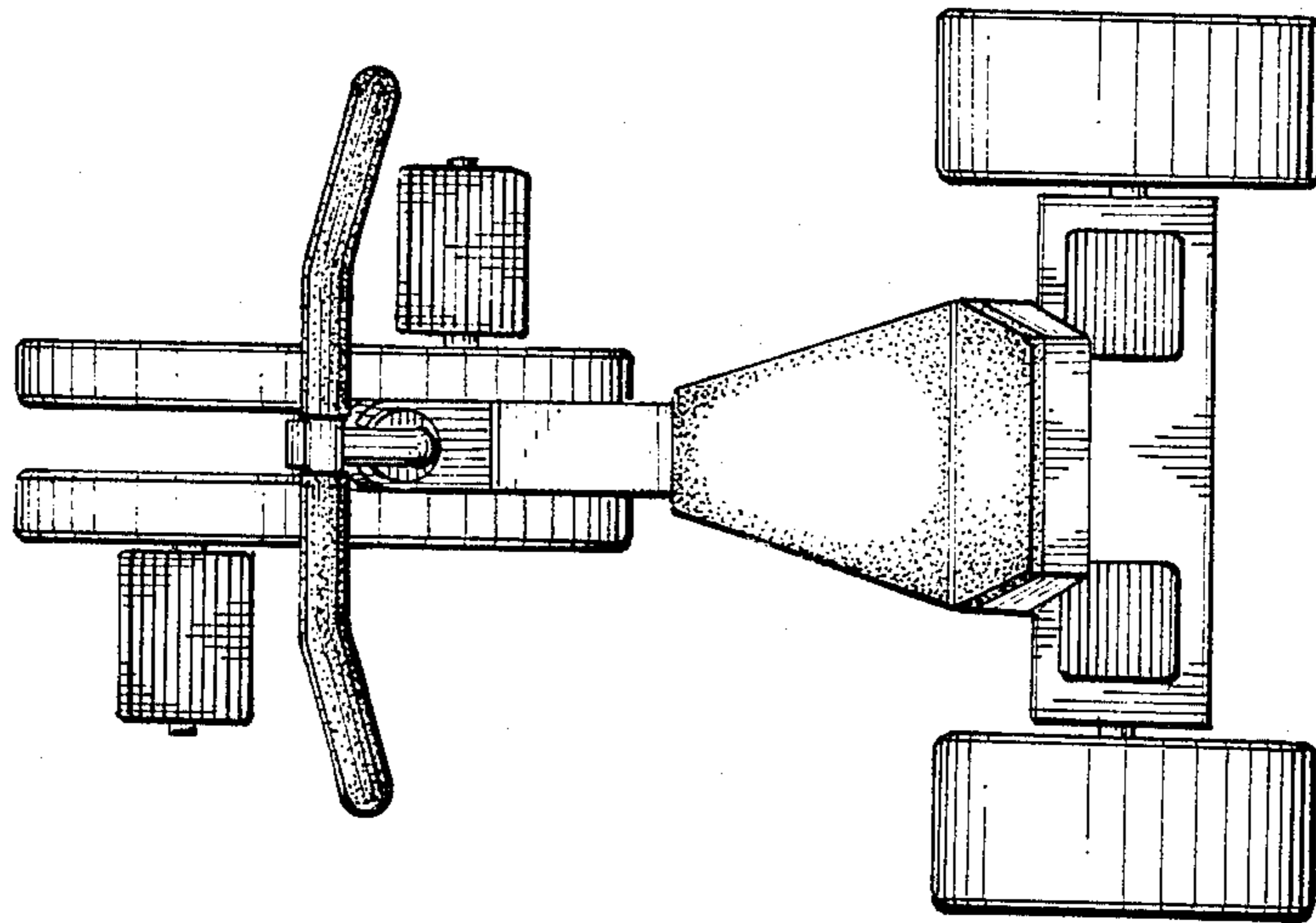


Fig. 3.

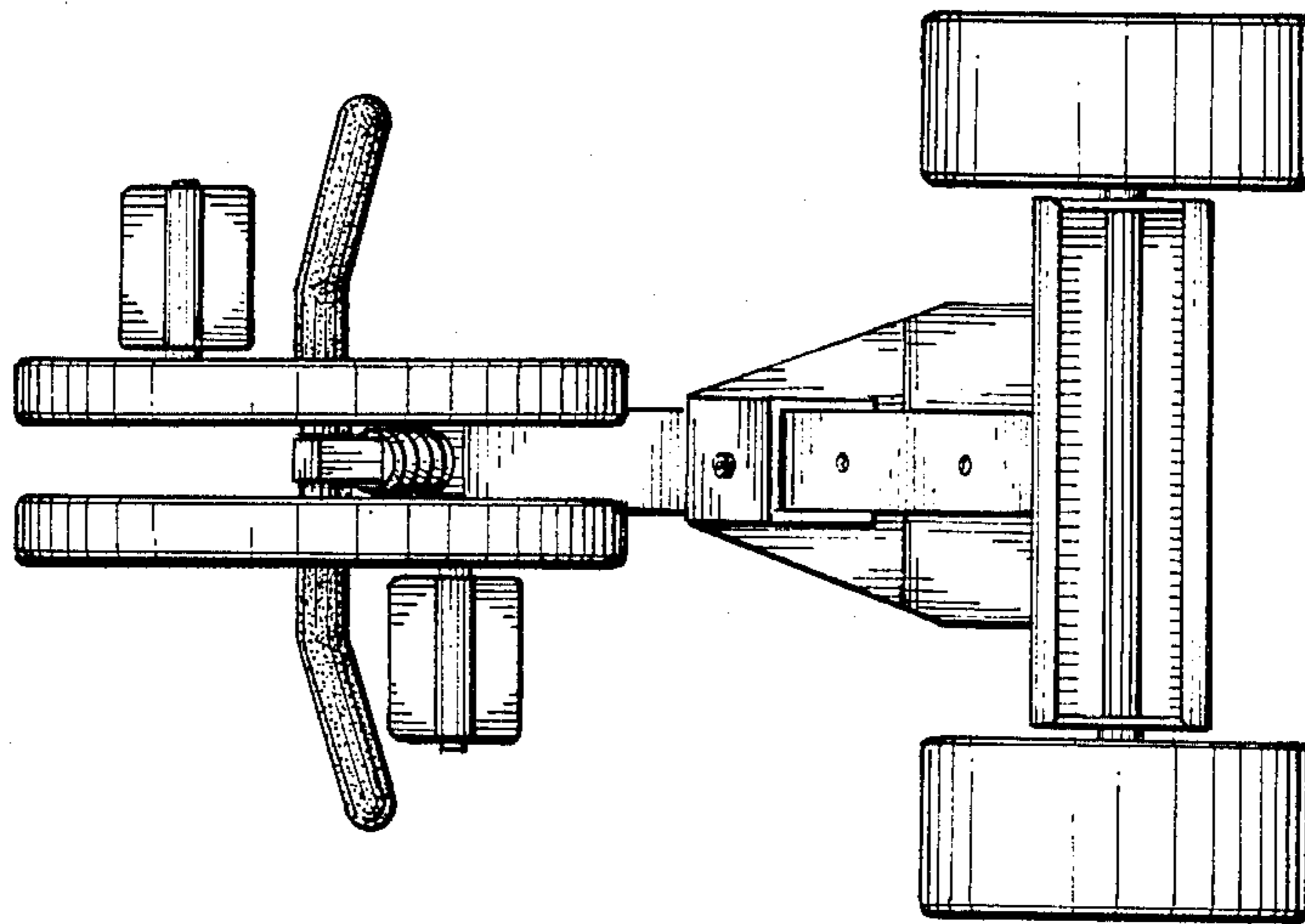


Fig. 4.

Fig. 5.

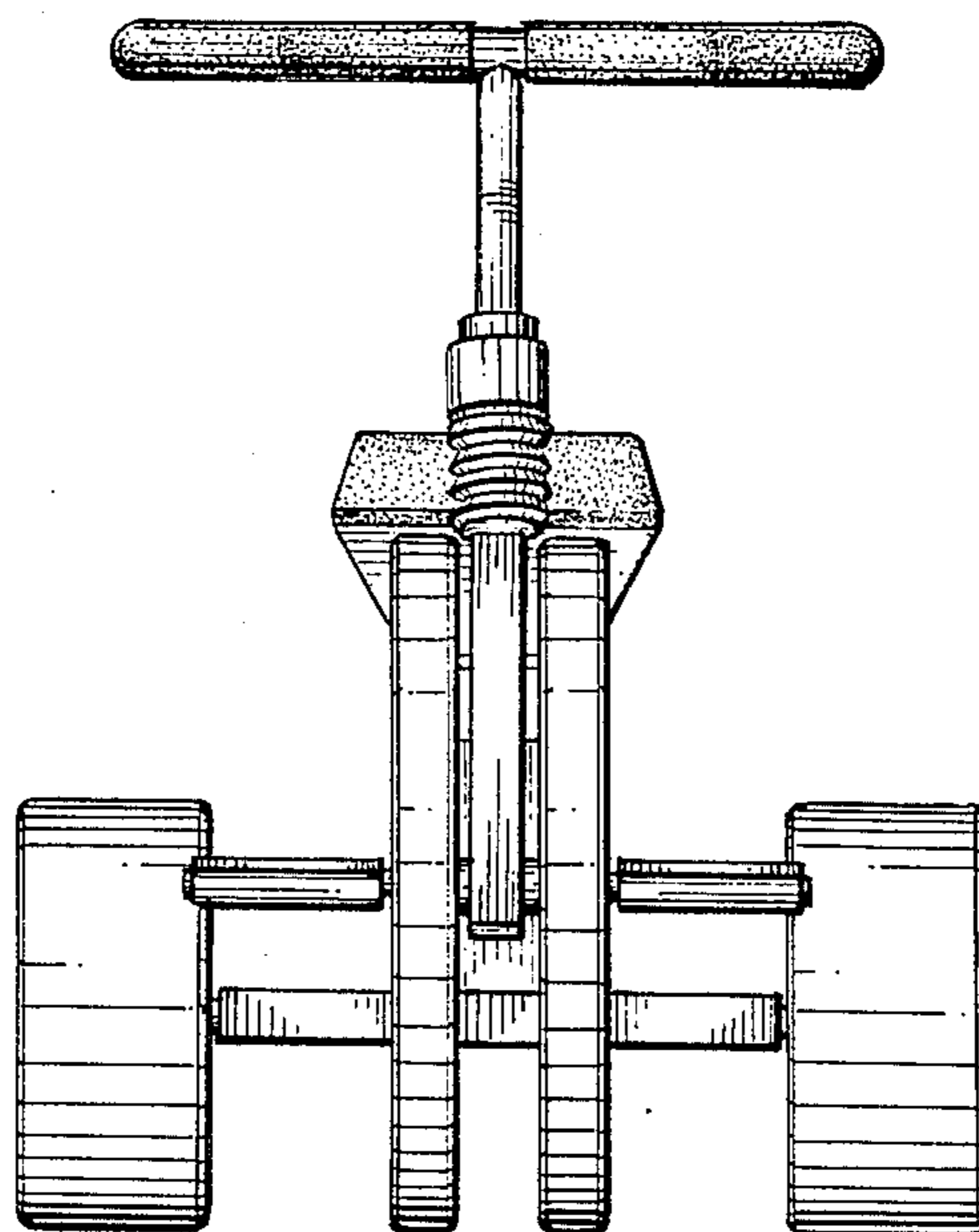
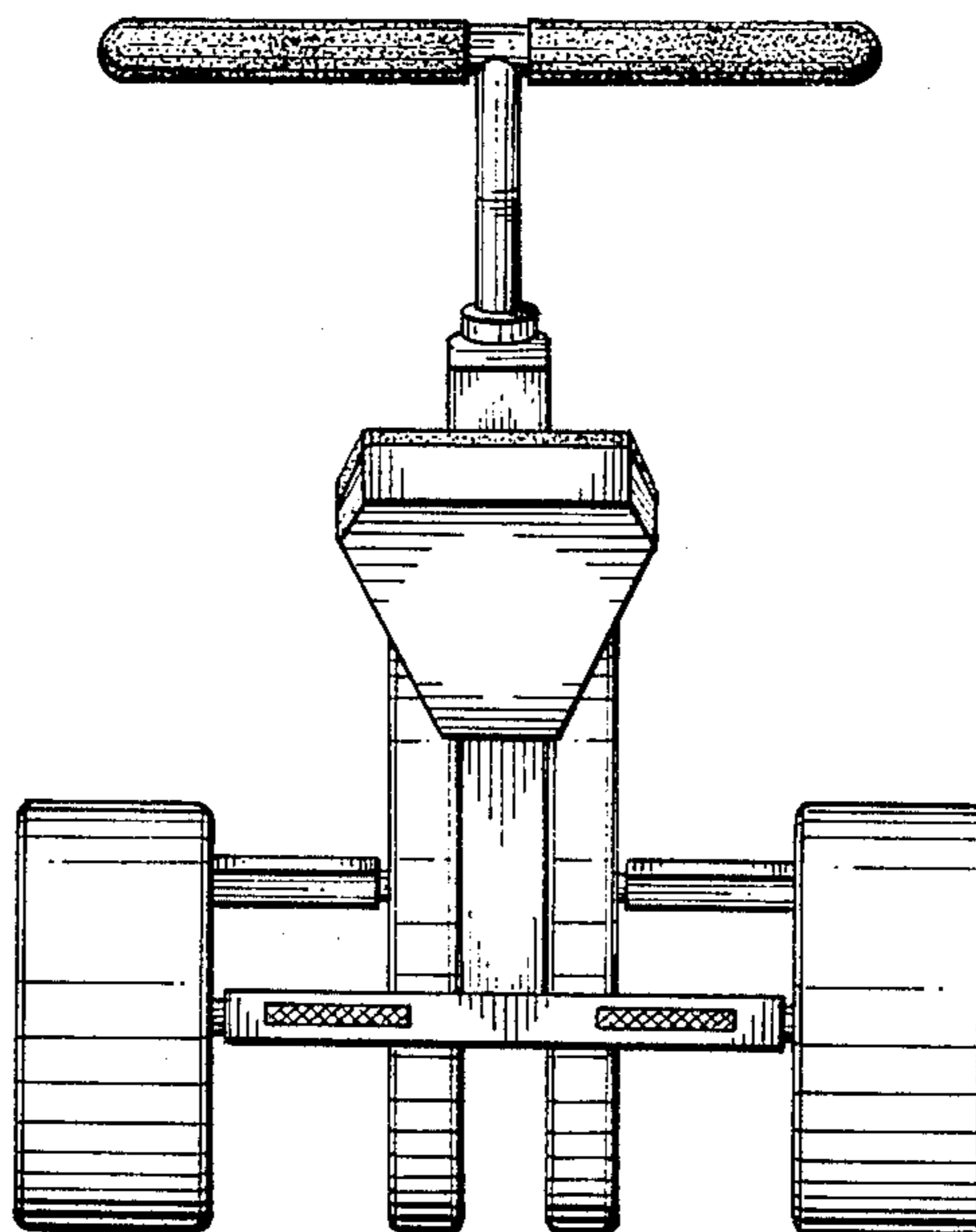


Fig. 6.



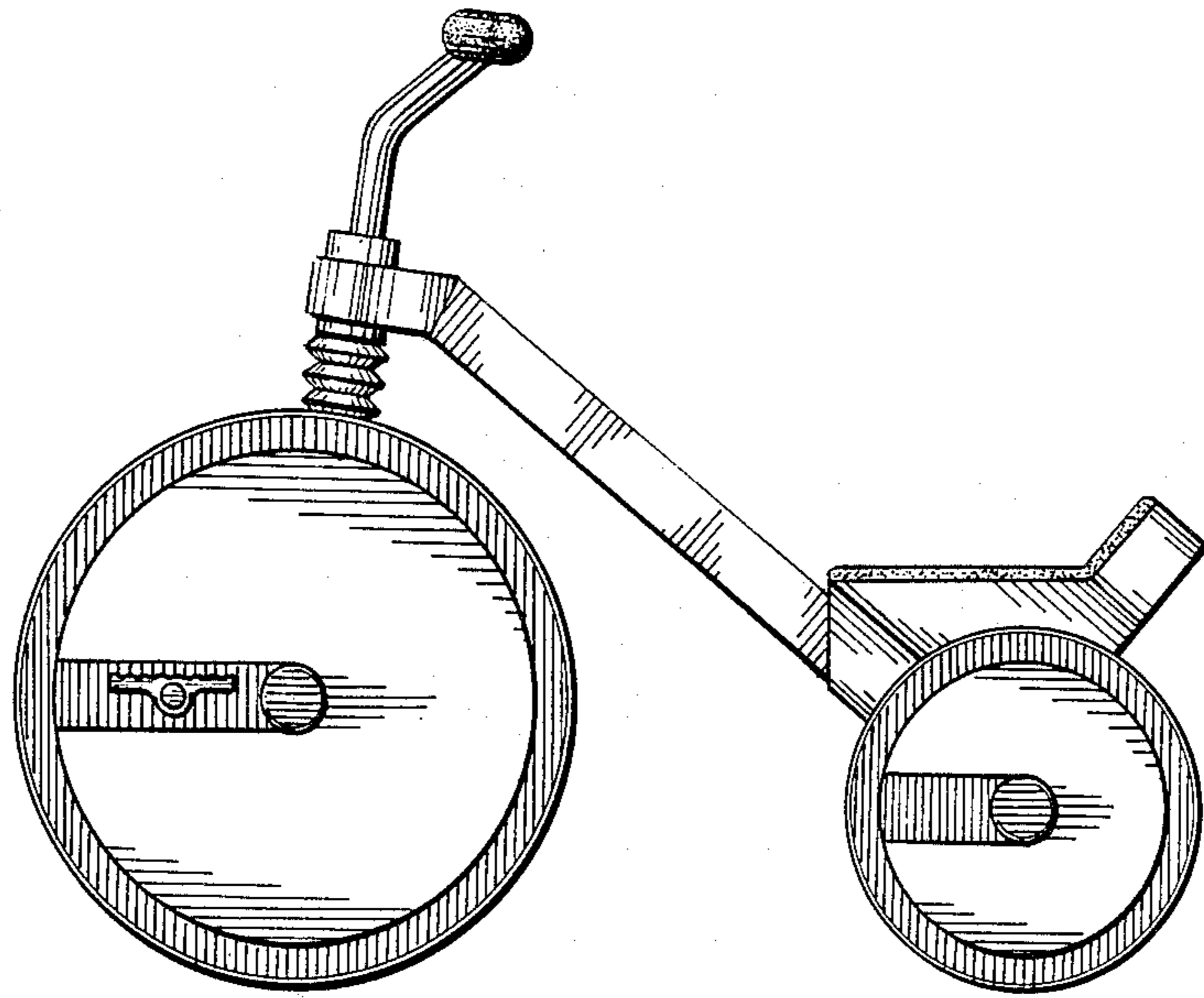


Fig. 7.